

US00D529364S

(12) **United States Design Patent** (10) **Patent No.:** **US D529,364 S**  
**Yale** (45) **Date of Patent:** **\*\* Oct. 3, 2006**

(54) **HANDLE FOR A FOLDING HAND TOOL WITH OPPOSING CHANNELS**

5,743,582 A 4/1998 Rivera  
5,745,997 A 5/1998 Berg et al.

(Continued)

(75) Inventor: **Melissa C. Yale**, Portland, OR (US)

FOREIGN PATENT DOCUMENTS

(73) Assignee: **Leatherman Tool Group, Inc.**,  
Portland, OR (US)

EP 0783937 A2 11/1996

(\*\*) Term: **14 Years**

OTHER PUBLICATIONS

(21) Appl. No.: **29/220,922**

(22) Filed: **Jan. 7, 2005**

(51) **LOC (8) Cl.** ..... **08-05**

(52) **U.S. Cl.** ..... **D8/105; D8/107**

(58) **Field of Classification Search** ..... 7/158,  
7/128-129, 168, 142, 118-119, 125-135,  
7/163-166; 16/425, 110.1; D8/105-107,  
D8/54-56, 99; 30/155, 255, 160-161; 81/427.5,  
81/416, 440

See application file for complete search history.

U.S. Appl. No. 29/209,072, Rivera.  
U.S. Appl. No. 29/220,870, Yale.  
U.S. Appl. No. 29/220,912, Yale et al.  
U.S. Appl. No. 29/220,911, Tsuda.  
U.S. Appl. No. 29/220,831, Yale.  
U.S. Appl. No. 29/220,871, Yale, et al.  
U.S. Appl. No. 29/220,869, Yale.  
SOG "Paratool" Multipurpose Tool, photocopy of User's  
Guide, at least as early as 1993.  
Leatherman Tool Group, Inc., The Original Leatherman PST  
II, photocopy of brochure, at least as early as Jul. 1995.  
E-Bay Advertisement, "Early 1900s Folding Fisherman's  
Tool MT," Item No. 2153119094, at least as early as Jan. 13,  
2003.

(56) **References Cited**

U.S. PATENT DOCUMENTS

124,566 A 3/1872 Garrick  
254,404 A 2/1882 Story  
3,783,509 A 1/1974 Lake  
4,238,862 A 12/1980 Leatherman  
D304,154 S 10/1989 Osterhout  
4,882,841 A 11/1989 Margolis  
D332,384 S 1/1993 Dague  
5,267,366 A 12/1993 Frazer  
D344,006 S 2/1994 Glesser  
D357,166 S 4/1995 Concari  
D368,634 S 4/1996 Frazer  
5,511,310 A 4/1996 Sessions et al.  
5,564,318 A 10/1996 Pail  
D382,190 S 8/1997 Blackston et al.  
D384,872 S 10/1997 Yeh  
D385,168 S 10/1997 Rivera  
D385,169 S 10/1997 Rivera  
D385,170 S 10/1997 Rivera  
5,697,114 A \* 12/1997 McIntosh et al. .... 7/129  
5,711,194 A 1/1998 Anderson  
D392,519 S 3/1998 Hung

*Primary Examiner*—Pamela Burgess

(74) *Attorney, Agent, or Firm*—Chernoff, Vilhauer,  
McClung & Stenzel, LLP

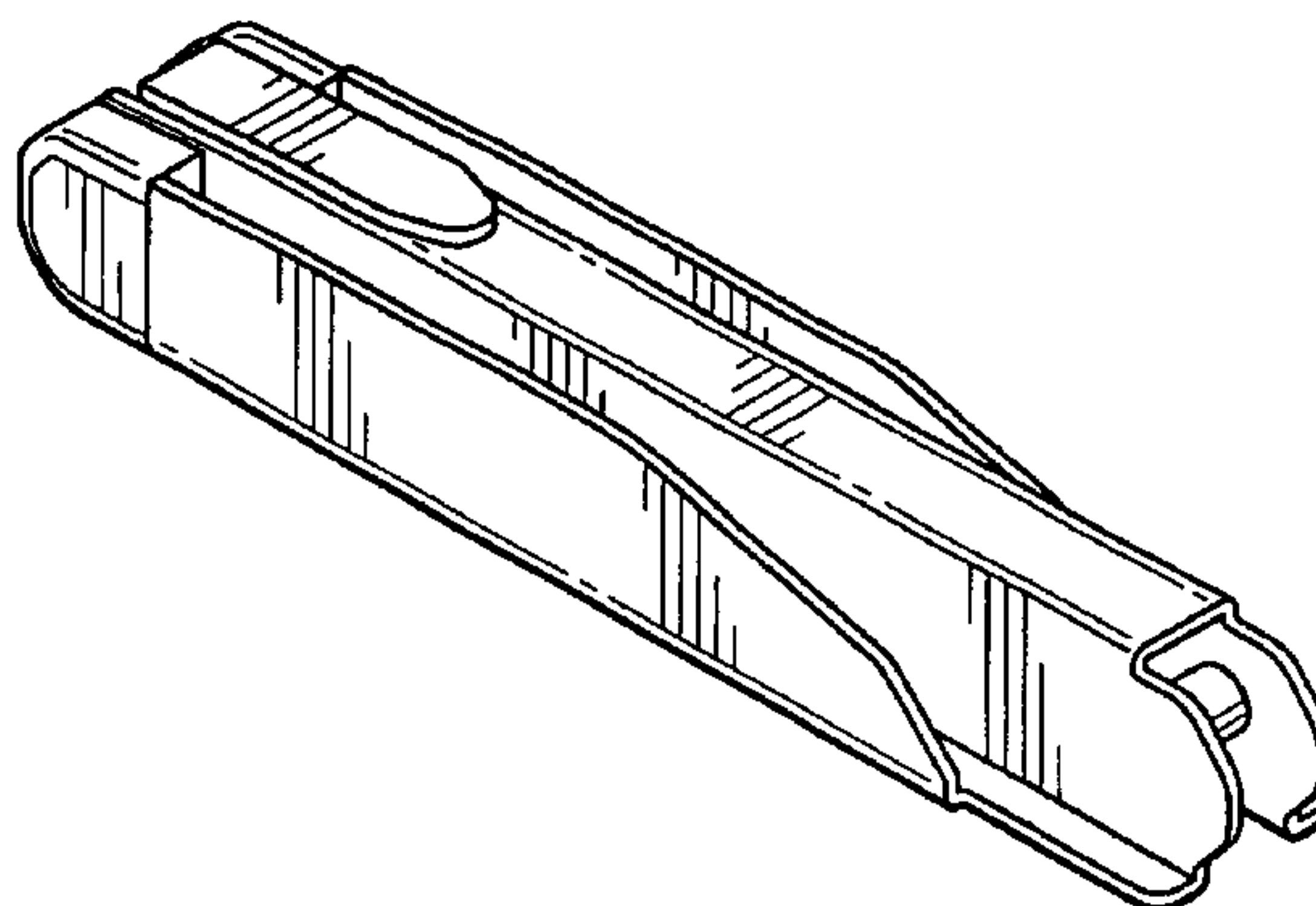
(57) **CLAIM**

The ornamental design for a handle for a folding hand tool  
with opposing channels, as shown and described.

**DESCRIPTION**

FIG. 1. is an isometric view from the upper right front of a  
handle for a folding hand tool with opposing channels,  
showing my new design;  
FIG. 2. is a top plan view thereof;  
FIG. 3 is a right side elevational view thereof;  
FIG. 4 is a bottom plan view thereof;  
FIG. 5 is a left side elevational view thereof;  
FIG. 6 is a front end elevational view thereof; and,  
FIG. 7 is a rear end elevational view thereof.

**1 Claim, 2 Drawing Sheets**



# US D529,364 S

Page 2

U.S. PATENT DOCUMENTS							
D398,209	S	9/1998	Rivera	D447,039	S	8/2001	Rivera
D398,213	S	9/1998	Rivera	D447,041	S	8/2001	Rivera
5,809,599	A	9/1998	Frazer	D447,401	S	9/2001	Rivera
D401,133	S	11/1998	Gardiner et al.	6,282,996	B1	9/2001	Berg et al.
D403,944	S	1/1999	Rivera	6,305,041	B1	10/2001	Montague et al.
D405,675	S	2/1999	Rivera	6,318,218	B1	11/2001	Anderson et al.
D405,676	S	2/1999	Rivera	6,389,625	B1	5/2002	Rivera
D406,508	S	3/1999	Rivera	6,408,522	B1	6/2002	Rivera
D406,509	S	3/1999	Rivera	6,412,130	B1	* 7/2002	Kershaw et al. .... 7/129
D407,004	S	3/1999	Hull et al.	6,427,334	B1	8/2002	Onion
D407,622	S	4/1999	Rivera	6,510,767	B1	1/2003	Rivera
D408,238	S	4/1999	Rivera	D470,031	S	2/2003	Rivera
5,978,993	A	11/1999	Rivera	D470,032	S	2/2003	Rivera
D417,601	S	12/1999	Rivera	D470,372	S	2/2003	Rivera
6,003,180	A	12/1999	Frazer	D474,085	S	5/2003	Rivera
6,006,385	A	* 12/1999	Kershaw et al. .... 7/129	D474,670	S	5/2003	Rivera
6,014,787	A	1/2000	Rivera	D479,788	S	9/2003	Ocklenburg
D421,377	S	3/2000	Rivera	6,622,328	B1	9/2003	Rivera
6,038,735	A	* 3/2000	Chang ..... 16/110.1	6,625,832	B1	9/2003	Montague et al.
6,047,426	A	4/2000	McIntosh et al.	D494,032	S	8/2004	Rivera
D426,446	S	6/2000	Chau	D496,846	S	10/2004	Rivera et al.
D426,447	S	6/2000	Chau	D496,847	S	10/2004	Rivera et al.
D427,501	S	7/2000	Rivera et al.	D497,093	S	10/2004	Rivera et al.
D429,131	S	8/2000	Rivera	D497,094	S	10/2004	Rivera et al.
D429,132	S	8/2000	Rivera	D497,095	S	10/2004	Rivera et al.
D429,616	S	8/2000	Rivera	D497,096	S	10/2004	Rivera et al.
6,128,805	A	10/2000	Rivera	D497,532	S	10/2004	Rivera et al.
D433,902	S	11/2000	Rivera	D497,790	S	11/2004	Rivera et al.
D435,776	S	1/2001	Veltz et al.	D497,791	S	11/2004	Rivera et al.
D436,514	S	1/2001	Rivera	D499,621	S	12/2004	Tsuda
6,216,301	B1	4/2001	Rivera	D499,622	S	12/2004	Rivera et al.
6,226,822	B1	5/2001	Chen	D501,127	S	1/2005	Rivera et al.
D445,009	S	7/2001	Rivera	2003/0192128	A1	10/2003	Rivera
D446,708	S	8/2001	Rivera	2004/0003472	A1	1/2004	Dallas et al.
D446,709	S	8/2001	Rivera	2004/0019973	A1	2/2004	Rivera

\* cited by examiner

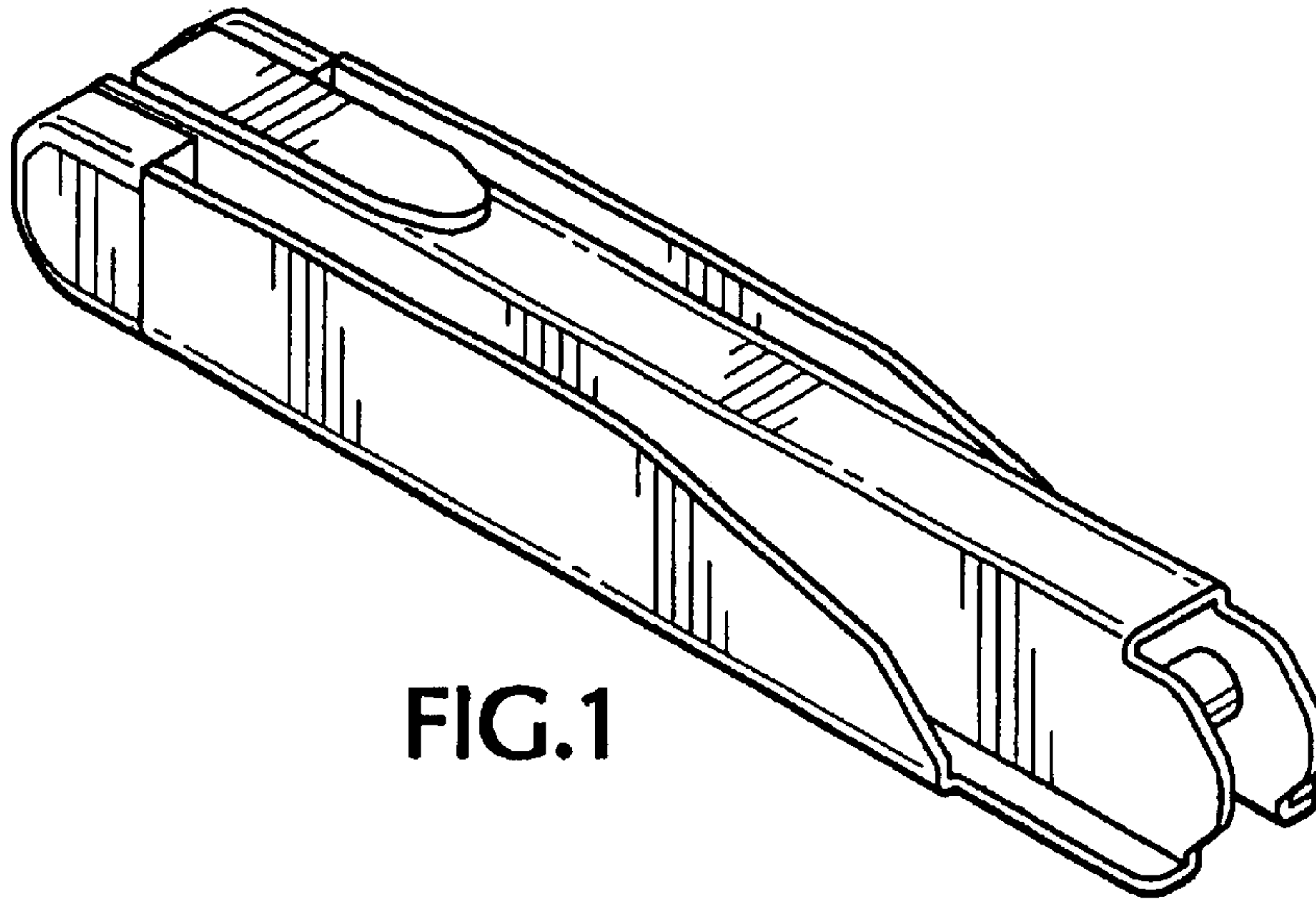


FIG. 1

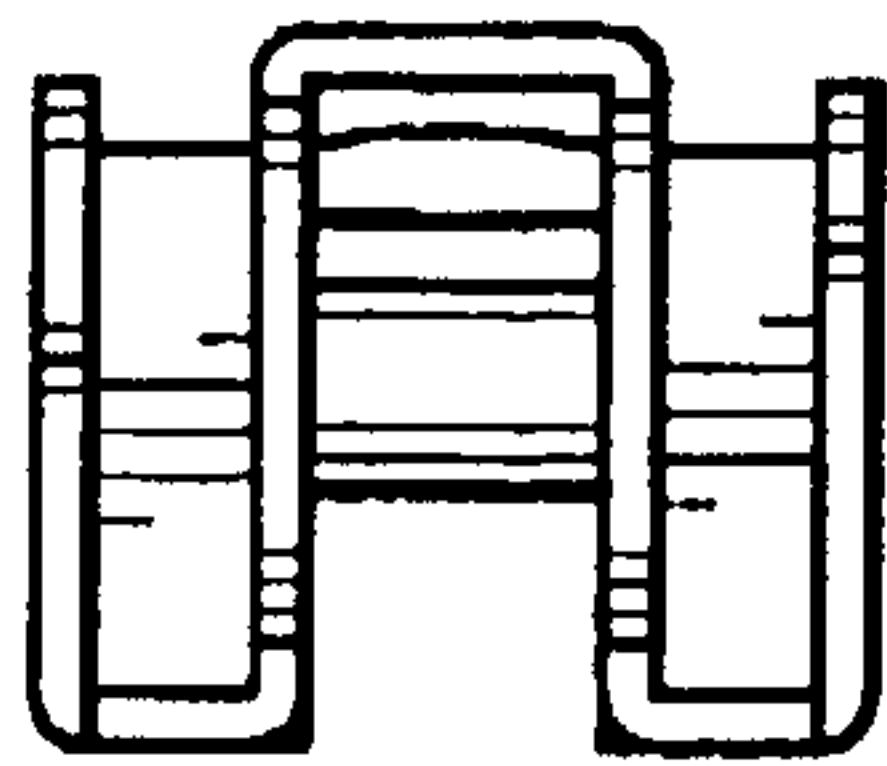


FIG. 6

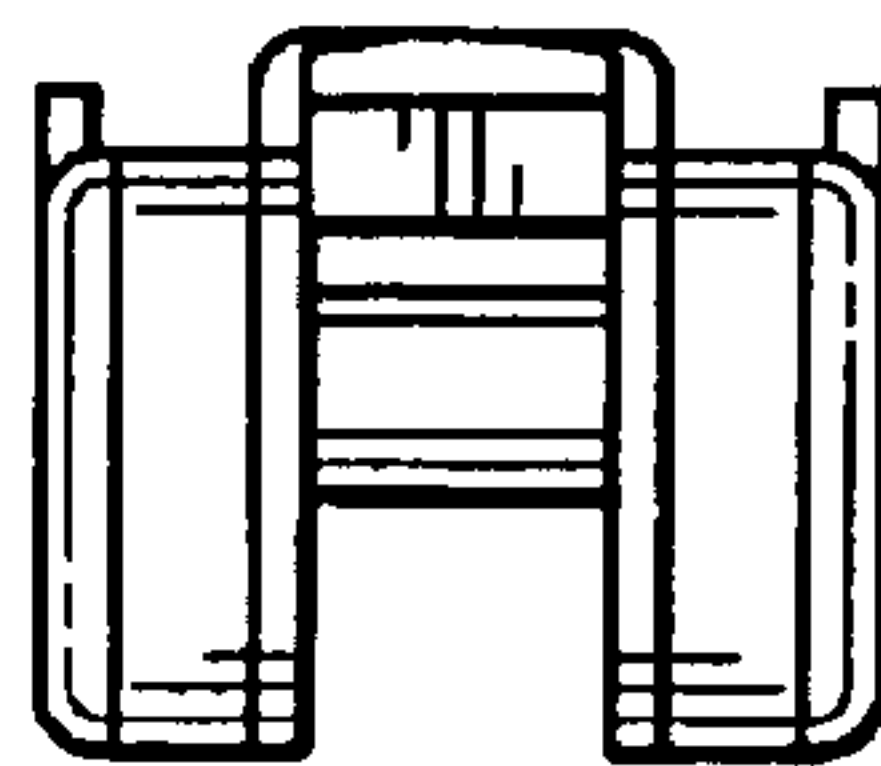


FIG. 7

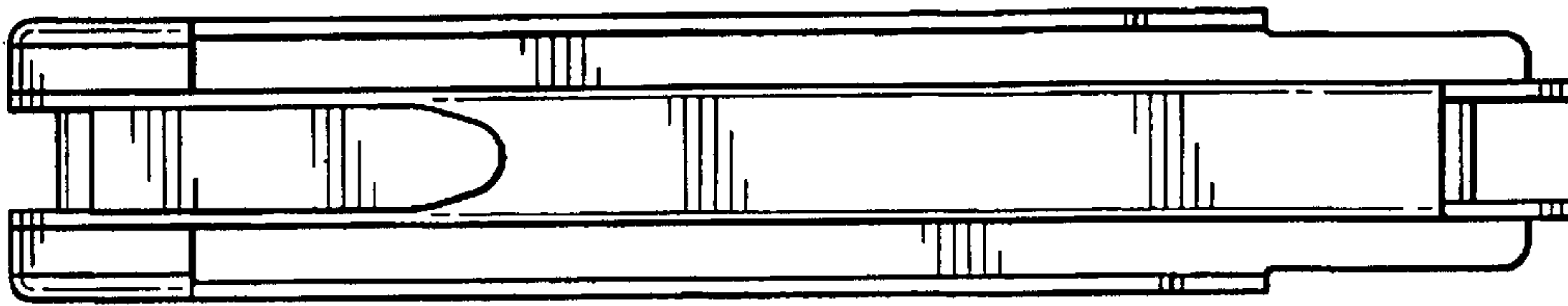


FIG. 2

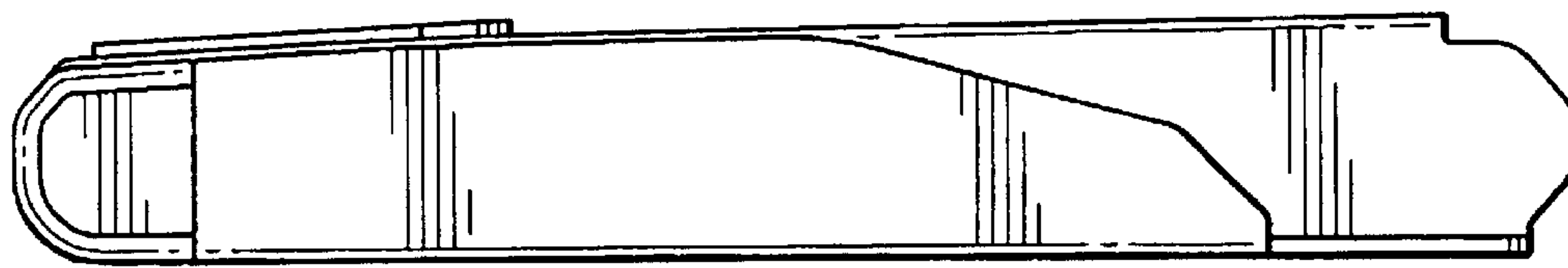


FIG. 3

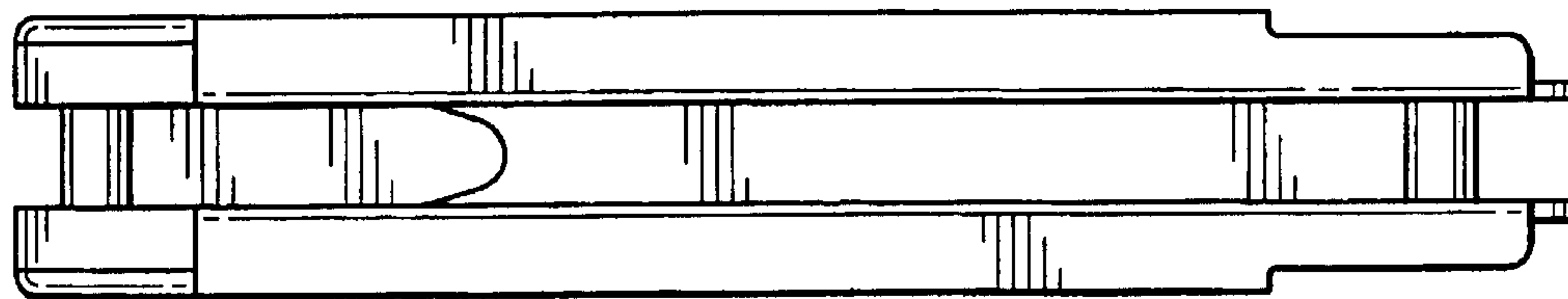


FIG. 4

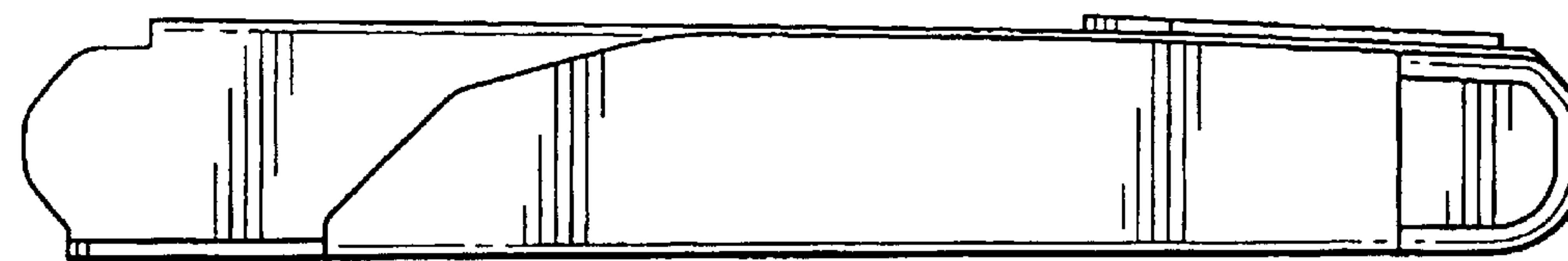


FIG. 5