



US00D529359S

(12) **United States Design Patent** (10) **Patent No.:** **US D529,359 S**
Lin (45) **Date of Patent:** **** Oct. 3, 2006**

(54) **TOOL HOLDER ASSEMBLY**

(75) Inventor: **Pei-Ying Lin**, Taichung Hsien (TW)

(73) Assignee: **Global Distribution Management, Inc.**, Northfield, IL (US)

(**) Term: **14 Years**

(21) Appl. No.: **29/228,533**

(22) Filed: **Apr. 25, 2005**

(30) **Foreign Application Priority Data**

Oct. 26, 2004 (TW) 93306275

(51) **LOC (8) Cl.** **08-08**

(52) **U.S. Cl.** **D8/71; D8/905**

(58) **Field of Classification Search** D8/71,
D8/70, 72, 105; 206/349, 372, 373; D3/315,
D3/905; 81/439; 211/70.6

See application file for complete search history.

(56) **References Cited**

U.S. PATENT DOCUMENTS

D333,769	S	*	3/1993	Jureckson	D6/469
D343,106	S	*	1/1994	Eklind et al.	D6/468
D392,489	S	*	3/1998	Ernst	D6/571
5,730,303	A	*	3/1998	Chow	211/70.6
5,988,382	A	*	11/1999	Ritchie et al.	206/372
D433,613	S	*	11/2000	Jialin	D8/71
D435,415	S	*	12/2000	Johnson et al.	D8/71
D459,967	S	*	7/2002	Johnson et al.	D8/71

* cited by examiner

Primary Examiner—Philip S. Hyder

(74) *Attorney, Agent, or Firm*—Leverfeld Pearlstein, LLC

(57) **CLAIM**

The ornamental design for a tool holder assembly, as shown and described.

DESCRIPTION

FIG. 1 is a perspective view of an assembly of the tool holder assembly showing my new design.

FIG. 2 is a front elevational view of FIG. 1 showing my new design.

FIG. 3 is a rear elevational view of FIG. 1 showing my new design.

FIG. 4 is a left side elevational view of the tool holder assembly showing my new design.

FIG. 5 is a right side elevational view of the tool holder assembly showing my new design.

FIG. 6 is a top plan view of the tool holder assembly showing my new design.

FIG. 7 is a bottom plan view of the tool holder assembly showing my new design.

FIG. 8 is a perspective view of the tool holder assembly showing my design, the figure being shown with screwdrivers in phantom lines, the screwdrivers being shown for illustrative purposes only and forming no part of the claimed design; and,

FIG. 9 is a perspective view of the tool holder assembly similar to FIG. 8, showing the support arms in alternate positions, the figure being shown with screwdrivers in phantom lines, the screwdrivers being shown for illustrative purposes only and forming no part of the claimed design.

1 Claim, 8 Drawing Sheets

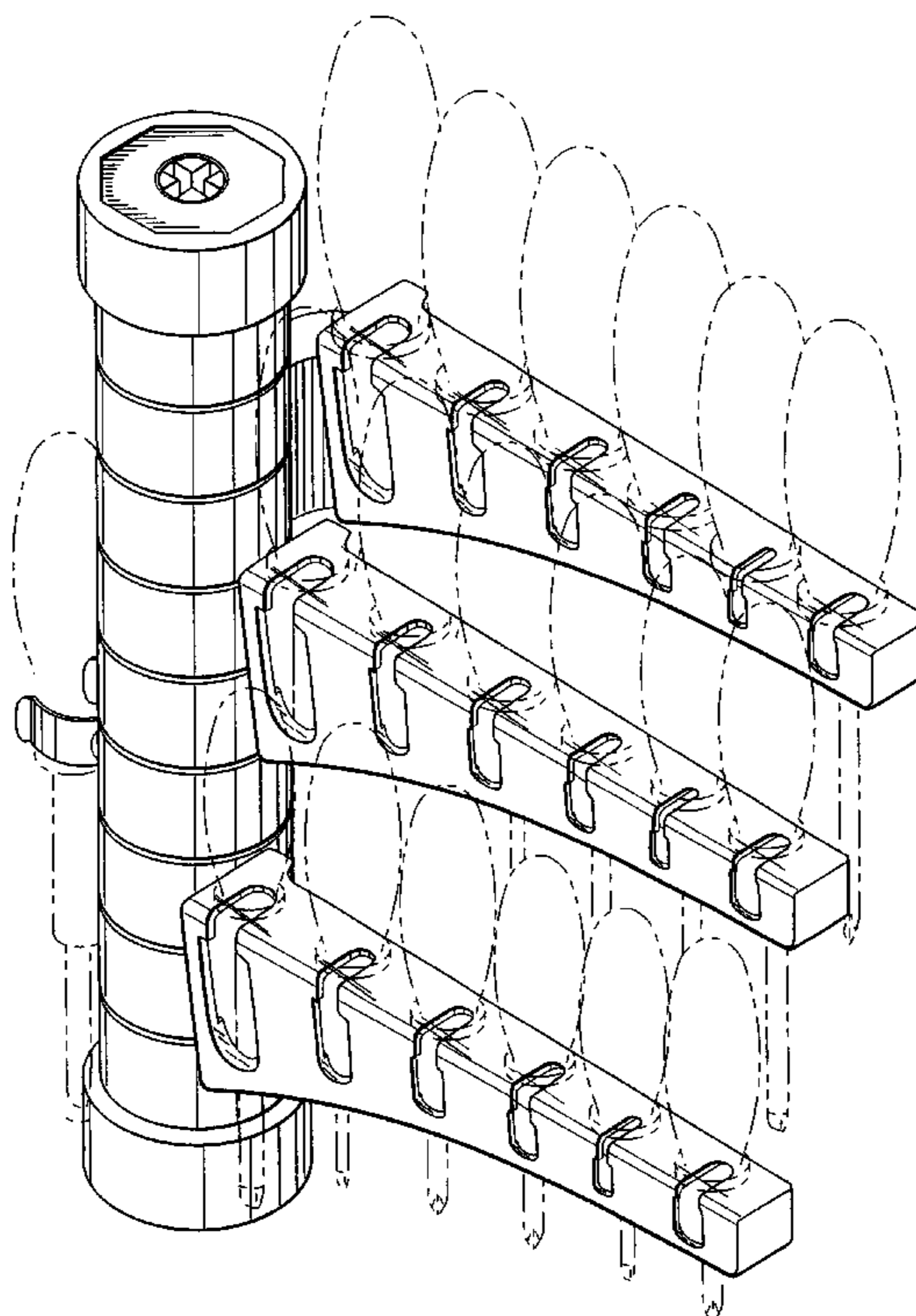


Fig. 1

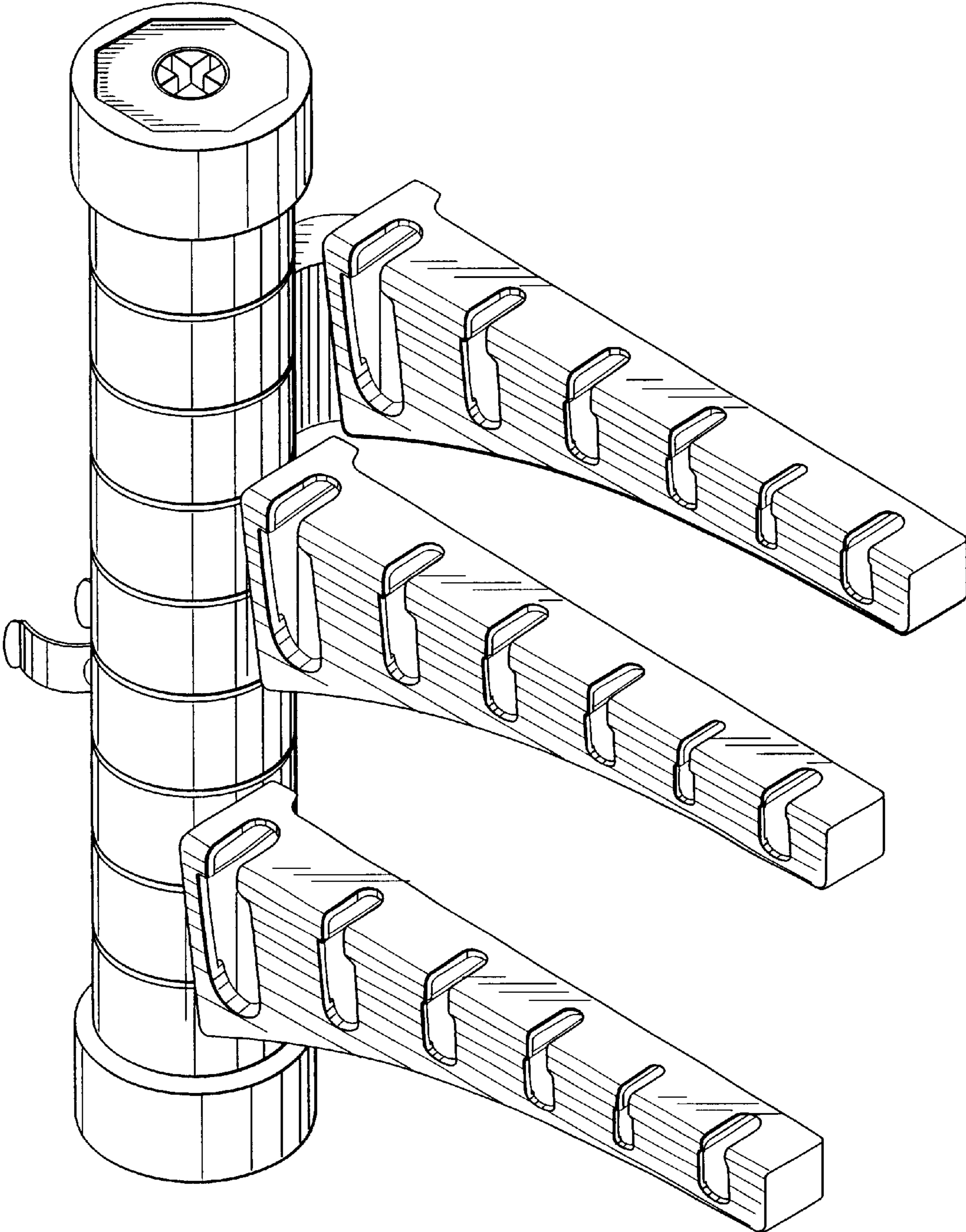


Fig. 2

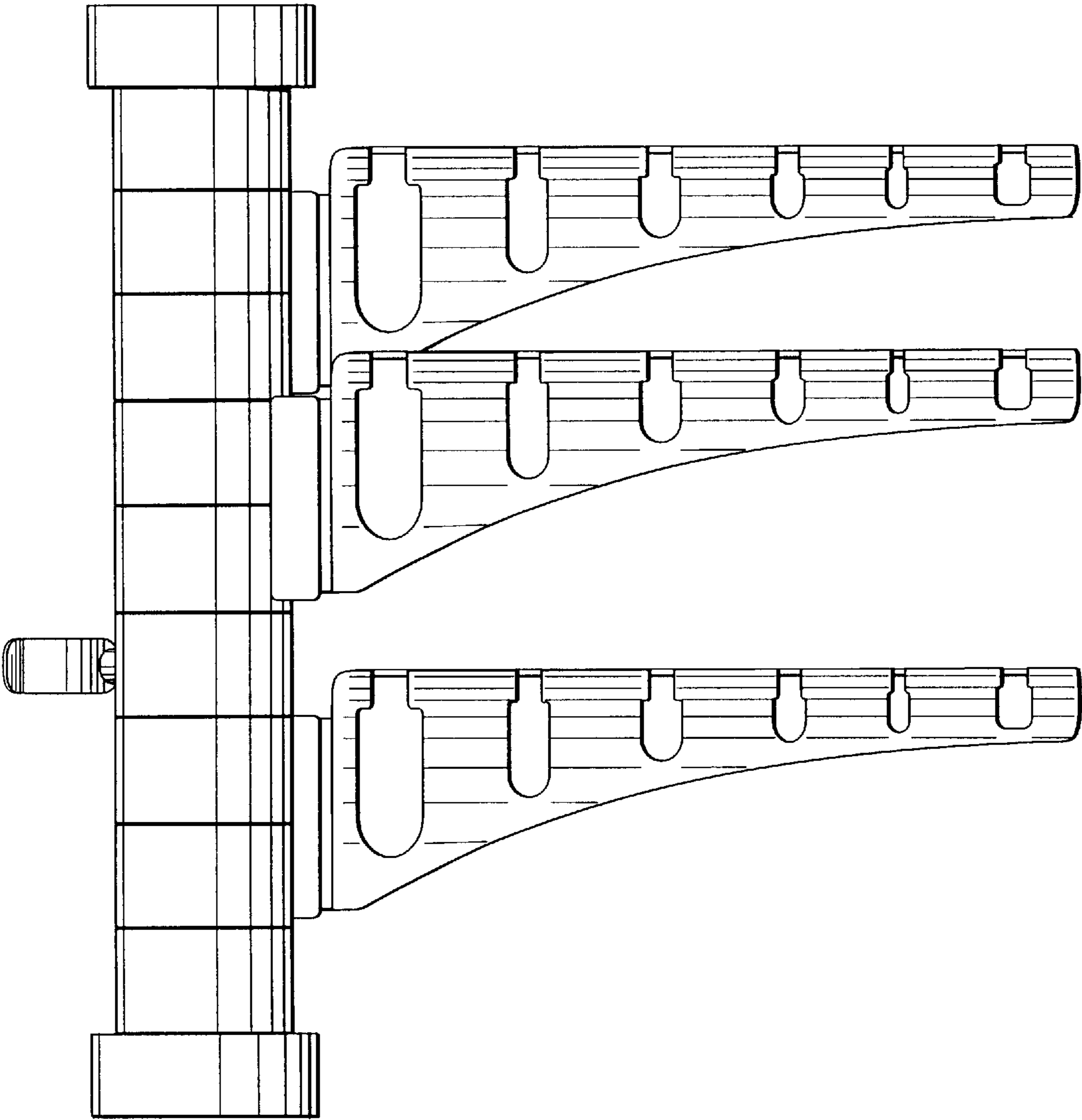


Fig. 3

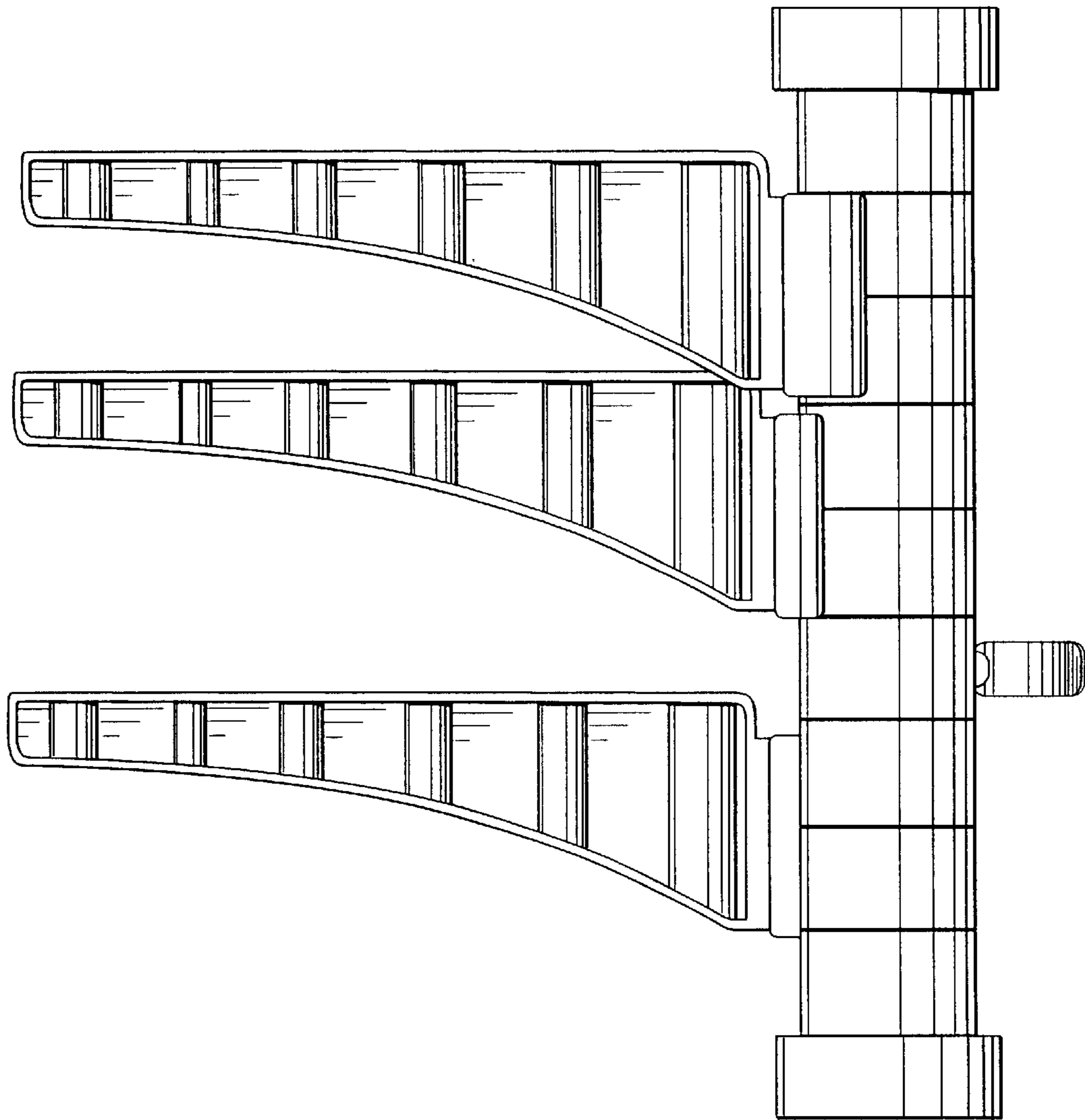


Fig. 4

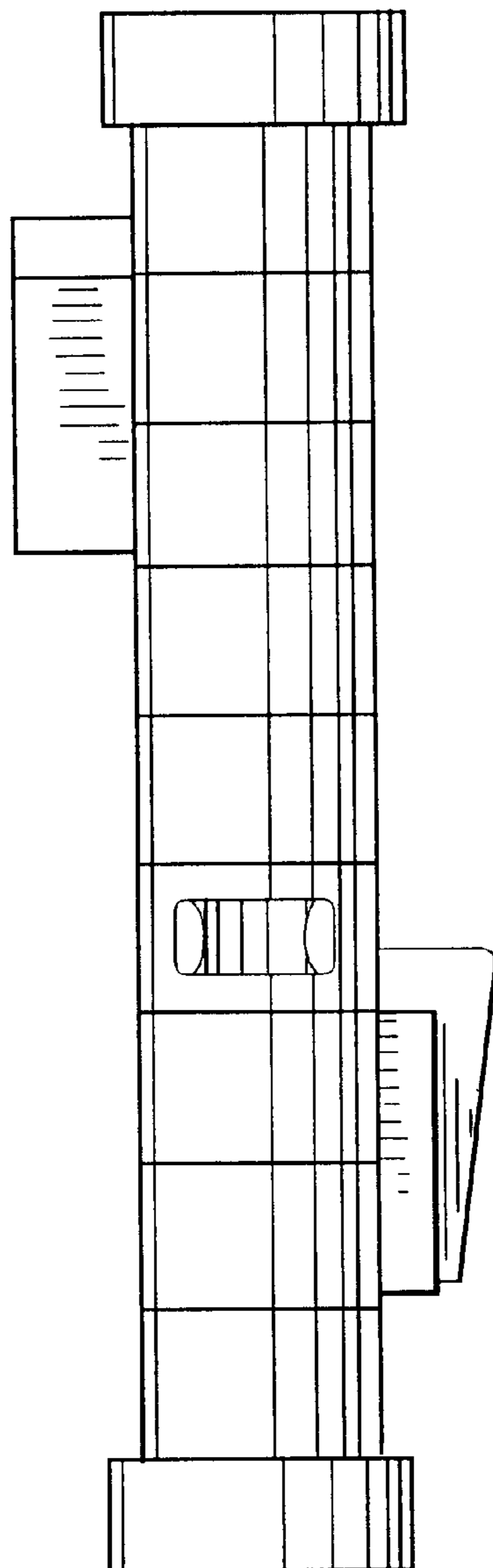


Fig. 5

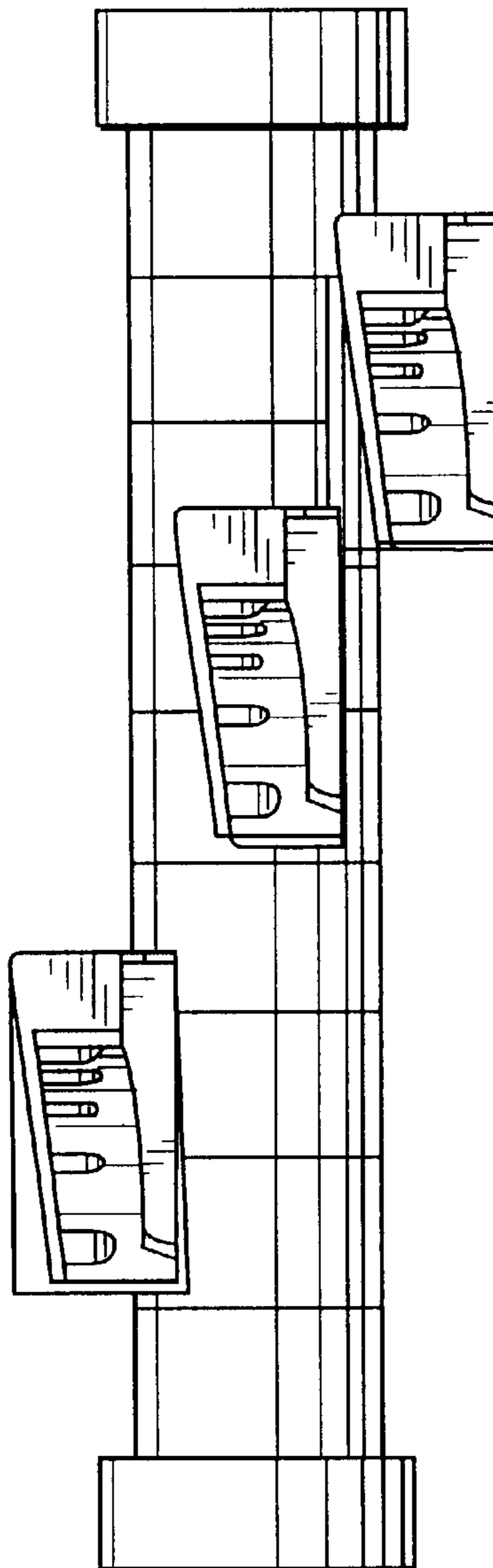


Fig. 6

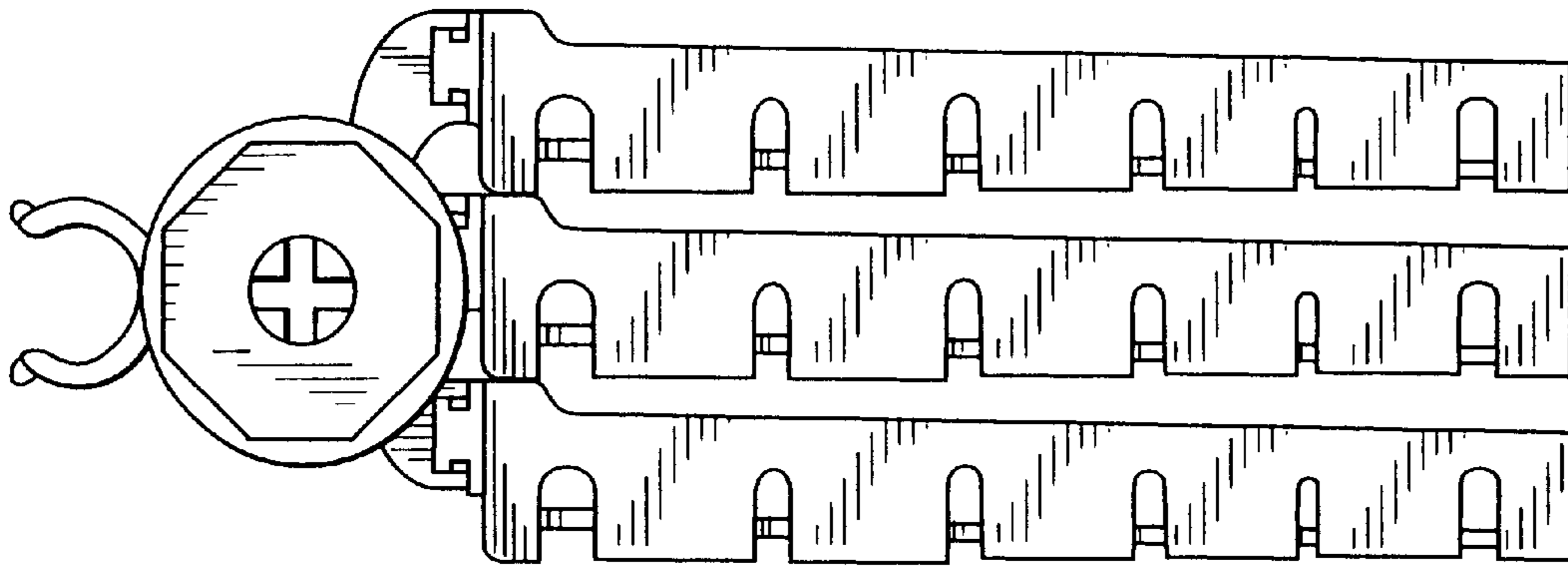


Fig. 7

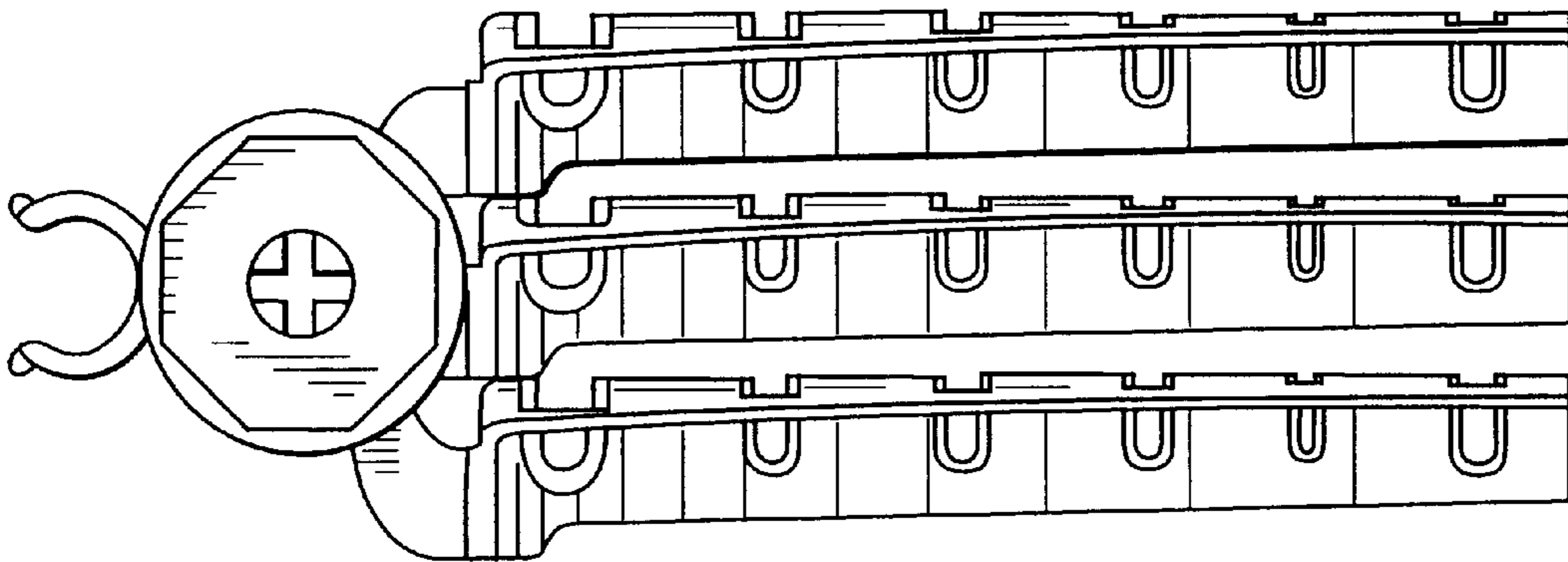


Fig. 8

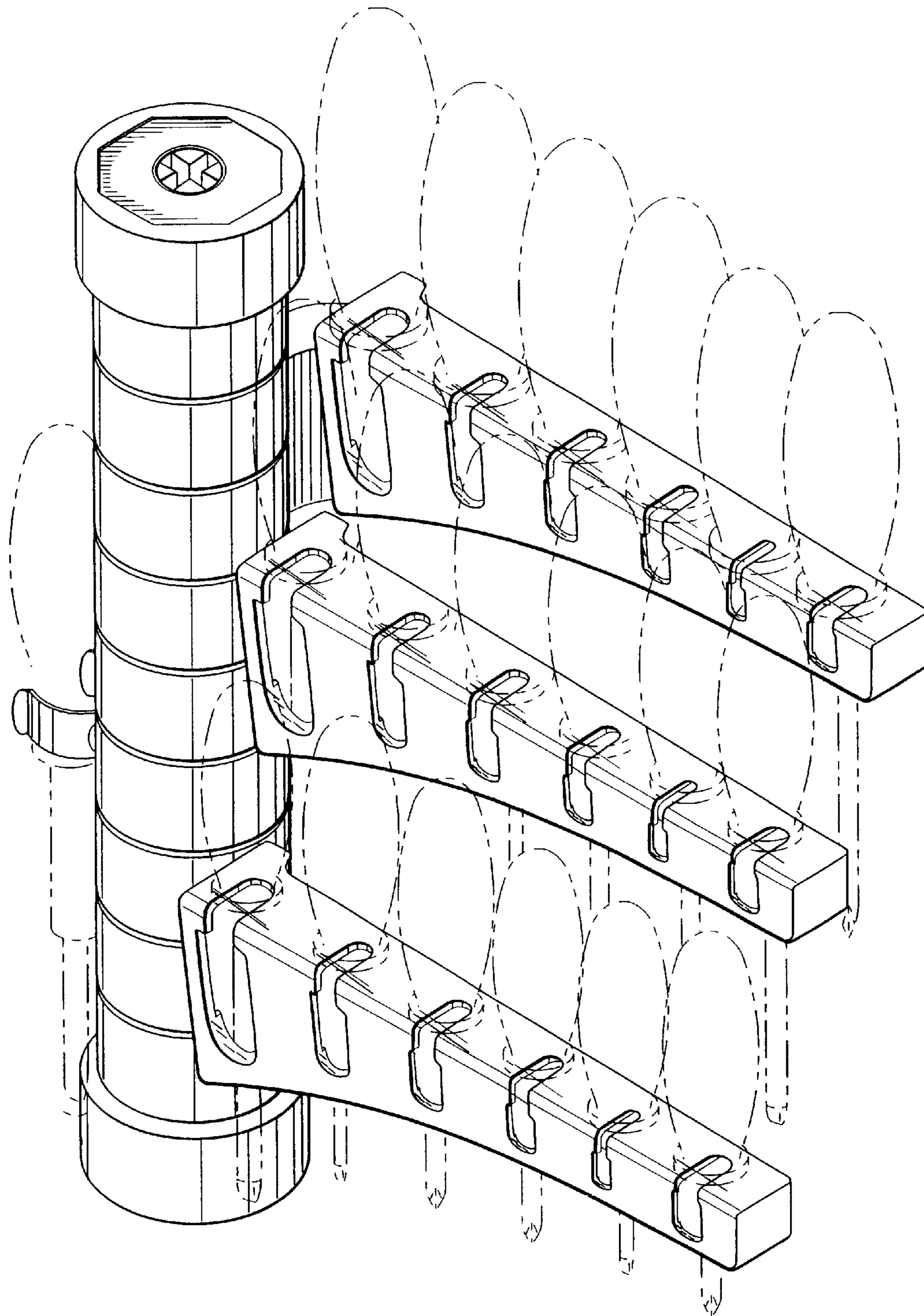


Fig. 9

