

US00D529358S

(12) **United States Design Patent**  
**Wright**

(10) **Patent No.:** **US D529,358 S**

(45) **Date of Patent:** **\*\* Oct. 3, 2006**

(54) **SAW**  
(75) **Inventor:** **Stuart J. Wright**, Timonium, MD (US)  
(73) **Assignee:** **Black & Decker Inc.**, Newark, DE (US)  
(\*\*) **Term:** **14 Years**

D391,973 S \* 3/1998 Price et al. .... D15/133  
D400,215 S \* 10/1998 Price et al. .... D15/133  
D412,510 S \* 8/1999 Chen ..... D15/133  
D415,942 S \* 11/1999 Shibata et al. .... D8/66  
D471,216 S \* 3/2003 Hollinger et al. .... D15/133  
D479,454 S \* 9/2003 Shih ..... D8/66

\* cited by examiner

(21) **Appl. No.:** **29/252,976**  
(22) **Filed:** **Jan. 31, 2006**

*Primary Examiner*—Cathron C. Brooks  
*Assistant Examiner*—Austin Murphy  
(74) *Attorney, Agent, or Firm*—Adan Ayala

(51) **LOC (8) Cl.** ..... **08-03**  
(52) **U.S. Cl.** ..... **D8/66**  
(58) **Field of Classification Search** ..... D8/69,  
D8/68, 67; D15/133; 83/397, 468.3, 469,  
83/471.3; 30/377, 378, 388, 391  
See application file for complete search history.

(57) **CLAIM**

The ornamental design for a saw, as shown and described.

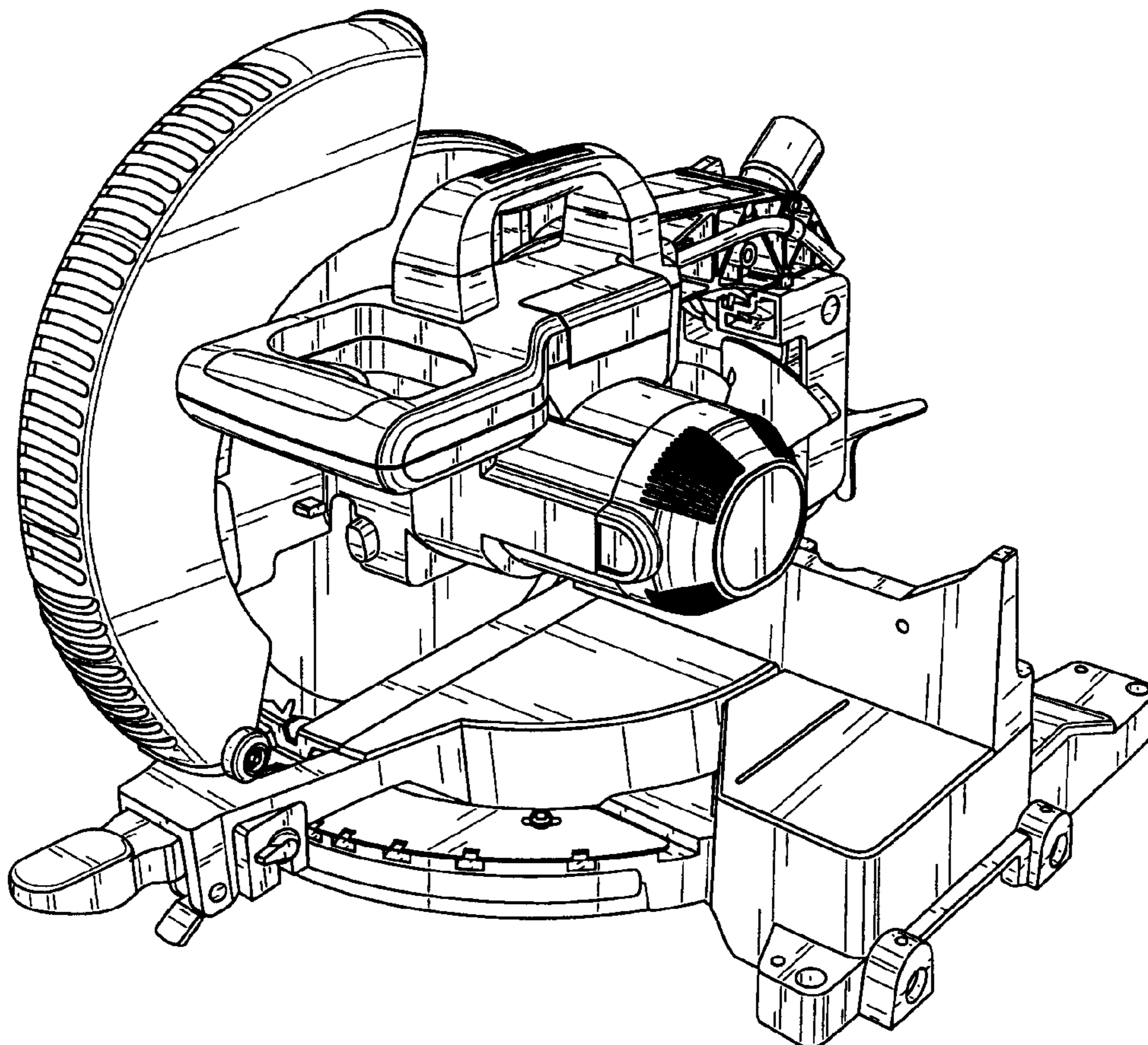
**DESCRIPTION**

FIG. 1 is a perspective view of a saw according to the invention.  
FIG. 2 is a front elevational view thereof.  
FIG. 3 is a rear elevational view thereof.  
FIG. 4 is a left elevational view thereof.  
FIG. 5 is a right elevational view thereof.  
FIG. 6 is a top plan view thereof; and,  
FIG. 7 is a bottom plan view thereof.

(56) **References Cited**  
U.S. PATENT DOCUMENTS

D317,110 S \* 5/1991 Arehart ..... D8/66  
D331,416 S \* 12/1992 Fushiya et al. .... D15/133  
D346,173 S \* 4/1994 Price ..... D15/133  
D374,803 S \* 10/1996 Terpstra et al. .... D8/66  
D388,443 S \* 12/1997 Kondo ..... D15/133

**1 Claim, 7 Drawing Sheets**



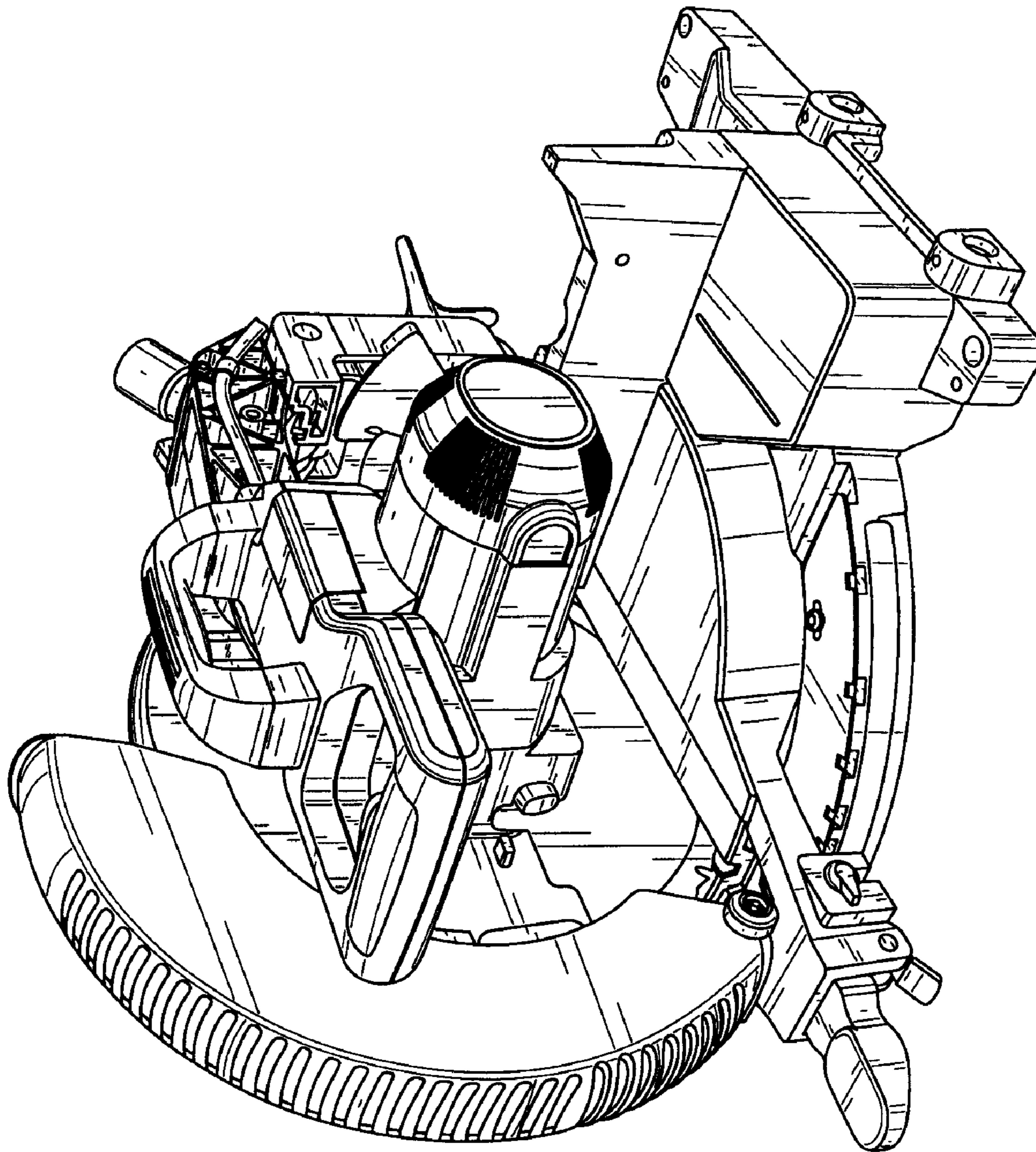


FIG. 1

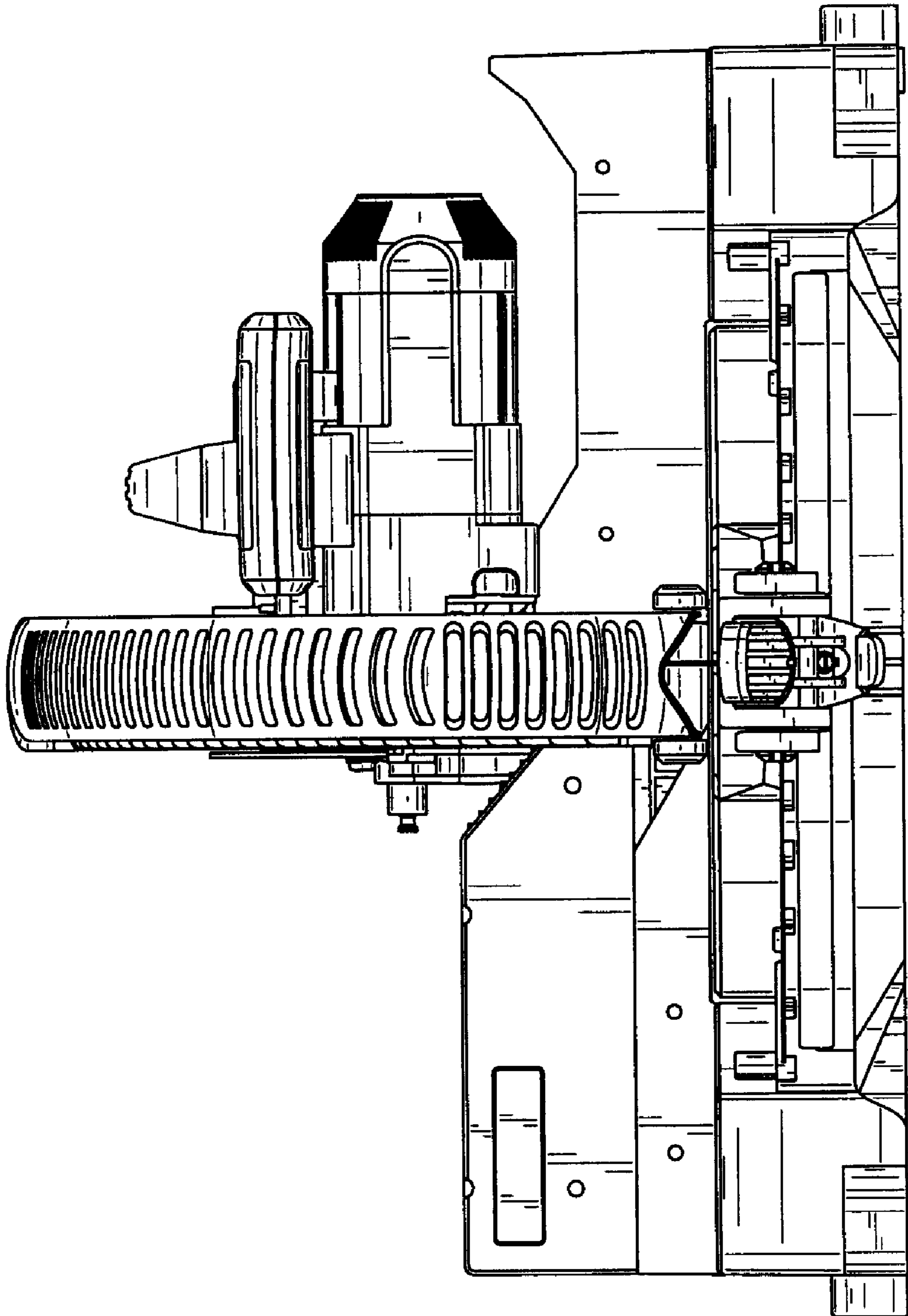


FIG. 2

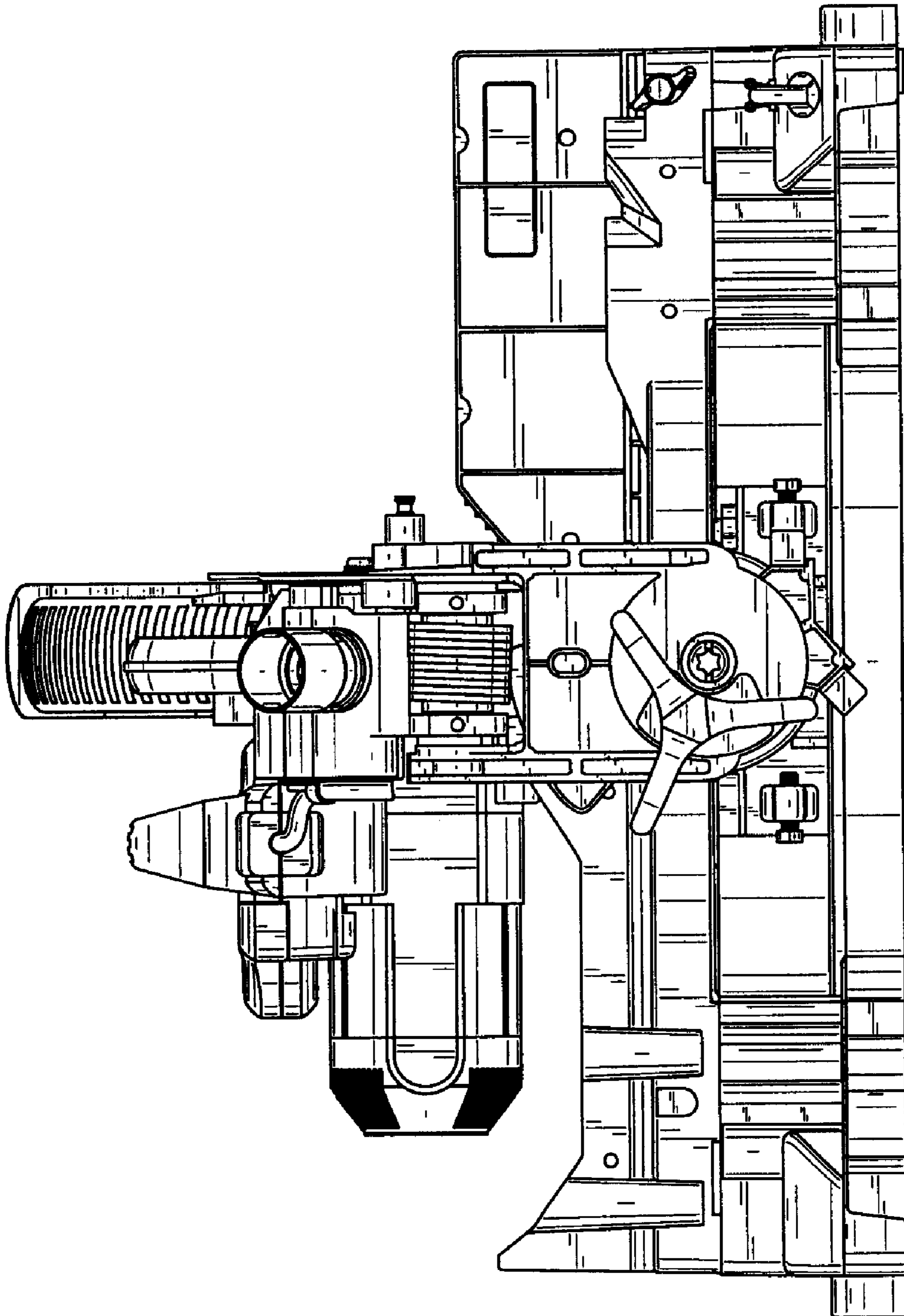


FIG. 3

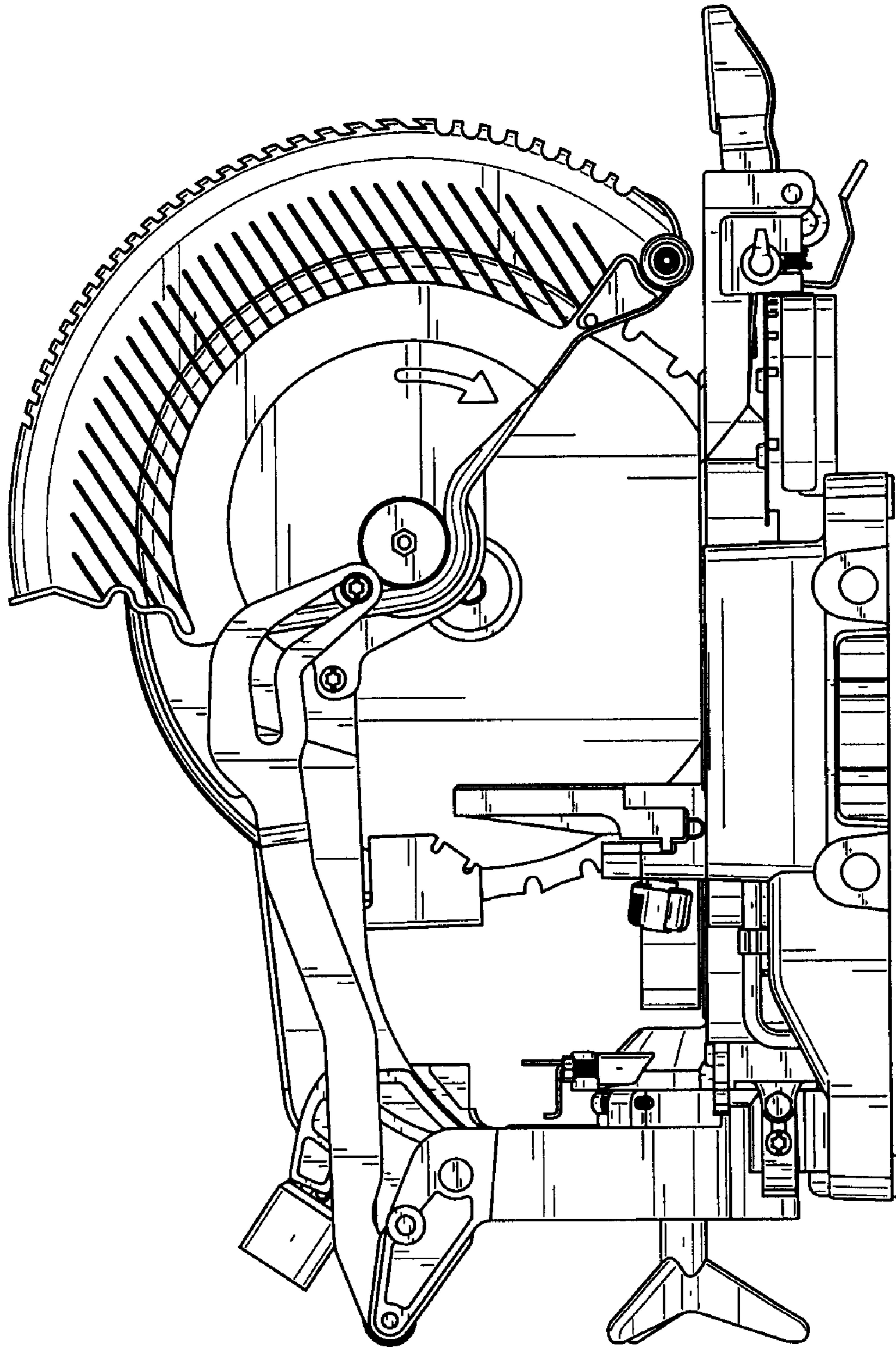


FIG. 4

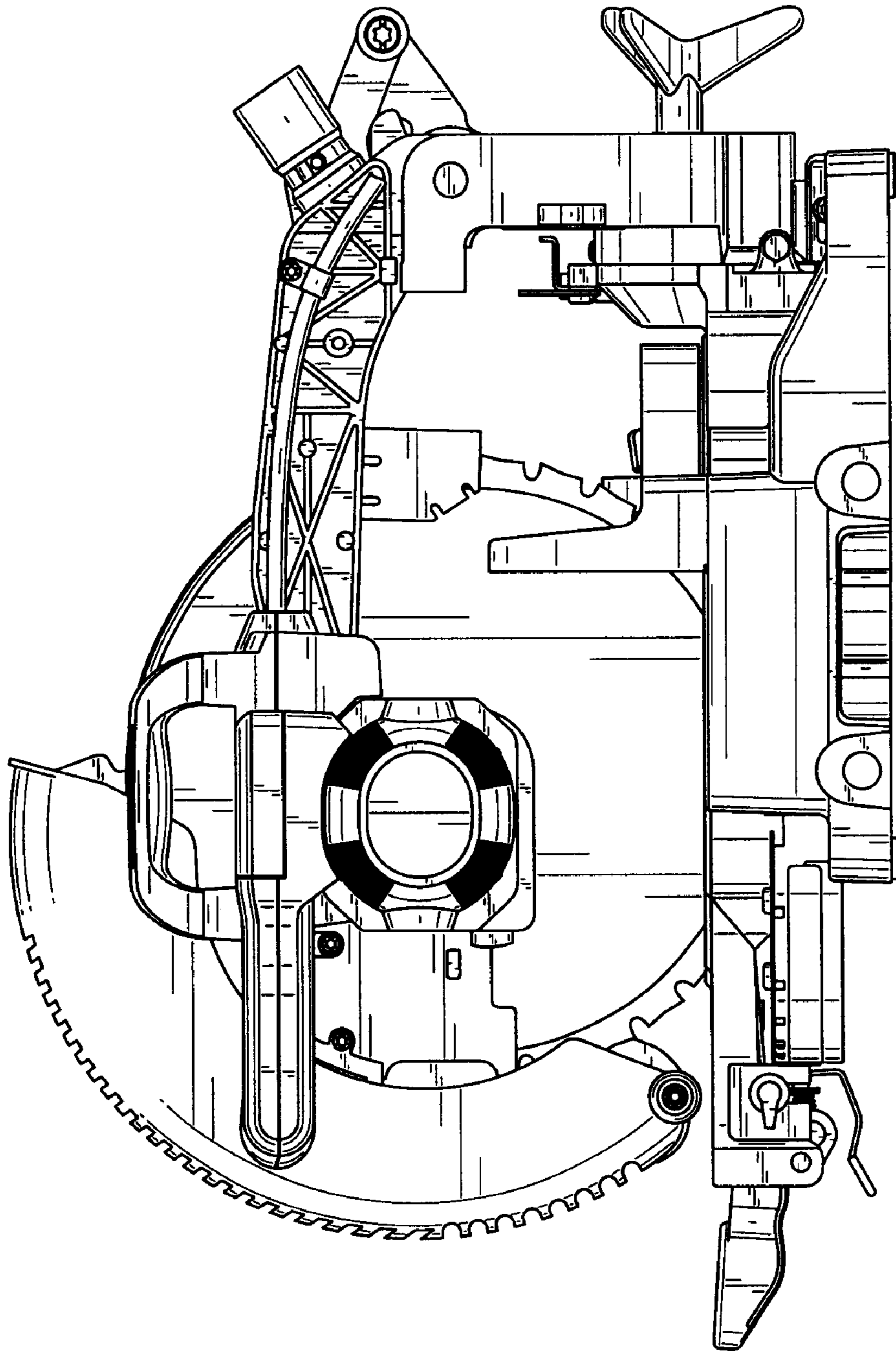


FIG. 5

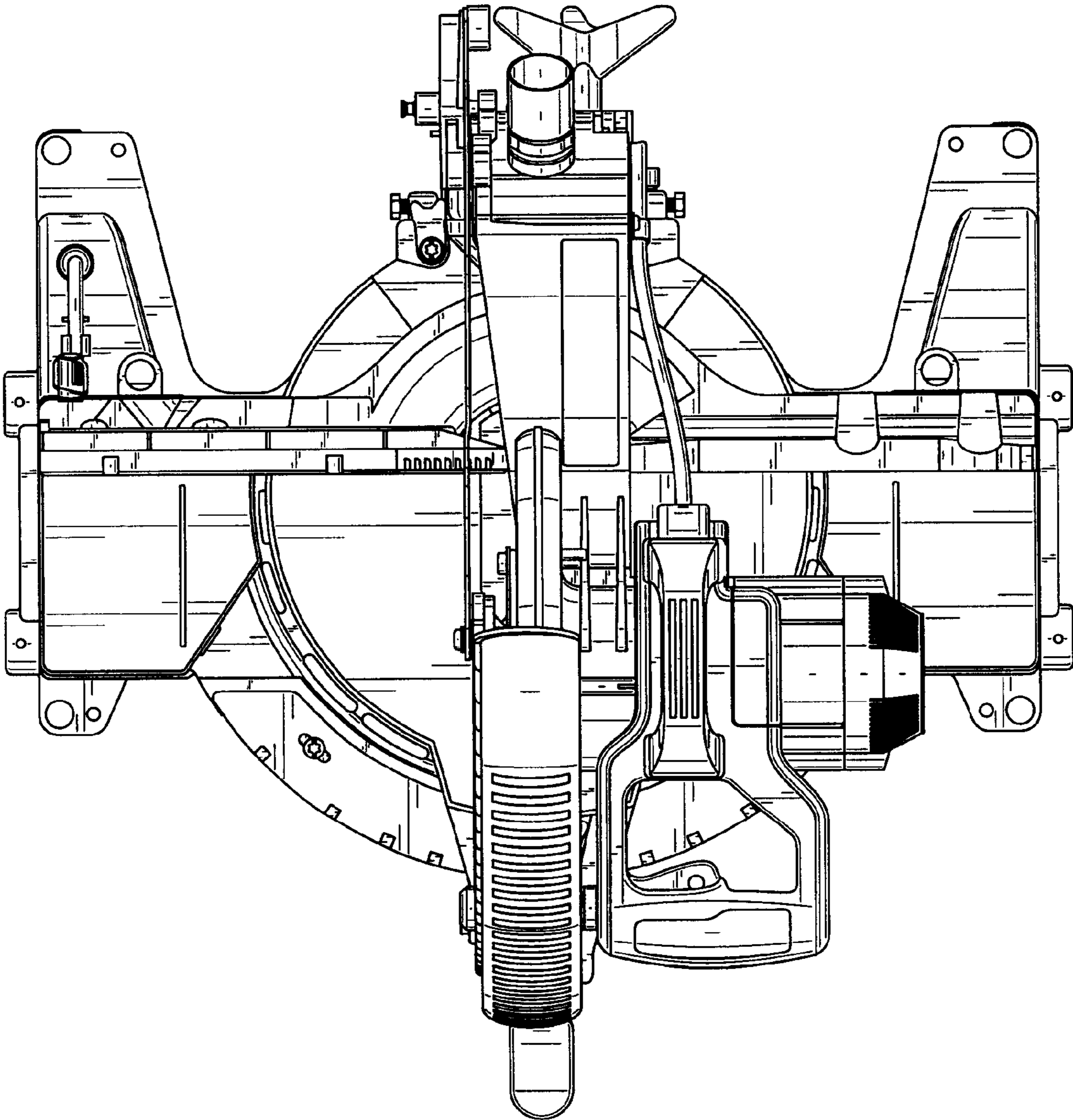


FIG. 6

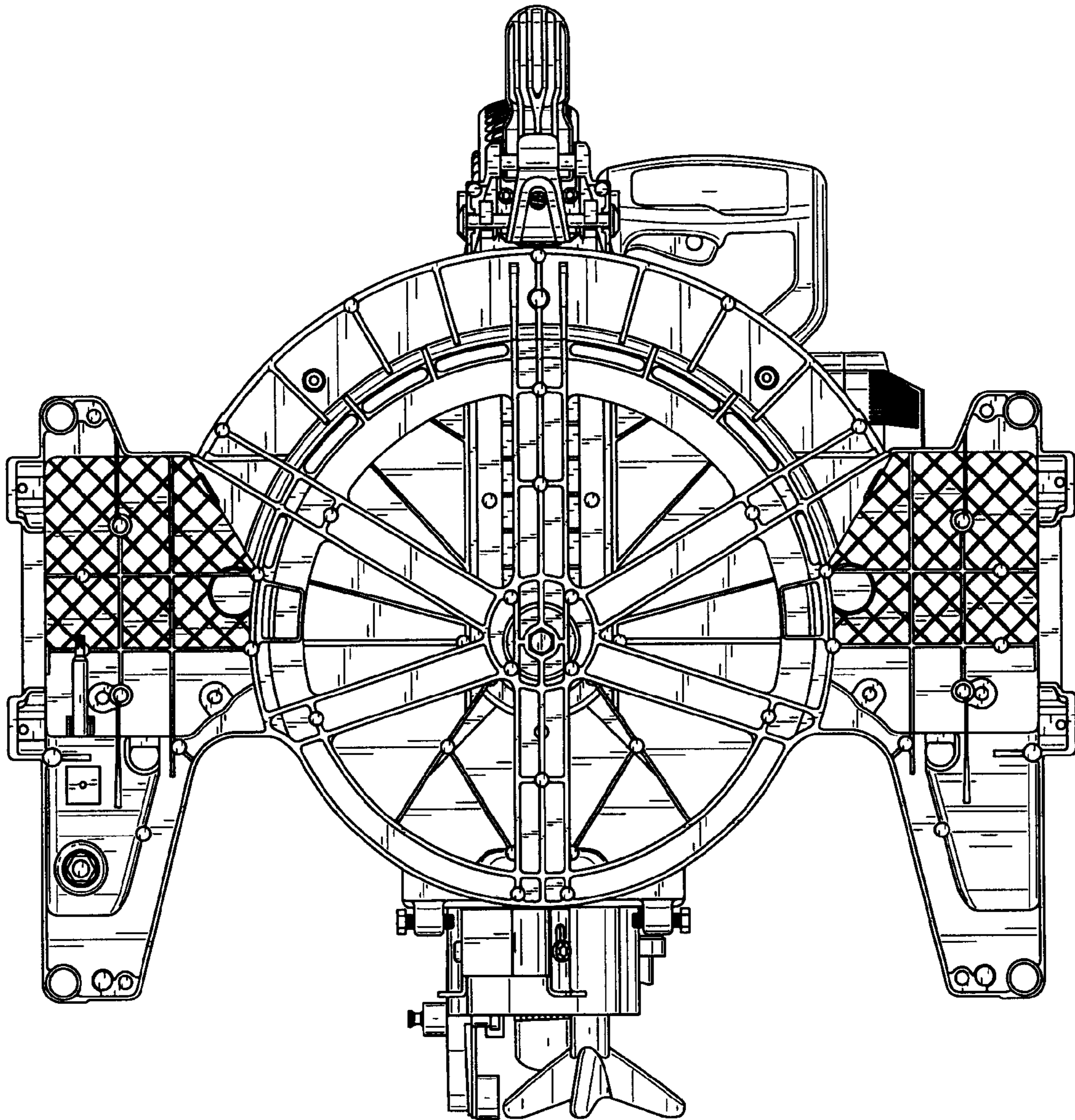


FIG. 7