



US00D529357S

(12) **United States Design Patent**
Qiu

(10) **Patent No.:** **US D529,357 S**

(45) **Date of Patent:** **** Oct. 3, 2006**

(54) **PLANER**

(75) Inventor: **Xunzhuang Qiu**, Jiangsu (CN)

(73) Assignee: **Chervon International Trading Co., Ltd.**, Nanjing (CN)

(**) Term: **14 Years**

(21) Appl. No.: **29/256,551**

(22) Filed: **Mar. 22, 2006**

(30) **Foreign Application Priority Data**

Nov. 2, 2005 (CN) 200530132490

(51) **LOC (8) Cl.** **08-01**

(52) **U.S. Cl.** **D8/62**

(58) **Field of Classification Search** D8/67,
D8/62, 61; D32/15, 17, 19; D4/102; 144/154.5,
144/252.1, 373; 451/355, 354, 353, 351,
451/344, 456, 451, 359, 358, 357, 356
See application file for complete search history.

(56) **References Cited**

U.S. PATENT DOCUMENTS

4,363,343 A * 12/1982 Cuneo 30/475
D282,236 S * 1/1986 Shohoji et al. D8/61
5,094,000 A * 3/1992 Becht et al. 30/475
5,815,934 A * 10/1998 Eichberger et al. 30/475

D475,594 S * 6/2003 Bian D8/62
6,688,349 B1 * 2/2004 Roshilavati Razlan et al. .. 144/
154.5
D495,574 S * 9/2004 Schoen D8/62
D501,775 S * 2/2005 Tillman et al. D8/62
D508,833 S * 8/2005 Brazell et al. D8/62
D509,117 S * 9/2005 Tillman et al. D8/62
2003/0168122 A1 * 9/2003 Razlan et al. 144/154.5
2005/0274433 A1 * 12/2005 Thomas 144/252.1
2005/0284543 A1 * 12/2005 Kaiser 144/373

* cited by examiner

Primary Examiner—Cathron C. Brooks

Assistant Examiner—Austin Murphy

(74) *Attorney, Agent, or Firm*—Butzel Long

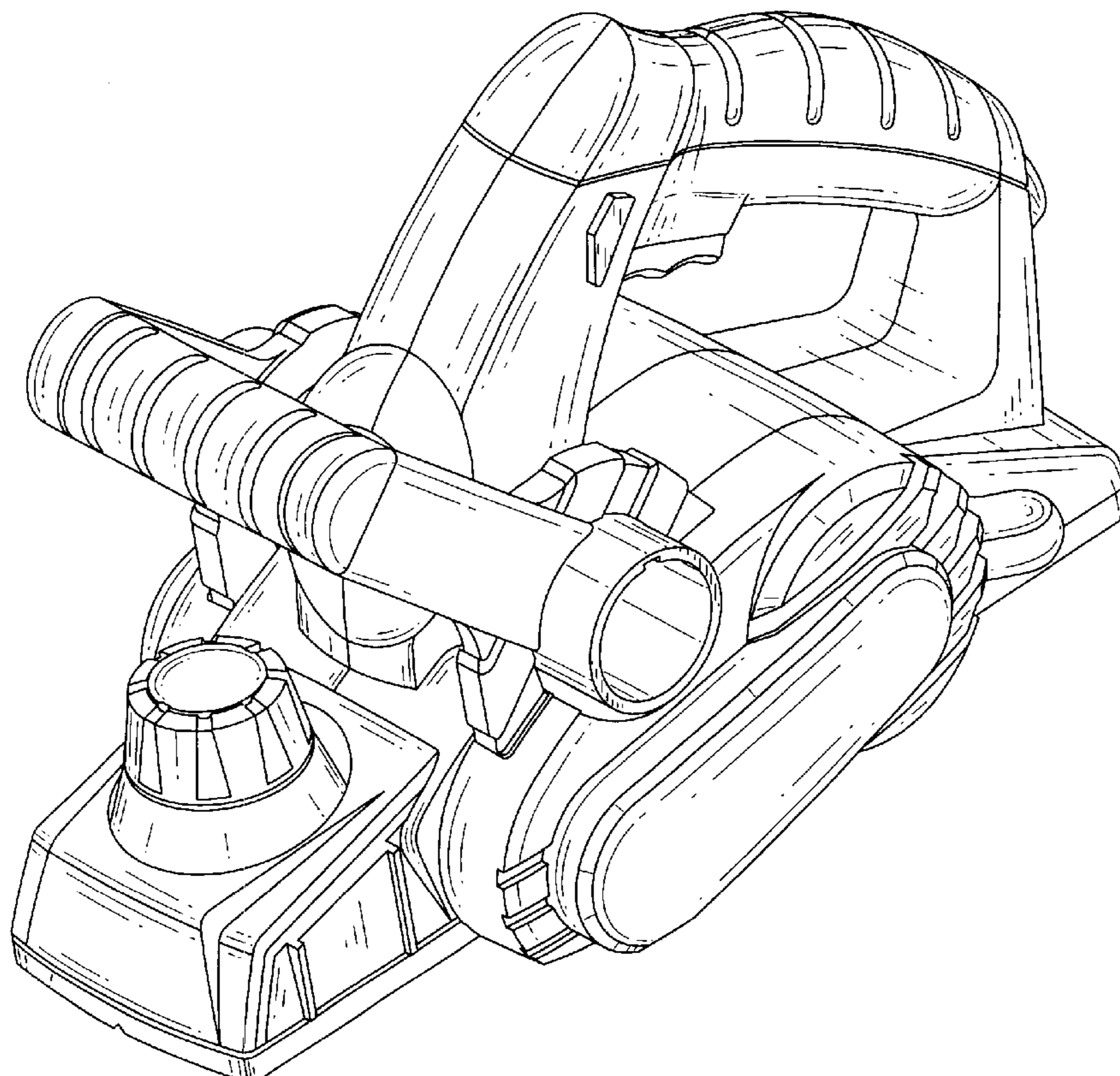
(57) **CLAIM**

The ornamental design for a planer, as shown and described.

DESCRIPTION

FIG. 1 is a front elevational view of the design;
FIG. 2 is a rear elevational view of the planer in FIG. 1;
FIG. 3 is a left side elevational view of the planer in FIG. 1;
FIG. 4 is a right side elevational view of the planer in FIG. 1;
FIG. 5 is a top plan view of the planer in FIG. 1;
FIG. 6 is a bottom plan view of the planer in FIG. 1; and,
FIG. 7 is a perspective view of the planer of FIG. 1.

1 Claim, 7 Drawing Sheets



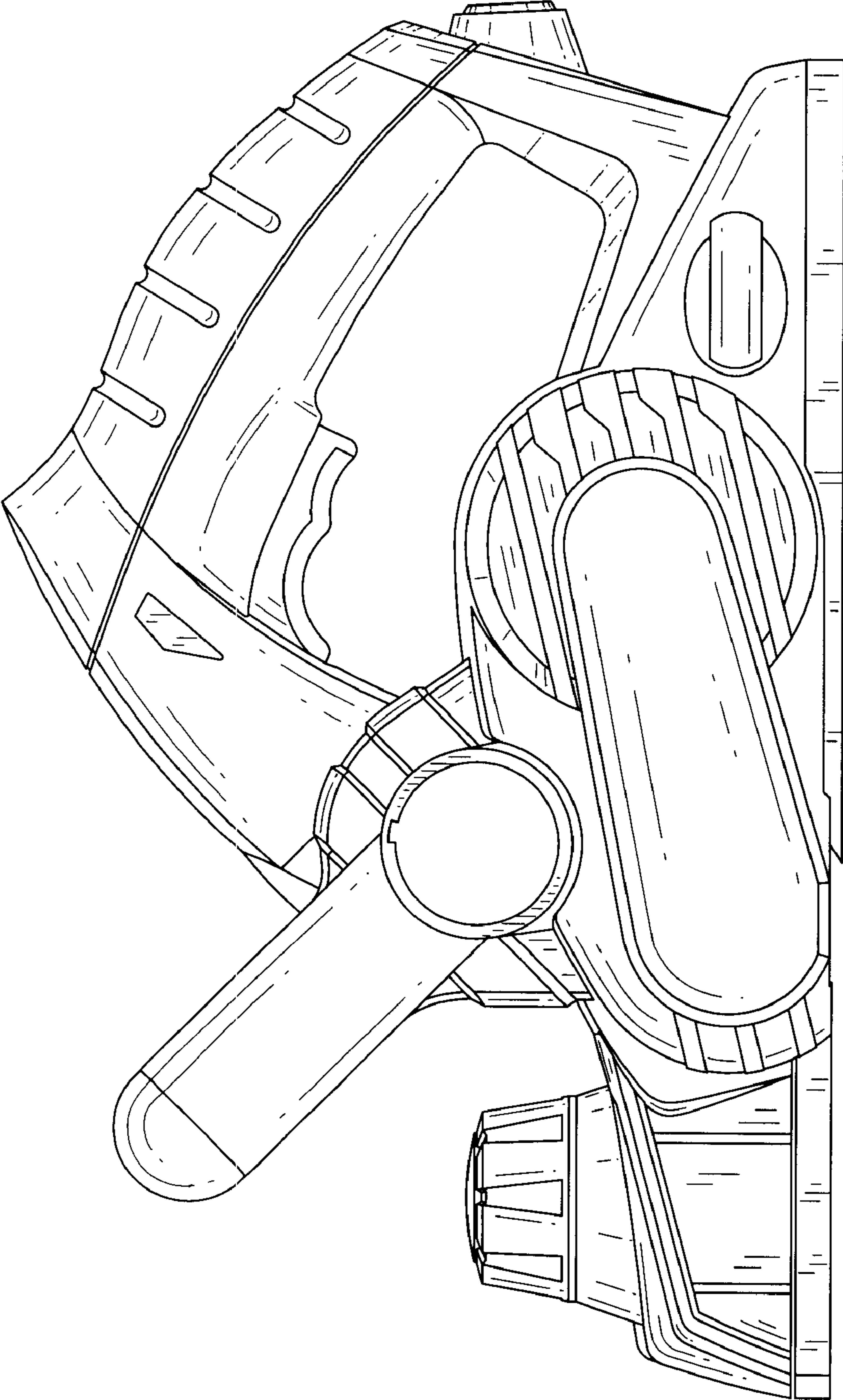


fig1

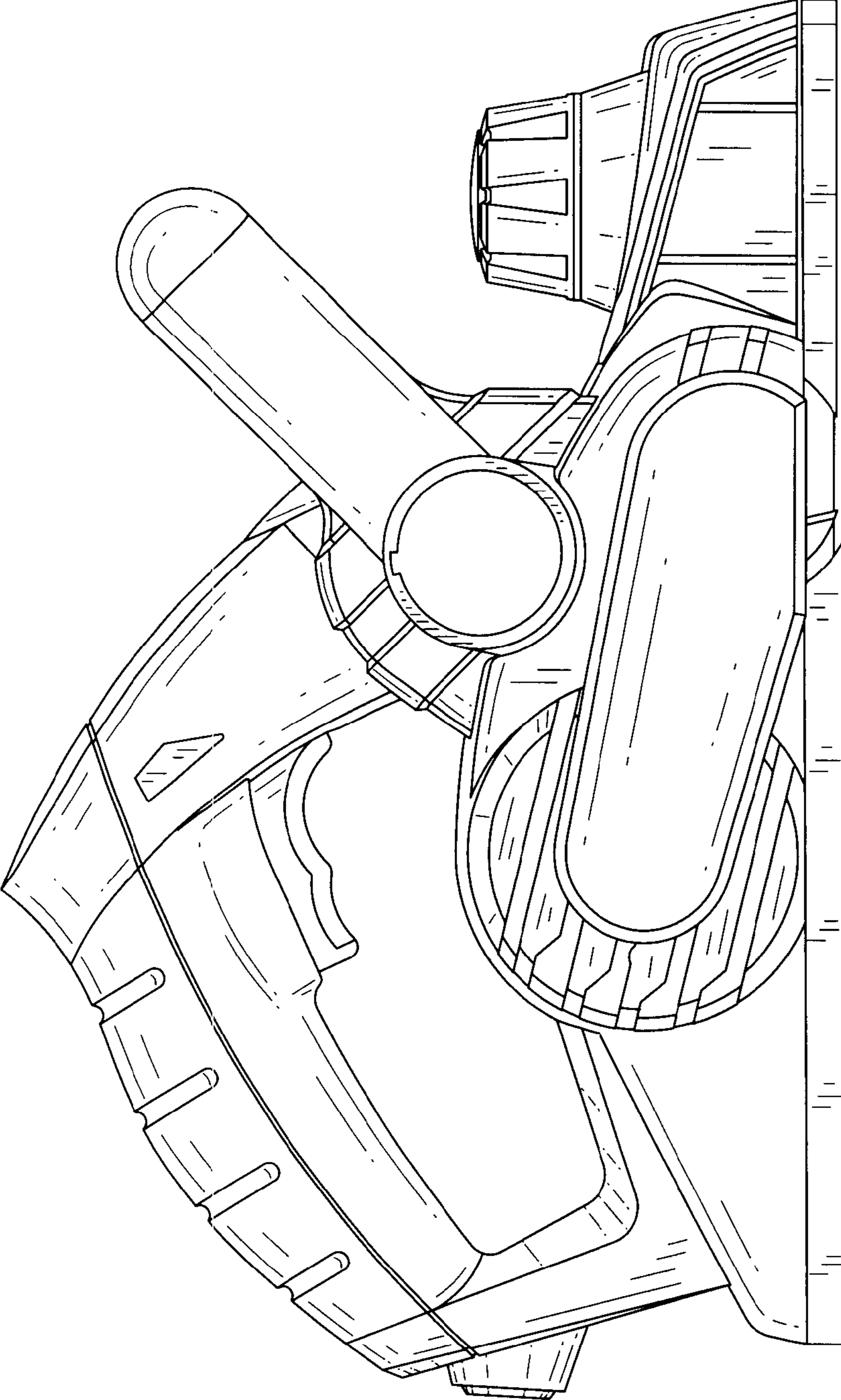


fig2

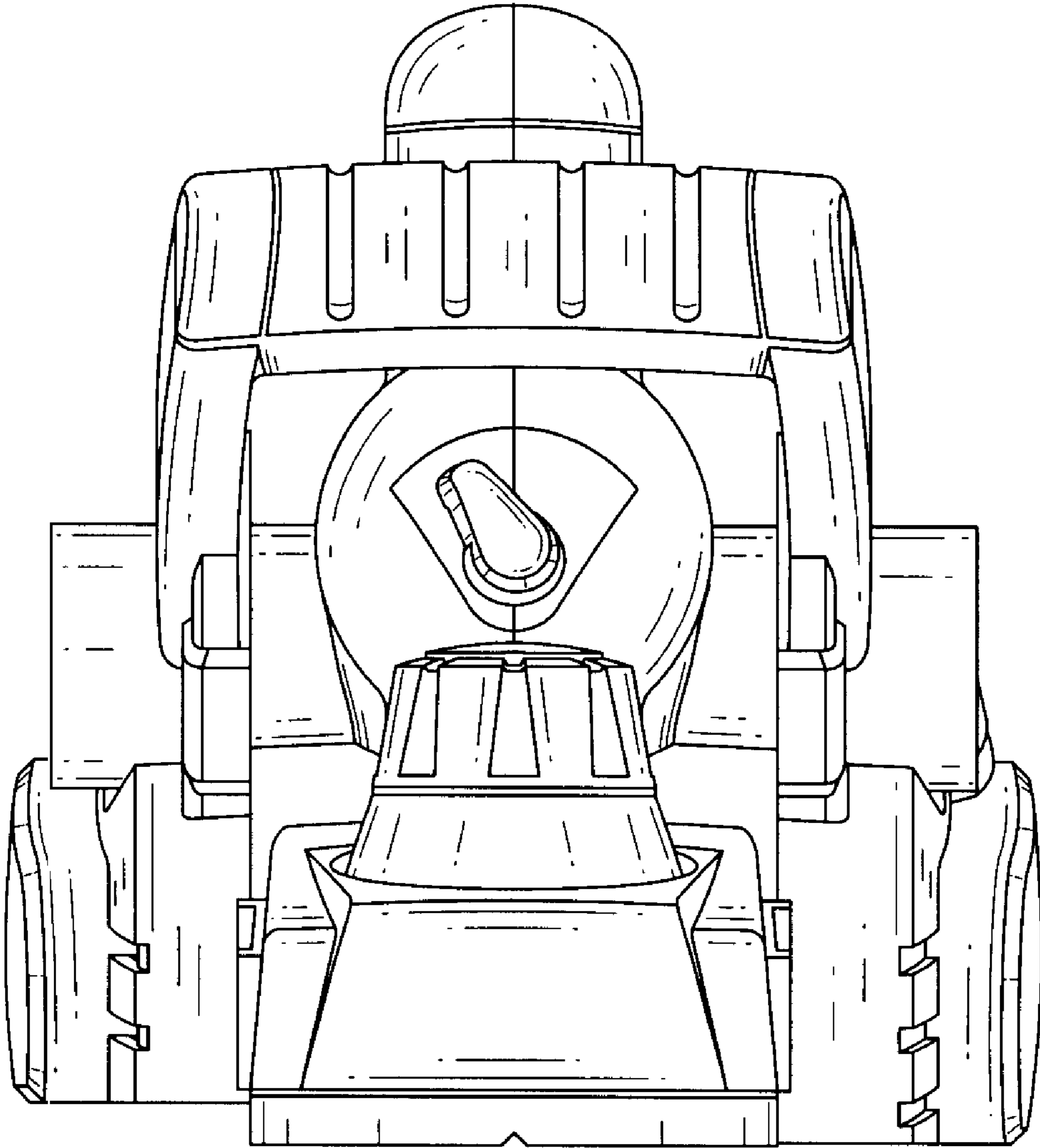


fig3

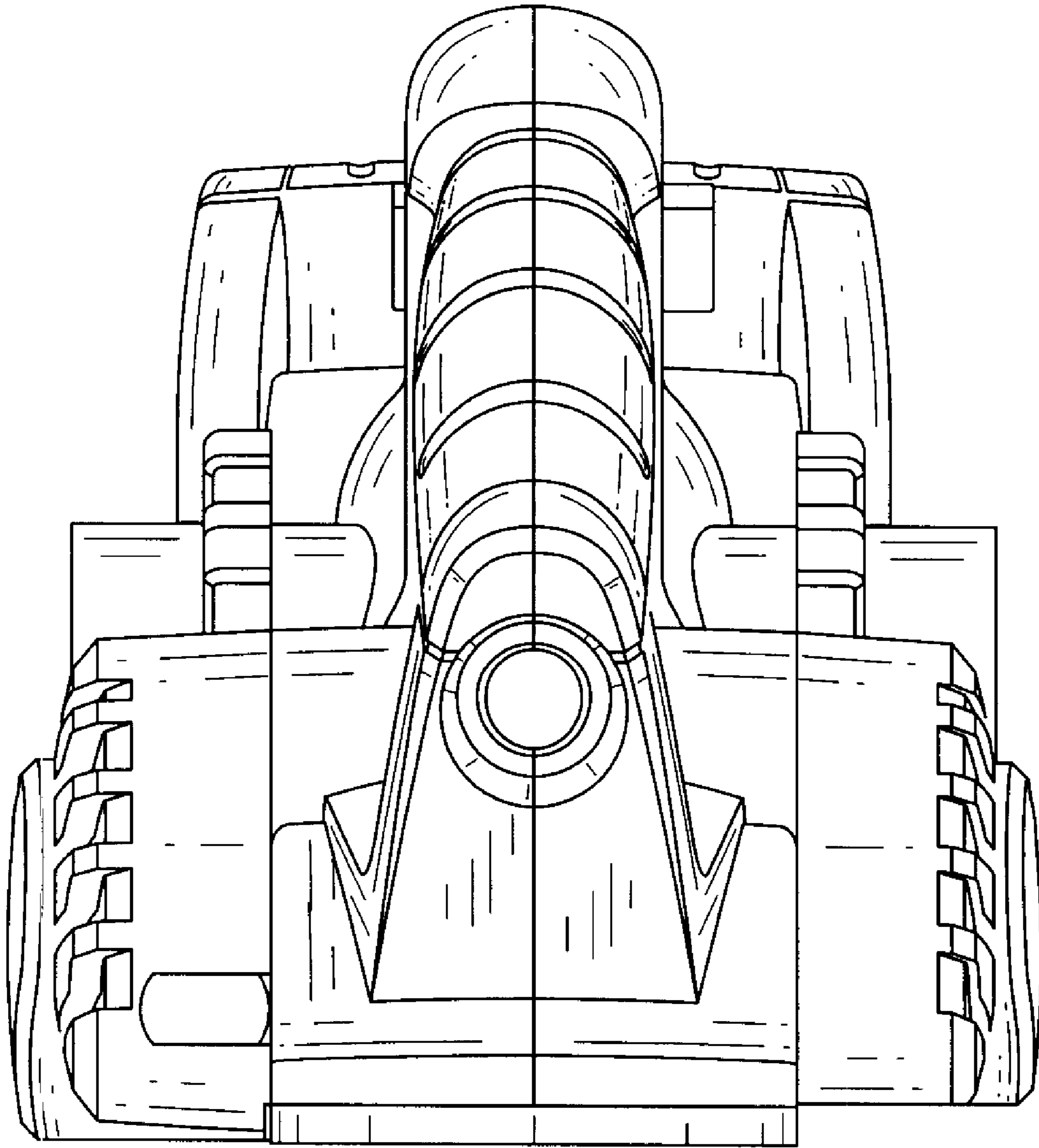


fig4

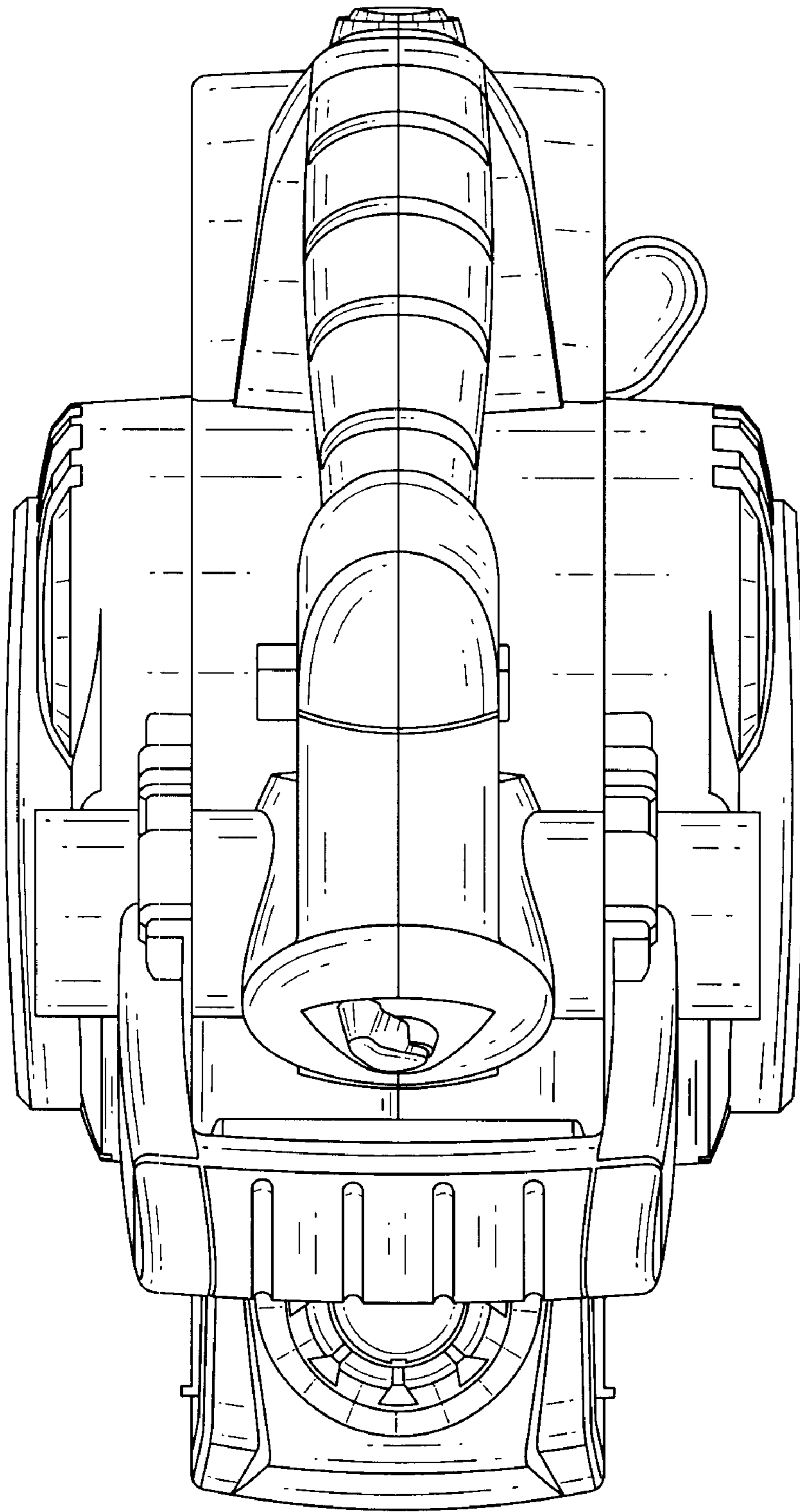


fig5

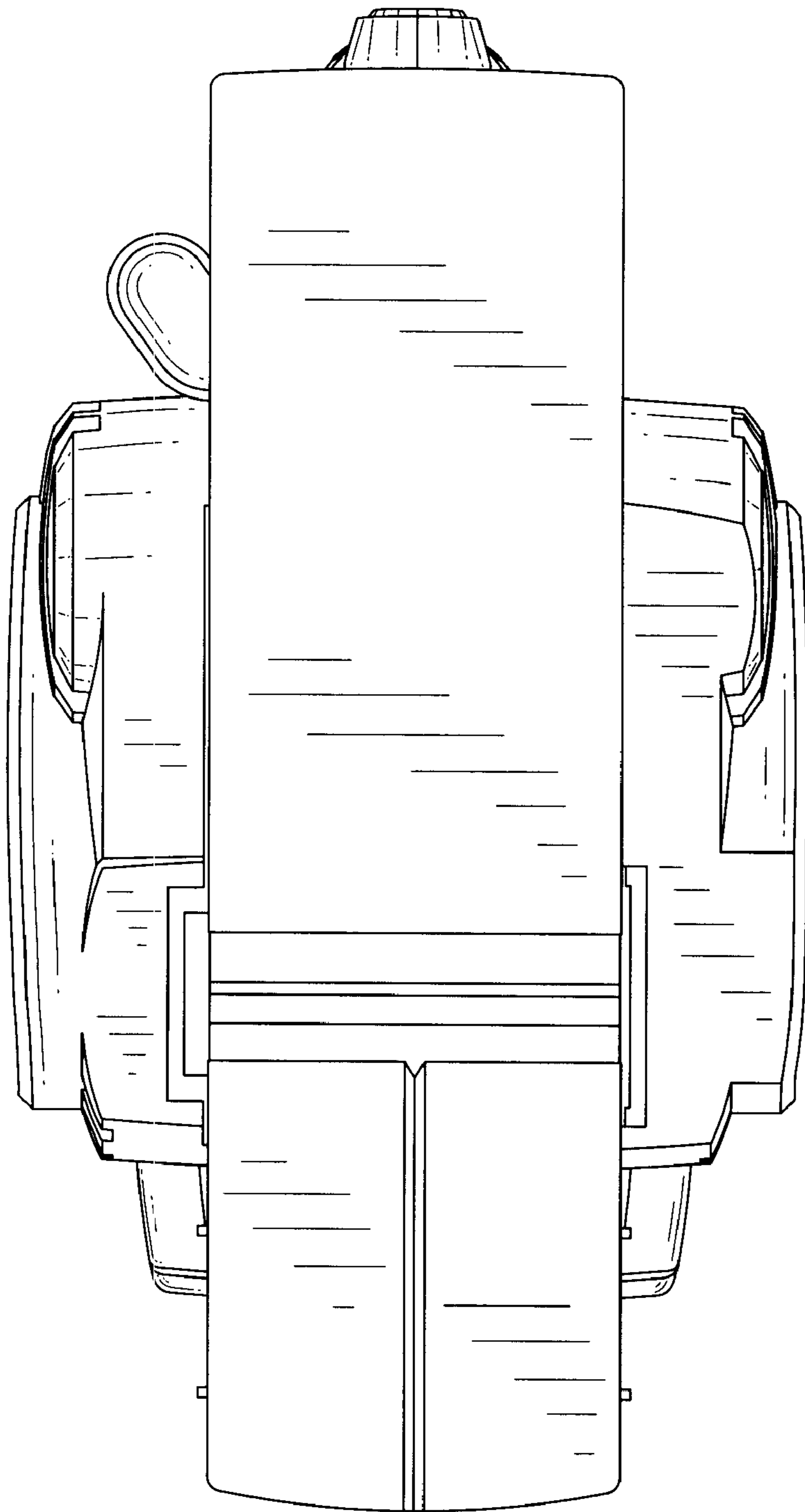


fig6

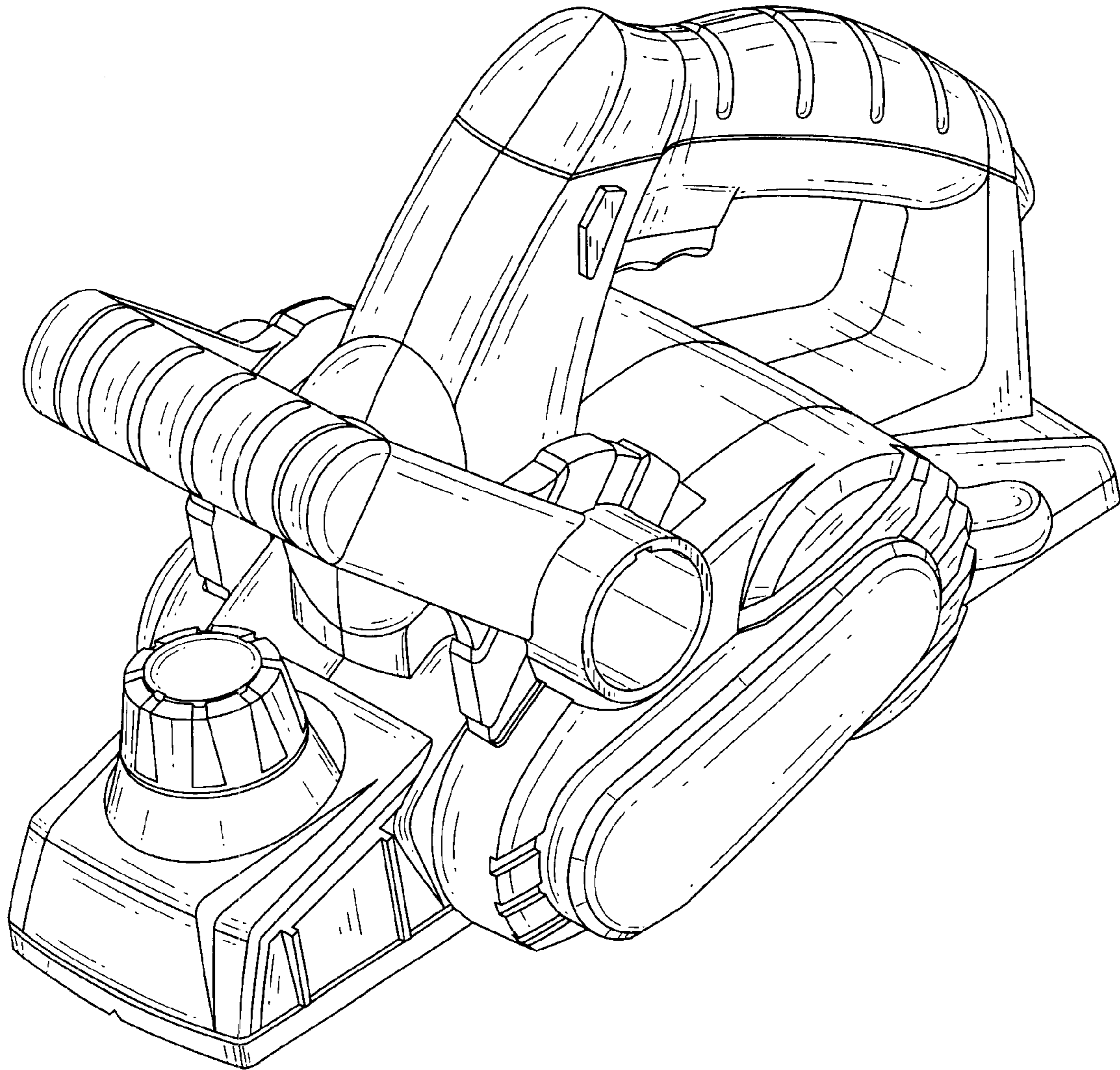


fig7