



US00D529356S

(12) **United States Design Patent**
Goto

(10) **Patent No.:** **US D529,356 S**

(45) **Date of Patent:** **** Oct. 3, 2006**

(54) **PORTABLE AIR GRINDER WITH A DUST SUCTION NOZZLE (INCLUDING A GRINDING BRUSH)**

D411,424 S * 6/1999 Saito D8/62
6,511,369 B1 * 1/2003 Chi 451/344
6,716,095 B1 * 4/2004 Hsu et al. 451/358
D506,662 S * 6/2005 Watson D8/62

(75) Inventor: **Hiroaki Goto**, Nagano-Prefecture (JP)

* cited by examiner

(73) Assignee: **Goto Electronic Works Co., Ltd.**,
Nagano-Prefecture (JP)

Primary Examiner—Cathron C. Brooks

Assistant Examiner—Austin Murphy

(**) Term: **14 Years**

(74) *Attorney, Agent, or Firm*—Bacon & Thomas

(21) Appl. No.: **29/235,801**

(22) Filed: **Aug. 8, 2005**

(30) **Foreign Application Priority Data**

Apr. 8, 2005 (JP) 2005-010544

(51) **LOC (8) Cl.** **08-01**

(52) **U.S. Cl.** **D8/62**

(58) **Field of Classification Search** D8/69,
D8/67, 62, 61; 173/168; 451/294, 344, 351,
451/359, 358, 357, 356, 354, 353

See application file for complete search history.

(56) **References Cited**

U.S. PATENT DOCUMENTS

D305,399 S * 1/1990 Fushiya et al. D8/62
5,826,478 A * 10/1998 Zerrer 83/169

(57) **CLAIM**

The ornamental design for a portable air grinder with a dust suction nozzle (including a grinding brush), as shown and described.

DESCRIPTION

FIG. 1 is a front view of portable air grinder with a dust suction nozzle (including a grinding brush) embodying my new design;

FIG. 2 is a rear view thereof;

FIG. 3 is a right side view thereof;

FIG. 4 is a left side view thereof;

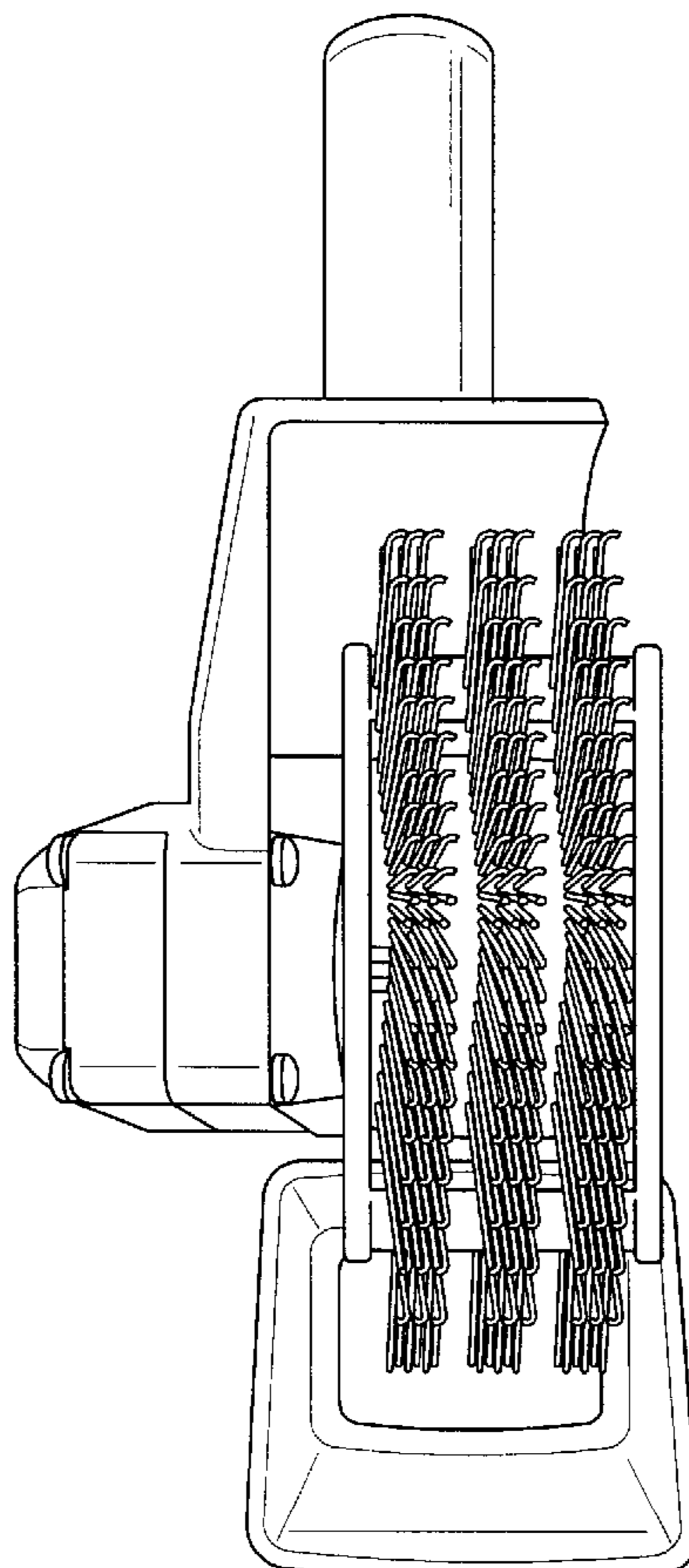
FIG. 5 is a plan view thereof;

FIG. 6 is a bottom view thereof;

FIG. 7 is a front perspective view; and,

FIG. 8 is a rear perspective view.

1 Claim, 8 Drawing Sheets



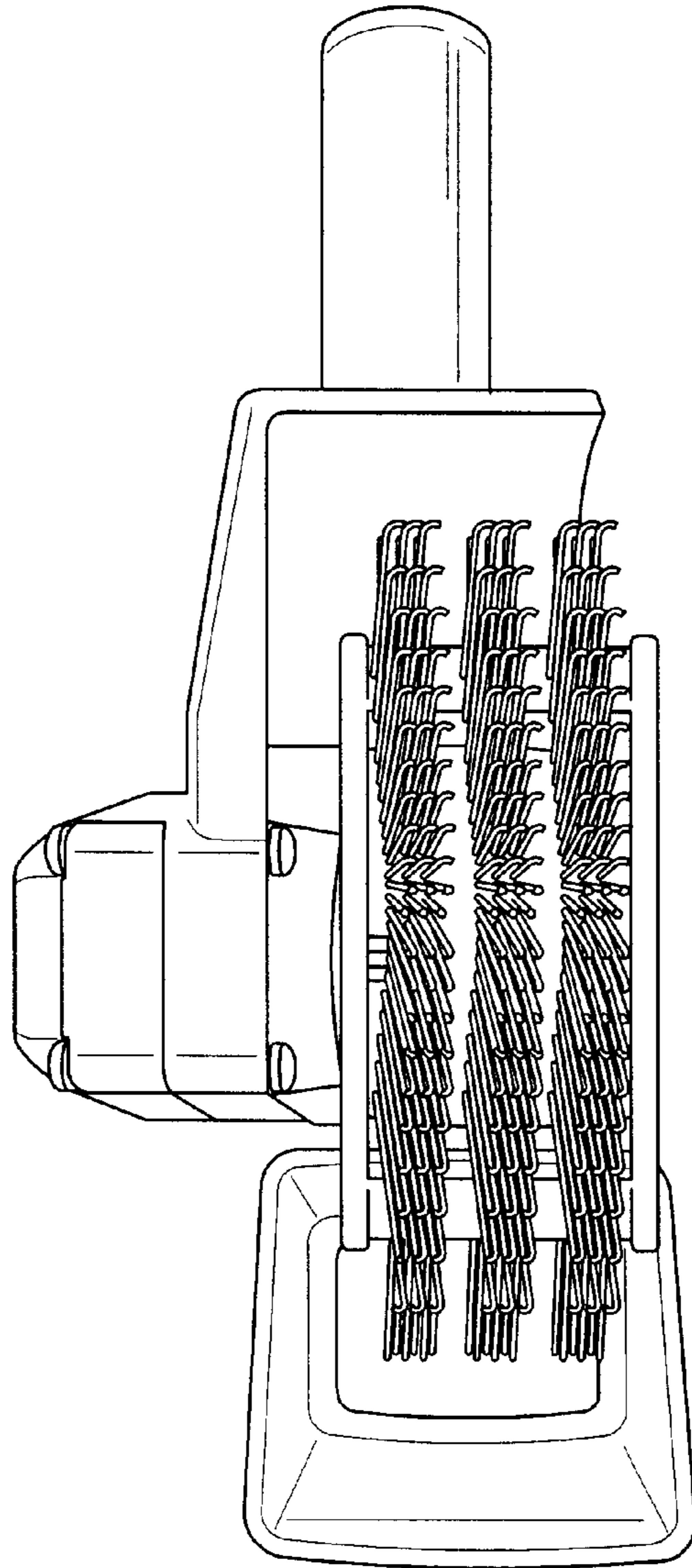


FIG. 1

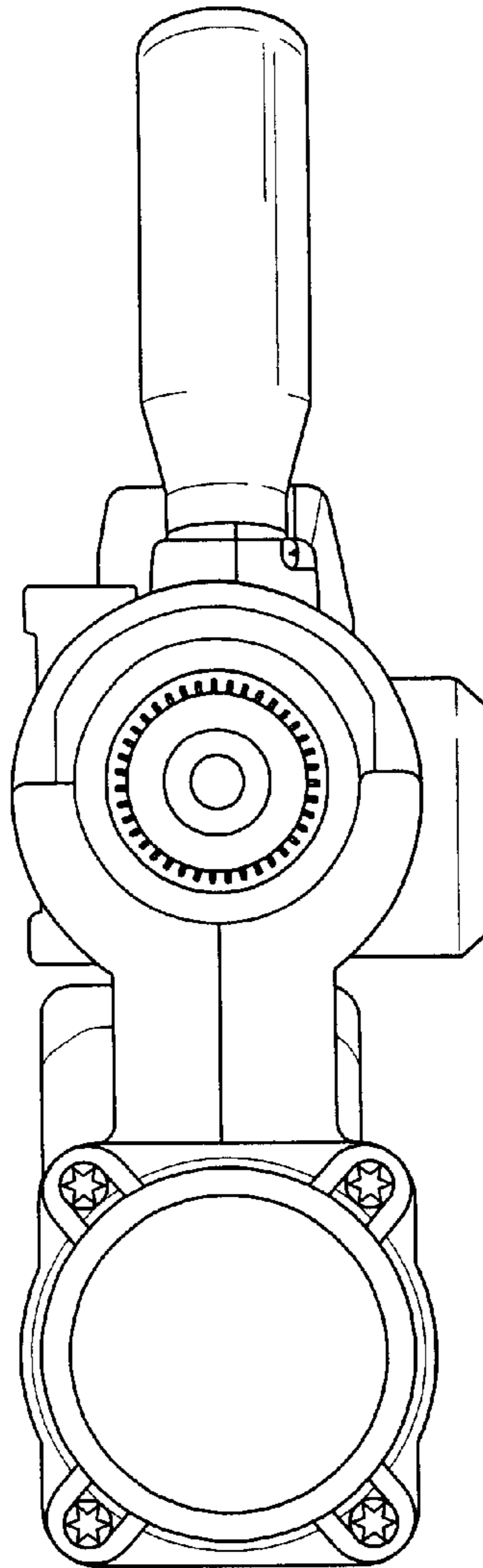


FIG. 2

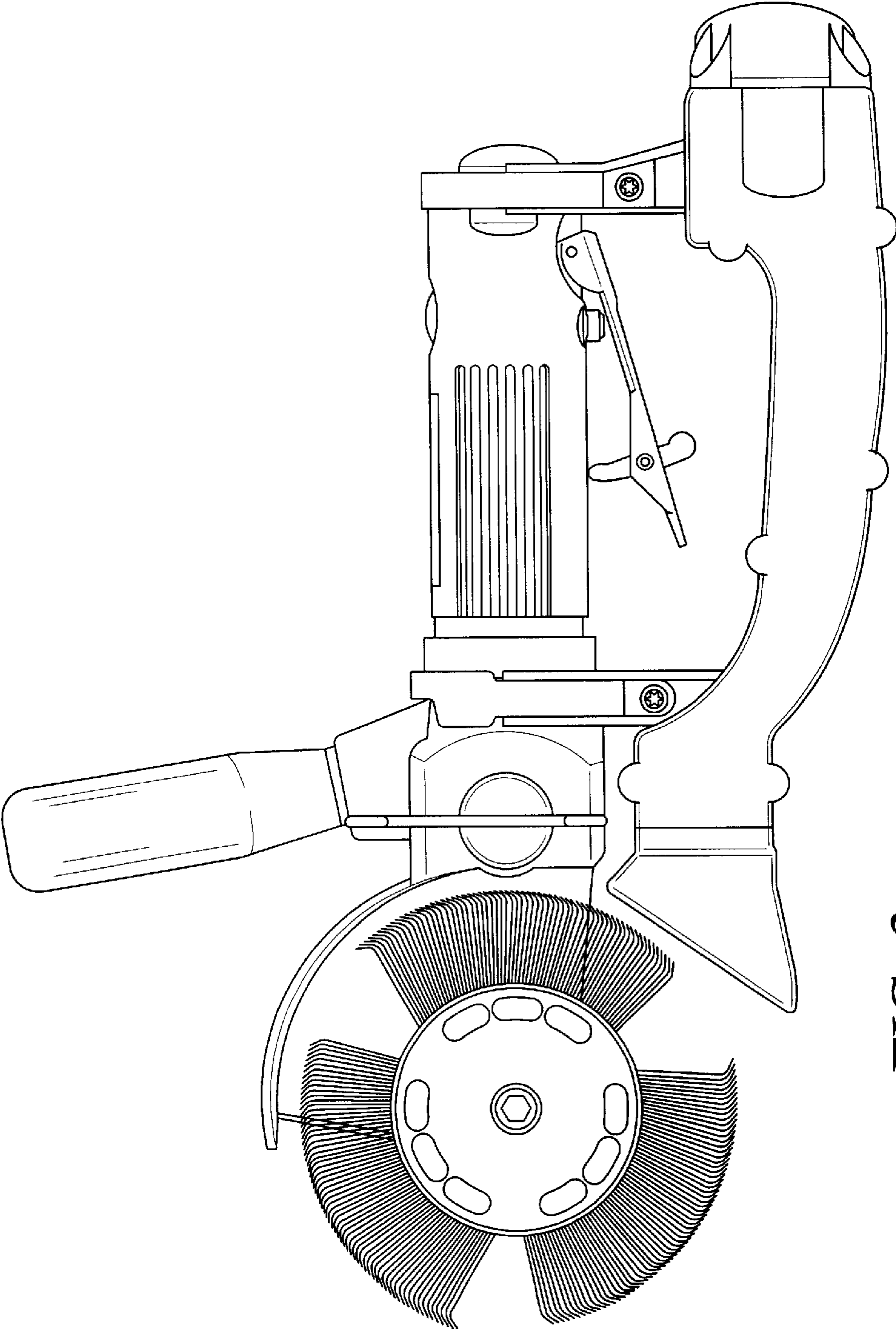


FIG. 3

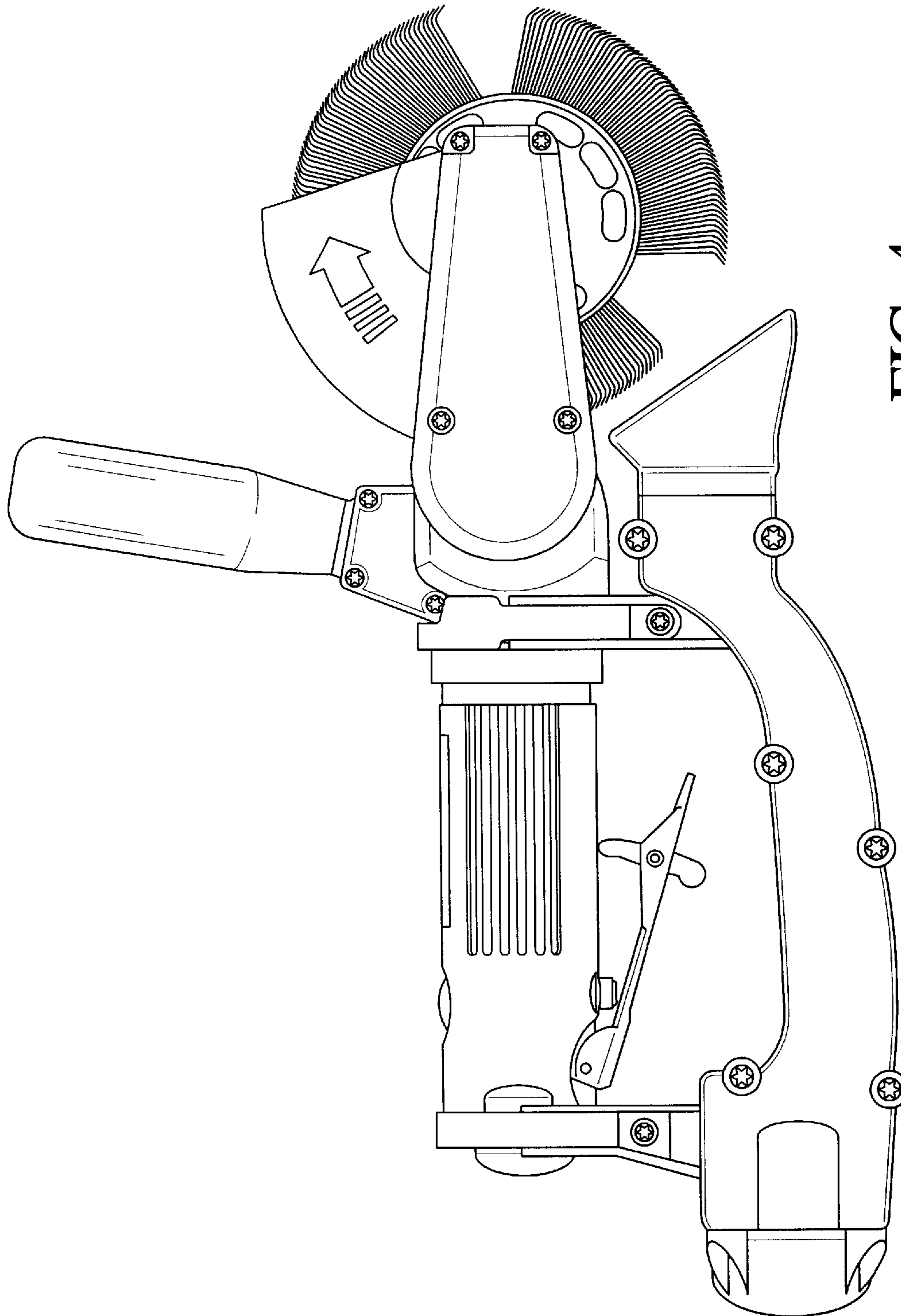


FIG. 4

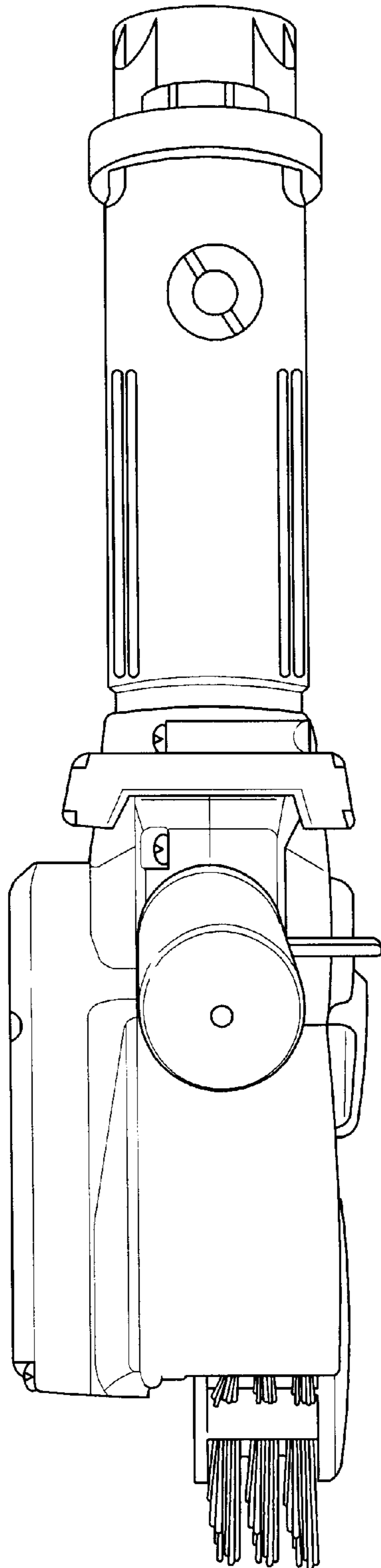


FIG. 5

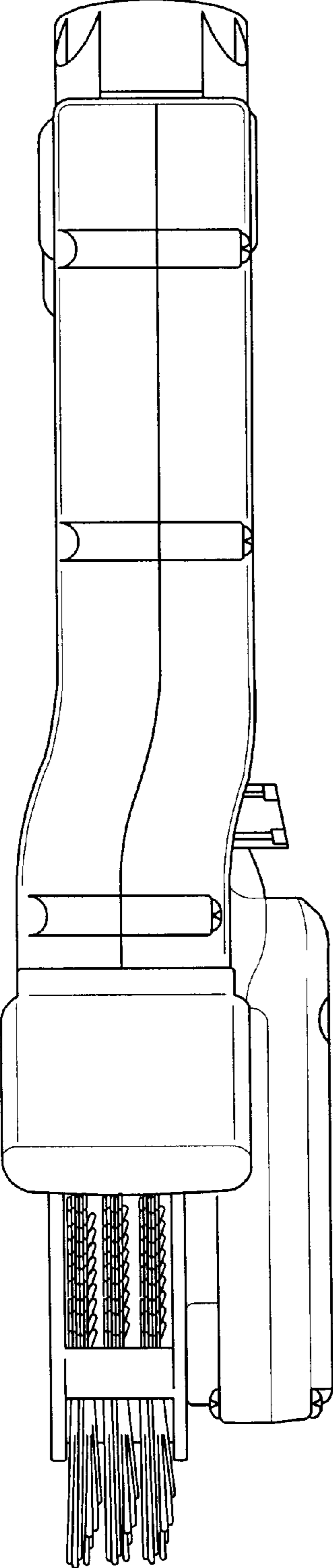
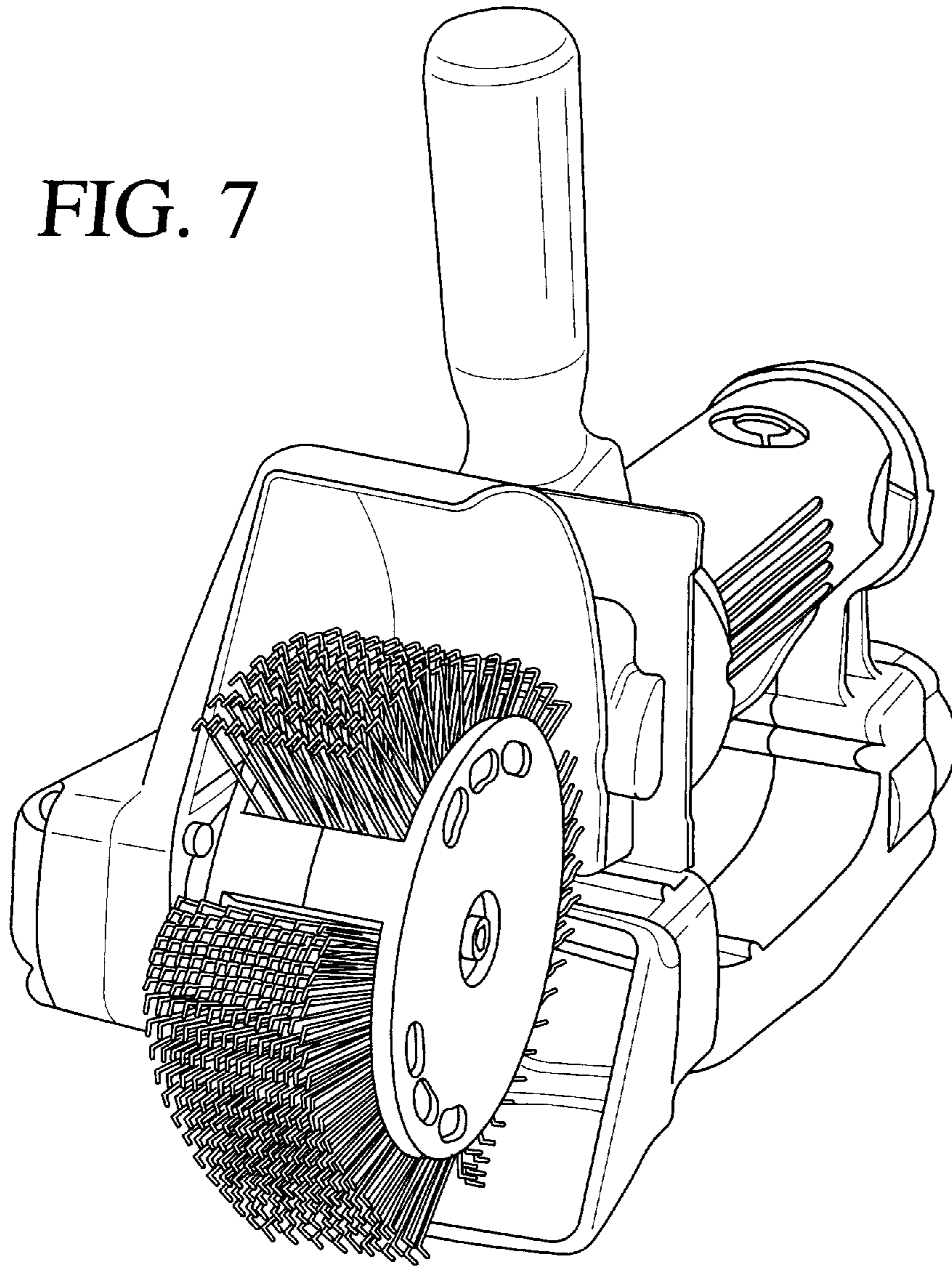


FIG. 6

FIG. 7



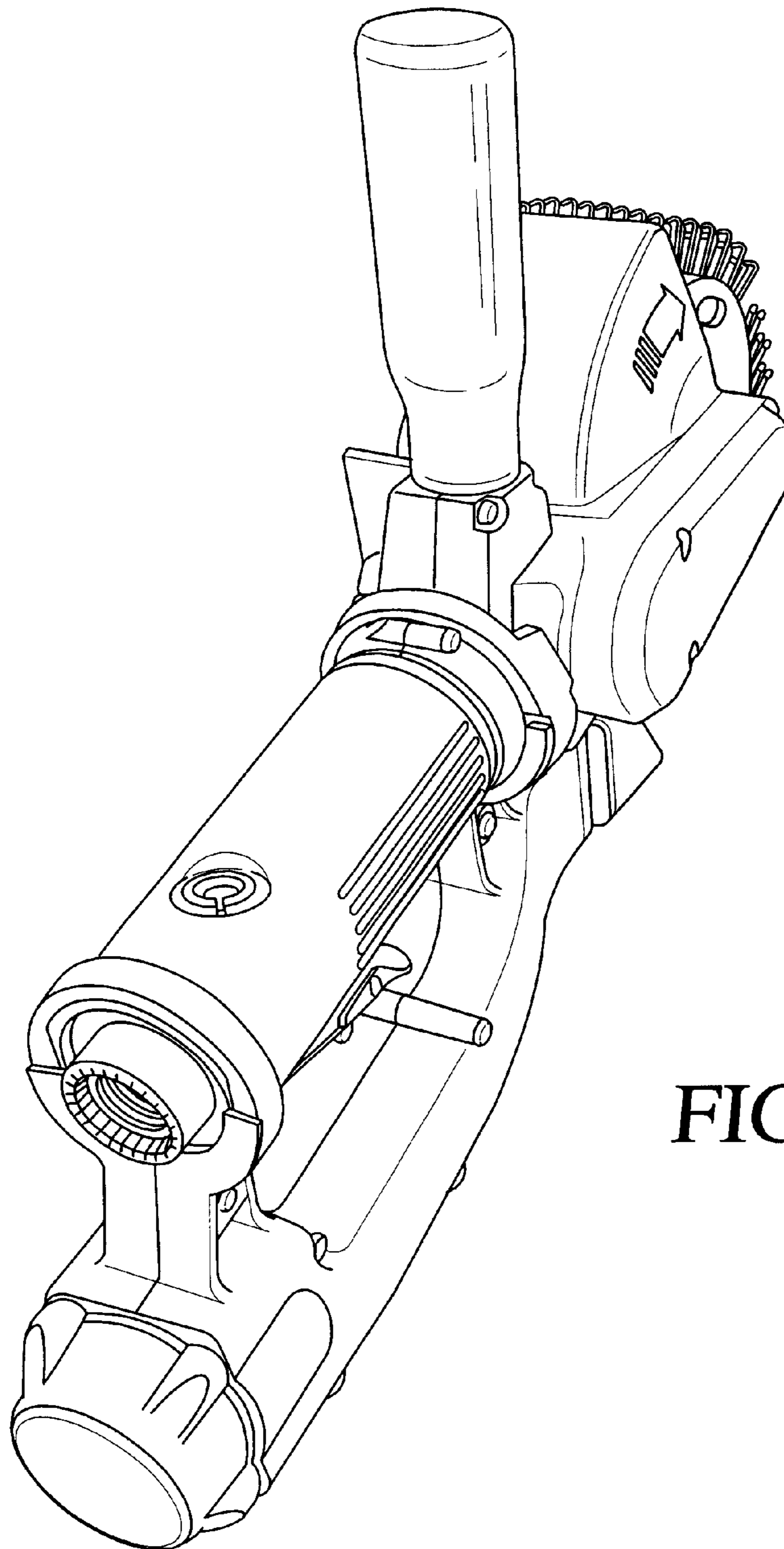


FIG. 8