



US00D529351S

(12) **United States Design Patent**
Friz

(10) **Patent No.:** **US D529,351 S**

(45) **Date of Patent:** **** Oct. 3, 2006**

(54) **NOTCHED TROWEL**

(75) Inventor: **Ismael Ulises Friz**, 2628 SE. 17th Pl.,
Cape Coral, FL (US) 33904

(73) Assignee: **Ismael Ulises Friz**, Cape Coral, FL
(US)

(**) Term: **14 Years**

(21) Appl. No.: **29/227,014**

(22) Filed: **Apr. 6, 2005**

(51) **LOC (8) Cl.** **08-05**

(52) **U.S. Cl.** **D8/45**

(58) **Field of Classification Search** D8/14,
D8/45; 15/235.4, 235.6, 236.08, 236.06
See application file for complete search history.

(56) **References Cited**

U.S. PATENT DOCUMENTS

2,253,116	A	*	8/1941	Findlay	172/13
2,395,186	A	*	2/1946	Jones	15/235.6
3,023,444	A	*	3/1962	Tims, Jr.	15/235.6
D317,854	S	*	7/1991	Pifalo	D8/11
5,231,729	A	*	8/1993	Rose	15/235.4
5,479,675	A	*	1/1996	Pytlewski	15/235.4
D374,382	S	*	10/1996	Smith	D8/13

6,178,586	B1	*	1/2001	Jafarmadar	15/235.6
6,205,610	B1	*	3/2001	Westthorp	15/235.4
D516,887	S	*	3/2006	Miller	D8/45

OTHER PUBLICATIONS

Bon Tool Company Catalog, 2003, Notched Towels, Found on Google catalogs search engine.*

* cited by examiner

Primary Examiner—Philip S. Hyder

(57) **CLAIM**

The ornamental design for a notched trowel, is as shown and described.

DESCRIPTION

FIG. 1 is a perspective view of a notched trowel, showing my new design;
FIG. 2 is an elevation view showing one side thereof;
FIG. 3 is an elevation view showing the other side thereof;
FIG. 4 is a top plan view thereof;
FIG. 5 is a bottom plan view thereof;
FIG. 6 is a front elevation view thereof; and,
FIG. 7 is a rear elevation view thereof.
The broken line showing of handle is for illustrative purposes only and forms no part of the claimed design.

1 Claim, 2 Drawing Sheets

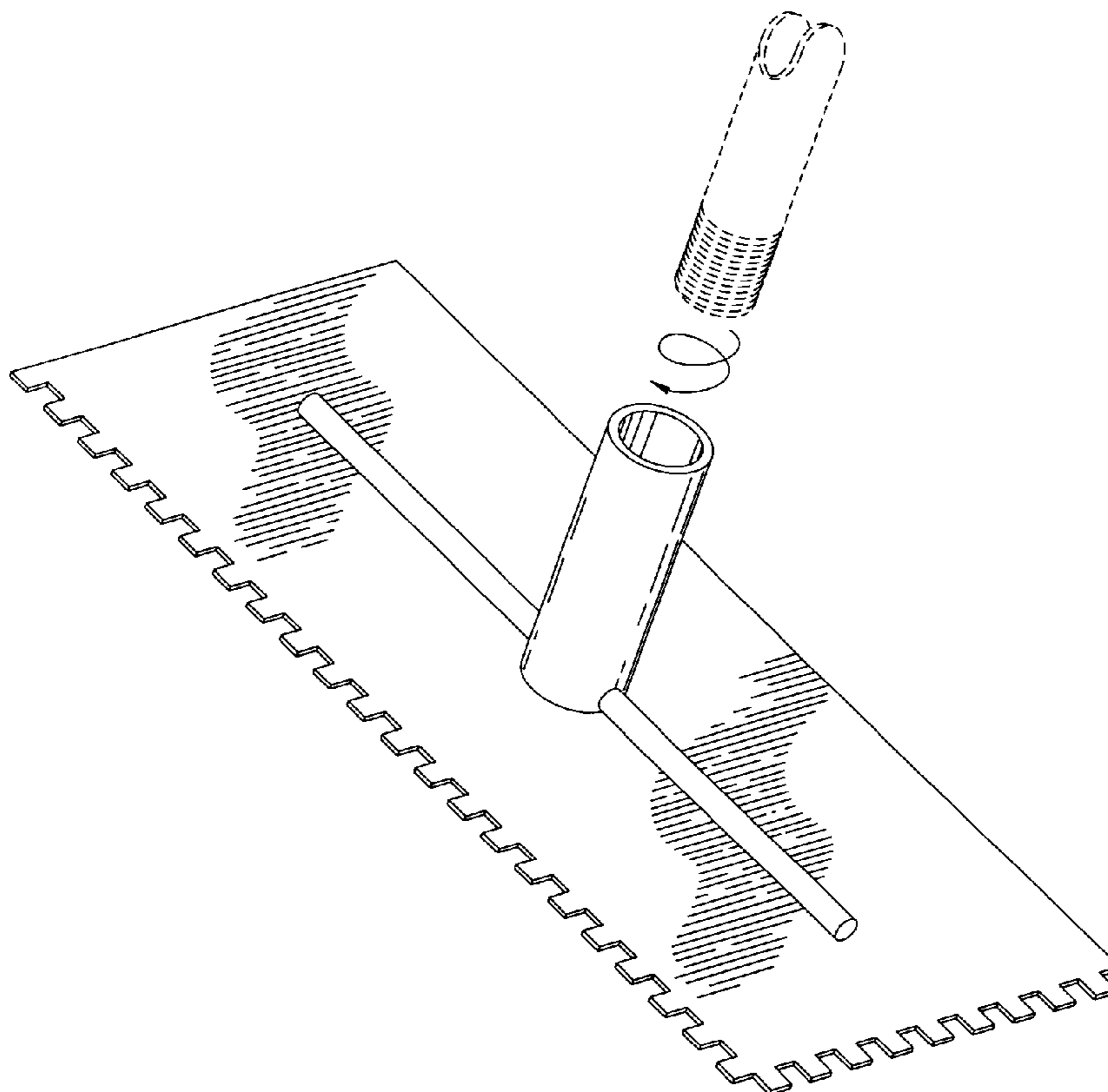


Fig 1

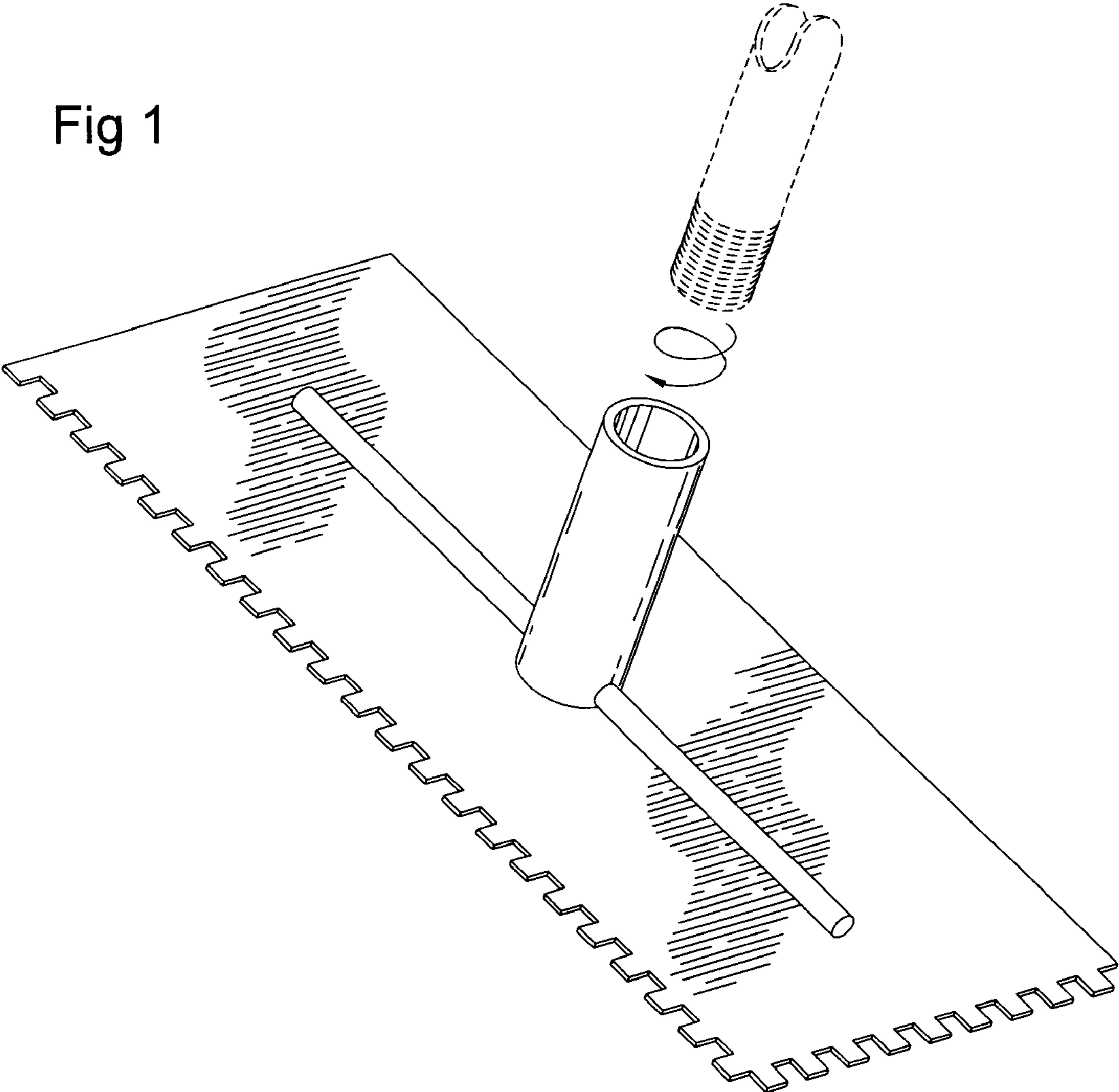


Fig 2

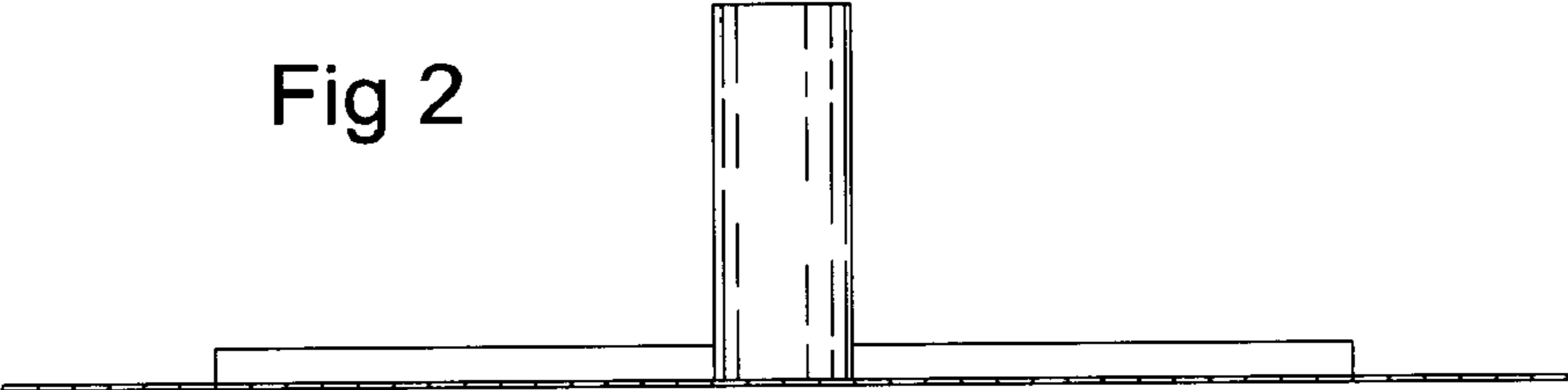


Fig 3

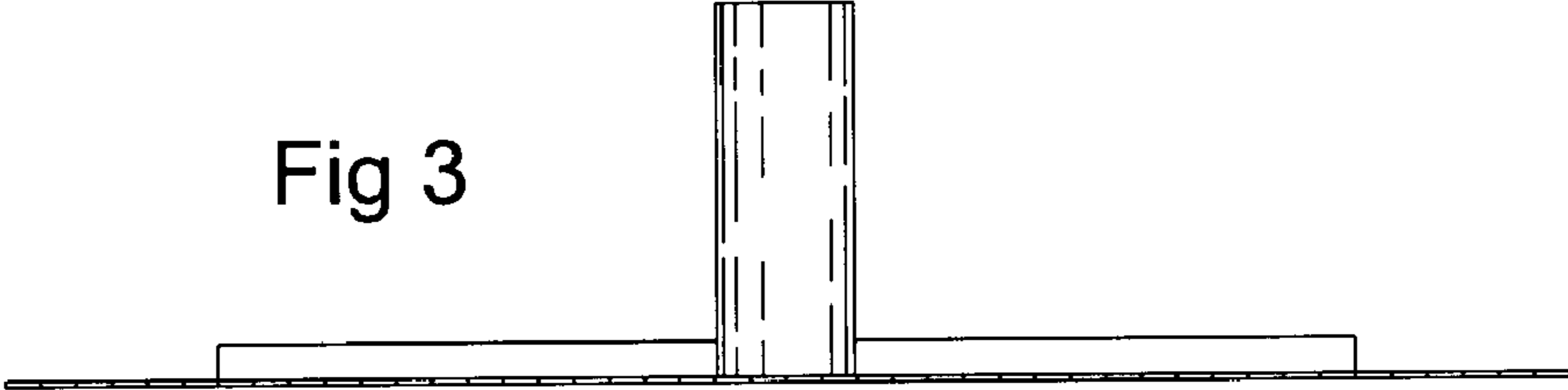


Fig 4

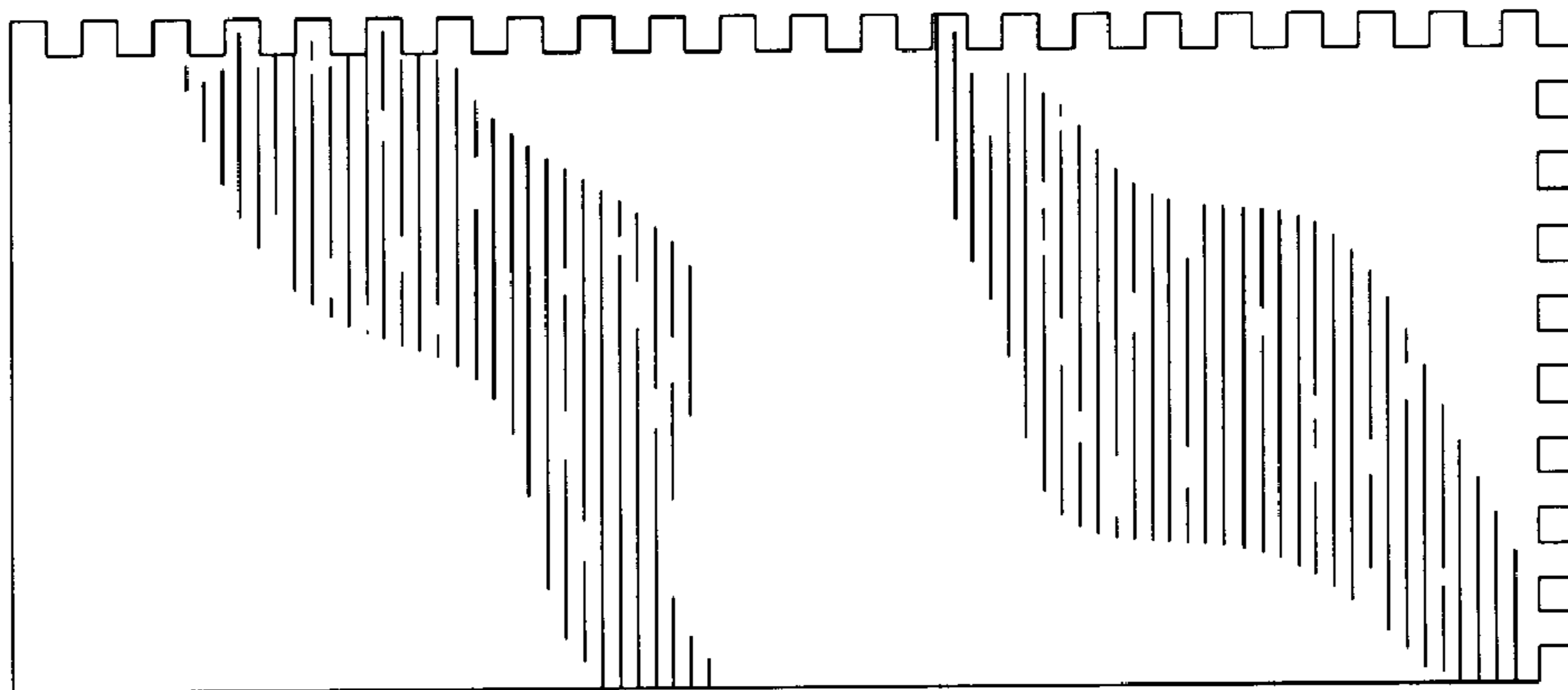
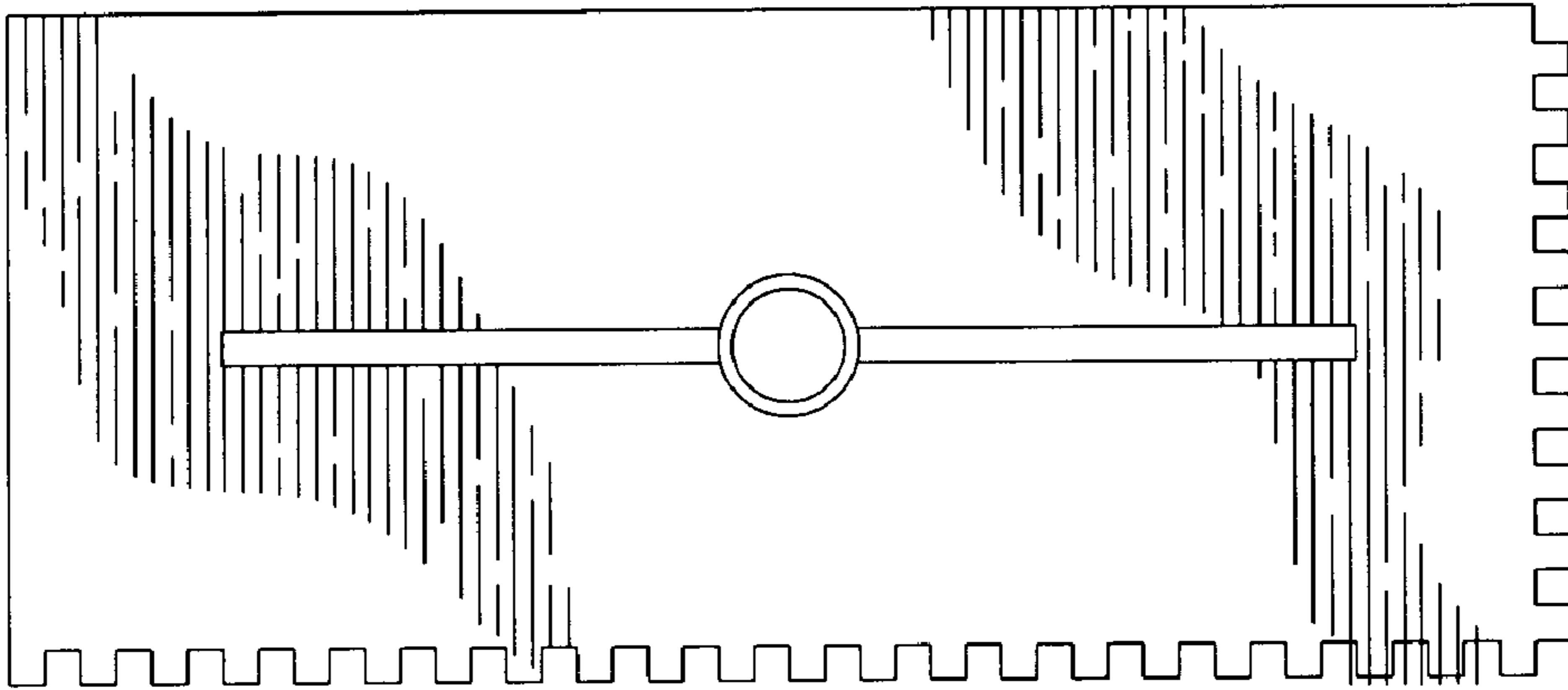


Fig 5

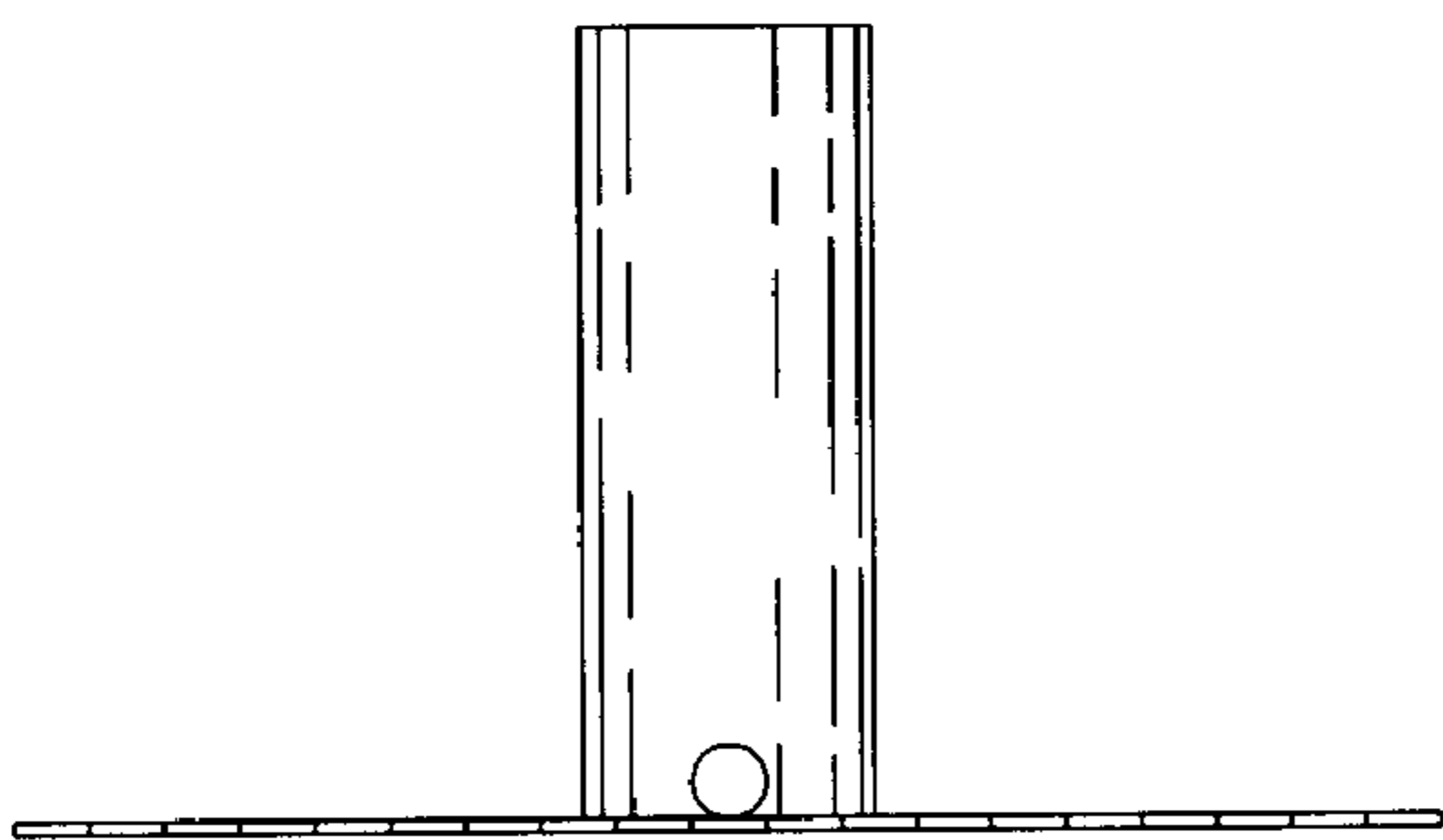


Fig 6

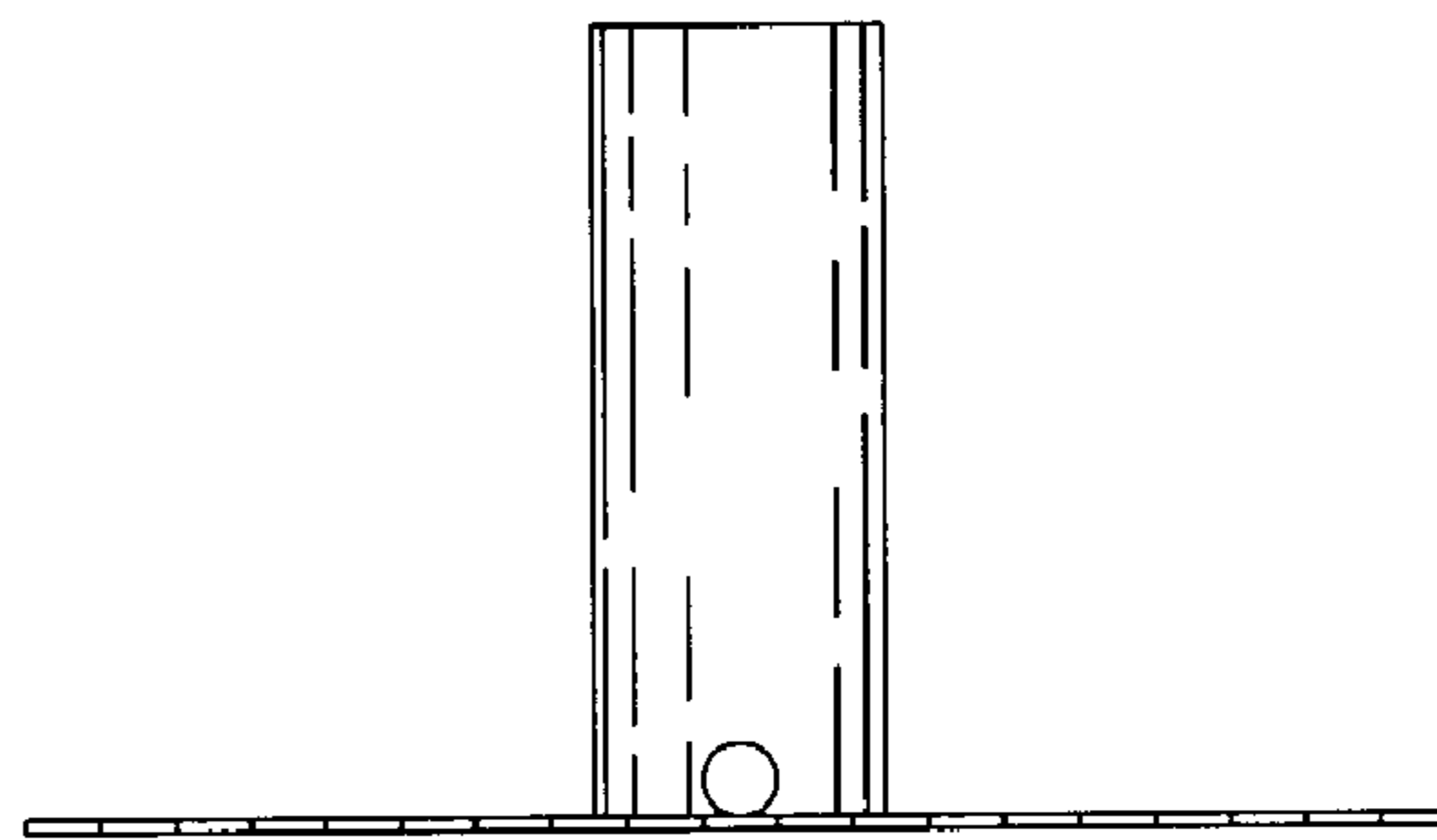


Fig 7