



US00D529347S

(12) **United States Design Patent**
Goodman et al.

(10) **Patent No.:** **US D529,347 S**
(45) **Date of Patent:** **** Oct. 3, 2006**

(54) **IN-CABINET MUG HOLDER**

(75) Inventors: **Sheldon H. Goodman**, Solon, OH
(US); **Robert L. Blackadar**, Medina,
OH (US)

(73) Assignee: **Spectrum Diversified Designs, Inc.**,
Streetsboro, OH (US)

(**) Term: **14 Years**

(21) Appl. No.: **29/238,936**

(22) Filed: **Sep. 23, 2005**

(51) **LOC (8) Cl.** **06-04**

(52) **U.S. Cl.** **D7/704; D6/513**

(58) **Field of Classification Search** D7/701-708;
D6/513, 514, 462-468; 211/60.1, 41.2, 70.1,
211/70.6, 71.01, 74, 85.39, 86, 106, 113,
211/119, 162, 94.02, 75

See application file for complete search history.

(56) **References Cited**

U.S. PATENT DOCUMENTS

3,214,031 A * 10/1965 McCauley 211/41.2

3,568,850 A * 3/1971 Rogers 211/41.2
D295,126 S * 4/1988 Chap D7/704
D308,924 S * 7/1990 VanNoord D6/513
5,711,436 A * 1/1998 Moeller et al. 211/94.02

* cited by examiner

Primary Examiner—Terry A. Wallace

(74) *Attorney, Agent, or Firm*—Pearne & Gordon LLP

(57) **CLAIM**

The ornamental design for an in-cabinet mug holder, as shown and described.

DESCRIPTION

FIG. 1 is a perspective view of an in-cabinet mug holder showing our new design;

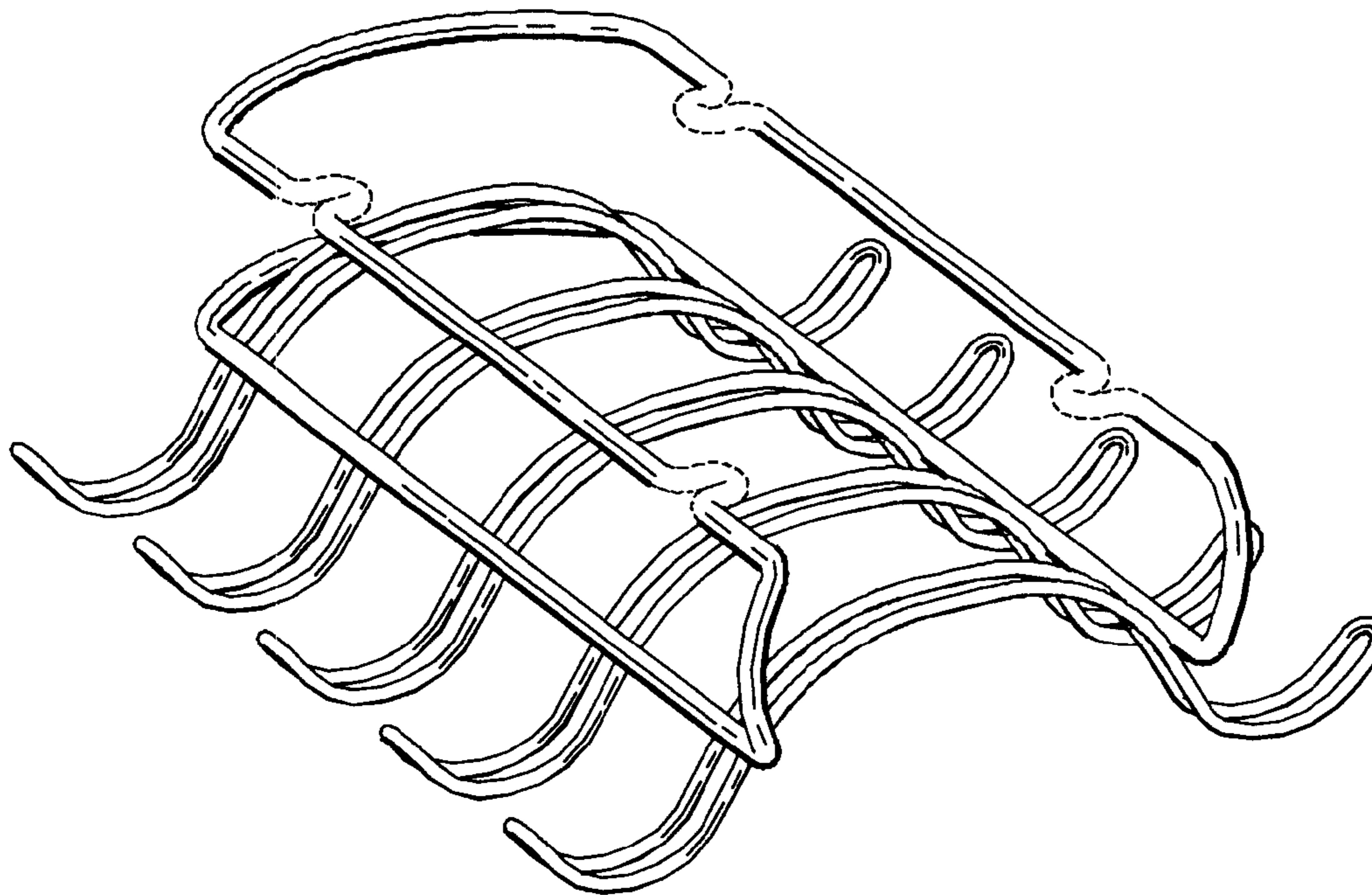
FIG. 2 is a side elevational view thereof;

FIG. 3 is a top plan view thereof; and,

FIG. 4 is front elevational view thereof.

The broken-line disclosure of elements in the views is for illustrative purposes only and forms no part of the claimed design.

1 Claim, 2 Drawing Sheets



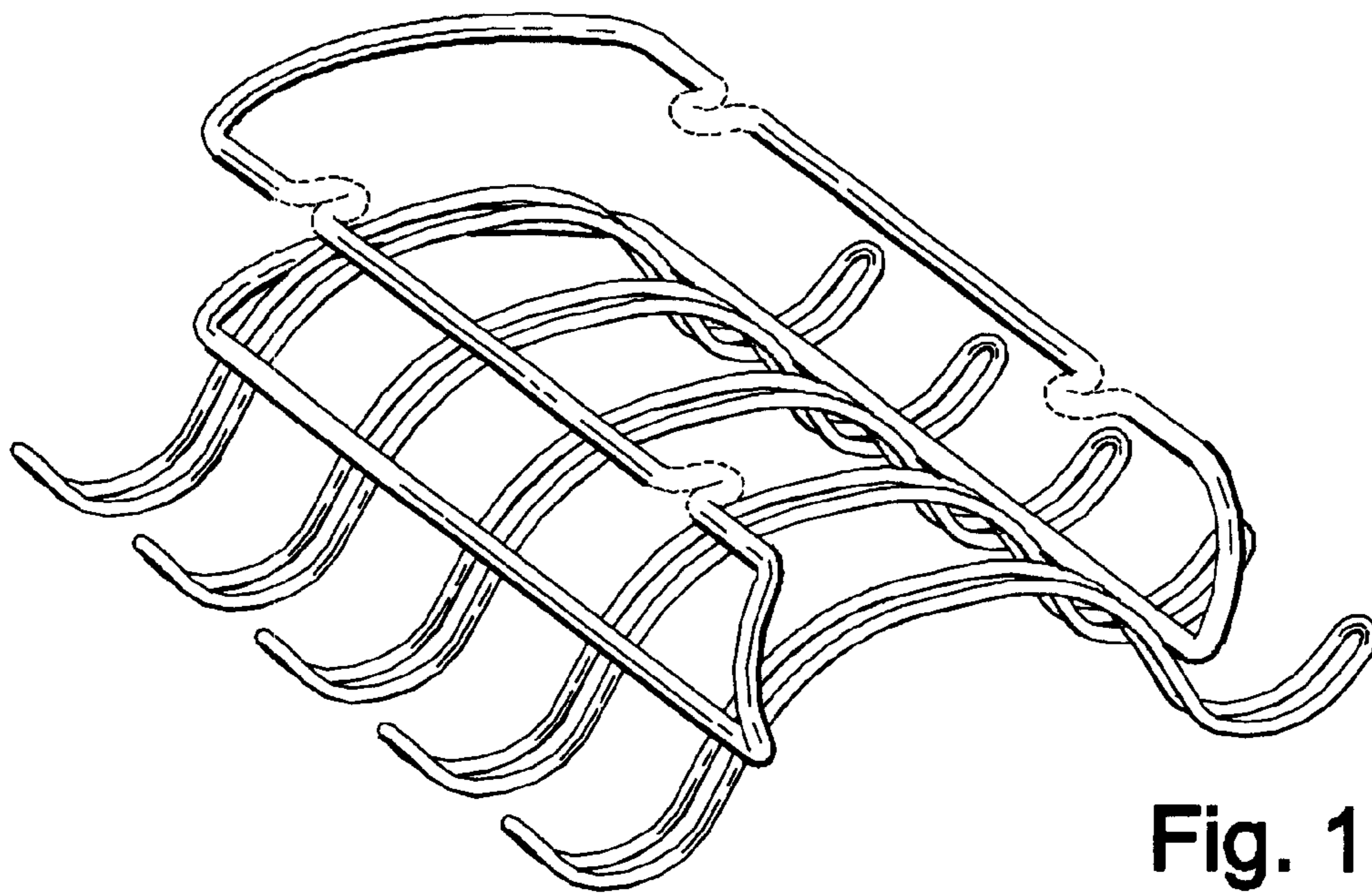


Fig. 1

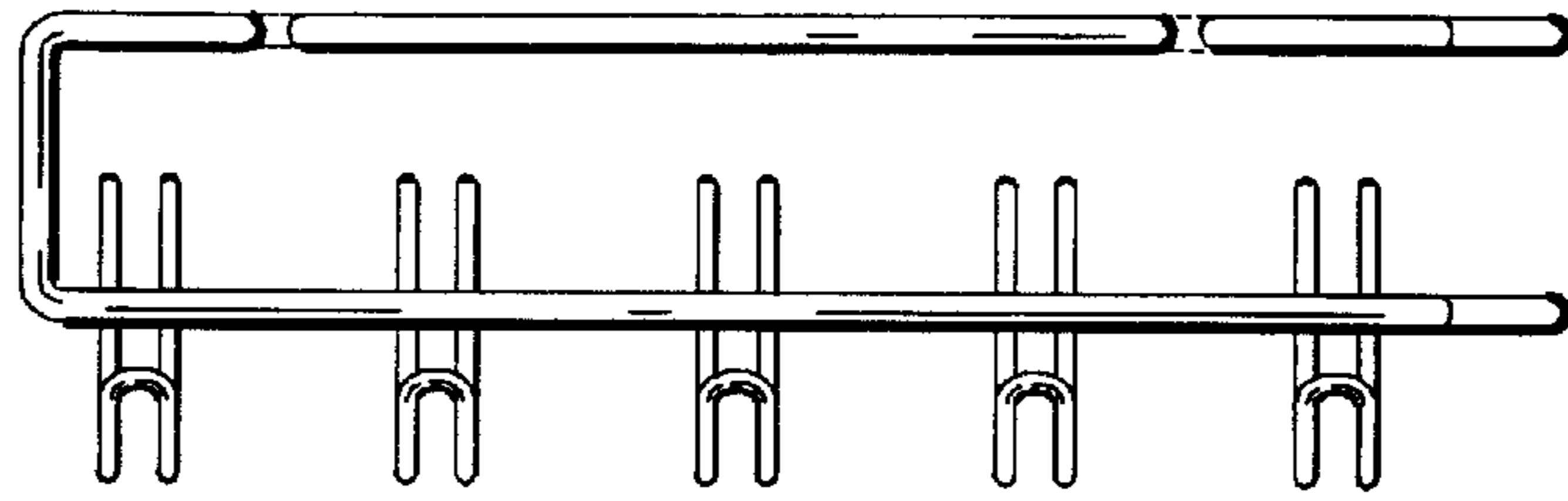


Fig. 2

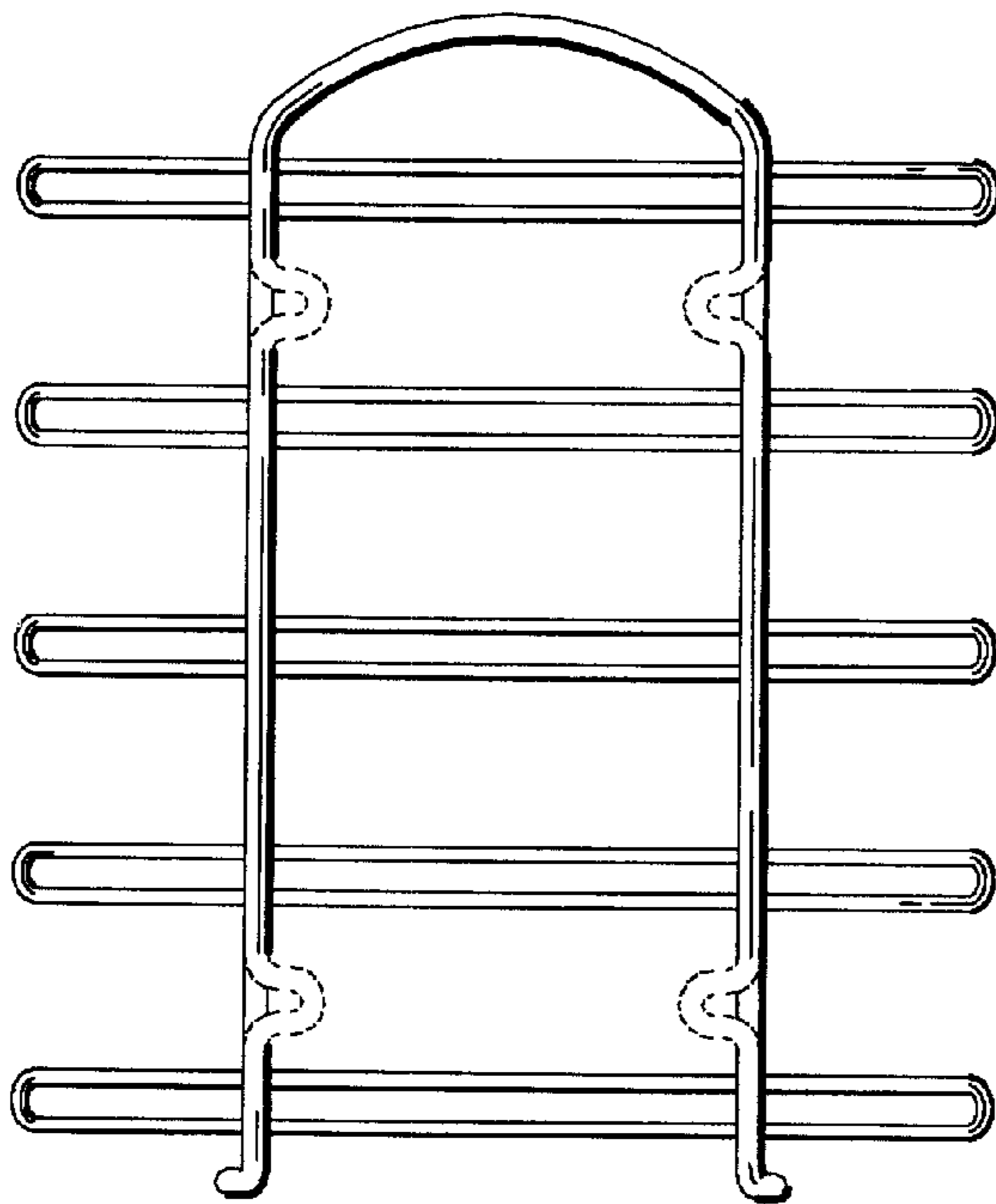


Fig. 3

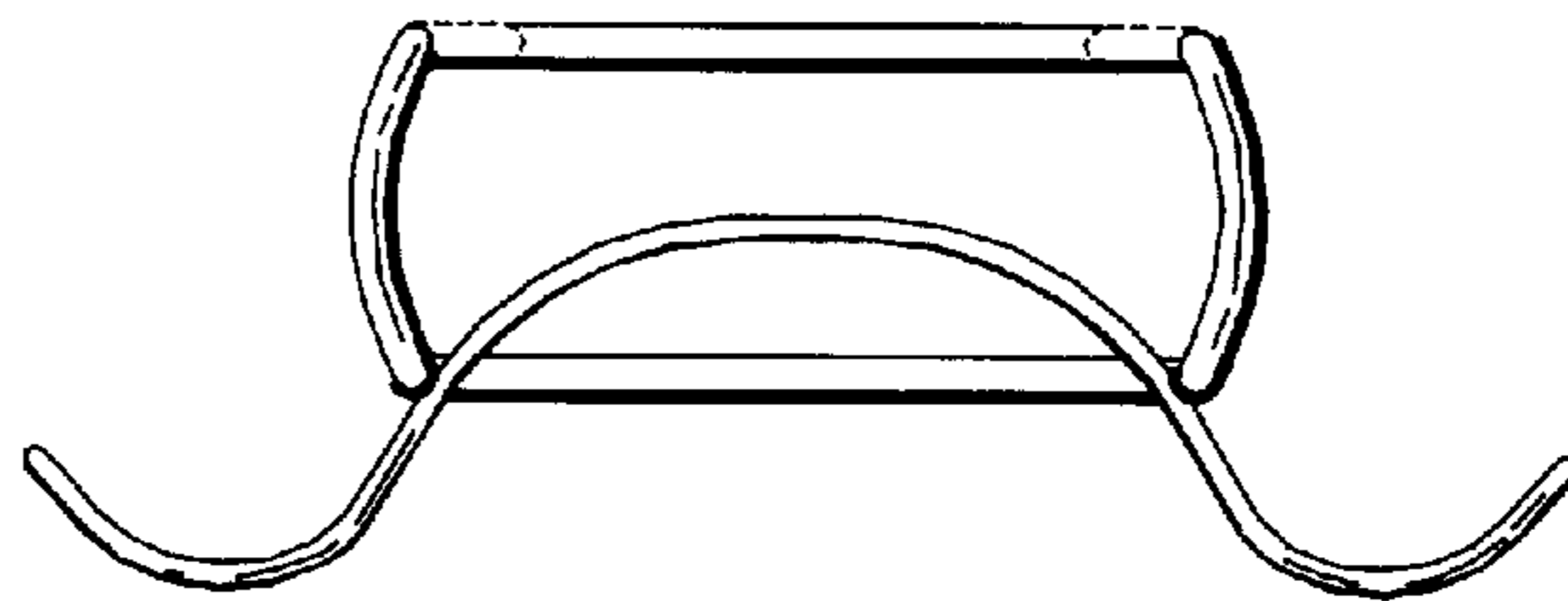


Fig. 4