



US00D529346S

(12) **United States Design Patent**
Charuwongkhachton

(10) **Patent No.:** **US D529,346 S**
(45) **Date of Patent:** **** Oct. 3, 2006**

(54) **PIZZA BOX**

D411,941 S * 7/1999 Deif D7/709

(75) Inventor: **Thaweessin Charuwongkhachton,**
Samuthsakorn (TH)

* cited by examiner

(73) Assignee: **Dynamic Promotion Co., Ltd.** (TH)

Primary Examiner—Terry A. Wallace
(74) *Attorney, Agent, or Firm*—Welsh & Katz, Ltd.;
Thomas W. Tolpin

(**) Term: **14 Years**

(57) **CLAIM**

(21) Appl. No.: **29/221,506**

The ornamental design for pizza box, substantially as shown and described.

(22) Filed: **Jan. 18, 2005**

DESCRIPTION

(51) **LOC (8) Cl.** **07-01**

(52) **U.S. Cl.** **D7/629; D7/709**

(58) **Field of Classification Search** D7/709,
D7/605–608, 629; D3/201, 203, 205, 273,
D3/291; D9/428, 429, 737, 761; 206/541–549,
206/216, 223; 220/DIG. 10

The pizza box provides a stack of containers with a carrying handle for pizzas.

See application file for complete search history.

FIG. 1 is a perspective view of a pizza box showing my new design;

(56) **References Cited**

U.S. PATENT DOCUMENTS

- 3,811,559 A * 5/1974 Carter 206/545
- D233,206 S * 10/1974 Kaufman D7/608
- D350,460 S * 9/1994 Picozza et al. D7/629

FIG. 2 is a left side view thereof; the right side view being a mirror image and symmetrical to the left side view;

FIG. 3 is a top plan view thereof;

FIG. 4 is a front view thereof, the back view thereof being a mirror image and symmetrical to the front view thereof; and,

FIG. 5 is a bottom view thereof.

1 Claim, 2 Drawing Sheets

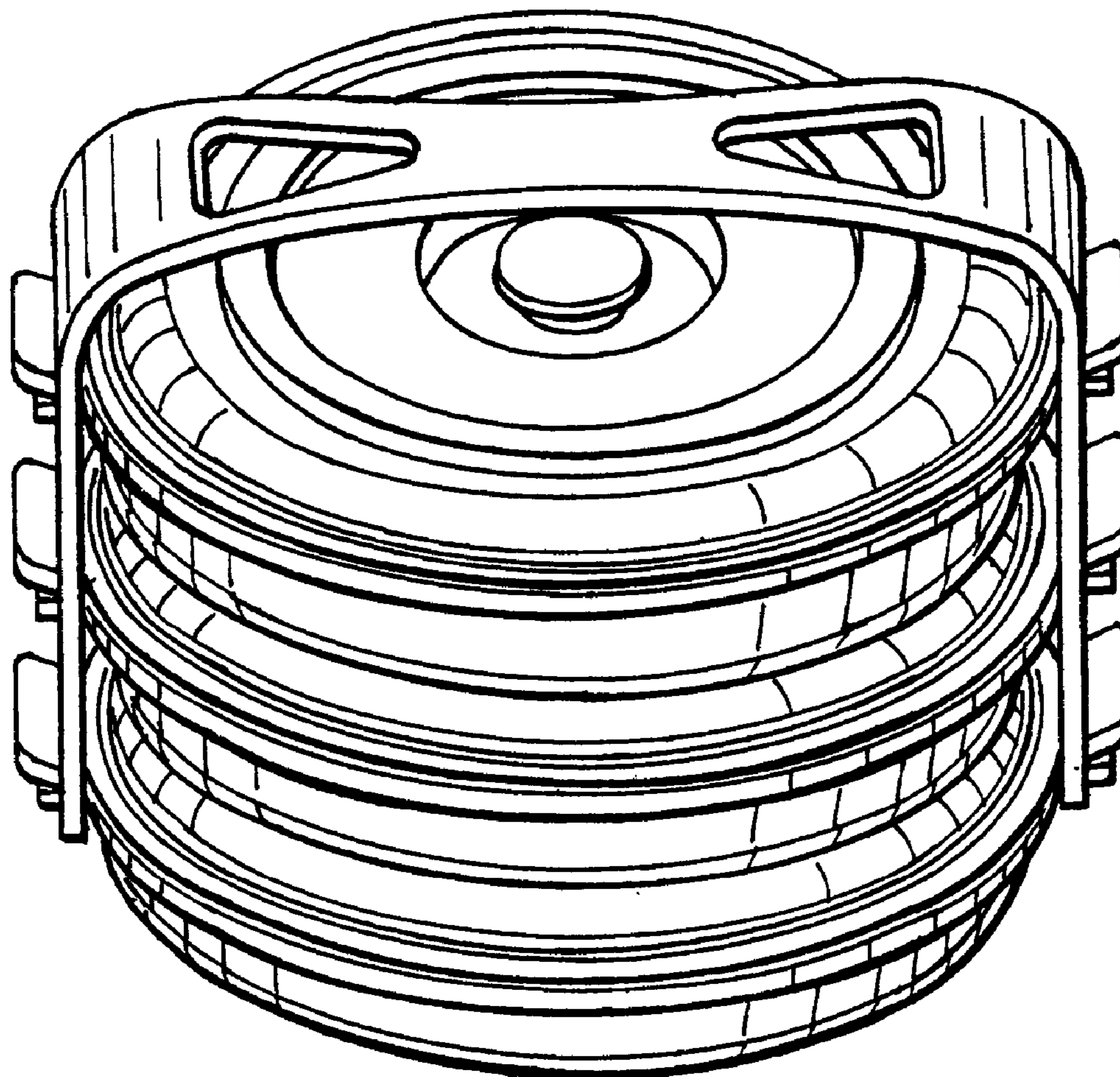


FIG. 1

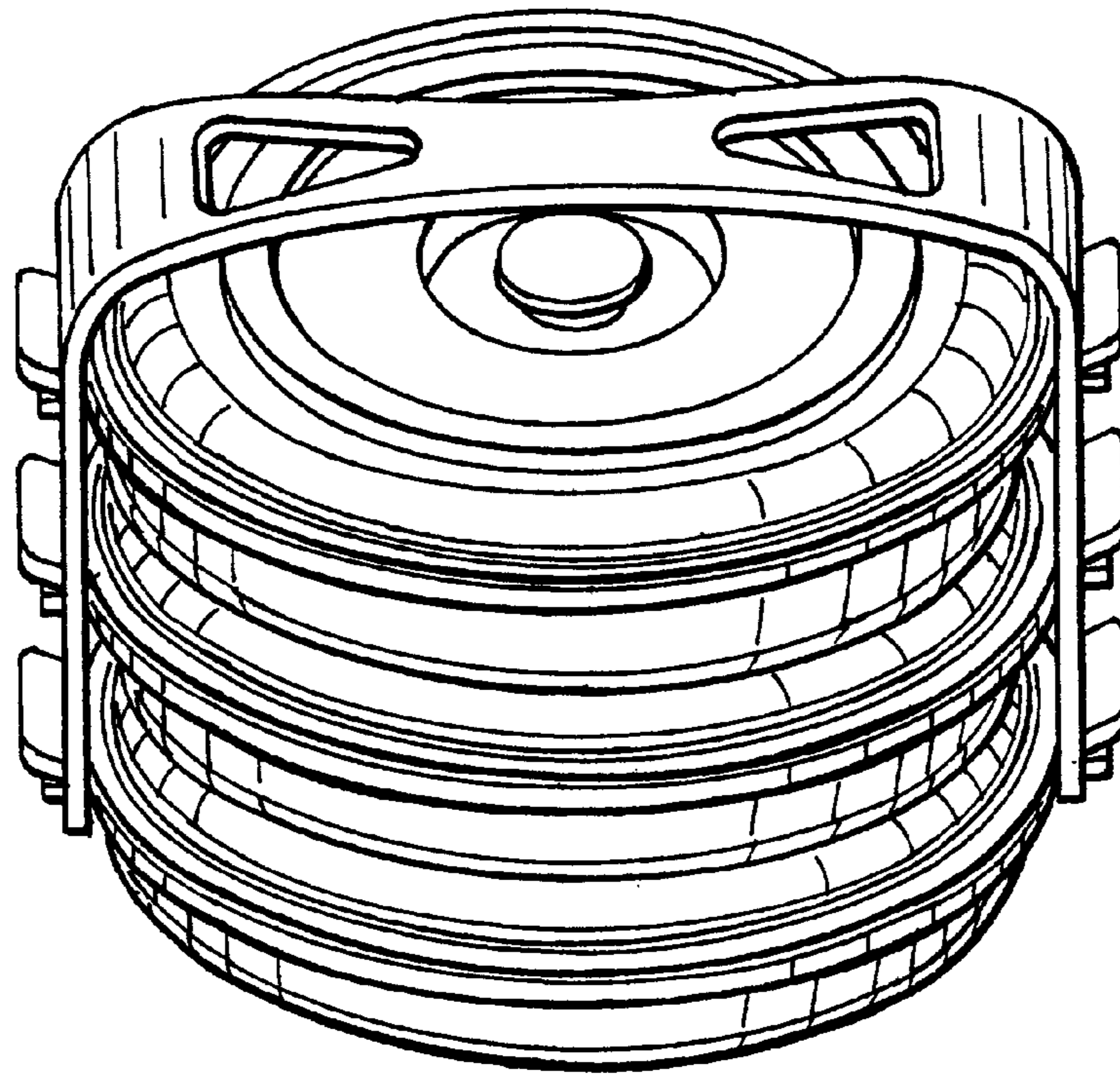


FIG. 2

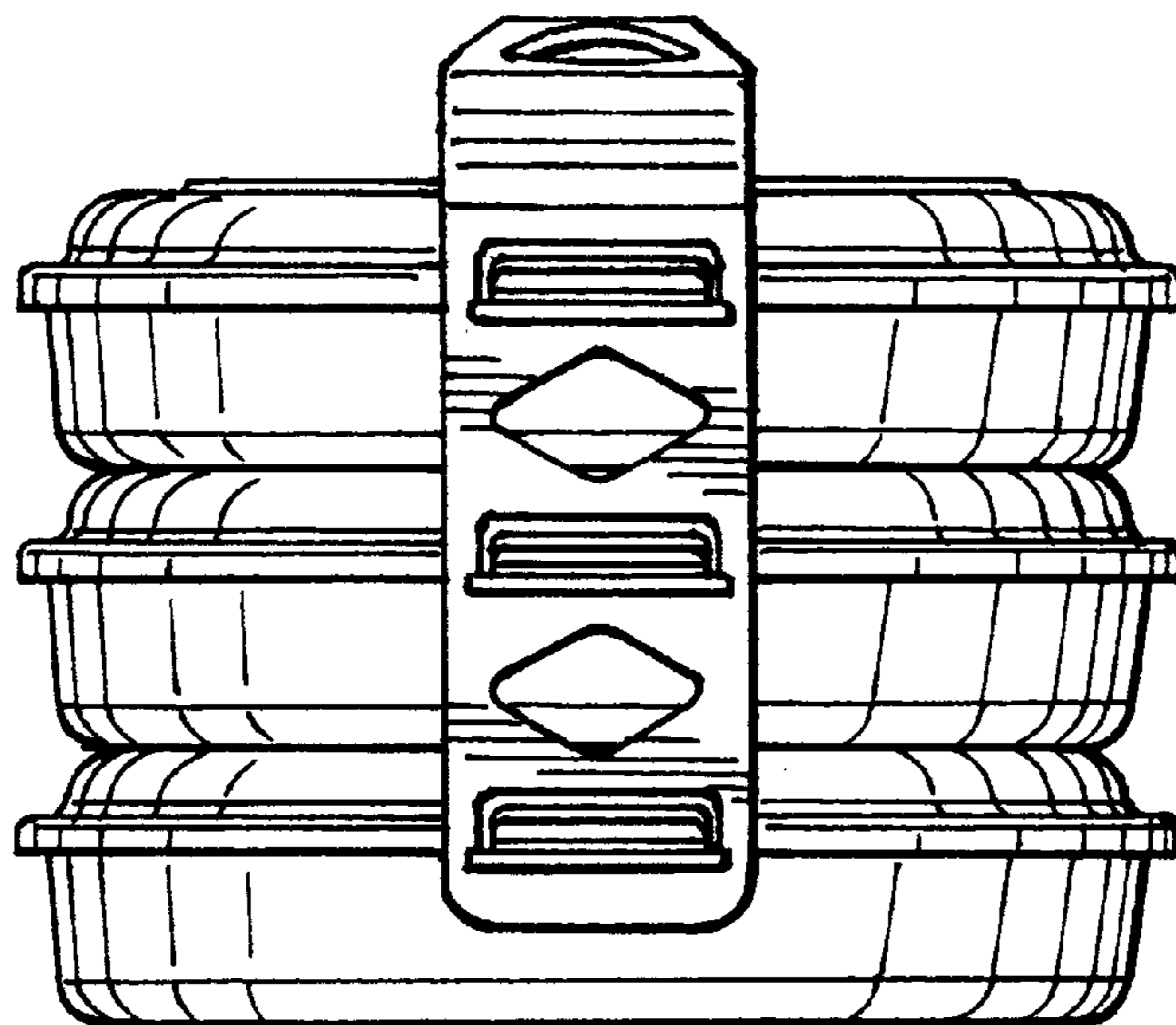


FIG.3

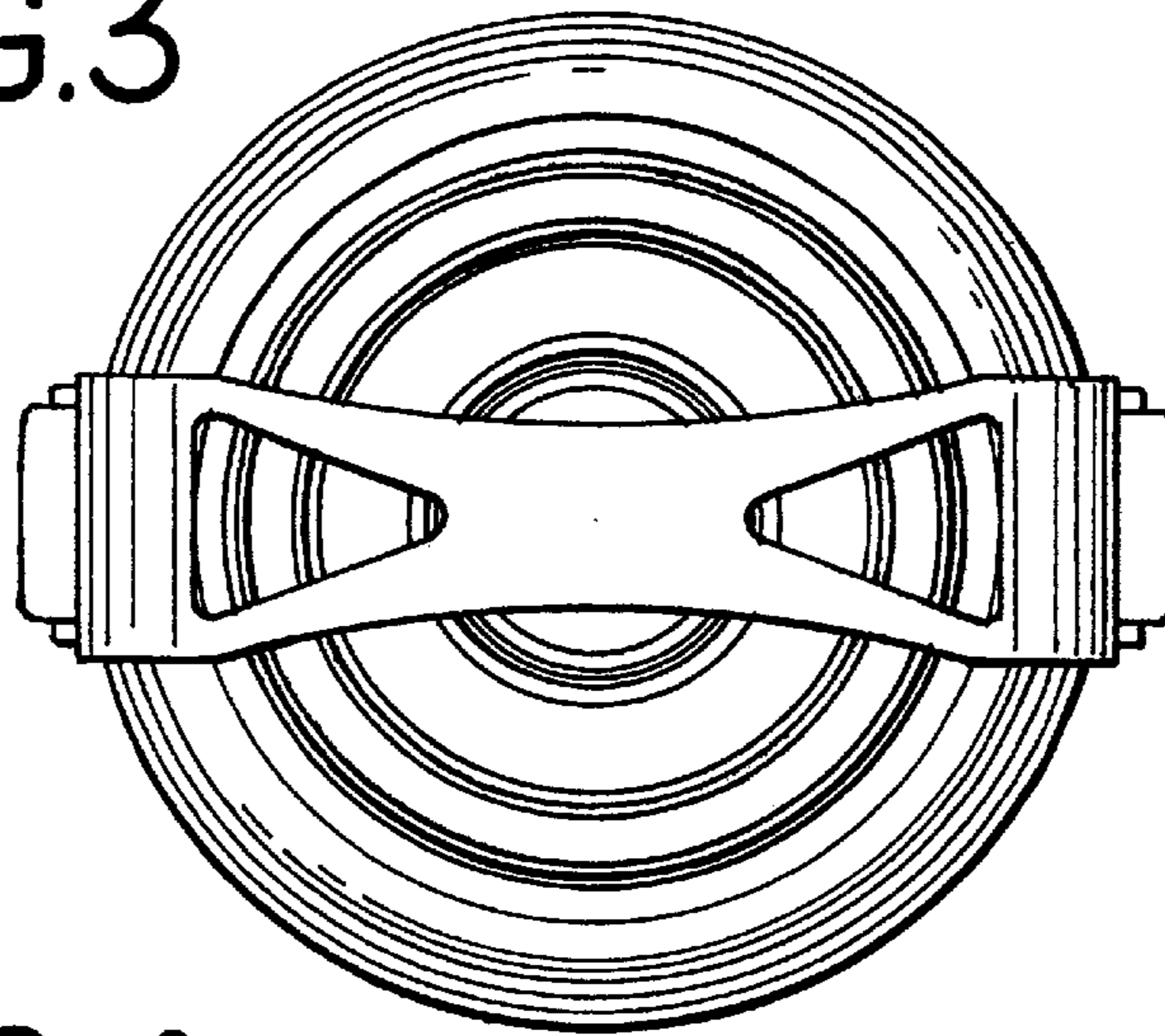


FIG.4

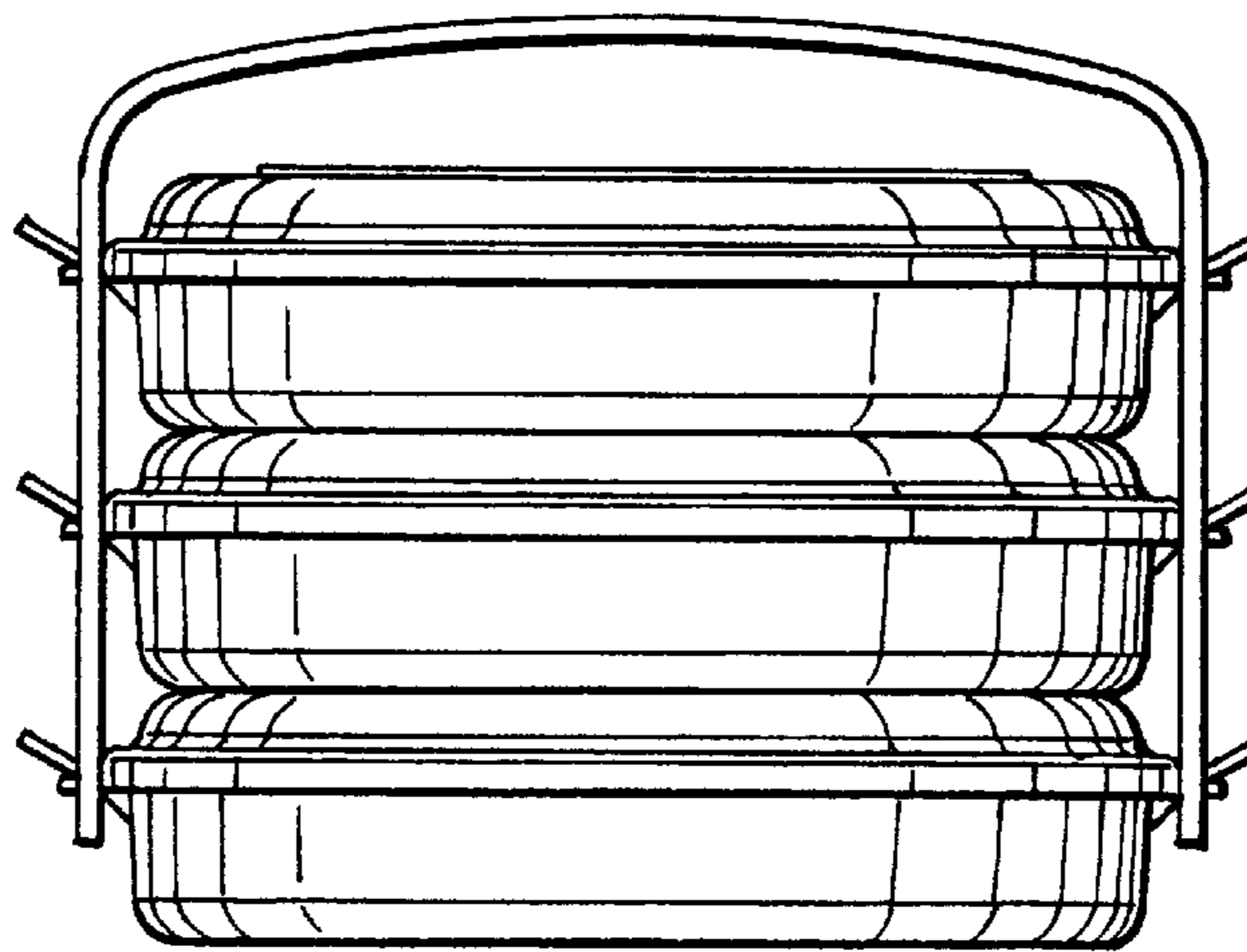


FIG.5

