



US00D529343S

(12) **United States Design Patent**
Minor et al.

(10) **Patent No.:** **US D529,343 S**

(45) **Date of Patent:** **** Oct. 3, 2006**

(54) **SPORTS COOLER**

(76) Inventors: **Craig Minor**, 56 Portsmouth Drive,
Scarborough, Ontario (CA), M1C 5C9;
Bob H. Halkidis, 5109 Birnamwood
Ter., Greensboro, NC (US) 27407

(**) Term: **14 Years**

(21) Appl. No.: **29/254,774**

(22) Filed: **Feb. 28, 2006**

Related U.S. Application Data

(62) Division of application No. 29/192,340, filed on Oct. 22,
2003, now Pat. No. Des. 505,594.

(51) **LOC (8) Cl.** **07-01**

(52) **U.S. Cl.** **D7/606; D3/271.9**

(58) **Field of Classification Search** D7/604-606,
D7/628; D3/270, 271.1, 271.9, 238; 62/457.1-457.8,
62/371, 372; 220/915.1, 915.2; 206/457,
206/217; D21/712; 383/110, 119
See application file for complete search history.

(56) **References Cited**

U.S. PATENT DOCUMENTS

3,624,939 A * 12/1971 Gossard 446/147

4,339,062 A * 7/1982 Witt, Jr. 224/148.4
D375,833 S * 11/1996 Dixon et al. D3/217
D390,778 S * 2/1998 Lee D3/271.9
D394,348 S * 5/1998 Aliff D3/238
D420,861 S * 2/2000 Hansen D7/606

* cited by examiner

Primary Examiner—Terry A. Wallace

(74) *Attorney, Agent, or Firm*—MacCord Mason PLLC

(57) **CLAIM**

The ornamental design for a sports cooler, as shown and
described.

DESCRIPTION

FIG. 1 is a left perspective view of the embodiment of my
new design;

FIG. 2 is a right perspective view of my new design;

FIG. 3 is a top plan view of my new design; and,

FIG. 4 is a bottom view of my new design.

1 Claim, 4 Drawing Sheets

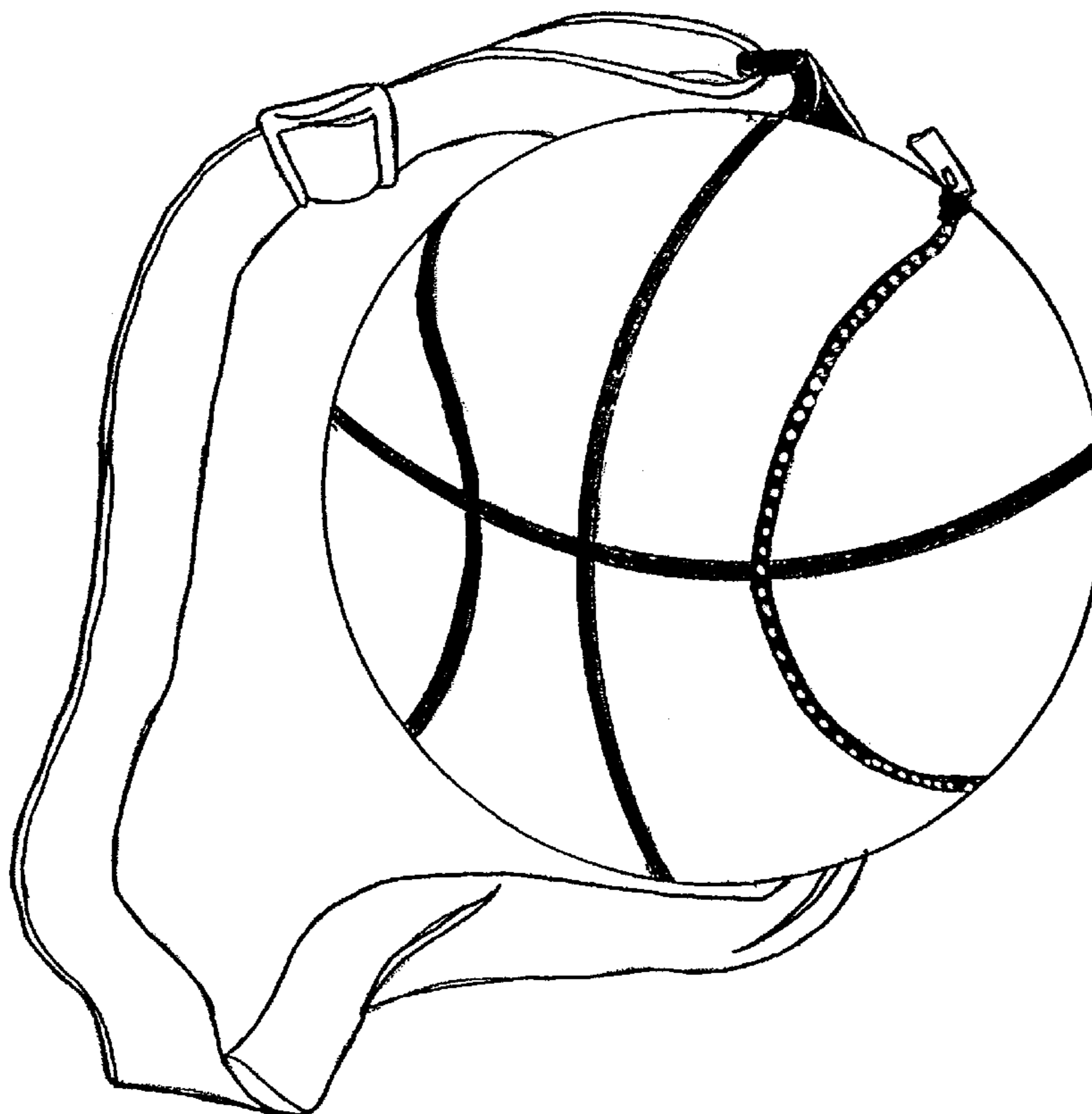




FIGURE 1

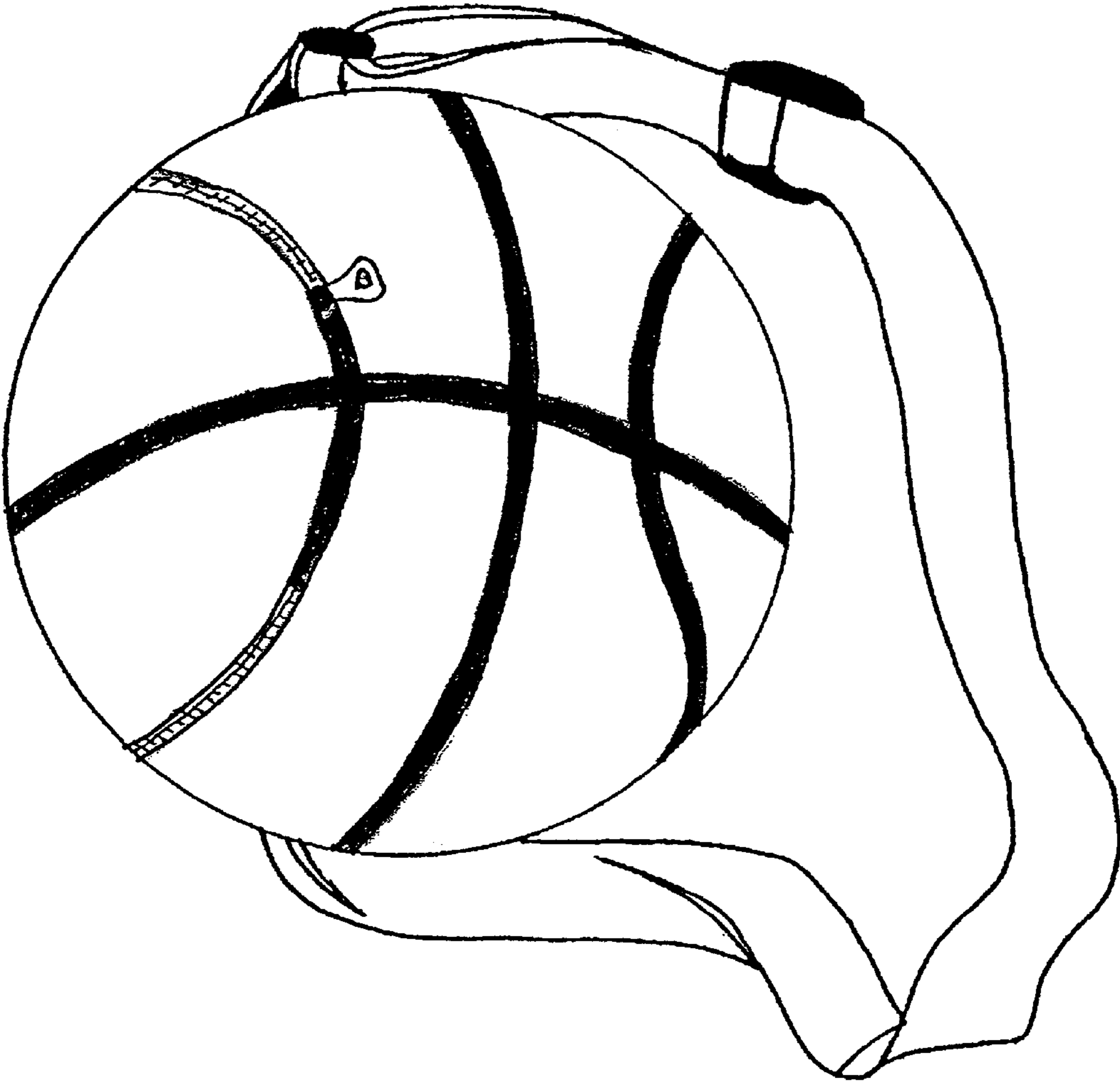


FIGURE 2

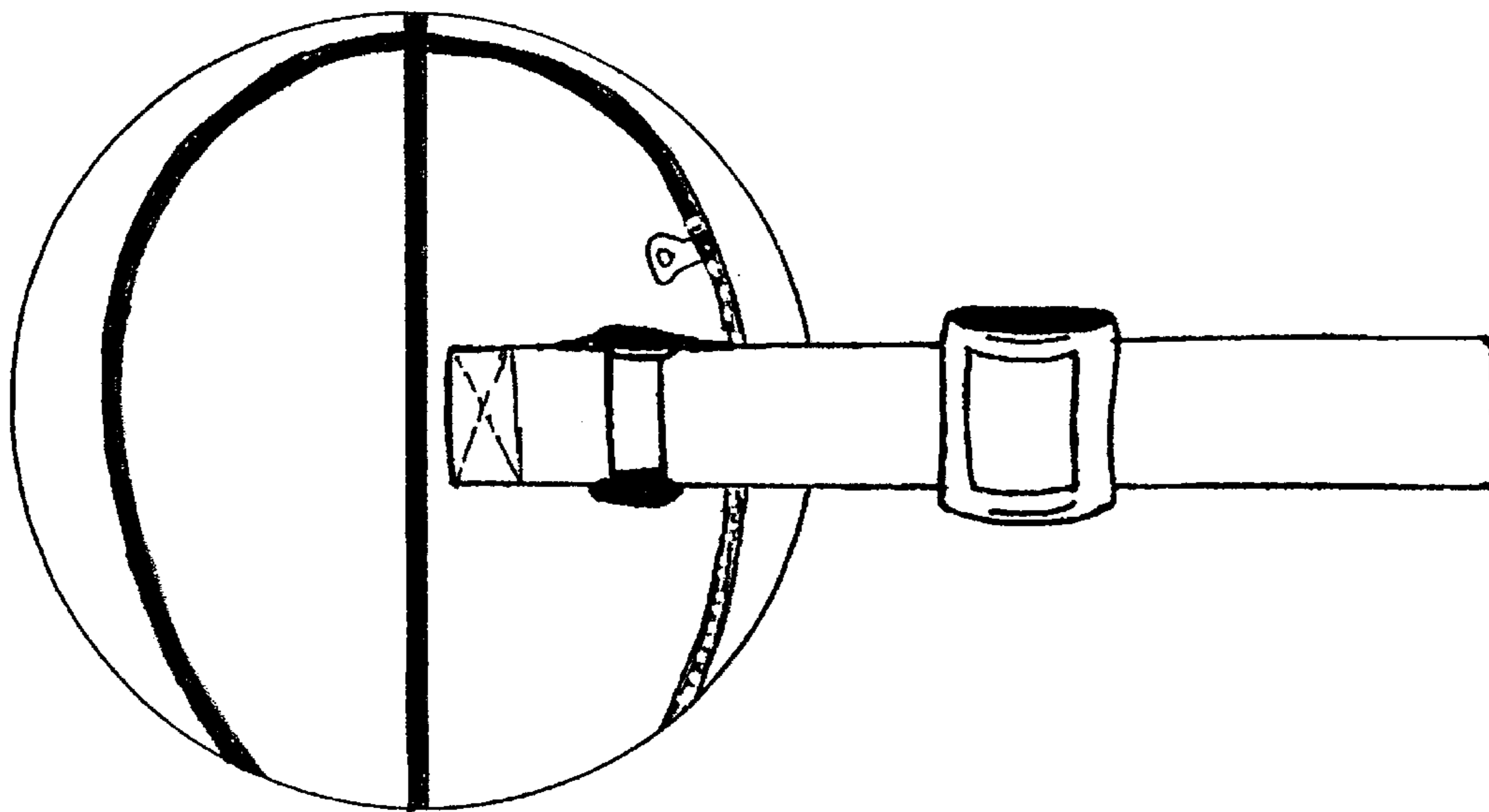


FIGURE 3

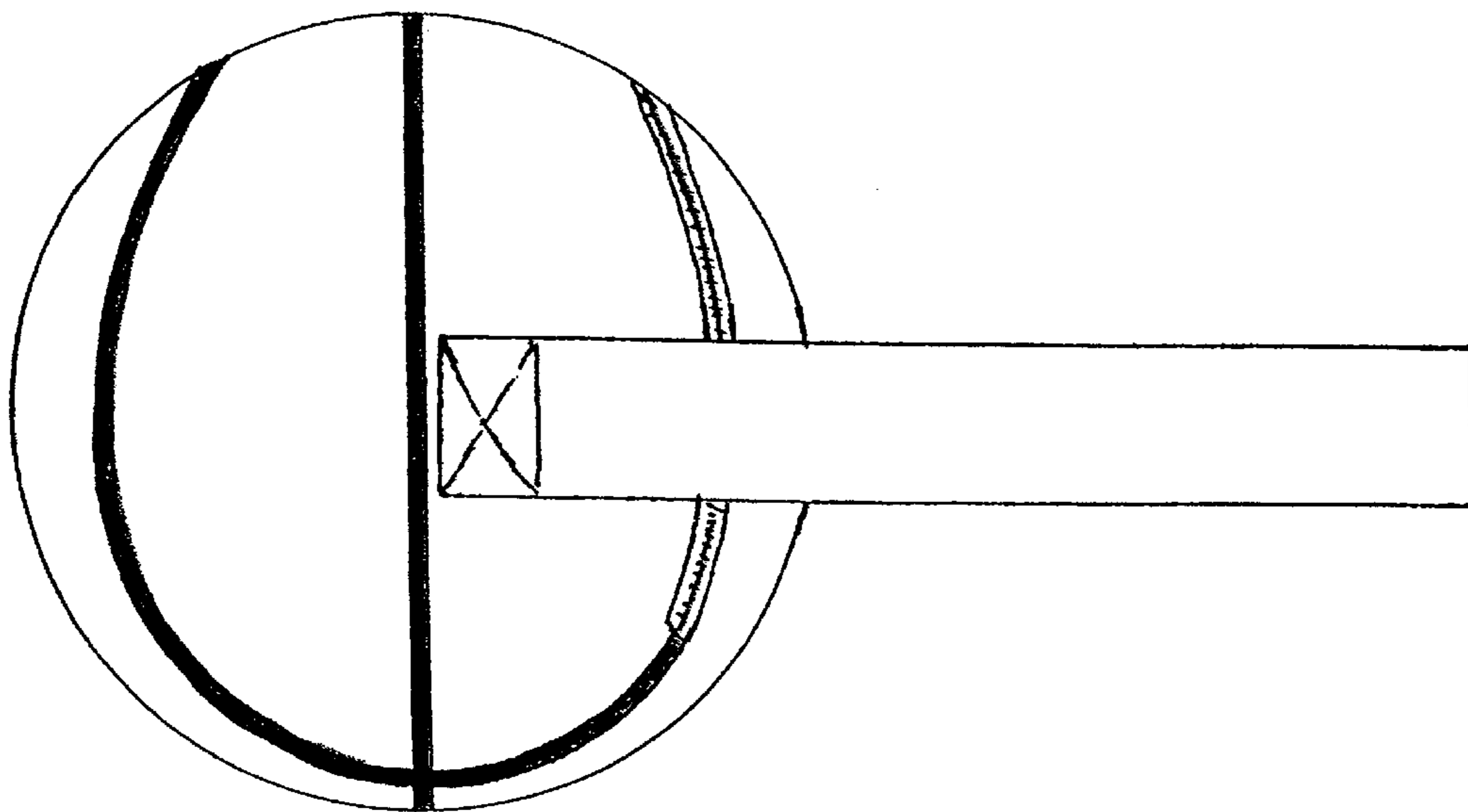


FIGURE 4