

US00D529342S

(12) **United States Design Patent**
Carreno et al.

(10) **Patent No.:** **US D529,342 S**
(45) **Date of Patent:** **** Oct. 3, 2006**

(54) **BOTTLE**

(75) Inventors: **Alfredo Carreno**, Aurora, IL (US);
David Meyers, Kaysville, UT (US)

(73) Assignee: **Thermos L.L.C.**, Rolling Meadows, IL (US)

(**) Term: **14 Years**

(21) Appl. No.: **29/235,232**

(22) Filed: **Jul. 28, 2005**

(51) **LOC (8) Cl.** **07-01**

(52) **U.S. Cl.** **D7/533; D7/608; D7/509**

(58) **Field of Classification Search** D7/629,
D7/710, 605-608, 312-322, 509-511, 533;
62/457.1-457.7, 371, 372; 220/592.16, 592.17,
220/592.22, 592.23, 592.27, 711, 714, 715,
220/703; 215/12.1, 12.2, 13.1, 6, 392-398;
206/216, 217, 223, 541

See application file for complete search history.

(56) **References Cited**

U.S. PATENT DOCUMENTS

3,765,559 A * 10/1973 Sauey et al. 220/592.16
D231,068 S * 4/1974 Douglas D7/533
6,216,909 B1 * 4/2001 Lin 220/739

D455,611 S * 4/2002 Kitamura et al. D7/608
6,530,496 B1 * 3/2003 Moran 220/592.17
D479,785 S * 9/2003 Schuler D7/629
D483,615 S * 12/2003 Norris et al. D7/533

* cited by examiner

Primary Examiner—Terry A. Wallace

(74) *Attorney, Agent, or Firm*—Wood, Phillips, Katz, Clark & Mortimer

(57) **CLAIM**

The ornamental design of a bottle, as shown and described.

DESCRIPTION

FIG. 1 is a perspective view from above and to the left of our bottle design;

FIG. 2 is a perspective view from below and to the left of our bottle design;

FIG. 3 is a left side elevation of our bottle design, with the right side elevation being a mirror image of FIG. 3;

FIG. 4 is a front view of our bottle design;

FIG. 5 is a back view of our bottle design;

FIG. 6 is a top plan view of our bottle design; and,

FIG. 7 is a bottom view of our bottle design.

The broken lines are for illustrative purposes only and form no part of the claimed design.

1 Claim, 4 Drawing Sheets

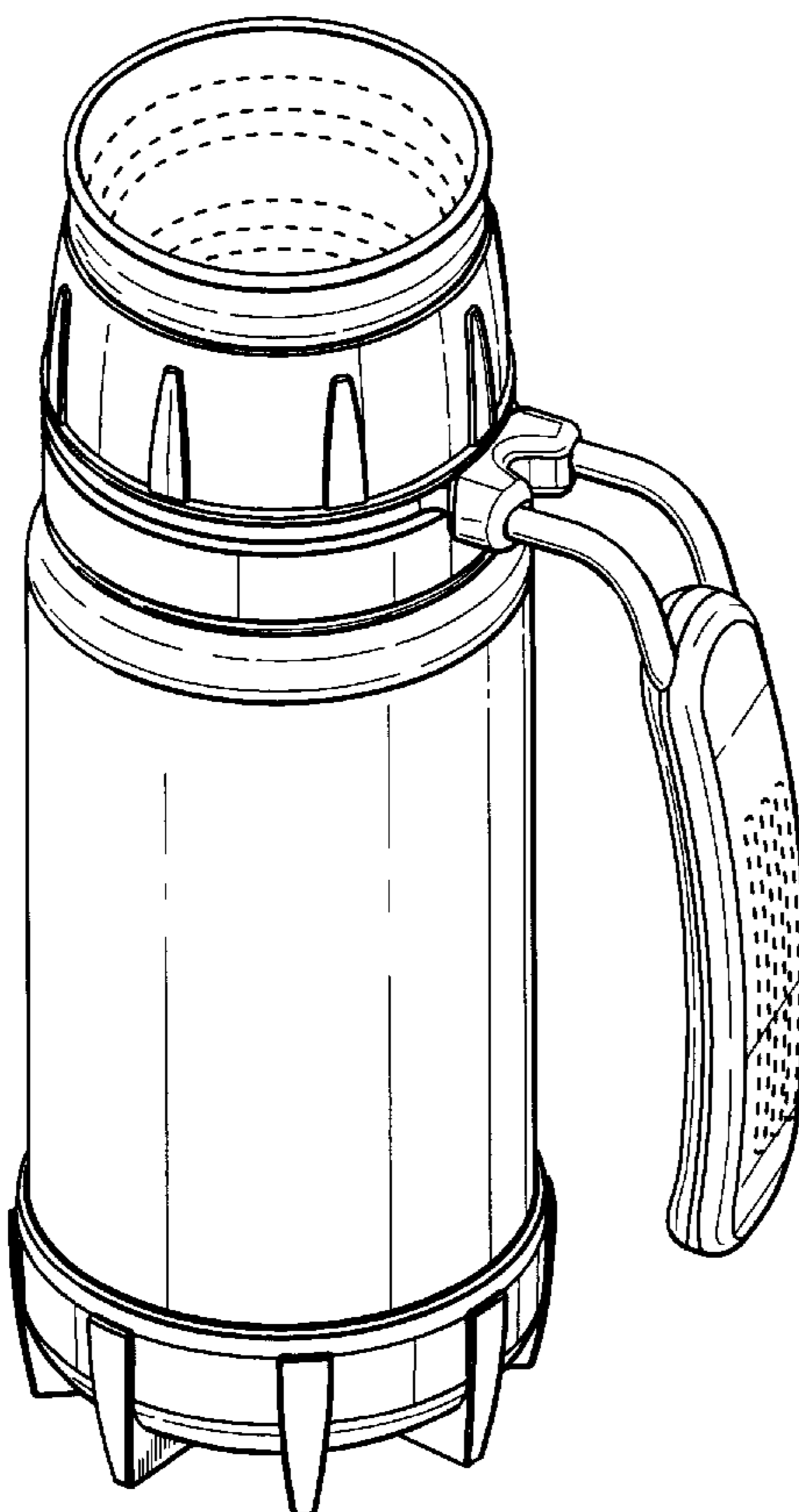


Fig. 1

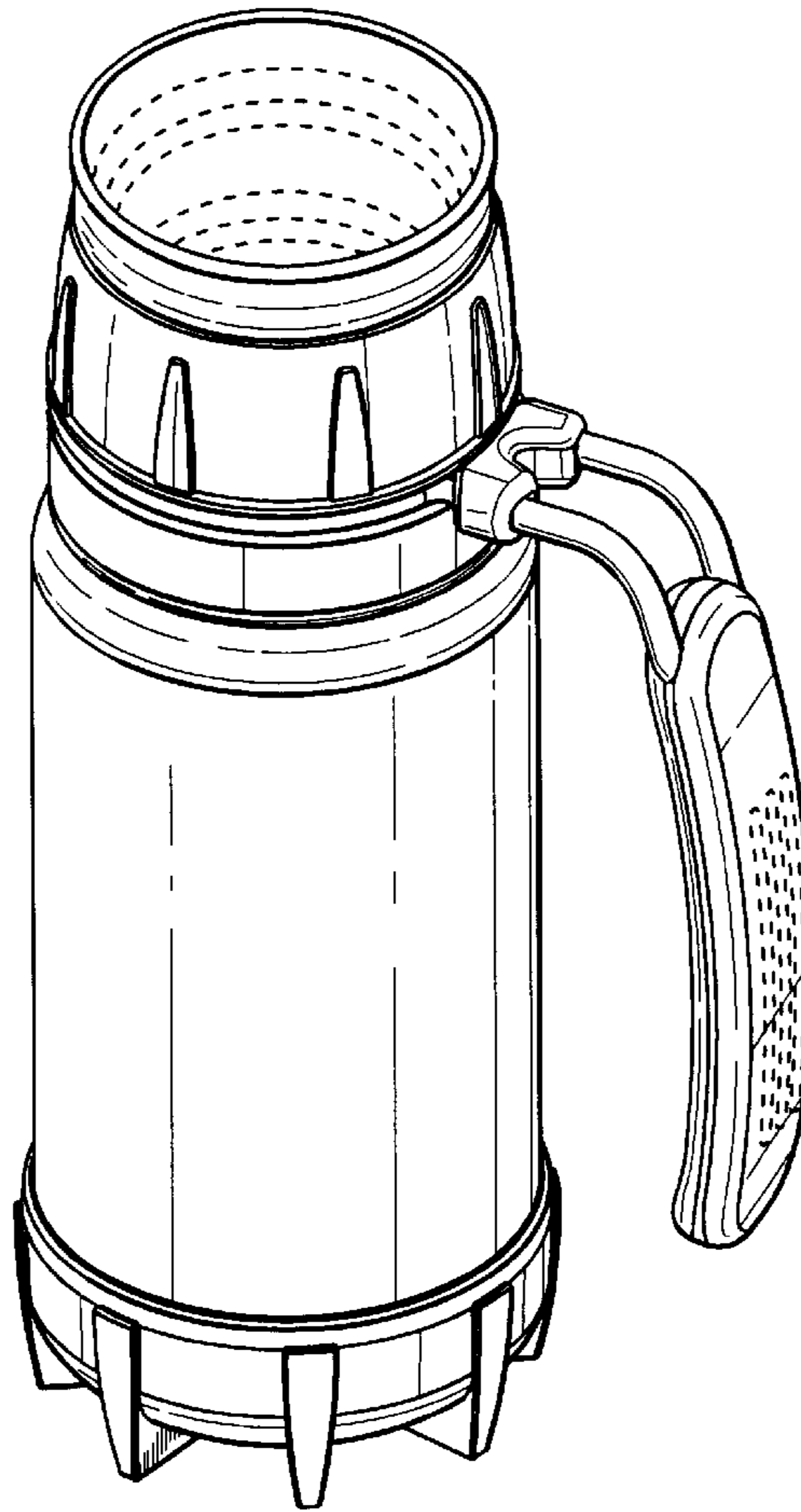


Fig. 2

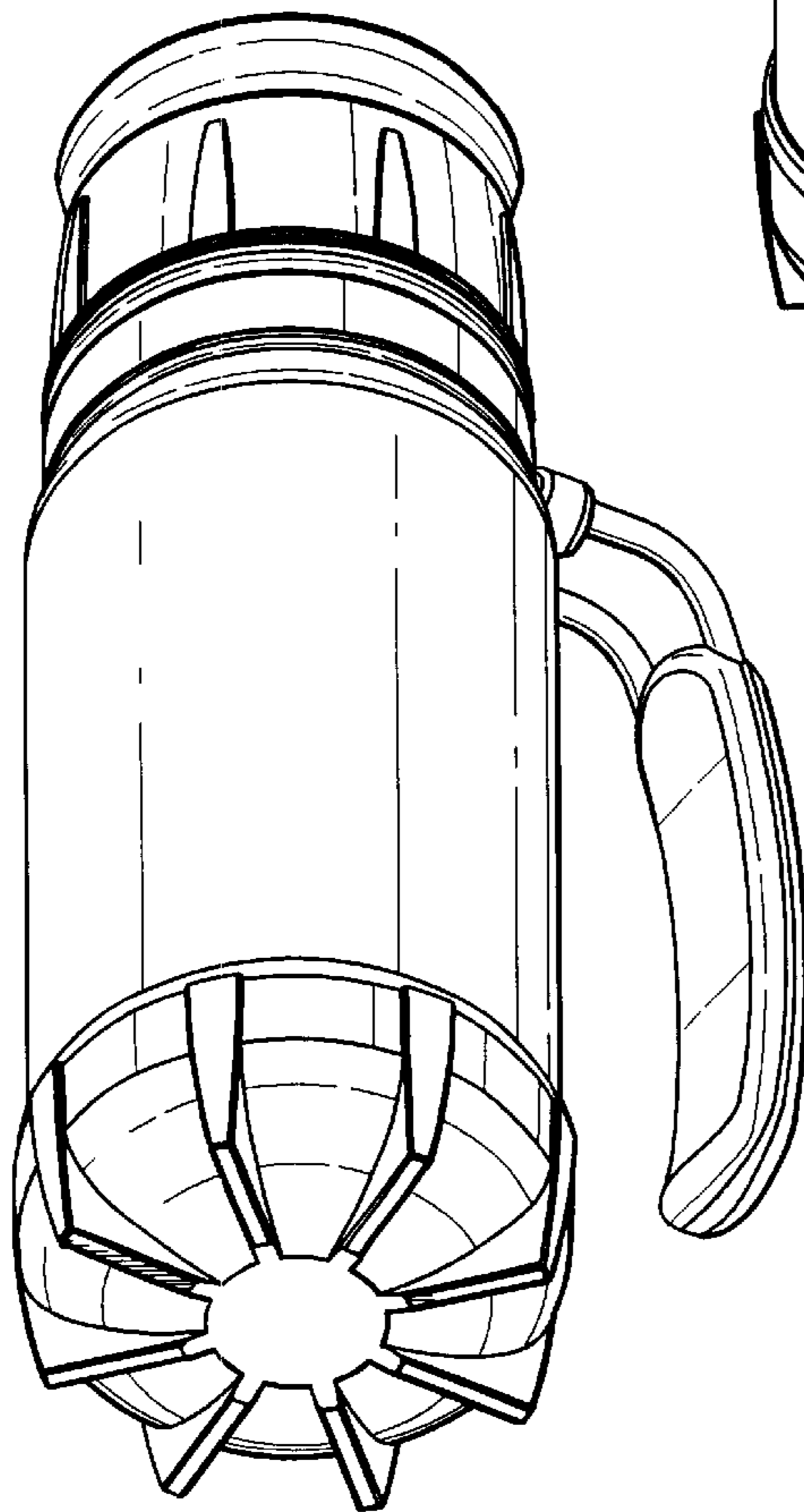


Fig. 3

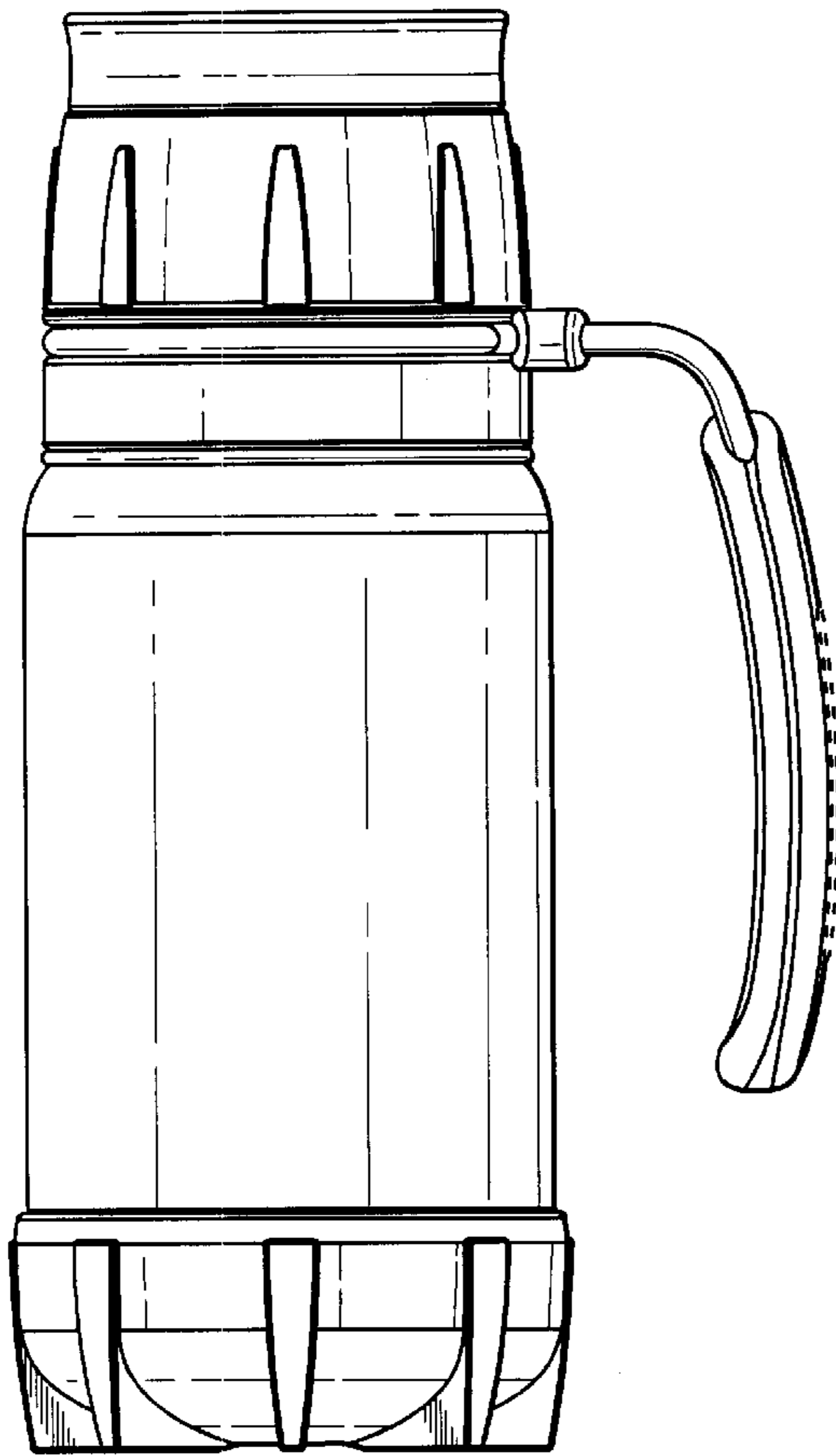


Fig. 4

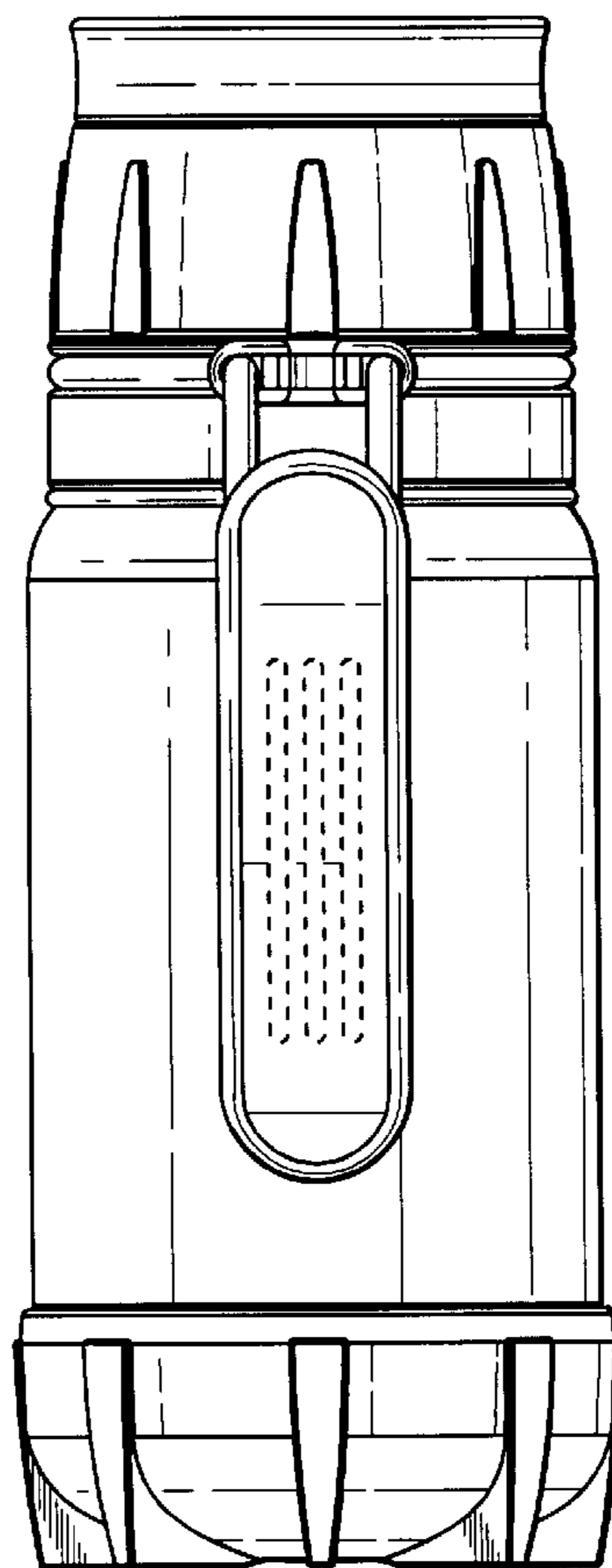


Fig. 5

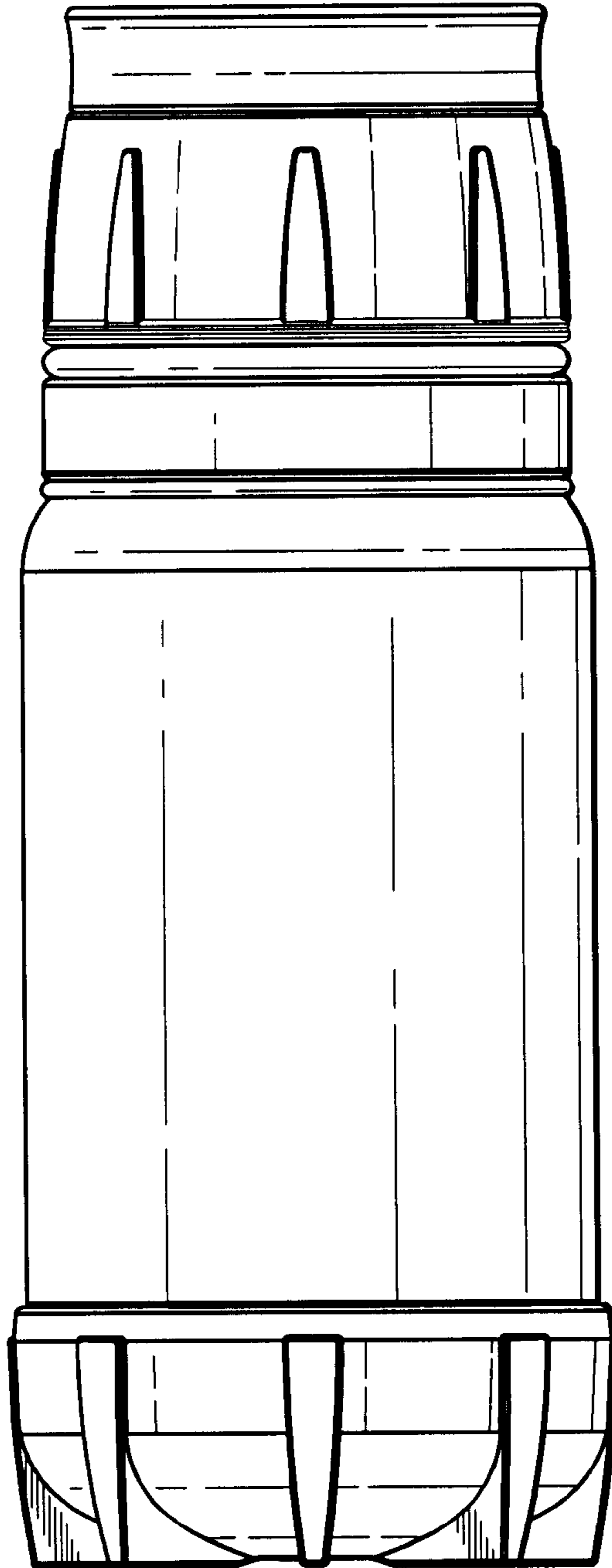


Fig. 6

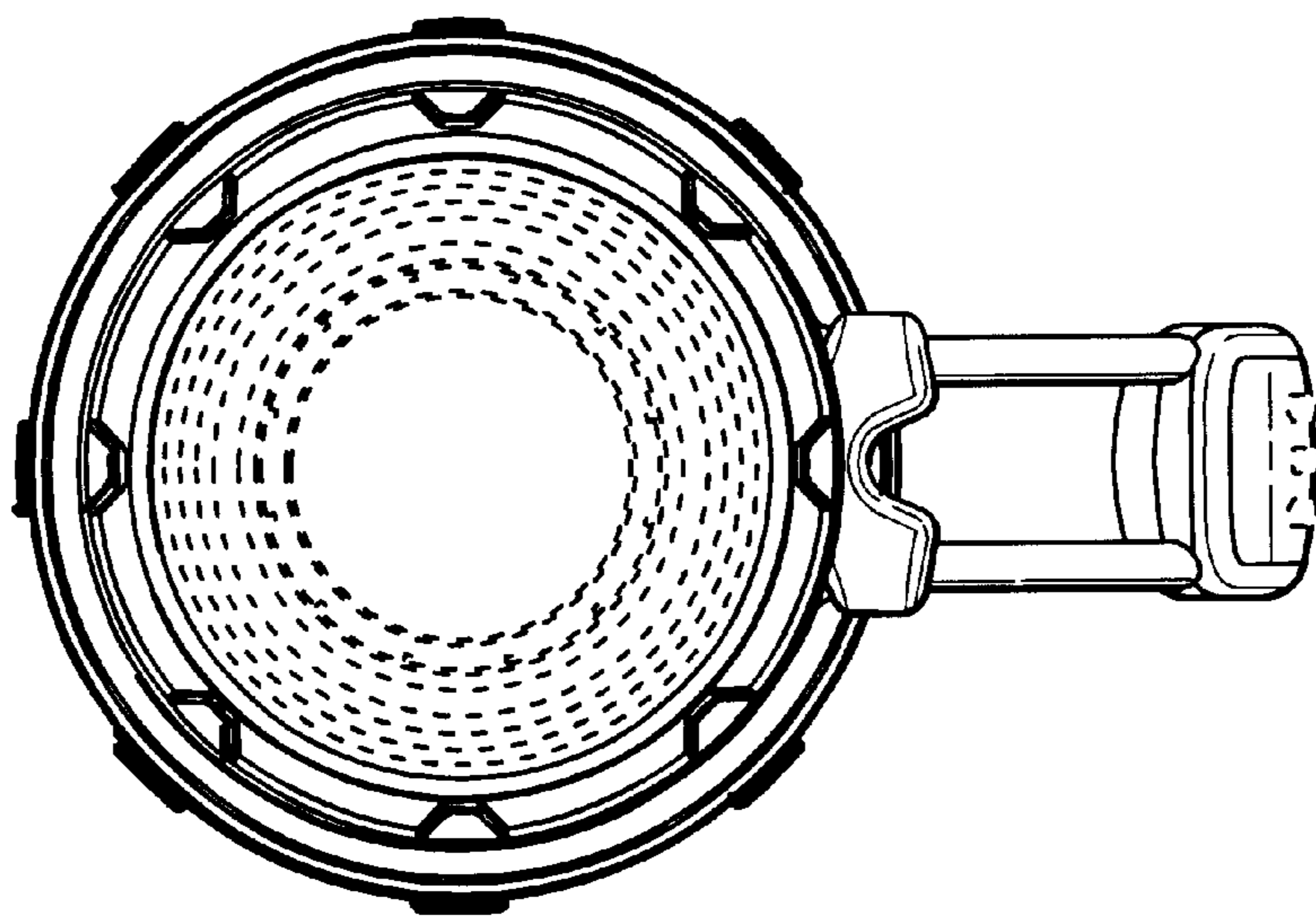


Fig. 7

