



US00D529336S

(12) **United States Design Patent**  
**Katz et al.**

(10) **Patent No.:** **US D529,336 S**

(45) **Date of Patent:** **\*\* Oct. 3, 2006**

(54) **SAFETY SHIELD FOR AN ICE SHAVER BIN**

(75) Inventors: **Jonathan M. Katz**, Solon, OH (US);  
**Richard D. Boozer**, Wakeman, OH  
(US); **Stephen P. Rukavina**, Bedford  
Heights, OH (US); **Jim Lachendro**,  
Fairview Park, OH (US); **Robert M.**  
**Ulanski**, Broadview Heights, OH (US)

(73) Assignee: **Vita-Mix Corporation**, Cleveland, OH  
(US)

(\*\*) Term: **14 Years**

(21) Appl. No.: **29/205,834**

(22) Filed: **May 21, 2004**

(51) **LOC (8) Cl.** ..... **07-02**

(52) **U.S. Cl.** ..... **D7/414**

(58) **Field of Classification Search** ..... D7/362,  
D7/367, 372-374, 376, 381, 383, 384, 414,  
D7/592, 665, 666, 678, 679; 99/286, 304,  
99/306, 499, 501-508, 586; 210/464, 472,  
210/473; 241/82.1, 83, 95, 101.1, 101.2,  
241/100, 169.1, 273.1, 273.2, 273.3, 273.4,  
241/274, 277, 278.1, 278.2, 279, 280  
See application file for complete search history.

(56) **References Cited**

**U.S. PATENT DOCUMENTS**

1,962,856	A	*	6/1934	Benson	.....	99/501
D114,201	S	*	4/1939	Spira	.....	D7/665
D153,645	S	*	5/1949	Stiles	.....	D7/665
D193,461	S	*	8/1962	Talge	.....	D7/665
D227,971	S	*	7/1973	Weiss	.....	D7/665
D247,800	S	*	5/1978	Talge et al.	.....	D7/374
D255,005	S	*	5/1980	Fuchs	.....	D7/665
4,378,730	A	*	4/1983	Coggiola	.....	99/501
5,007,591	A	*	4/1991	Daniels, Jr.	.....	241/37.5
D364,531	S	*	11/1995	Berner et al.	.....	D7/374
D366,398	S	*	1/1996	Alessi Anghini et al.	....	D7/665

D371,055	S	*	6/1996	Fouquet	.....	D7/665
D374,150	S	*	10/1996	Lillelund et al.	.....	D7/387
D385,148	S	*	10/1997	Ikenaga	.....	D7/374
D428,311	S	*	7/2000	Thackray	.....	D7/665
6,113,016	A	*	9/2000	Vedefors	.....	241/169.1
D462,583	S	*	9/2002	Dingert	.....	D7/665
6,668,709	B1	*	12/2003	Codina Vilana et al.	.....	99/503
D485,474	S	*	1/2004	Wong	.....	D7/665
6,908,053	B1	*	6/2005	Rupp	.....	241/86.1
D506,902	S	*	7/2005	Tseng et al.	.....	D7/665
2005/0258286	A1	*	11/2005	Katz et al.	.....	241/37.5

**OTHER PUBLICATIONS**

Frontgate, Summer 2002 Electric Ice Shaver, p. 39, Item # 8418.\*

\* cited by examiner

*Primary Examiner*—Caron D. Veynar

*Assistant Examiner*—Ricky Pham

(74) *Attorney, Agent, or Firm*—Renner, Kenner, Greive, Bobak, Taylor & Weber

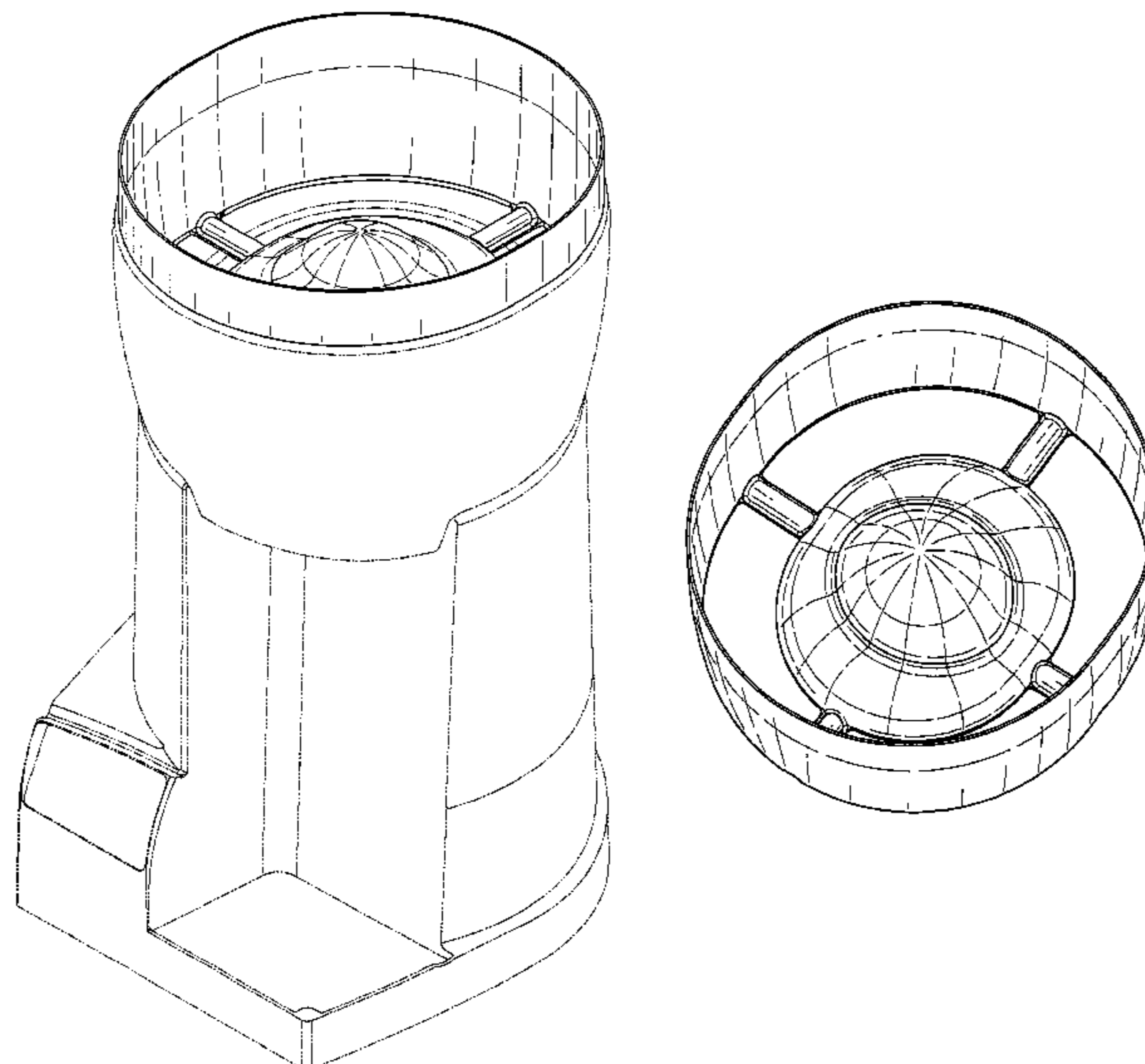
(57) **CLAIM**

The ornamental design for a safety shield for an ice shaver bin, as shown and described.

**DESCRIPTION**

FIG. 1 is a perspective view of a safety shield for an ice shaver bin showing our new design in the environment of an ice shaving and dispensing machine which is shown in phantom lines and which is not part of the claimed design; FIG. 2 is a perspective view of a safety shield for an ice shaver bin showing our new design; FIG. 3 is a front elevational view thereof; FIG. 4 is a rear elevational view thereof; FIG. 5 is a left side elevational view thereof; FIG. 6 is a right side elevational view thereof; FIG. 7 is a top plan view thereof; and, FIG. 8 is a bottom plan view thereof.

**1 Claim, 4 Drawing Sheets**



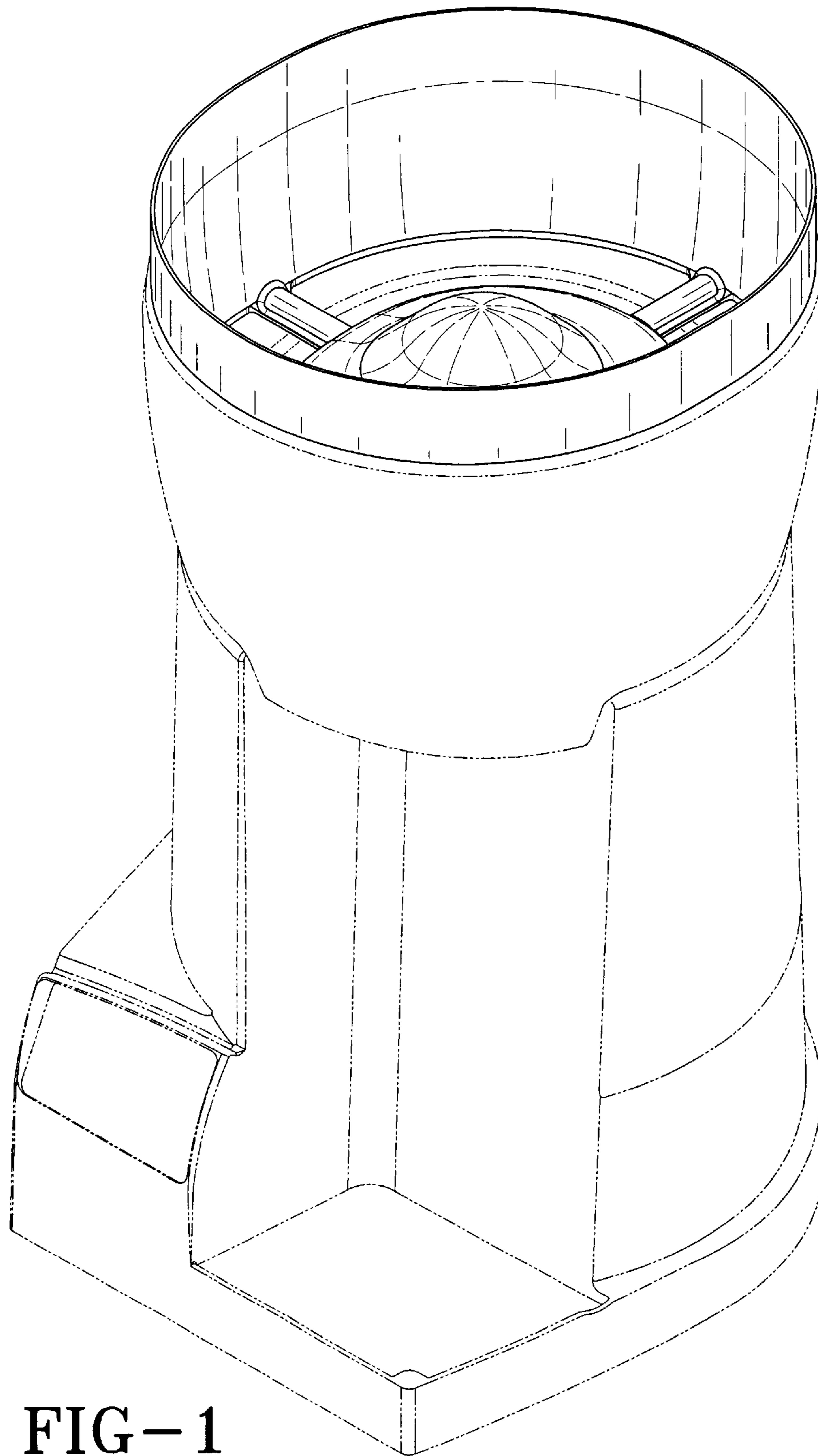


FIG-1

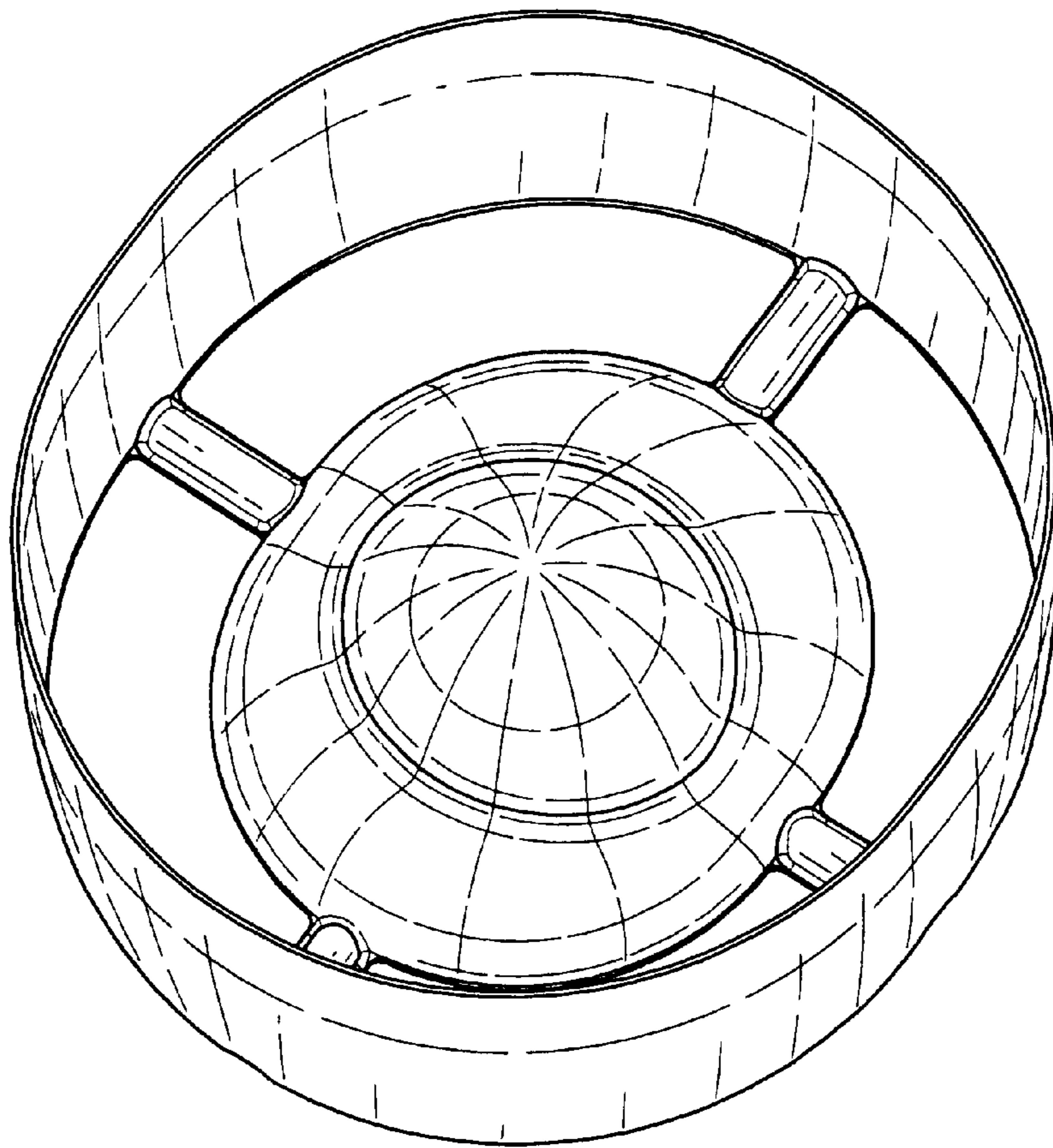


FIG-2

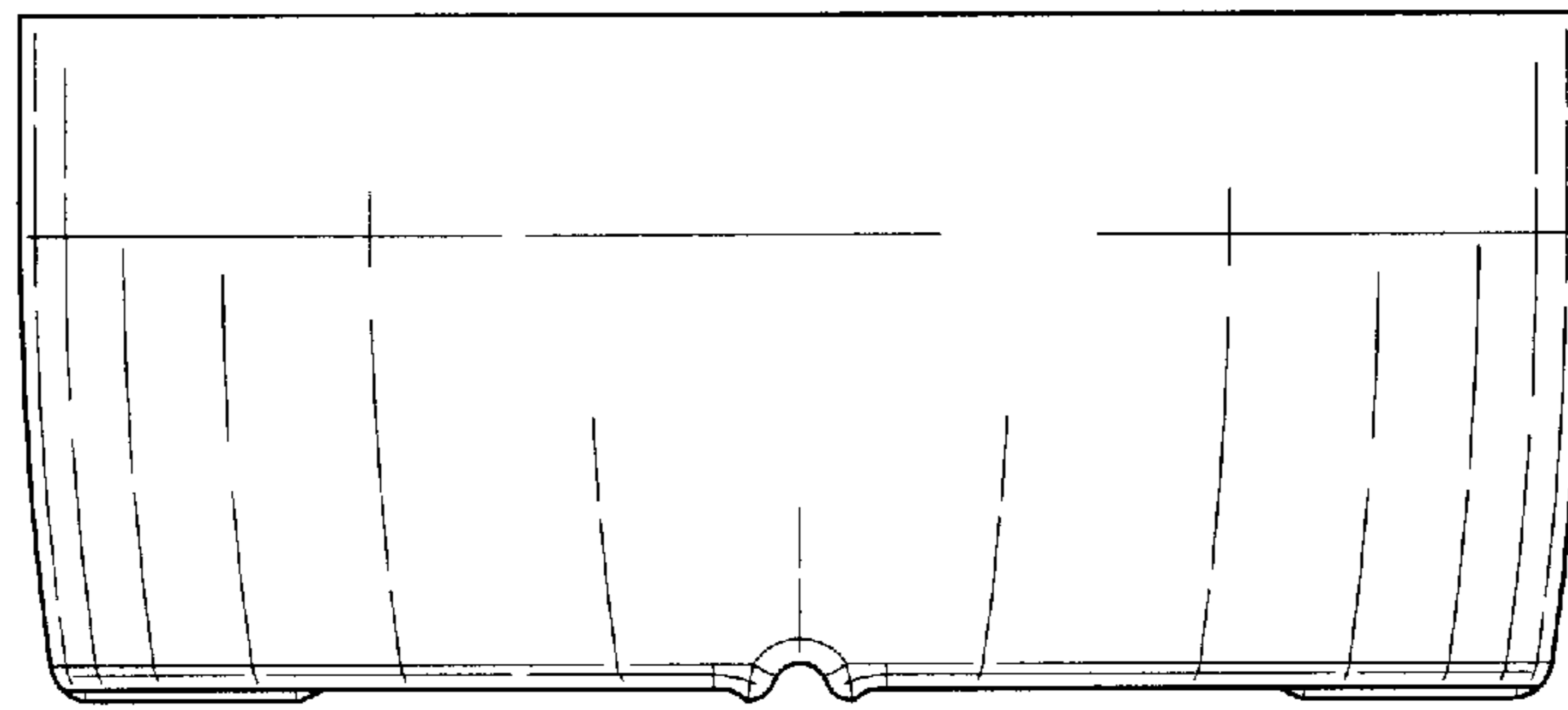


FIG-3

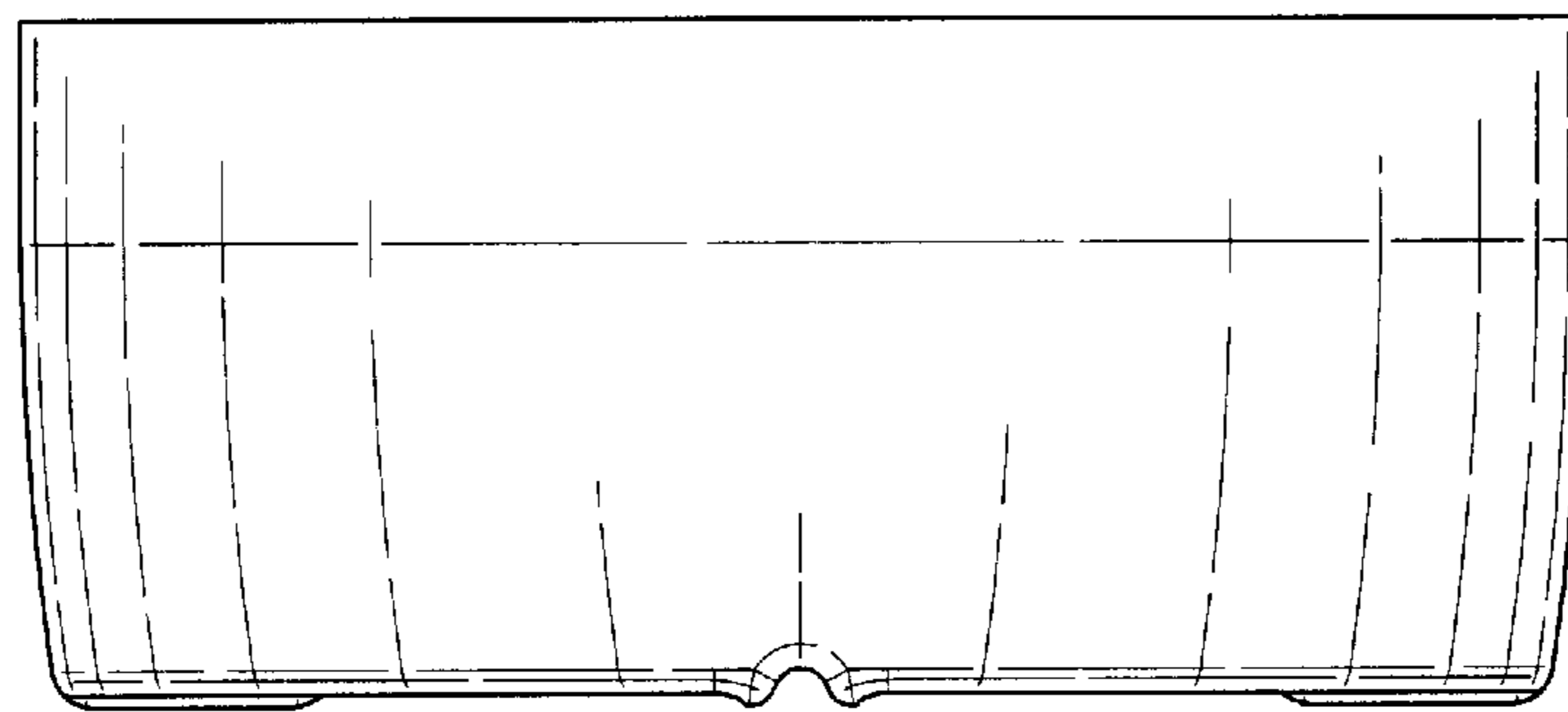


FIG-4

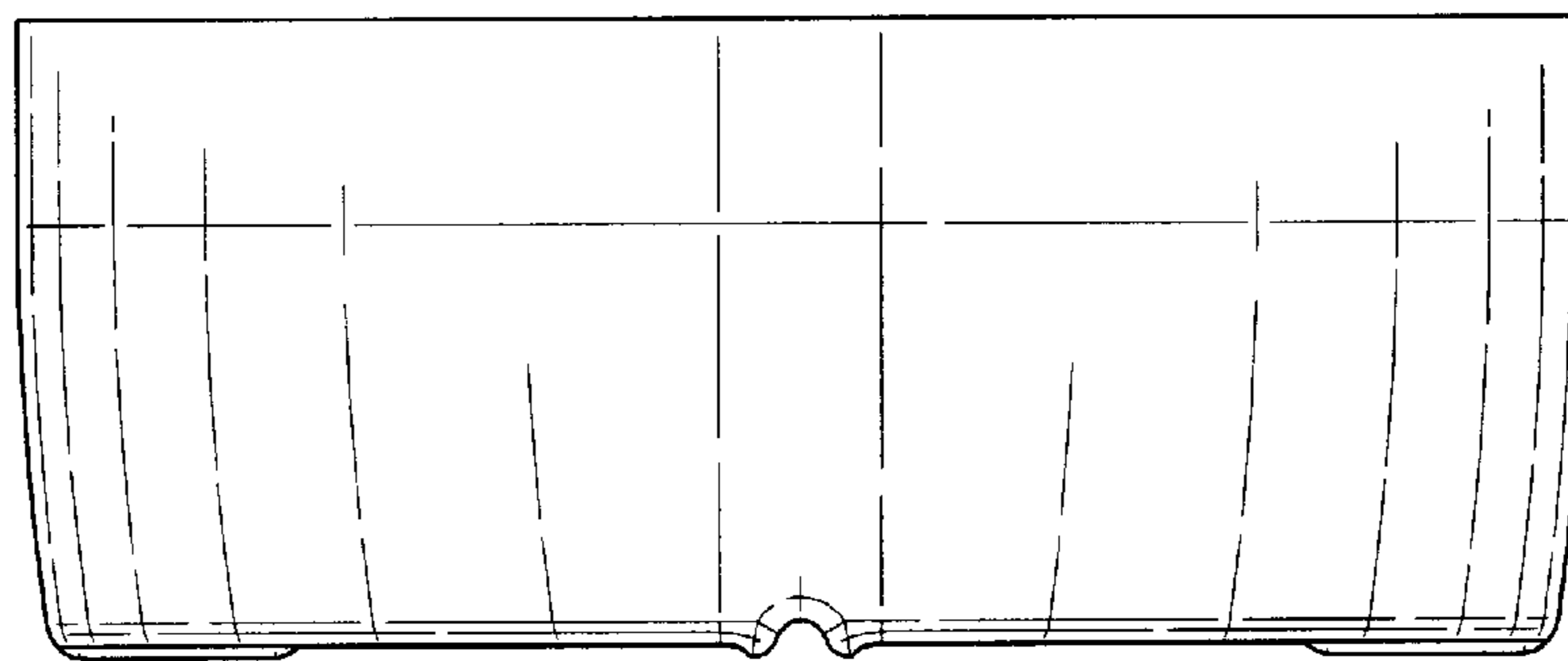


FIG-5

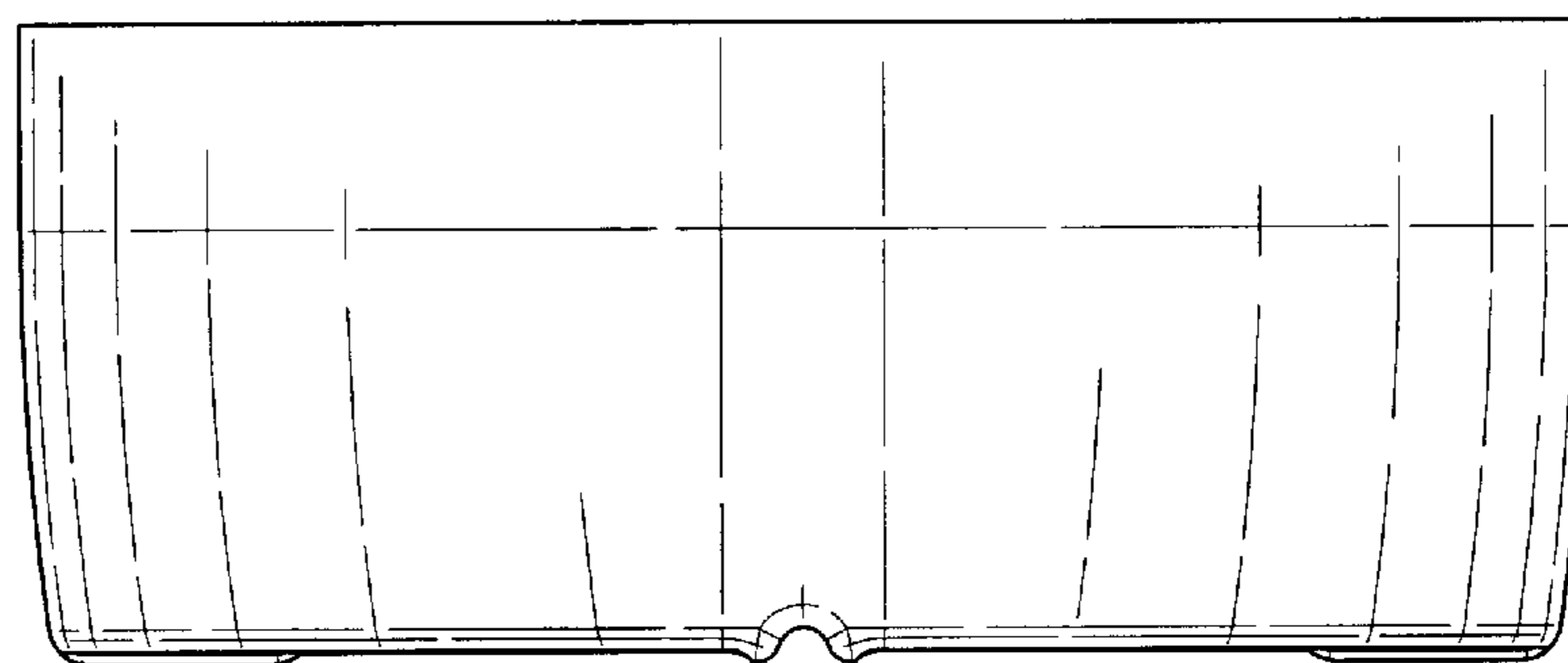


FIG-6



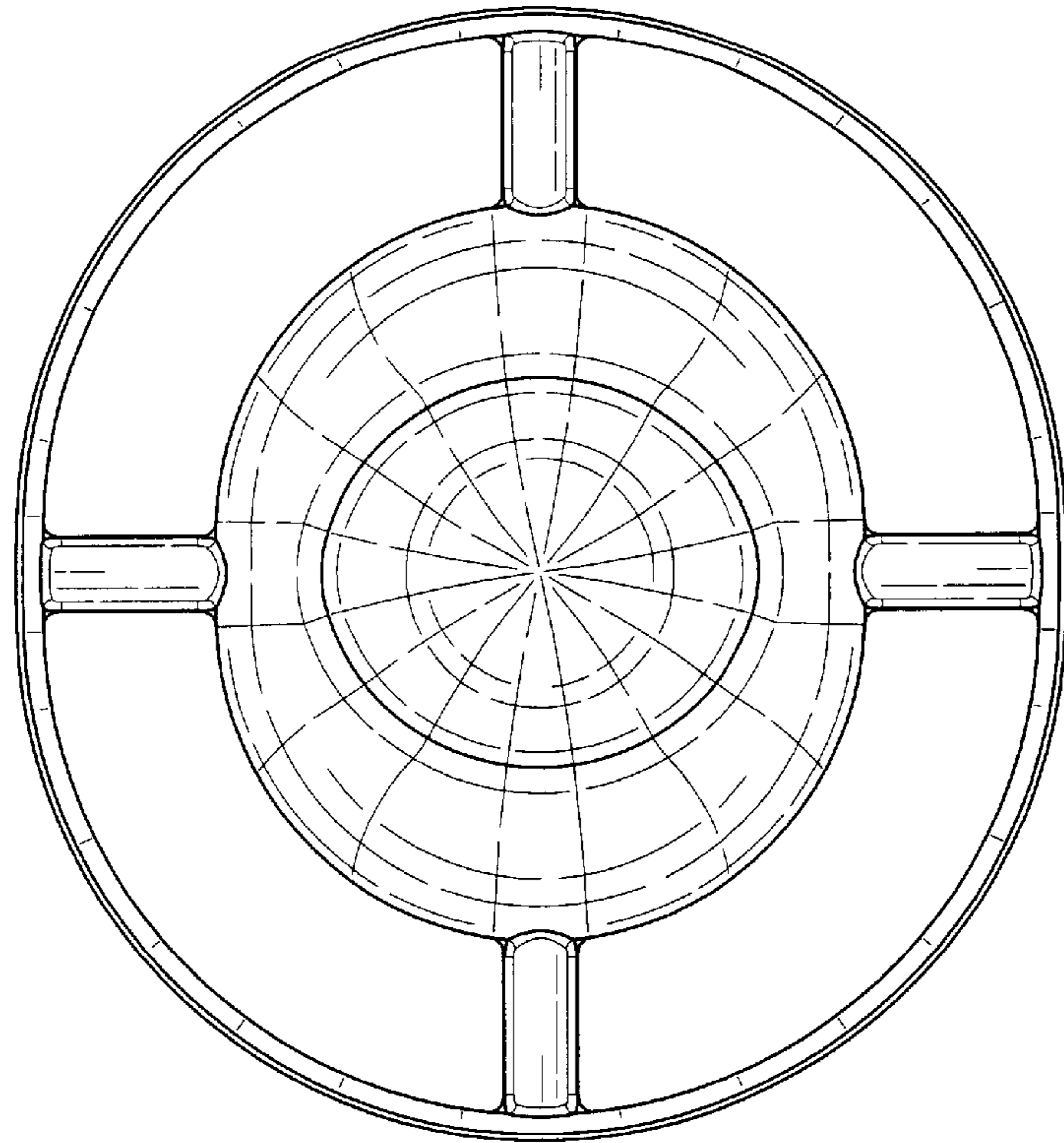


FIG-7

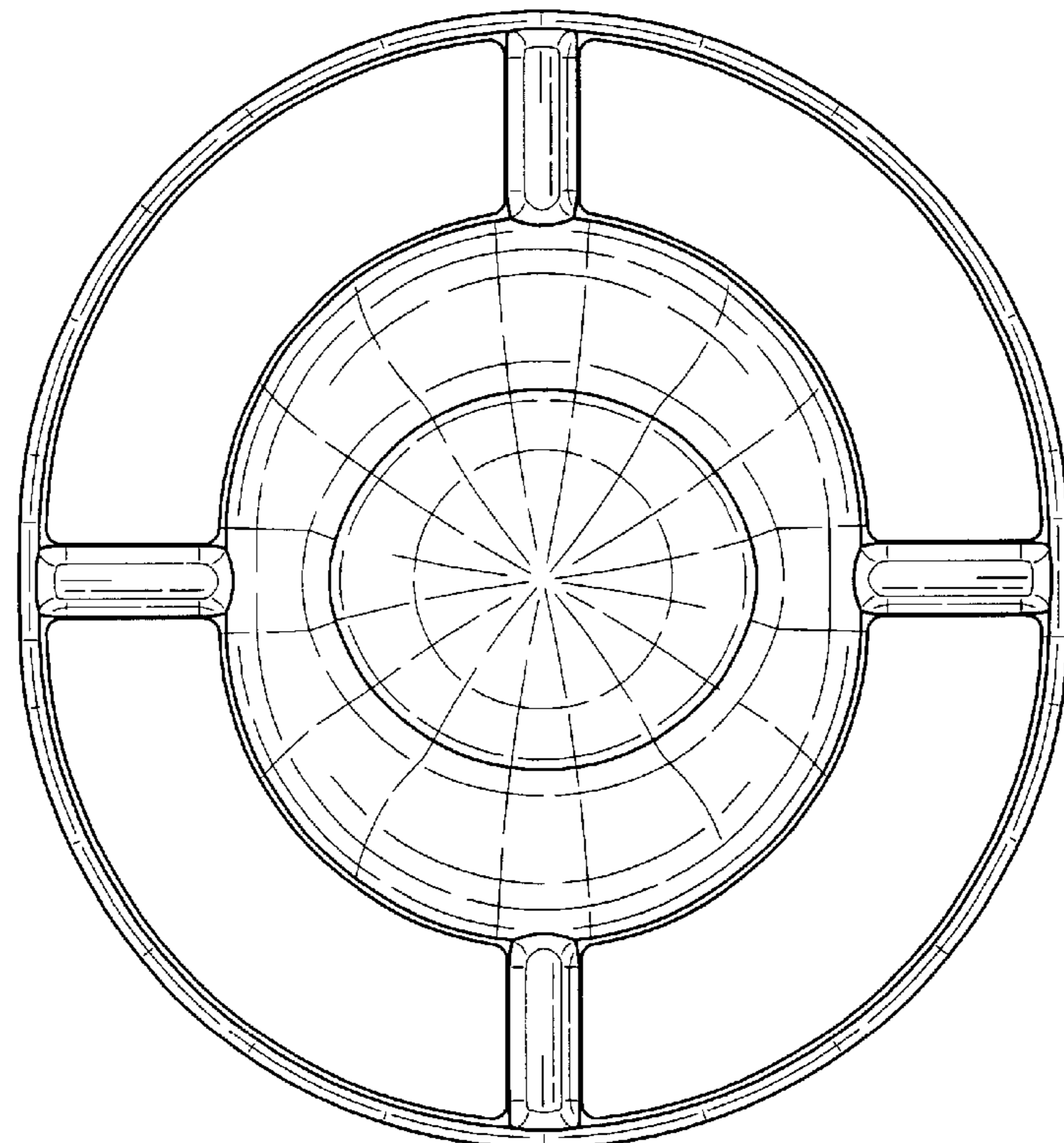


FIG-8