



US00D529328S

(12) **United States Design Patent**
Schmidt et al.

(10) **Patent No.:** **US D529,328 S**
(45) **Date of Patent:** **** Oct. 3, 2006**

(54) **TEA KETTLE WITH AUTOMATICALLY
OPENING SPOUT LID**

(75) Inventors: **George Schmidt**, Douglaston, NY
(US); **Alfonso Smaldone**, 4099 Ocean
Ave., Brooklyn, NY (US) 11235

(73) Assignee: **Alfonso Smaldone**, Brooklyn, NY (US)

(**) Term: **14 Years**

(21) Appl. No.: **29/222,398**

(22) Filed: **Jan. 28, 2005**

(51) **LOC (8) Cl.** **07-01**

(52) **U.S. Cl.** **D7/322; D7/321**

(58) **Field of Classification Search** D7/312,
D7/313, 321, 322, 302; 220/318; 99/275;
222/500, 469, 471; 116/67 R

See application file for complete search history.

(56) **References Cited**

U.S. PATENT DOCUMENTS

D296,068 S	*	6/1988	Yano	D7/322
D308,315 S	*	6/1990	Ancona et al.	D7/322
D316,797 S	*	5/1991	Ancona et al.	D7/332
D336,006 S	*	6/1993	Lebowitz	D7/322
D360,101 S	*	7/1995	Lee	D7/322
D364,991 S	*	12/1995	Lee	D7/322
5,490,616 A	*	2/1996	Stowell et al.	222/472
D381,859 S	*	8/1997	Joergensen	D7/322
D396,988 S	*	8/1998	Lien	D7/322
D407,943 S	*	4/1999	Chen	D7/322

6,006,959 A	*	12/1999	Naden et al.	222/469
D428,758 S	*	8/2000	Santiago et al.	D7/322
D442,015 S	*	5/2001	Doret, Jr.	D7/322
D448,963 S	*	10/2001	Shim	D7/322
D459,937 S	*	7/2002	Thurlow et al.	D7/322
6,540,120 B1	*	4/2003	Lebowitz	222/471
D478,243 S	*	8/2003	Lebowitz	D7/322
D478,768 S	*	8/2003	Belton	D7/322
D502,356 S	*	3/2005	Smaldone	D7/322
D504,273 S	*	4/2005	Ancona	D7/322
D511,648 S	*	11/2005	Henderson	D7/397

* cited by examiner

Primary Examiner—M. N. Pandozzi

(74) *Attorney, Agent, or Firm*—Steven Horowitz

(57) **CLAIM**

The ornamental design for a tea kettle with automatically opening spout lid, as shown and described.

DESCRIPTION

FIG. 1 is a left side view of the tea kettle of the present invention showing my new design;

FIG. 2 is a front view thereof;

FIG. 3 is a right side view thereof;

FIG. 4 is a rear view thereof;

FIG. 5 is a top view thereof;

FIG. 6 is a bottom view thereof;

FIG. 7 is a perspective view thereof; and,

FIG. 8 is a left side view thereof in a tilted position during pouring.

1 Claim, 5 Drawing Sheets



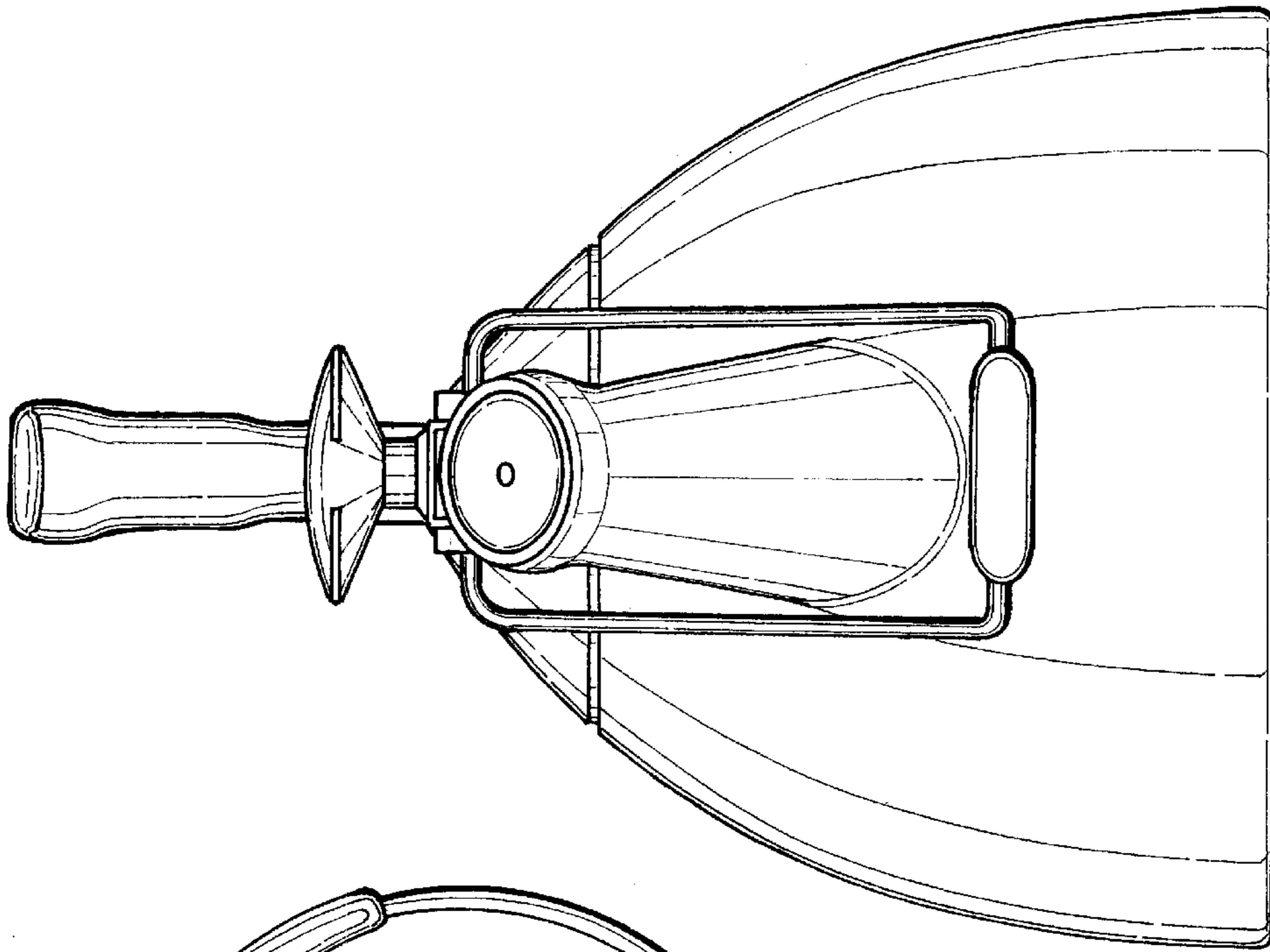


FIG. 2

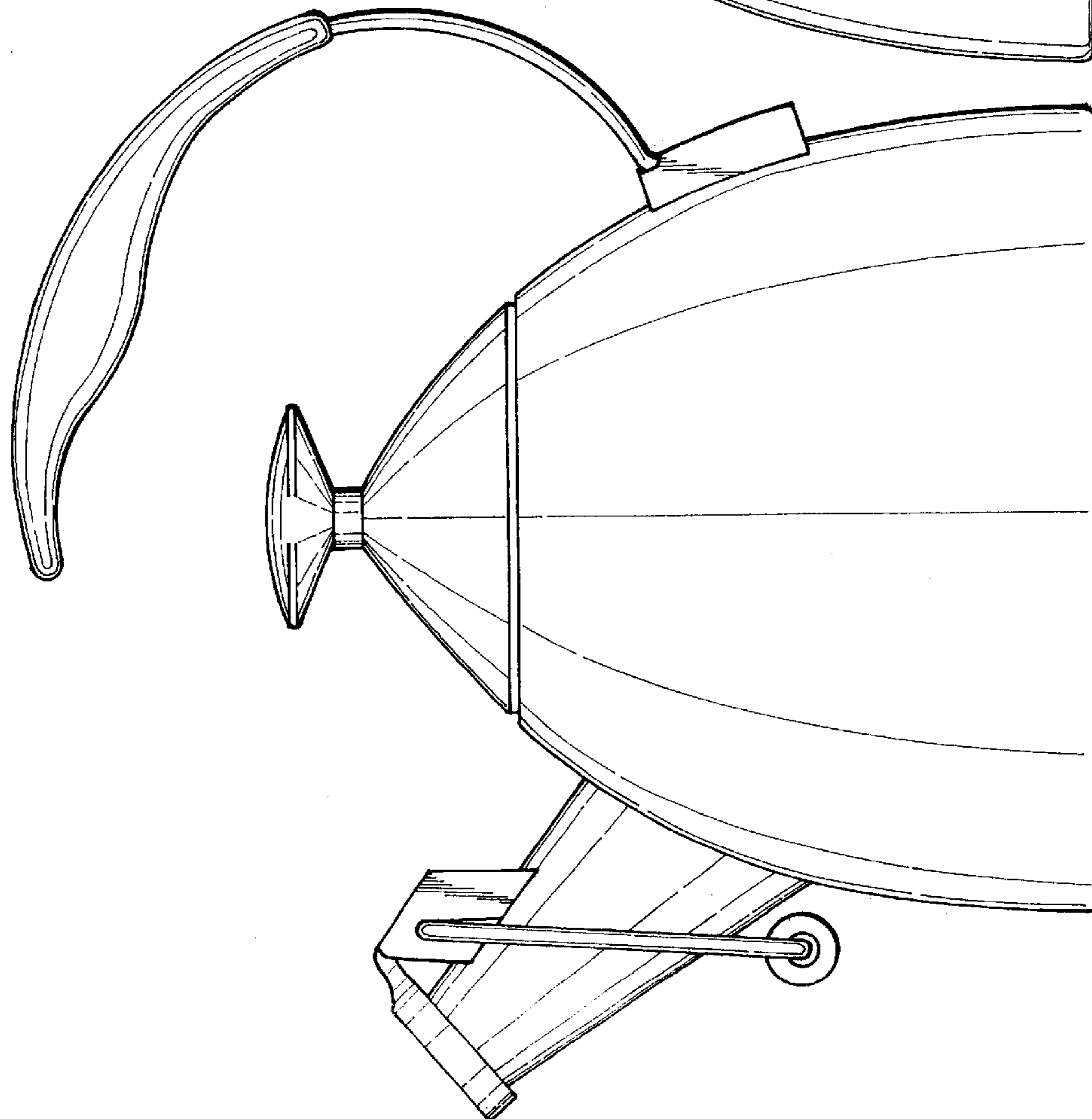


FIG. 1

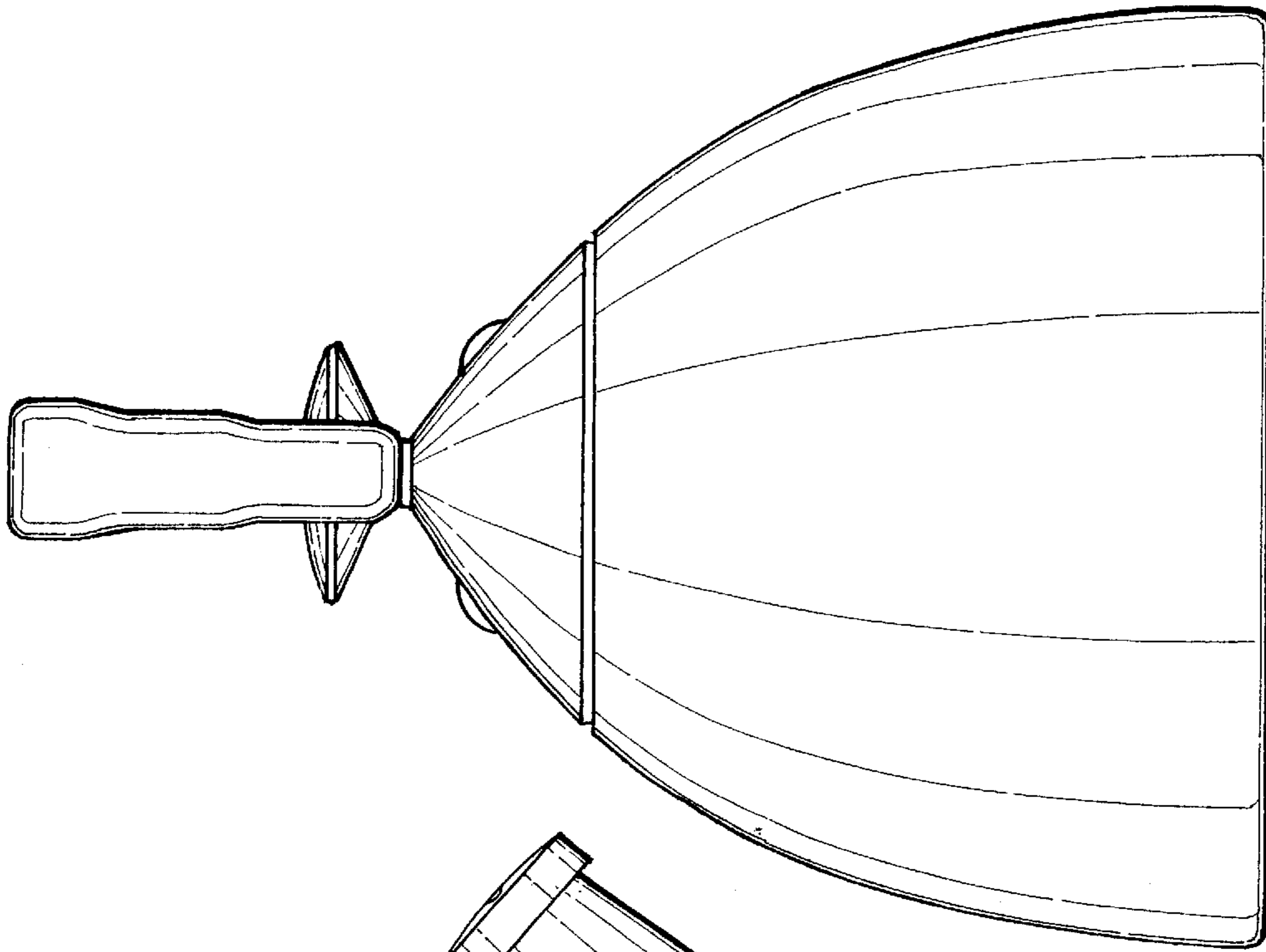


FIG. 4

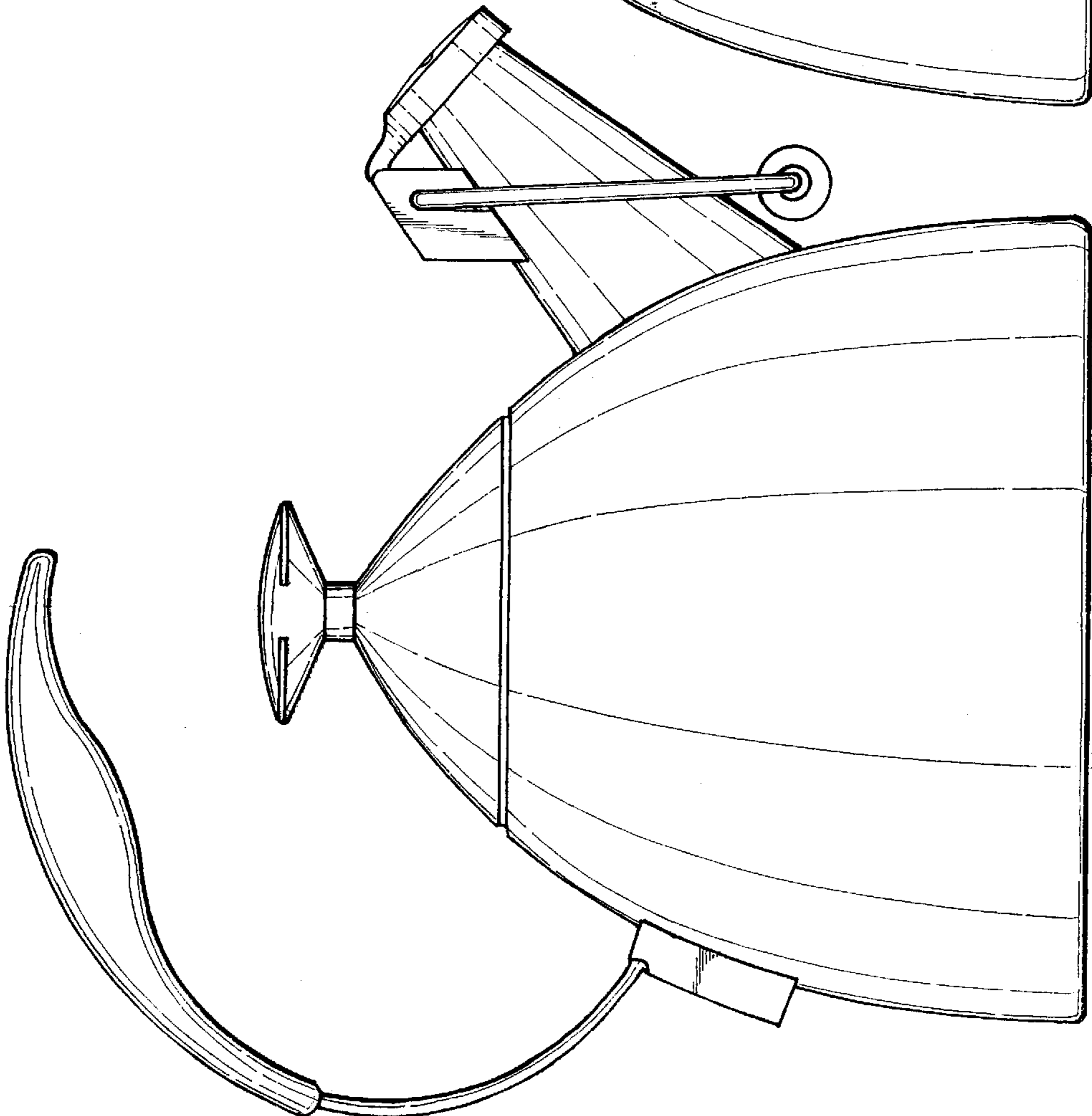


FIG. 3

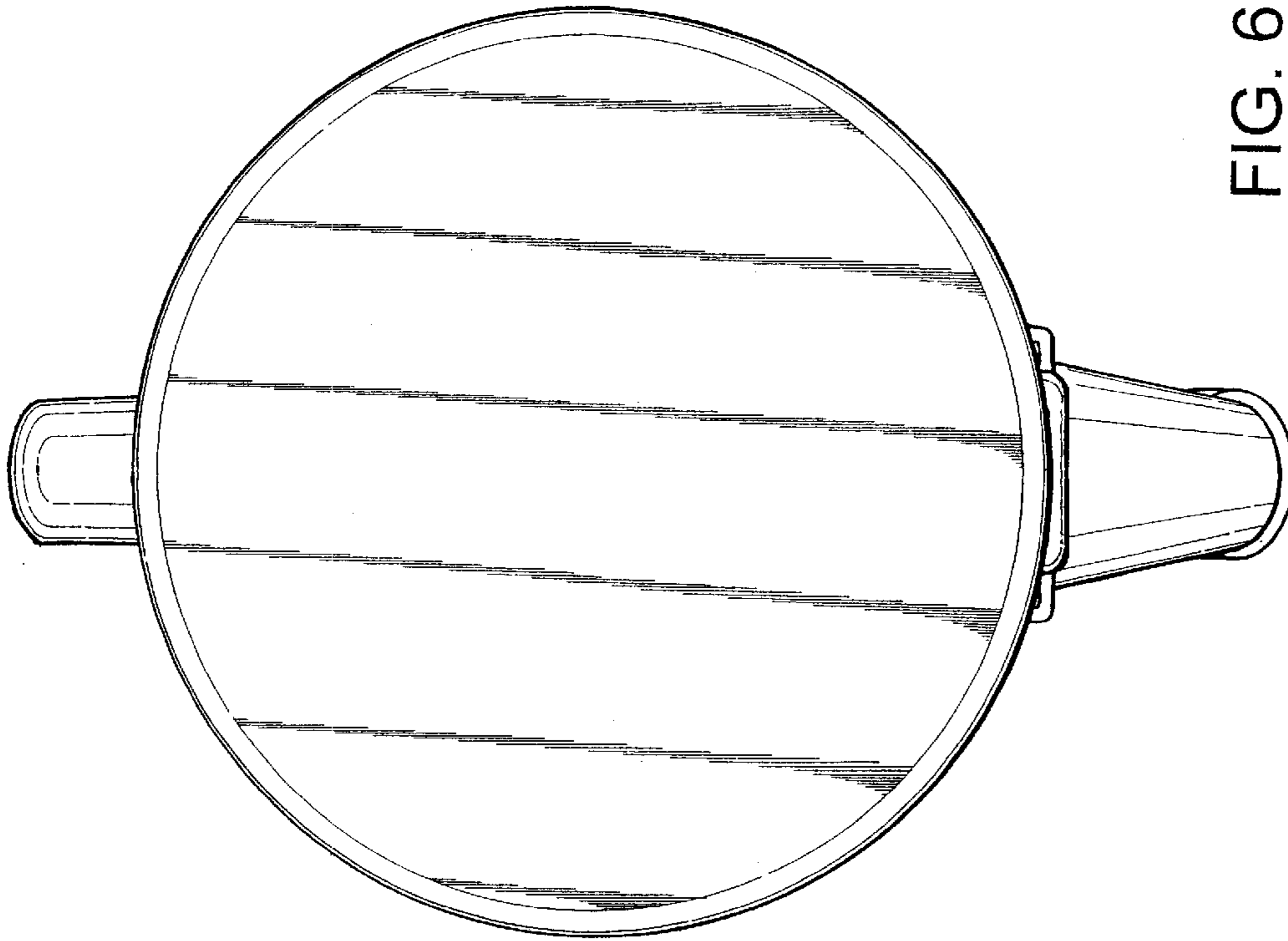


FIG. 6

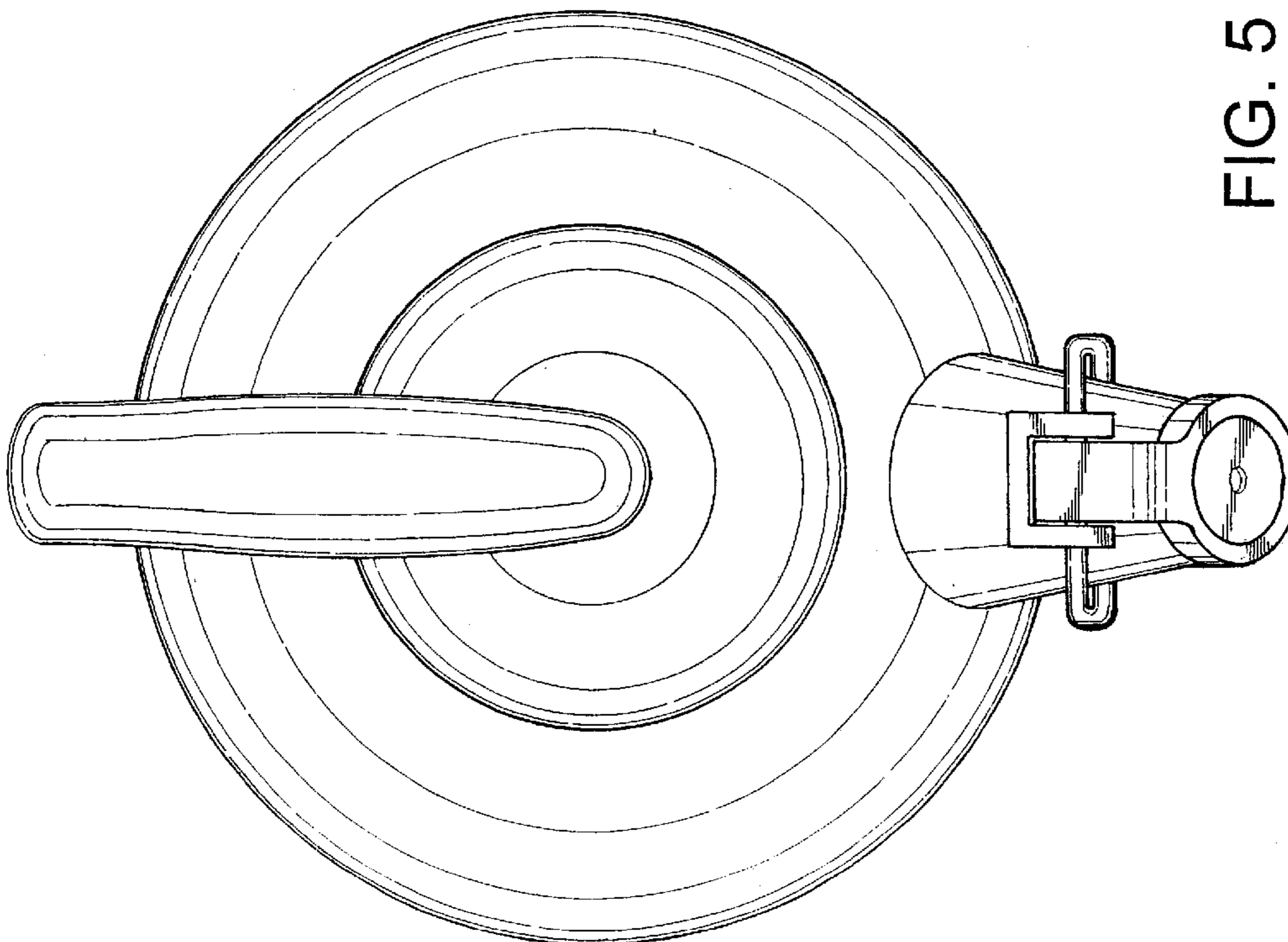


FIG. 5



FIG. 7

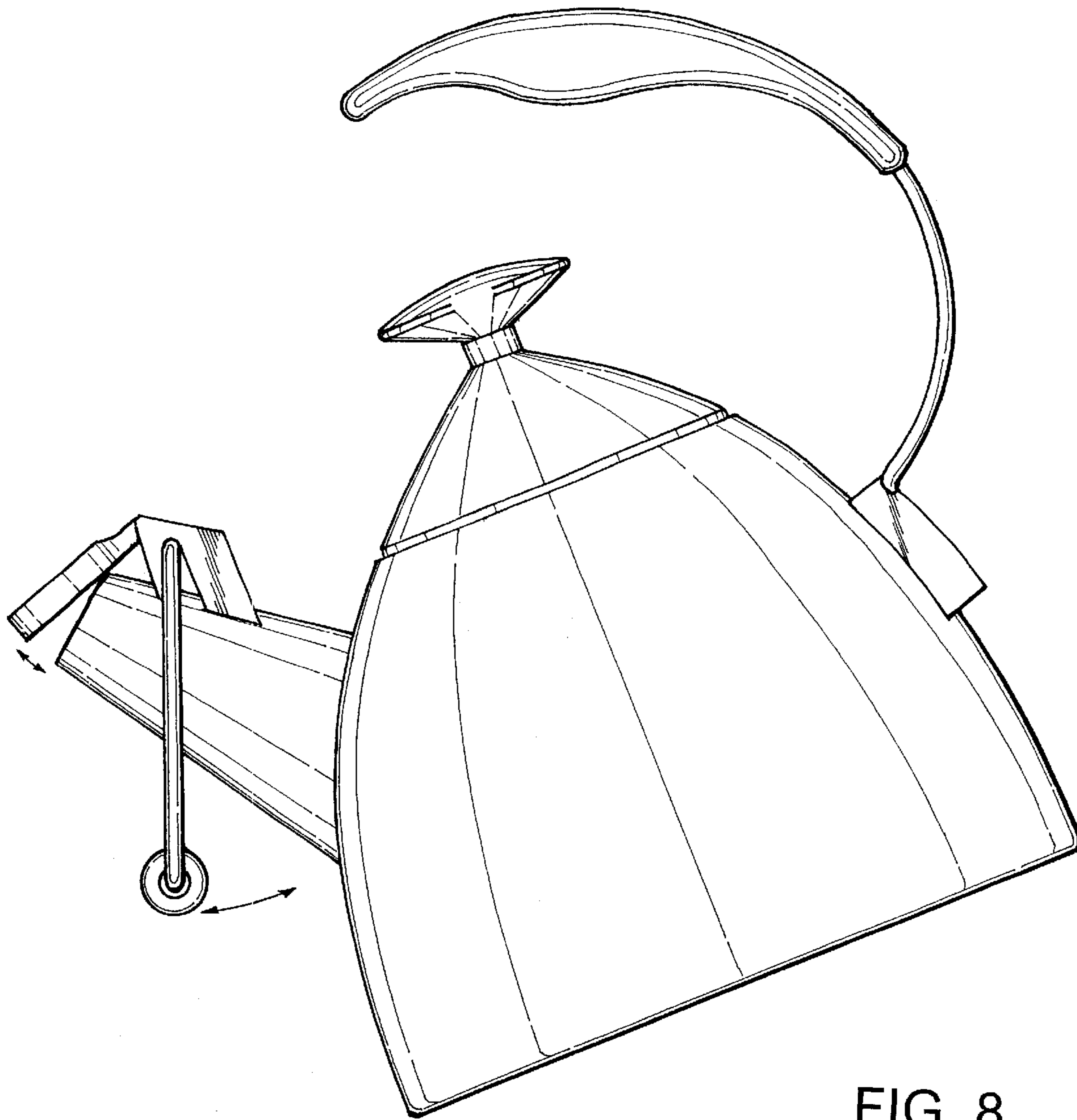


FIG. 8