



US00D529327S

(12) **United States Design Patent** (10) **Patent No.:** **US D529,327 S**
Martin et al. (45) **Date of Patent:** **** Oct. 3, 2006**

(54) **PILLOW**

(75) Inventors: **Jeffrey D. Martin**, Richmond, VA
(US); **Jessica Conlon**, Richmond, VA
(US)

(73) Assignee: **Carpenter Co.**, Richmond, VA (US)

(**) Term: **14 Years**

(21) Appl. No.: **29/229,303**

(22) Filed: **May 6, 2005**

(51) **LOC (8) Cl.** **06-09**

(52) **U.S. Cl.** **D6/601**

(58) **Field of Classification Search** D6/595,
D6/596, 601, 604, 606; 5/500, 617, 621,
5/624, 630, 632, 636, 637, 644, 645, 648,
5/652-655, 655.3, 655.9, 710, 736, 901;
267/143, 145; 297/284.1; 428/316.6

See application file for complete search history.

(56) **References Cited**

U.S. PATENT DOCUMENTS

2,751,609 A	6/1956	Oesterling et al.	5/420
2,785,739 A *	3/1957	McGregor, Jr. et al.	267/145
3,679,263 A	7/1972	Cadiou	297/452.48
3,974,532 A	8/1976	Ecchuya	5/724
4,020,511 A	5/1977	Terry	5/636
4,092,751 A	6/1978	Burkholder et al. ...	297/452.22
4,218,792 A	8/1980	Kogan	5/636
4,320,543 A	3/1982	Dixon	5/637
4,550,459 A	11/1985	Endel et al.	5/640
4,673,605 A	6/1987	Sias et al.	428/120
4,726,087 A	2/1988	Schaefer et al.	5/636
4,768,251 A	9/1988	Baskent	5/722
4,777,855 A	10/1988	Cohen	83/862
4,901,387 A	2/1990	Luke	5/730
D310,610 S	9/1990	Dixon	D6/601
D317,236 S *	6/1991	Dixon	D6/601
5,025,519 A	6/1991	Spann et al.	5/730
5,029,939 A *	7/1991	Smith et al.	297/284.1
5,079,790 A	1/1992	Pouch	5/630
D329,566 S *	9/1992	Davidson, Jr.	D6/601
5,152,023 A *	10/1992	Graebe	5/655.3

5,160,785 A *	11/1992	Davidson, Jr.	428/316.6
5,325,552 A	7/1994	Fong	5/724
5,459,896 A *	10/1995	Raburn et al.	5/653
D372,158 S	7/1996	Bonaddio et al.	D6/601
D375,863 S *	11/1996	Bigolin	D6/601
5,596,781 A *	1/1997	Graebe	5/710
5,682,633 A *	11/1997	Davis	5/636
5,689,844 A	11/1997	Liu	5/636
D389,702 S *	1/1998	Graebe et al.	D6/601
5,724,687 A	3/1998	Kim	5/633
D394,578 S *	5/1998	Raburn	D6/601
5,960,497 A	10/1999	Castellino et al.	5/730
5,987,668 A *	11/1999	Ackley	5/500
6,151,735 A	11/2000	Koby et al.	5/644
6,327,725 B1	12/2001	Veilleux et al.	5/644
6,345,401 B1 *	2/2002	Frydman	5/636
6,415,467 B1	7/2002	Bretvin	5/710
6,560,803 B1	5/2003	Zur	5/654
D497,761 S *	11/2004	Martin	D6/601
2005/0102756 A1	5/2005	Martin	

OTHER PUBLICATIONS

Contour Pillow, Memory Foam Pillow, Isotonic Pillows, "The Structure Memory Foam Pillow by Isotonic", pulled from internet at <http://www.absolutecomfortonsale.com/pillow.htm>, pulled from internet on Sep. 12, 2003, 3 pages.

(Continued)

Primary Examiner—Robert M. Spear
Assistant Examiner—Mary Ann Calabrese
(74) *Attorney, Agent, or Firm*—Smith, Gambrell & Russell, LLP

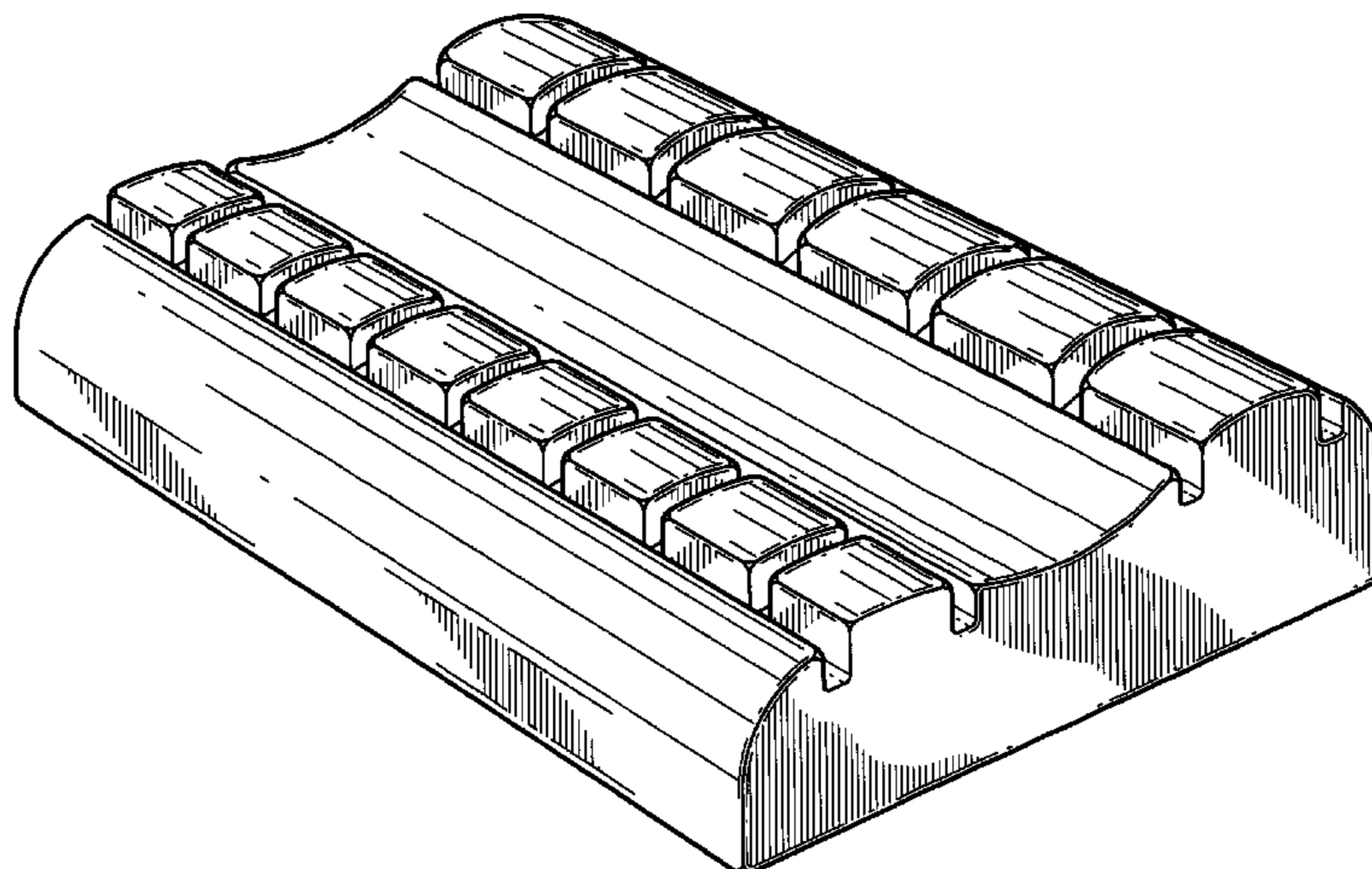
(57) **CLAIM**

The ornamental design for a pillow, as shown and described.

DESCRIPTION

FIG. 1 is a perspective view of the pillow of the present invention;
FIG. 2 is a top plan view;
FIG. 3 is a front elevational view;
FIG. 4 is a rear elevational view;
FIG. 5 is a left end elevational view (the right side being a mirror image thereof); and,
FIG. 6 is a bottom plan view thereof.

1 Claim, 6 Drawing Sheets



OTHER PUBLICATIONS

Isotonic Memory Foam Pillows, "Healthy Foundations", pulled from internet on Apr. 23, 2004 at <http://www.healthy-foundations.com/pillows.html>, 2 pages.

Comfort Zone Memory Foam Pillows, pulled from internet on Sep. 22, 2003 at <http://www.memoryfoamoutlet.com/comfort%20zone%20pillow.htm>, 3 pages.

Carpenter Company / Consumer Products—FOAM; pulled from internet on Sep. 12, 2003 at http://www.carpenter.com/Divisions/consumerprod_foam.htm, 2 pages.

Comfort Zone Memory Foam Pillow, 2 pages, not dated.

Sensafoam sleeping pillows the Perfect Pillow from the Texas Frontier Outfitters Store, pulled from internet on Sep. 22, 2003 at http://www.texasfrontieroutfitters.com/tfo-ra-te_perfectpillow.html 2 pages.

Guiseley Mobility: Comrie Deluxe Comfort Mattress, Massage Back Support, pulled from internet on Apr. 12, 2004 at <http://www.guiseleymobility.com/comfort1.htm> 3 pages.

U.S. Appl. No. 29/229,302, filed May 6, 2005, entitled "PILLOW".

U.S. Appl. No. 10/712,267, filed Nov. 14, 2003, entitled "Cushioning Device".

* cited by examiner

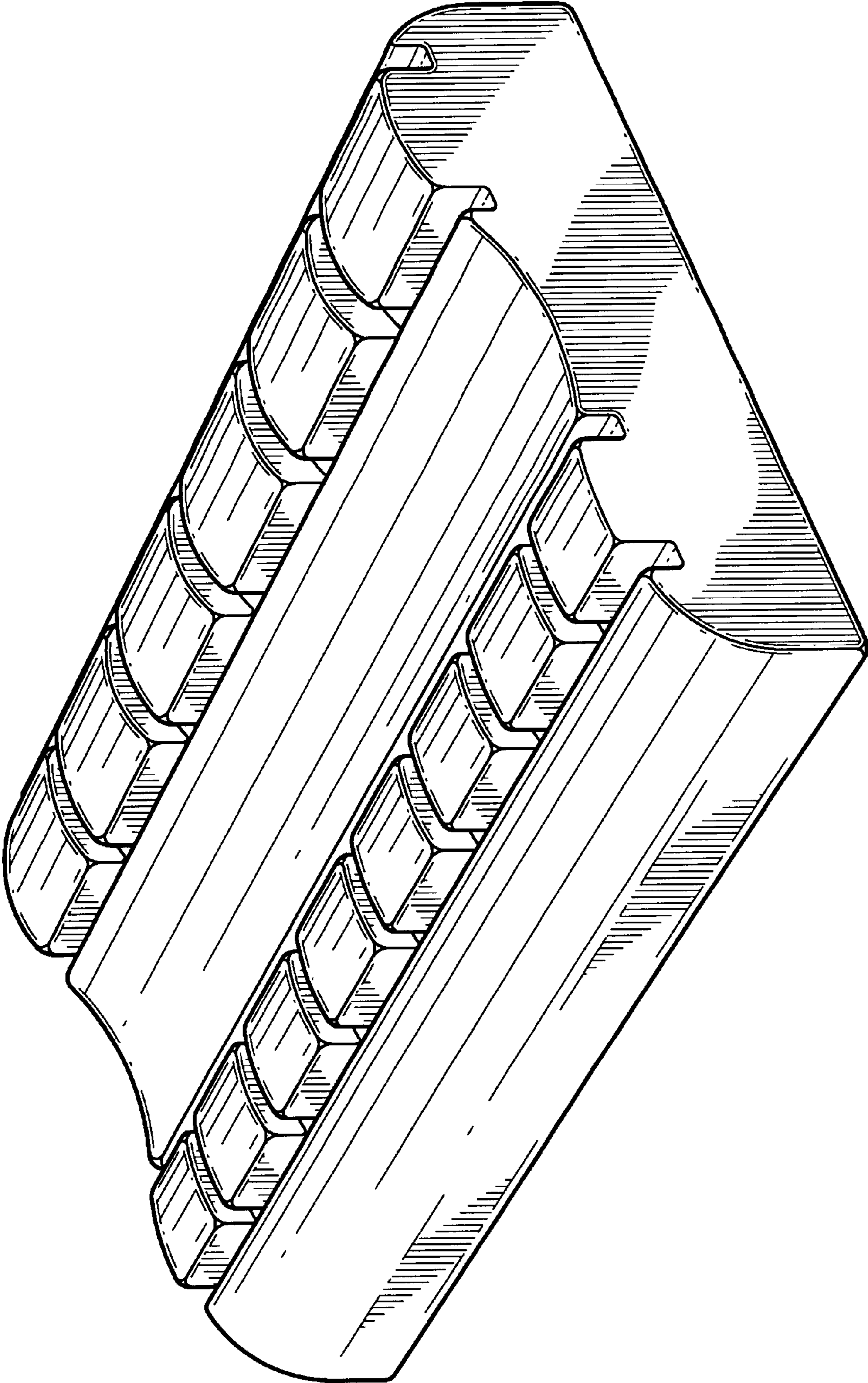


FIG.1

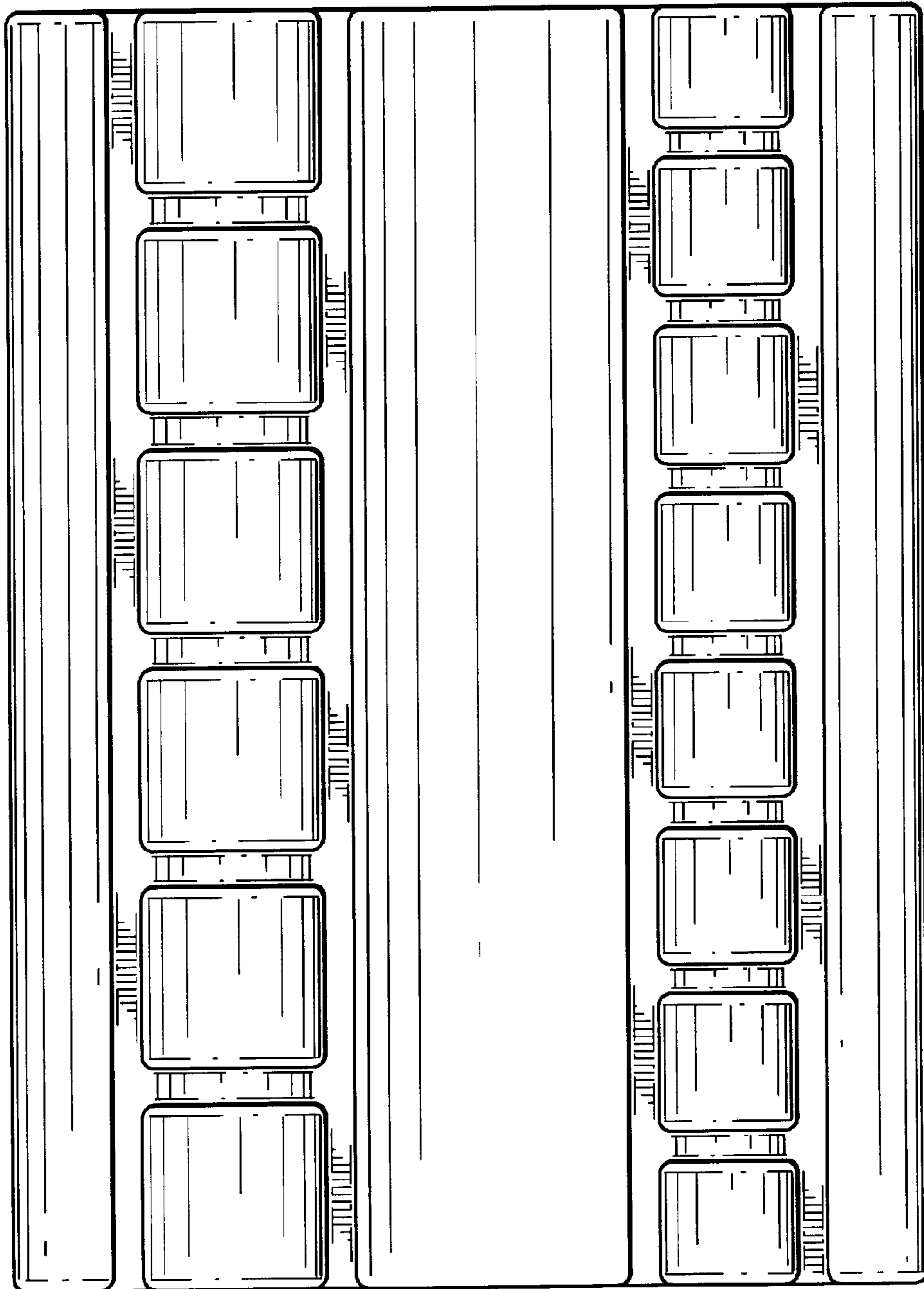


FIG. 2

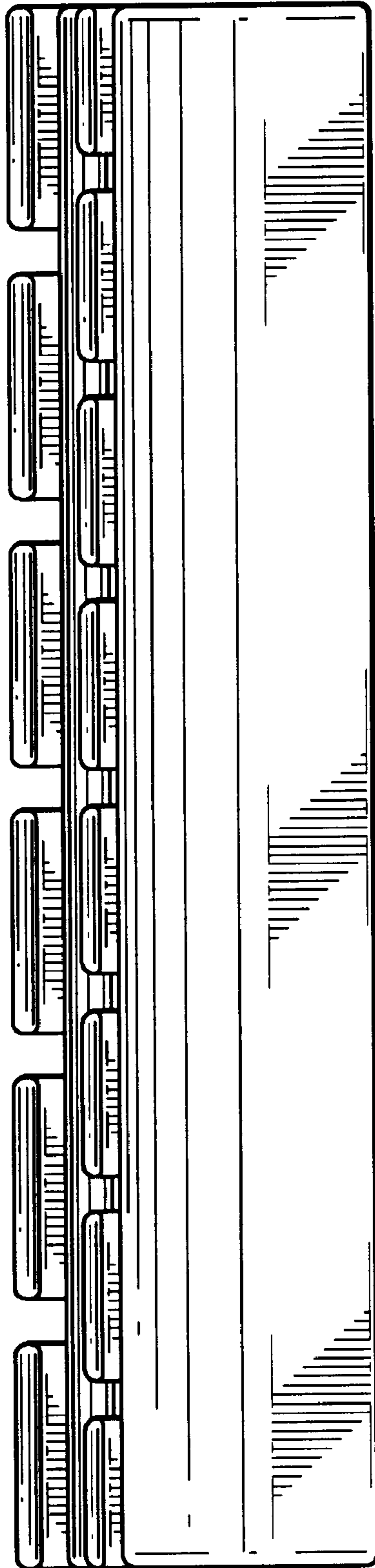


FIG. 3

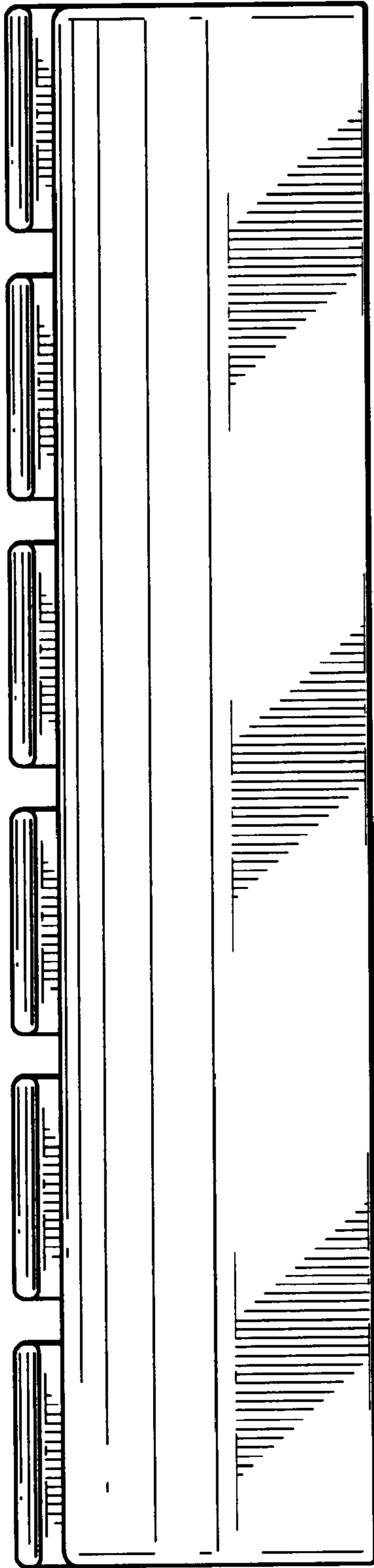


FIG. 4

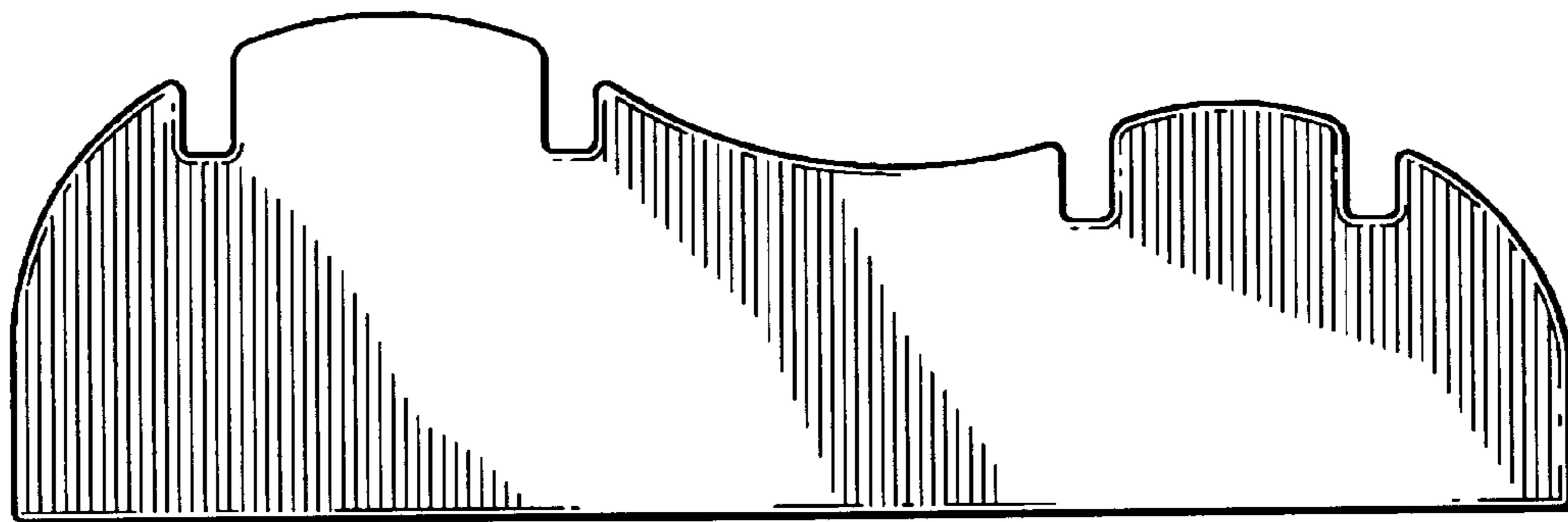


FIG. 5

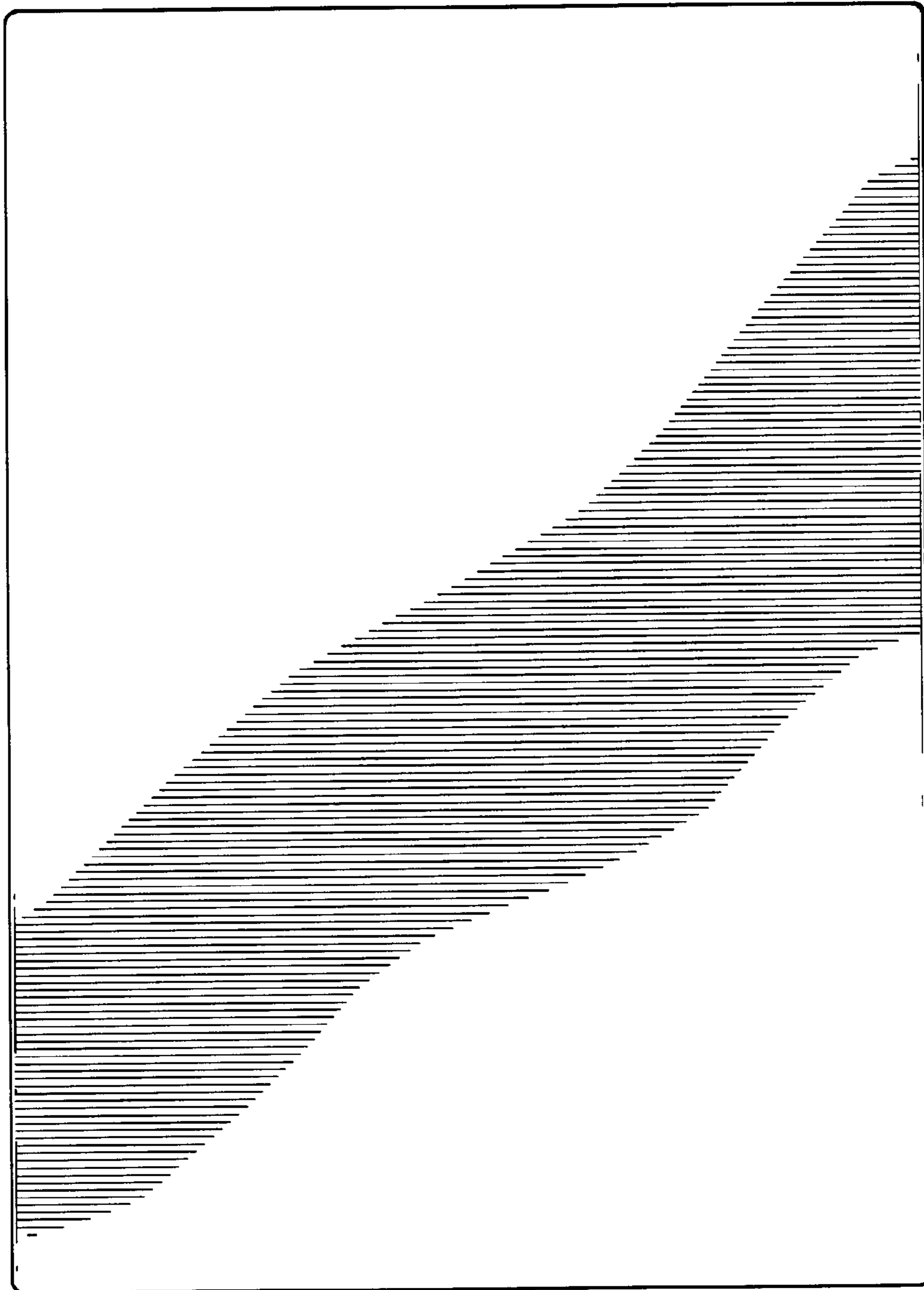


FIG. 6