



US00D529323S

(12) **United States Design Patent**  
**Gilbert**

(10) **Patent No.:** **US D529,323 S**

(45) **Date of Patent:** **\*\* Oct. 3, 2006**

(54) **GRAB BAR**

(75) Inventor: **Christopher Jon Gilbert**, Moreland Hills, OH (US)

(73) Assignee: **Moen Incorporated**, North Olmsted, OH (US)

(\*\*) Term: **14 Years**

(21) Appl. No.: **29/241,713**

(22) Filed: **Oct. 31, 2005**

(51) **LOC (8) Cl.** ..... **23-02**

(52) **U.S. Cl.** ..... **D6/550**

(58) **Field of Classification Search** ..... D6/546-550,  
D6/518-523; D8/300, 303, 315-321, 349,  
D8/354, 363, 373, 380; 108/28-29; 211/13.1,  
211/16, 60.1, 100, 86.01, 87.01, 88.01, 88.04,  
211/105.1-105.2, 123, 182, 181.1; 248/175,  
248/176.1, 251, 302, 309.1; 16/110.1, 412,  
16/415; 242/570, 590, 595-598

See application file for complete search history.

(56) **References Cited**

**U.S. PATENT DOCUMENTS**

D417,989 S	12/1999	Moore et al.	
D417,995 S	12/1999	Chen	
D452,402 S	12/2001	Chen	
D452,791 S	1/2002	Chen	
D455,823 S	* 4/2002	Zetsche	..... D6/549
D463,936 S	* 10/2002	Chen	..... D6/550
D466,349 S	12/2002	Tai	
D466,738 S	12/2002	Yen	
D466,746 S	12/2002	Chen	
D466,747 S	12/2002	Yegyayan	

D469,291 S	1/2003	Ouyoung	
D469,644 S	2/2003	Yen	
D477,168 S	7/2003	Greenspon	
D477,486 S	7/2003	Green	
D477,735 S	7/2003	Solowiej	
D477,739 S	* 7/2003	Gilbert	..... D6/549
D477,740 S	7/2003	Gilbert	
D483,585 S	* 12/2003	Chen	..... D6/524
D492,525 S	7/2004	Roberts, II et al.	
D492,530 S	* 7/2004	Chen	..... D6/549
D498,100 S	11/2004	Wu	
D499,292 S	12/2004	Sale, Jr.	
D503,061 S	* 3/2005	Fuchs	..... D6/549

\* cited by examiner

*Primary Examiner*—Brian N Vinson

(74) *Attorney, Agent, or Firm*—Calfee, Halter & Griswold LLP

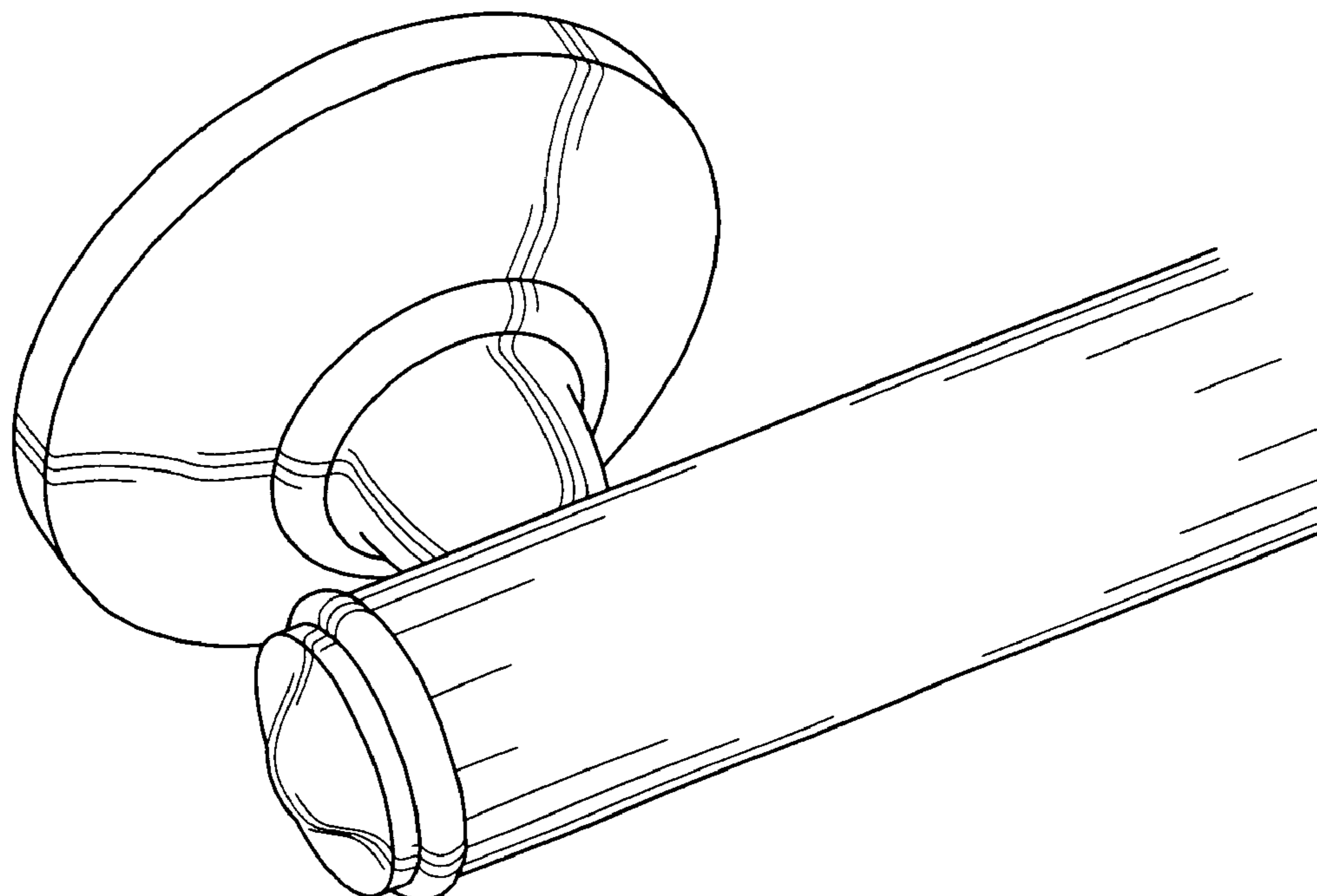
(57) **CLAIM**

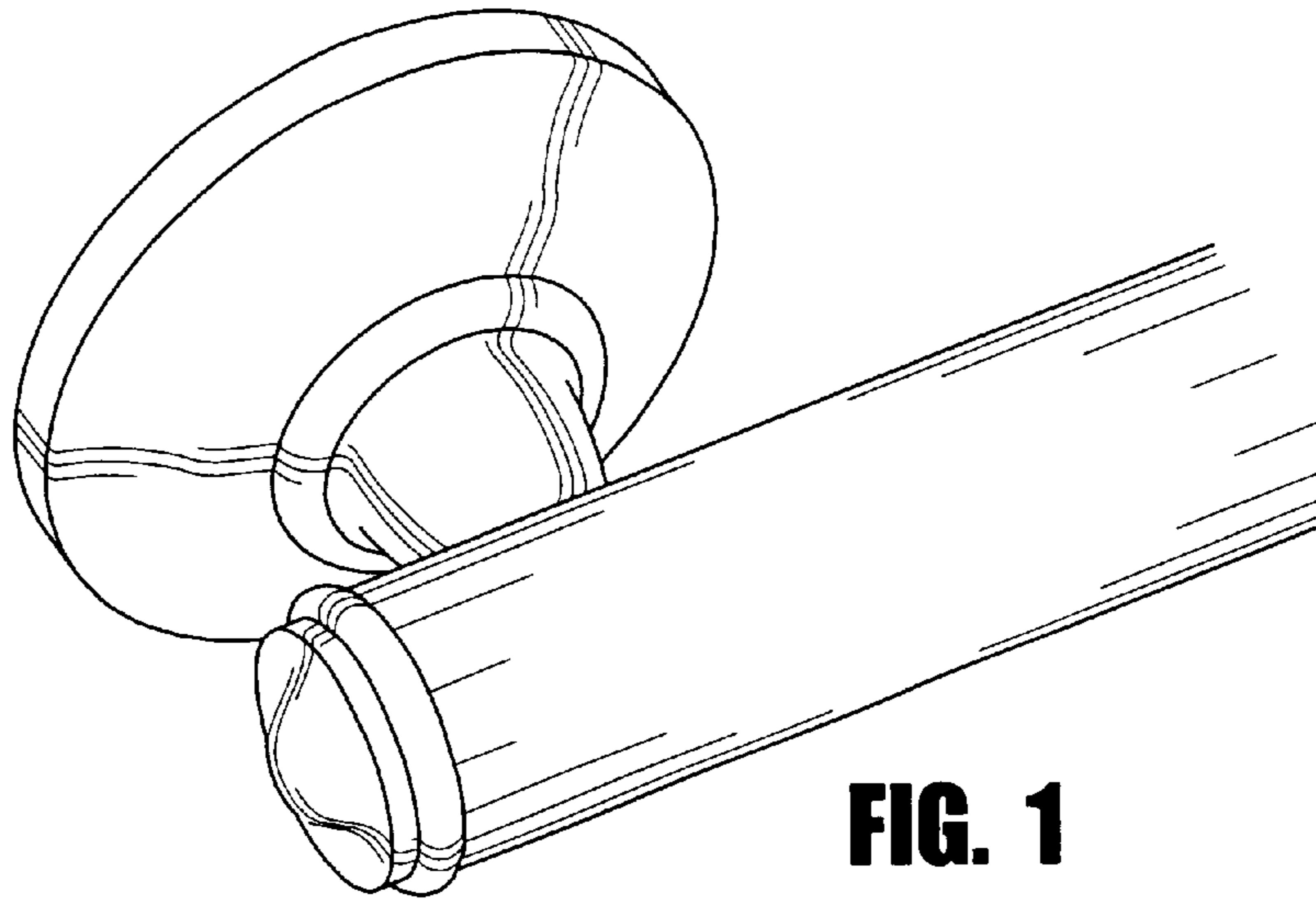
The ornamental design for a grab bar, as shown and described.

**DESCRIPTION**

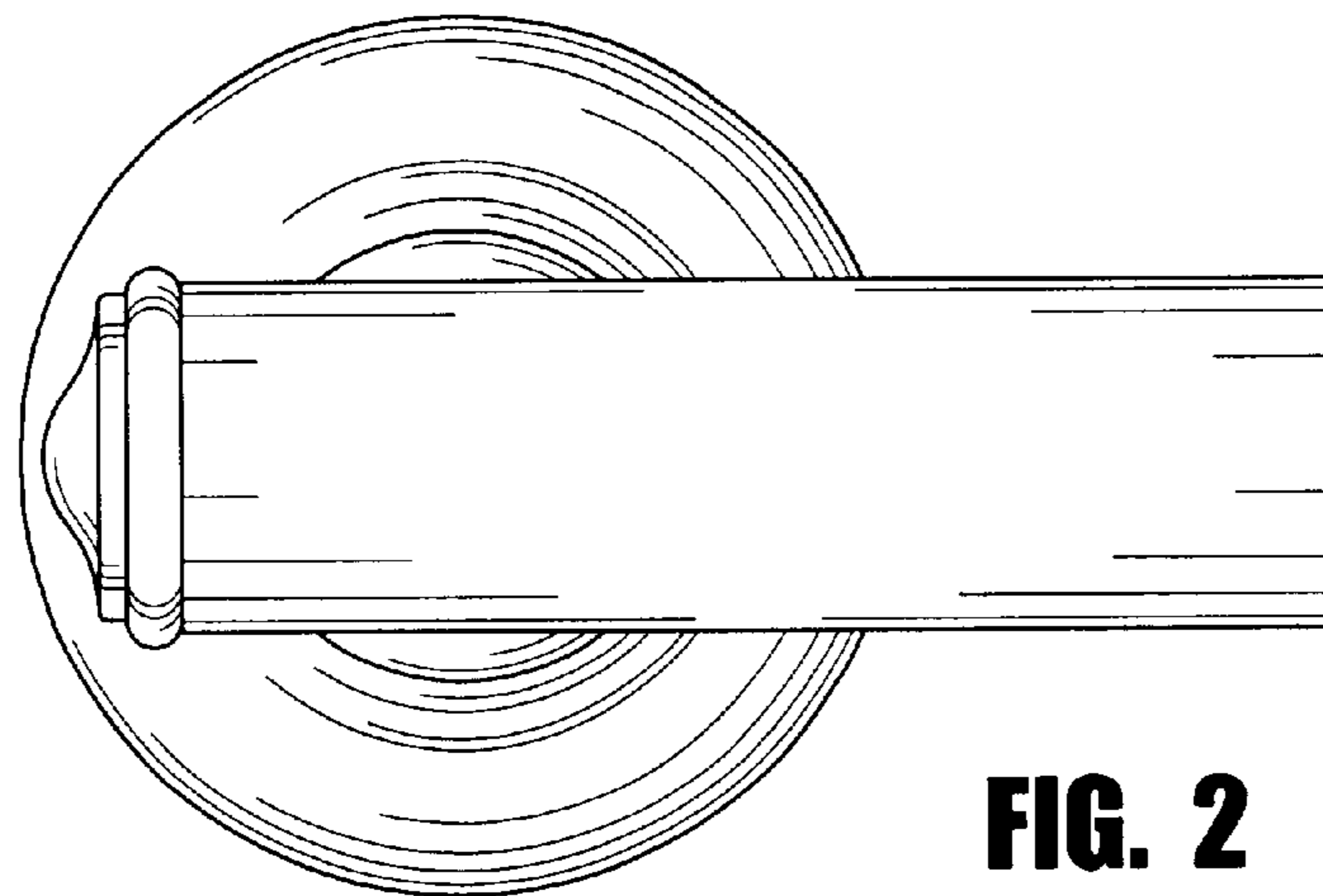
FIG. 1 is a perspective view of a grab bar of the new design; FIG. 2 is a front elevational view of the grab bar of FIG. 1; FIG. 3 is a rear elevational view of the grab bar of FIG. 1; FIG. 4 is a left side elevational view of the grab bar of FIG. 1; FIG. 5 is a right side elevational view of the grab bar of FIG. 1; FIG. 6 is a top plan view of the grab bar of FIG. 1; and, FIG. 7 is a bottom plan view of the grab bar of FIG. 1. The portions of the Figures shown in broken lines are not part of the claimed design but are for illustration only.

**1 Claim, 2 Drawing Sheets**

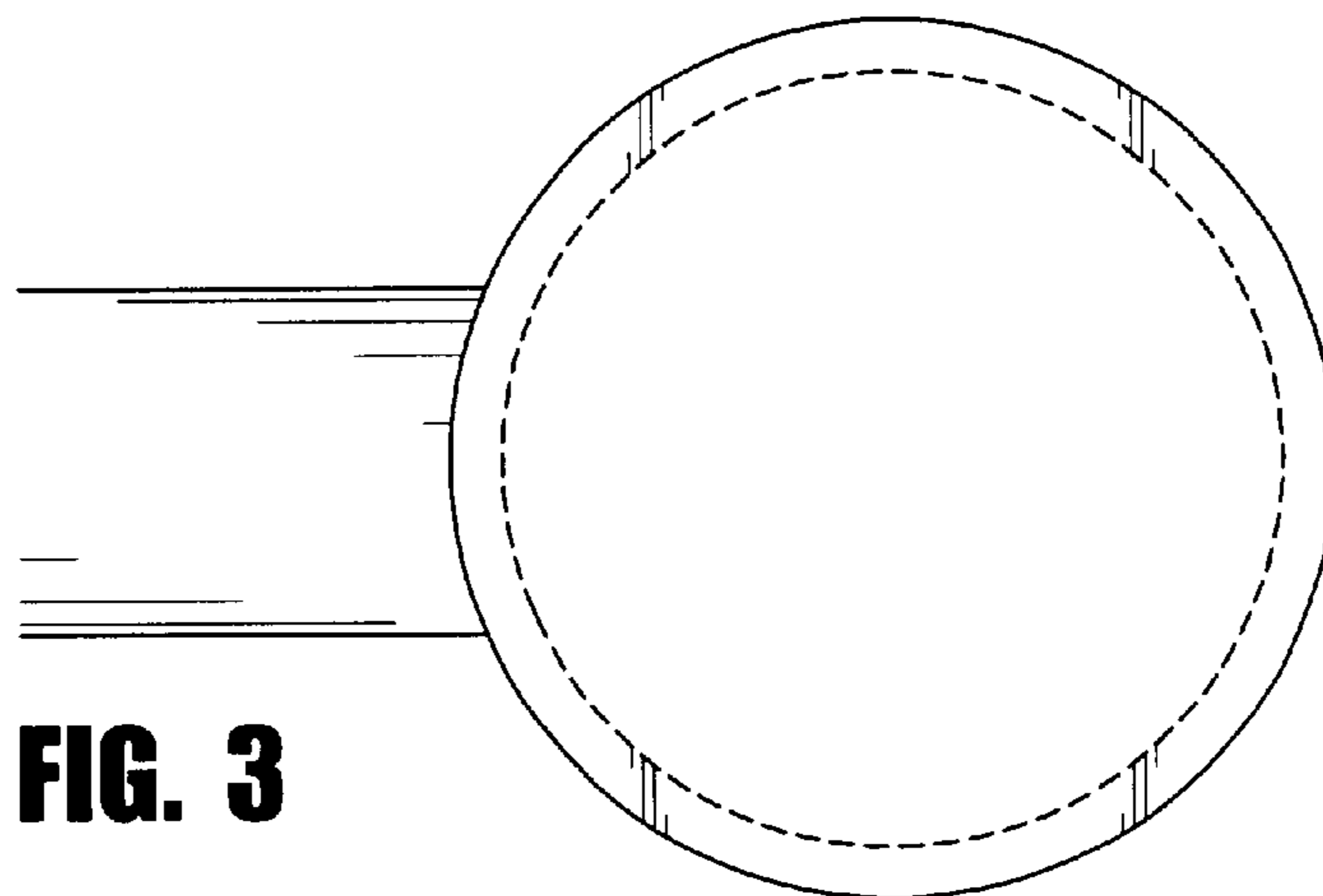




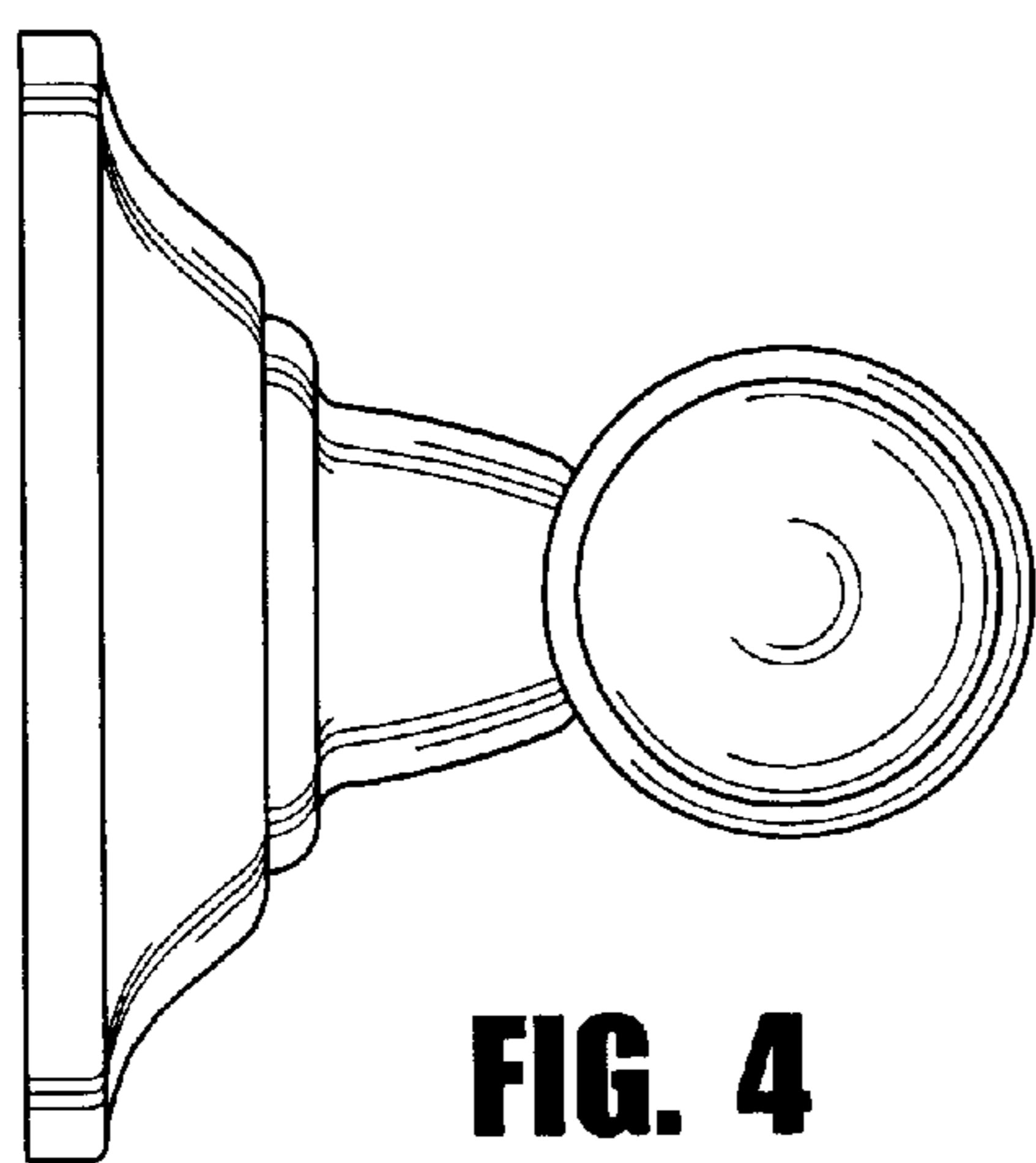
**FIG. 1**



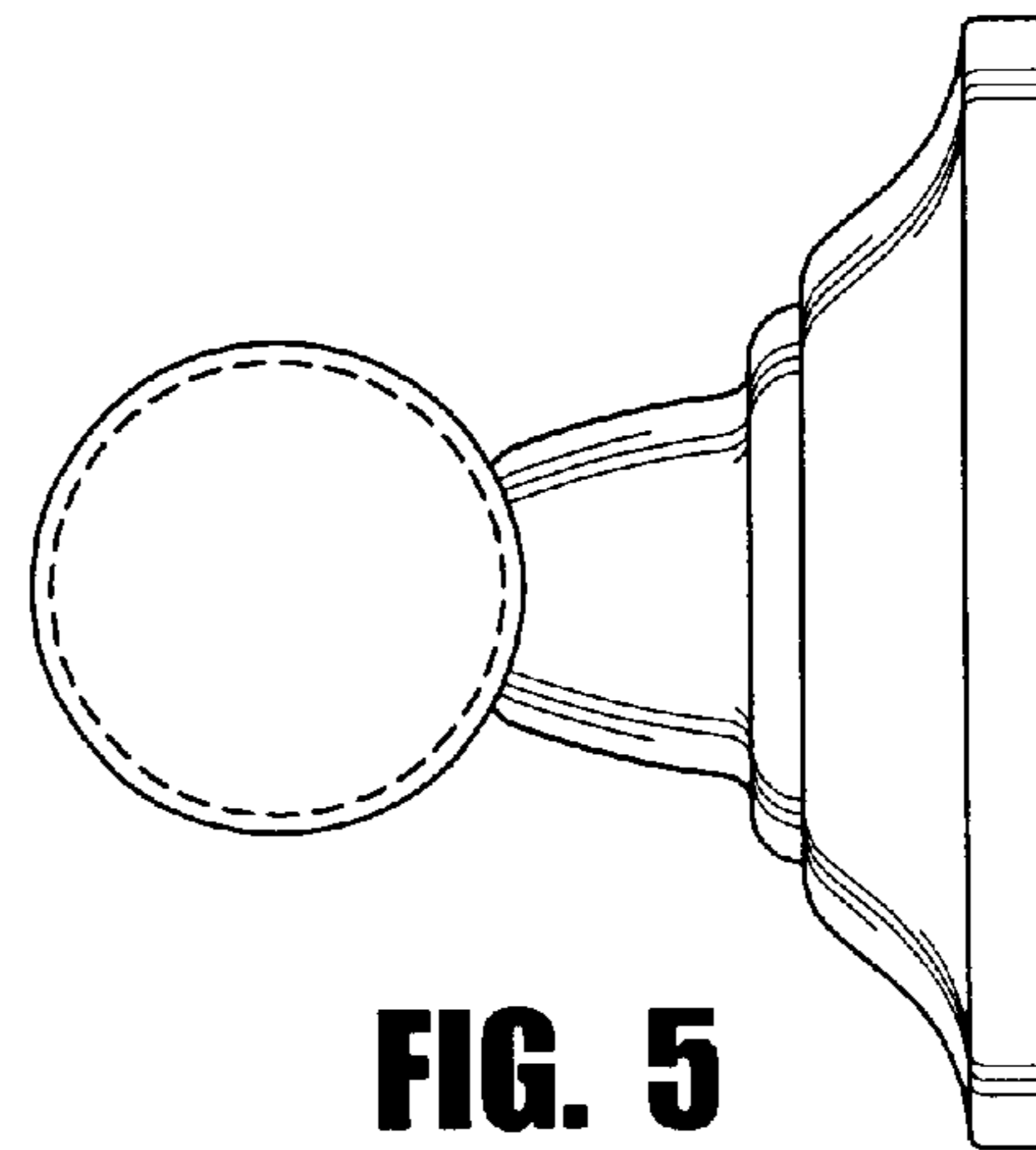
**FIG. 2**



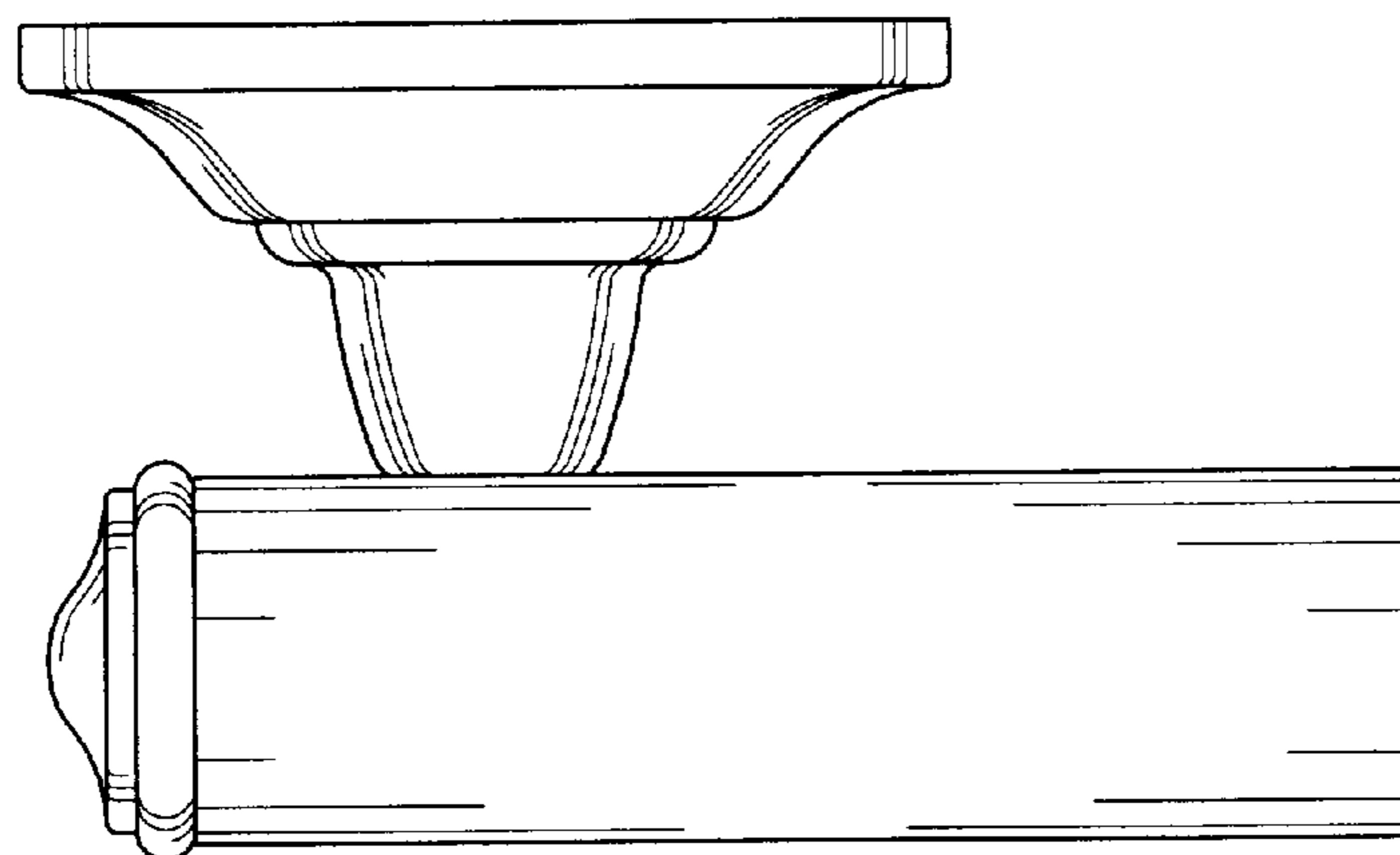
**FIG. 3**



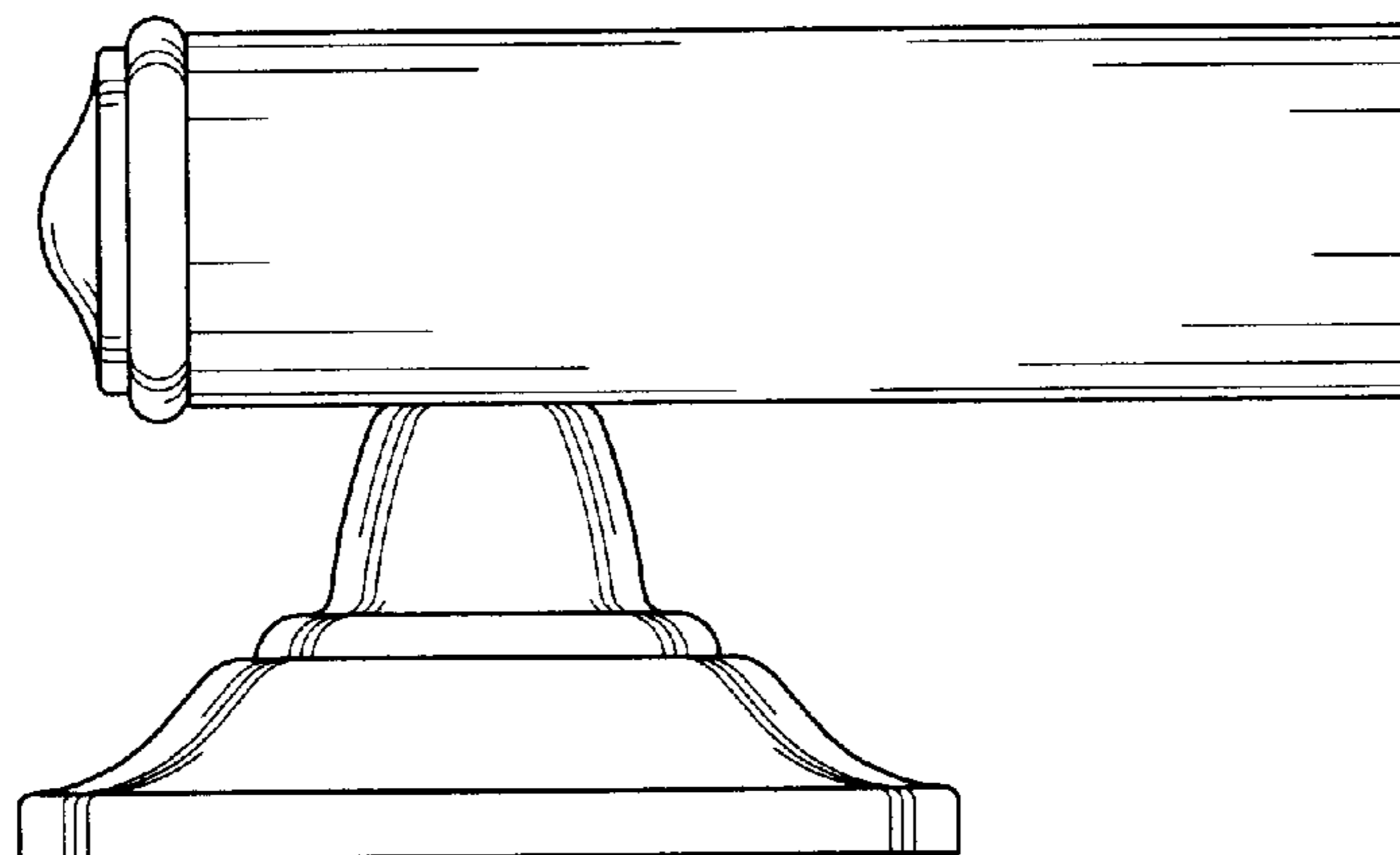
**FIG. 4**



**FIG. 5**



**FIG. 6**



**FIG. 7**