



US00D529320S

(12) **United States Design Patent**
Corral

(10) **Patent No.:** **US D529,320 S**

(45) **Date of Patent:** **** Oct. 3, 2006**

(54) **DISPENSER**

(76) Inventor: **Felipe H. Corral**, 1931 Santa Lucia Ave., Oxnard, CA (US) 93030

(**) Term: **14 Years**

(21) Appl. No.: **29/254,242**

(22) Filed: **Feb. 17, 2006**

(51) **LOC (8) Cl.** **23-02**

(52) **U.S. Cl.** **D6/518; D6/523**

(58) **Field of Classification Search** D6/518-523;
206/389; 221/282-283; 312/34.8; 242/570,
242/590, 560, 598

See application file for complete search history.

(56) **References Cited**

U.S. PATENT DOCUMENTS

| | | | | | |
|--------------|---|---------|----------------|-------|---------|
| D283,574 S | * | 4/1986 | Bernard | | D6/522 |
| D377,284 S | * | 1/1997 | Farrow et al. | | D6/519 |
| D387,540 S | * | 12/1997 | Kaufman | | D2/857 |
| D417,987 S | * | 12/1999 | Velazquez | | D6/520 |
| D421,690 S | * | 3/2000 | Sutherland | | D6/520 |
| 6,302,350 B1 | * | 10/2001 | Burrell et al. | | 242/560 |

* cited by examiner

Primary Examiner—Brian N Vinson

(74) *Attorney, Agent, or Firm*—Richard S. Erbe

(57) **CLAIM**

The ornamental design for a dispenser, as shown and described.

DESCRIPTION

FIG. 1 is a perspective view of my dispenser, with the top closed.

FIG. 2 is a front elevational view of my dispenser.

FIG. 3 is a rear elevational view of my dispenser.

FIG. 4 is a right side elevational view of my dispenser.

FIG. 5 is a left side elevational view of my dispenser

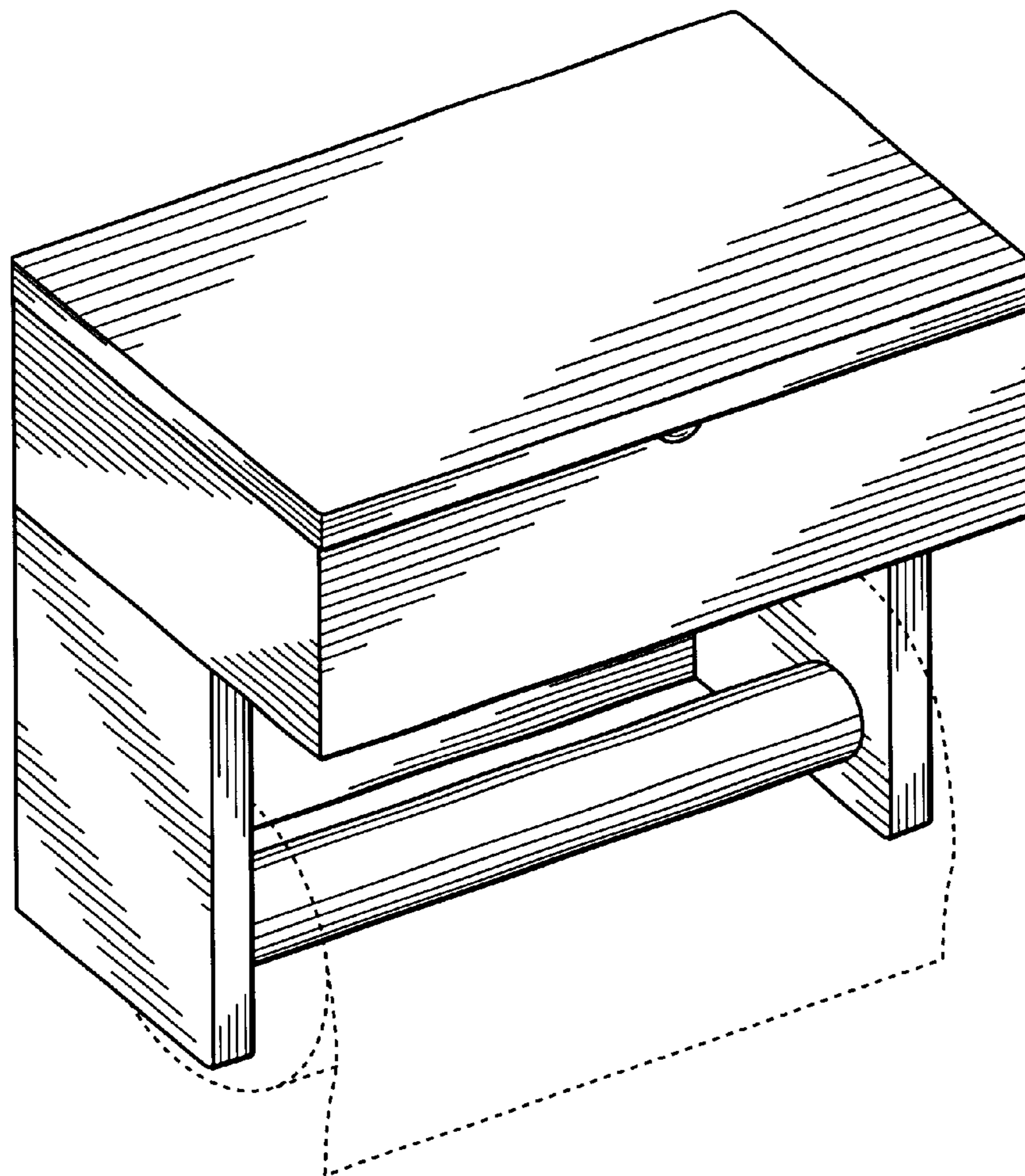
FIG. 6 is a top plan view of my dispenser

FIG. 7 is a bottom plan view of my dispenser; and,

FIG. 8 is a perspective view of my dispenser, with the top open.

The broken-line disclosure in the views is for illustrative purposes only and forms no part of the claimed design.

1 Claim, 3 Drawing Sheets



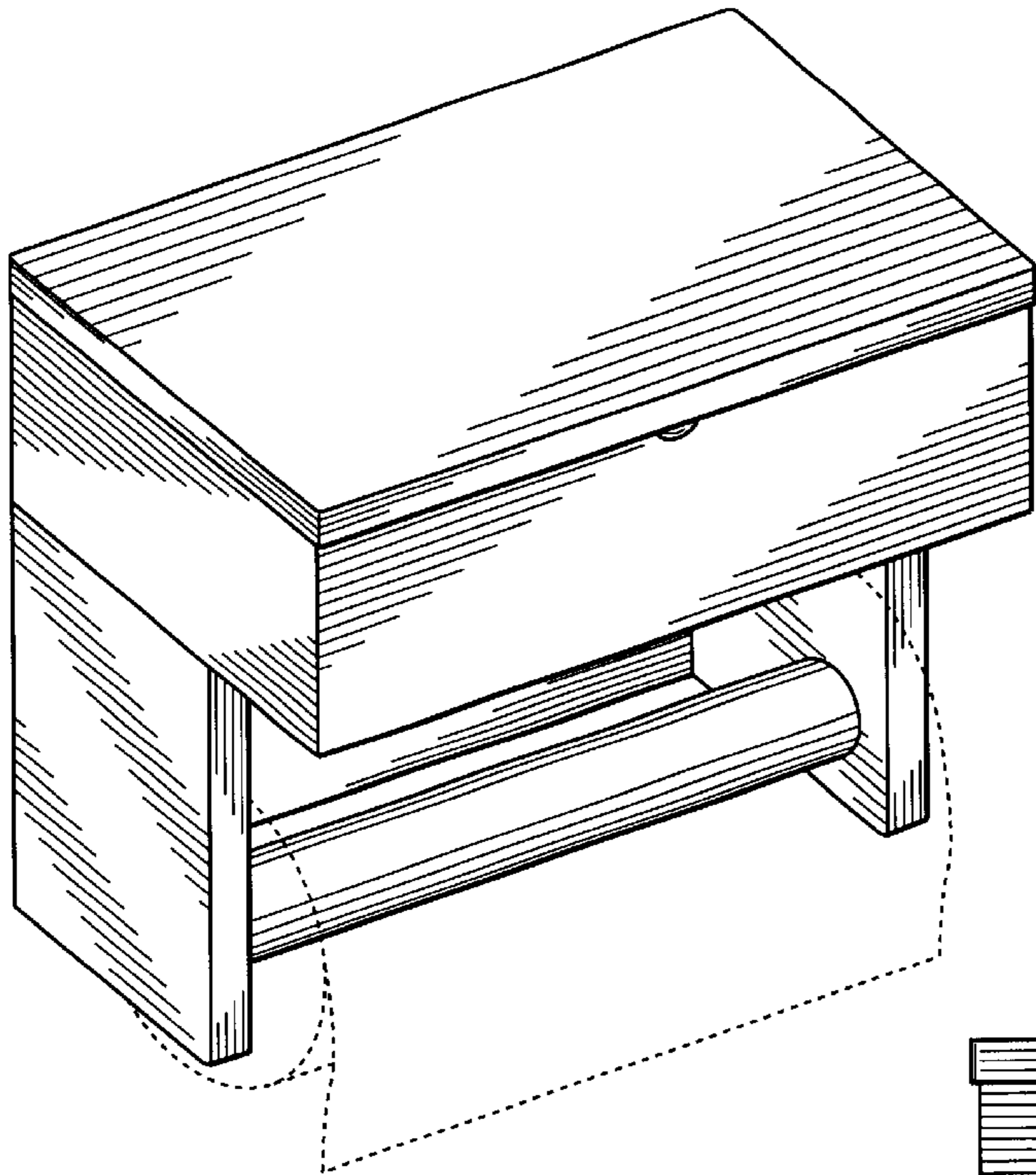


FIG. 1

FIG. 2

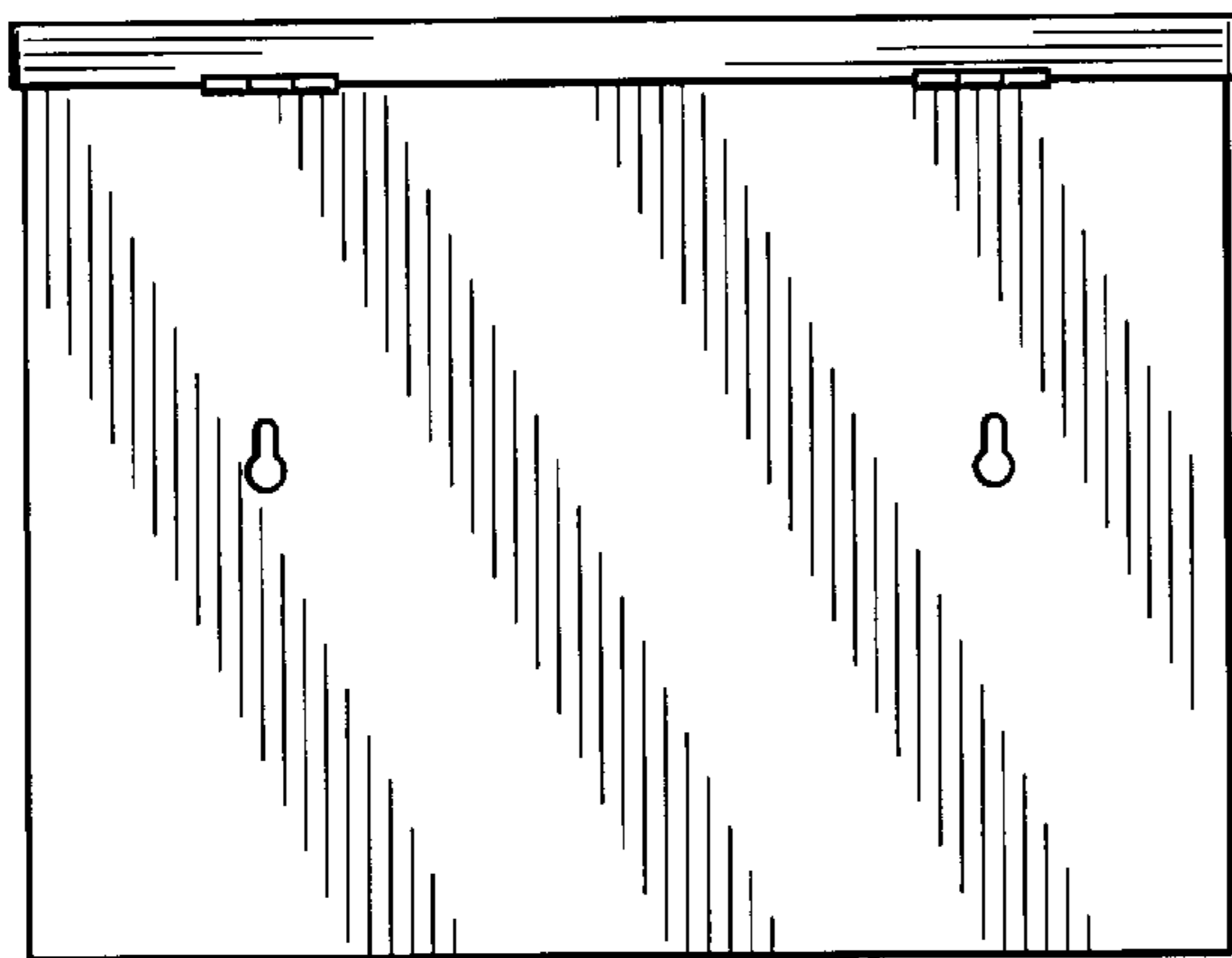
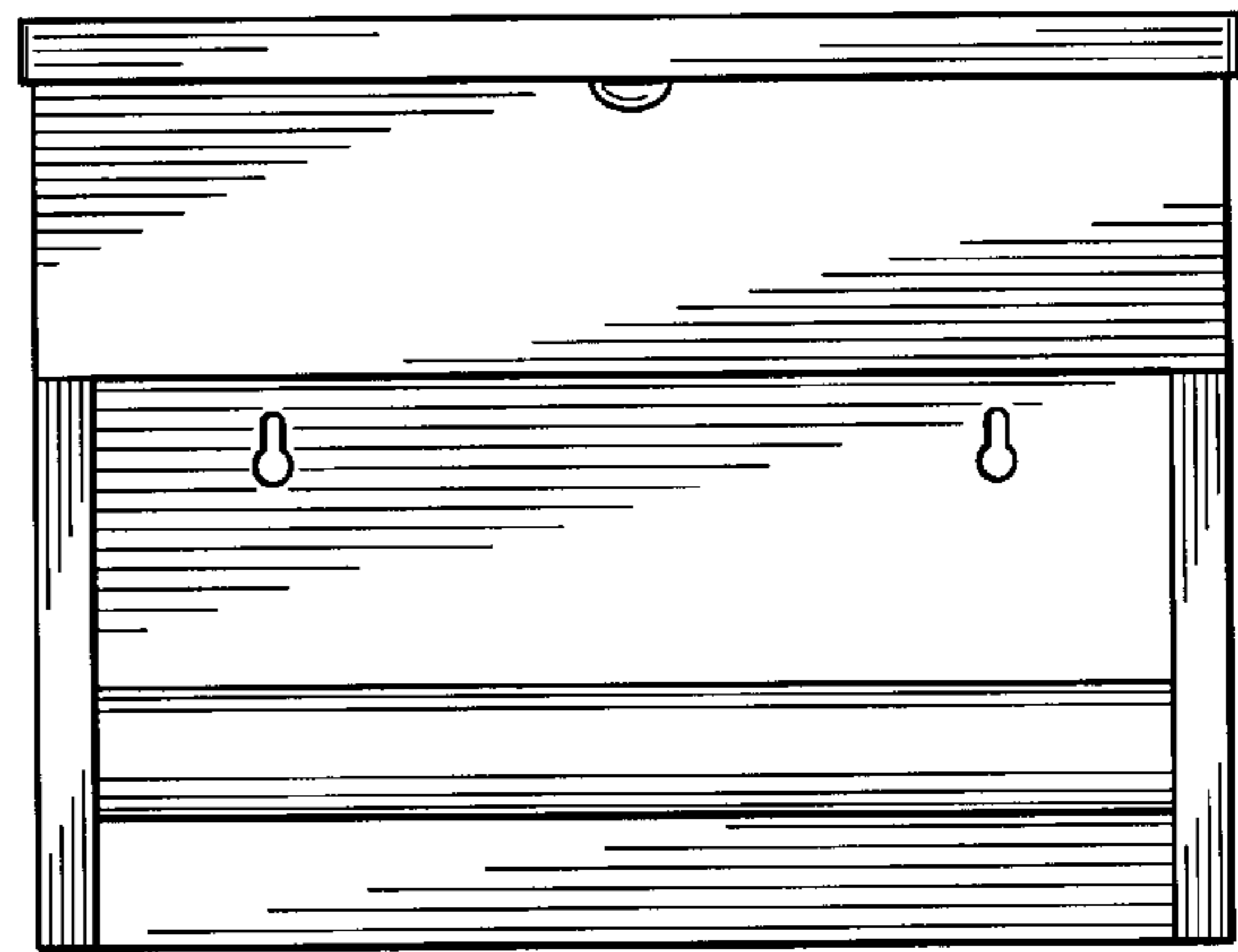


FIG. 3

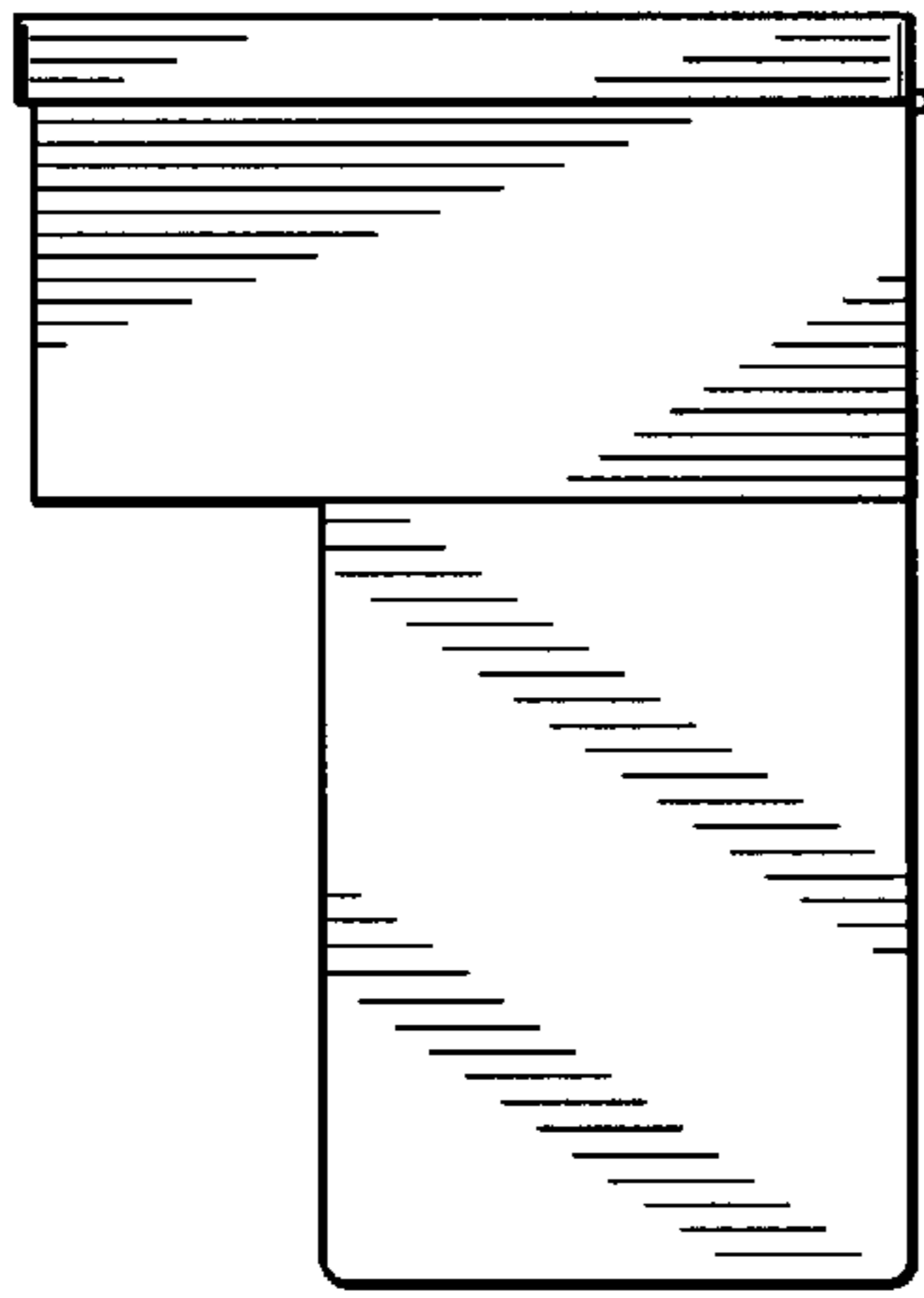


FIG. 4

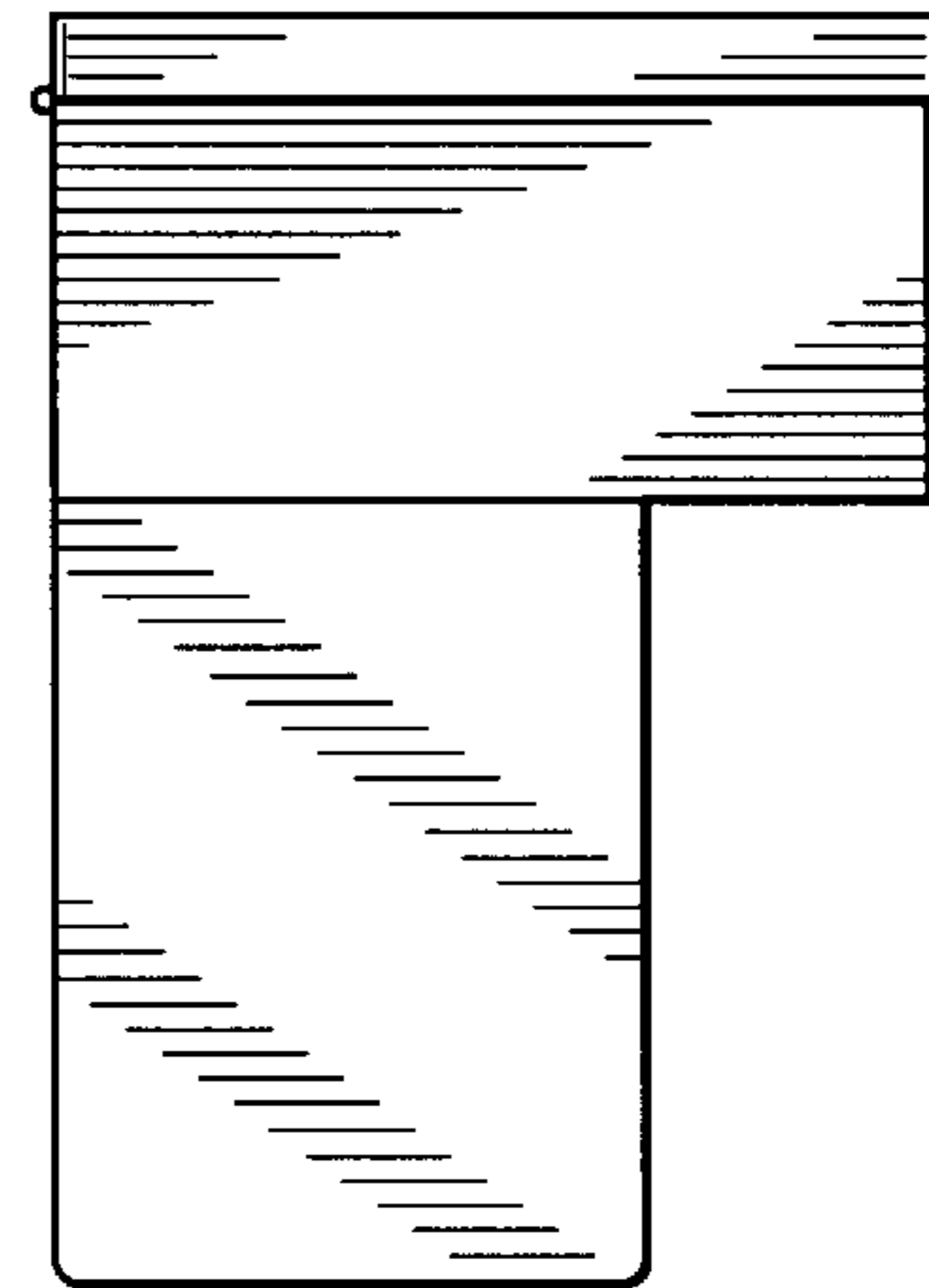


FIG. 5

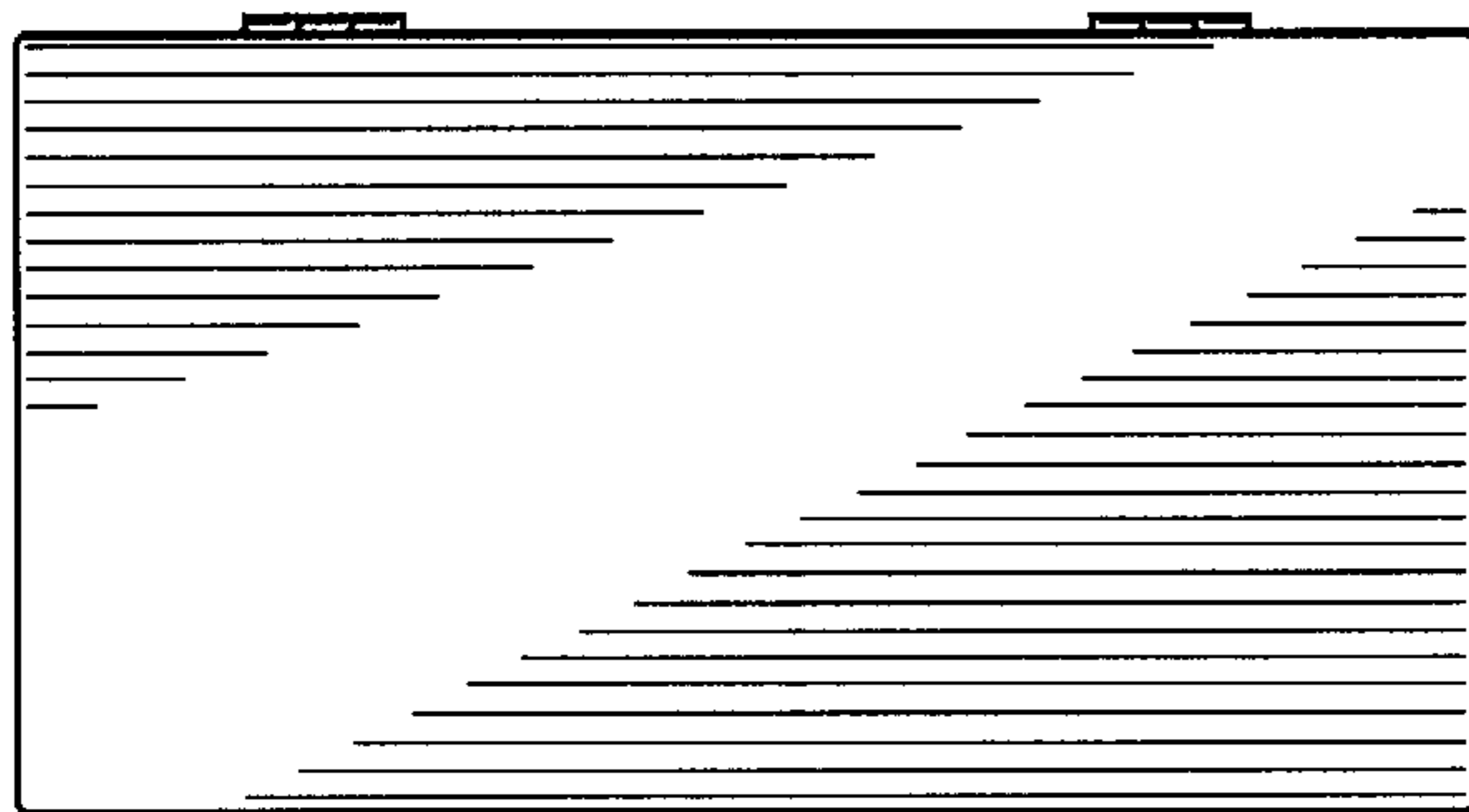


FIG. 6

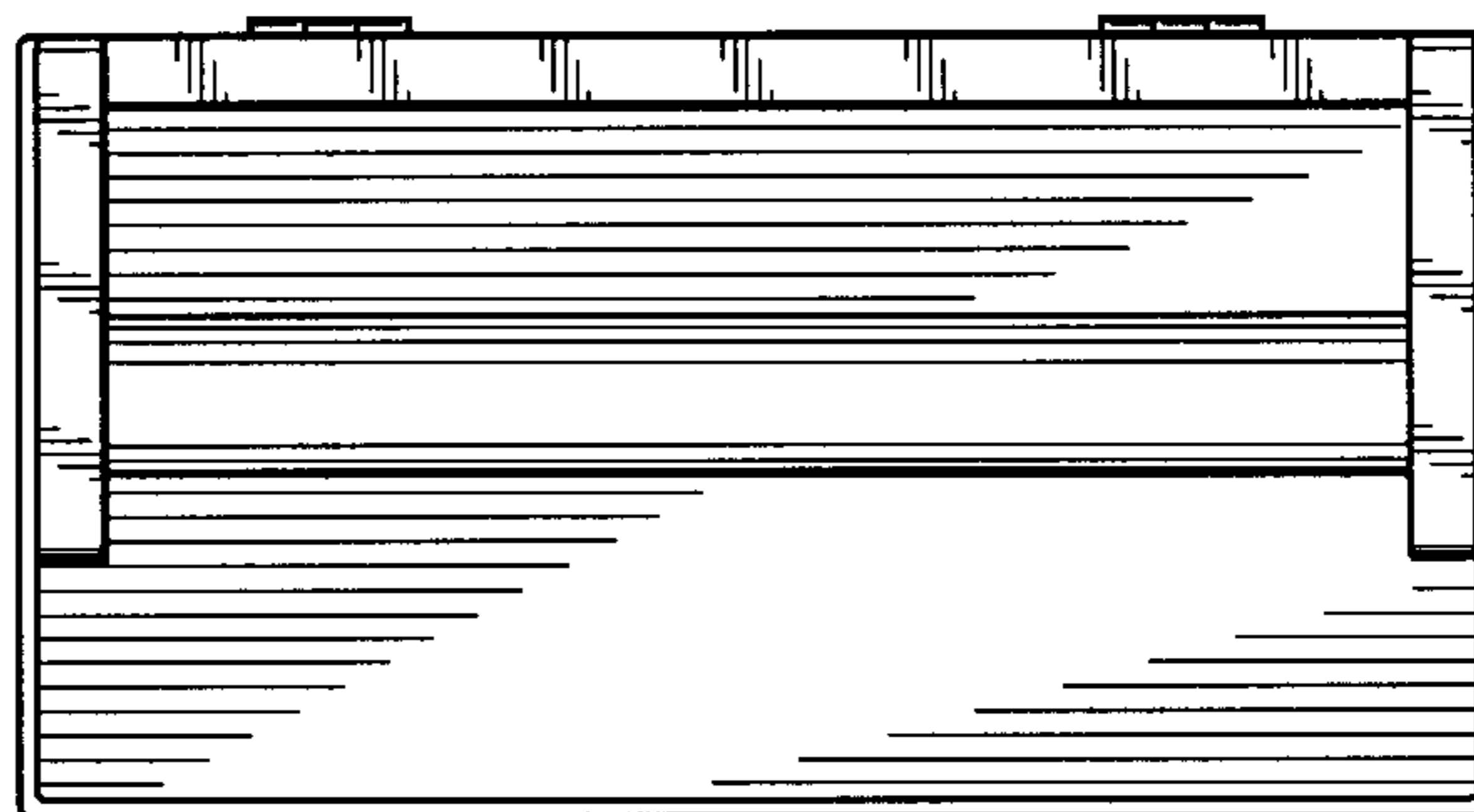


FIG. 7

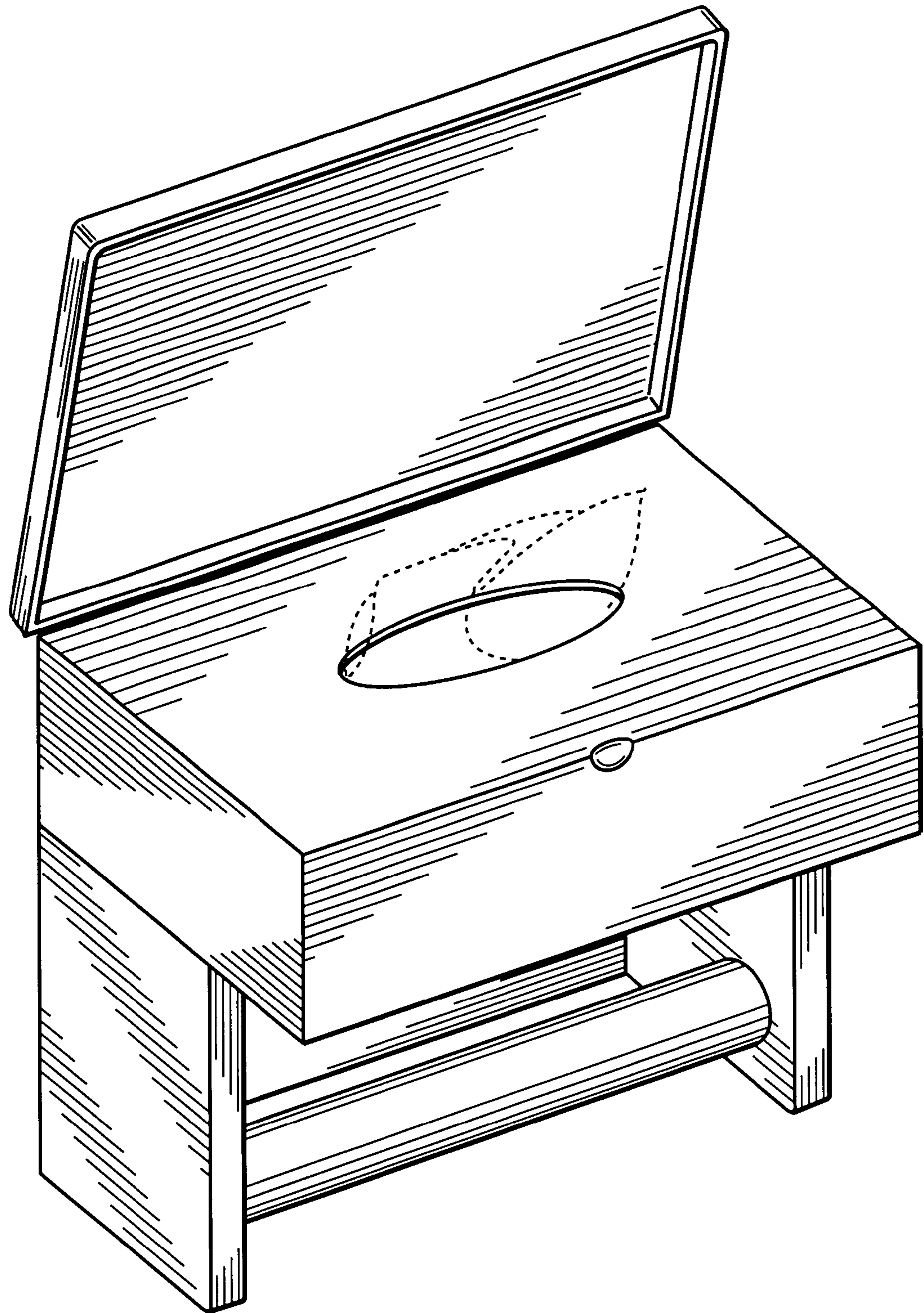


FIG. 8