

US00D529317S

(12) **United States Design Patent**
Takatsuki et al.

(10) **Patent No.:** **US D529,317 S**

(45) **Date of Patent:** **** Oct. 3, 2006**

(54) **TELEVISION STAND**

(75) Inventors: **Hiroaki Takatsuki**, Tokyo (JP);
Shigetaka Kimura, La Jolla, CA (US)

(73) Assignee: **Hitachi Home Electronics (America), Inc.**, Chula Vista, CA (US)

(**) Term: **14 Years**

(21) Appl. No.: **29/238,962**

(22) Filed: **Sep. 22, 2005**

(51) **LOC (8) Cl.** **06-04**

(52) **U.S. Cl.** **D6/479**

(58) **Field of Classification Search** D6/460,
D6/461, 468, 474, 477-479; 312/7.2, 9.1;
108/59, 91, 92, 96; 211/40, 41.12, 42, 49.1,
211/50, 85.2, 90.04, 187, 190, 119.003, 134,
211/153, 87.01, 71.01; D14/129
See application file for complete search history.

(56) **References Cited**

U.S. PATENT DOCUMENTS

D454,731 S * 3/2002 Niitsu D6/479
D477,159 S * 7/2003 Niitsu D6/479

D496,543 S * 9/2004 Forlenza D6/477
D517,837 S * 3/2006 Takatsuki et al. D6/477
D518,664 S * 4/2006 Villalobos et al. D6/477
D518,667 S * 4/2006 Joe et al. D6/479

* cited by examiner

Primary Examiner—Cathron C. Brooks

(74) *Attorney, Agent, or Firm*—Knobbe, Martens, Olson & Bear, LLP

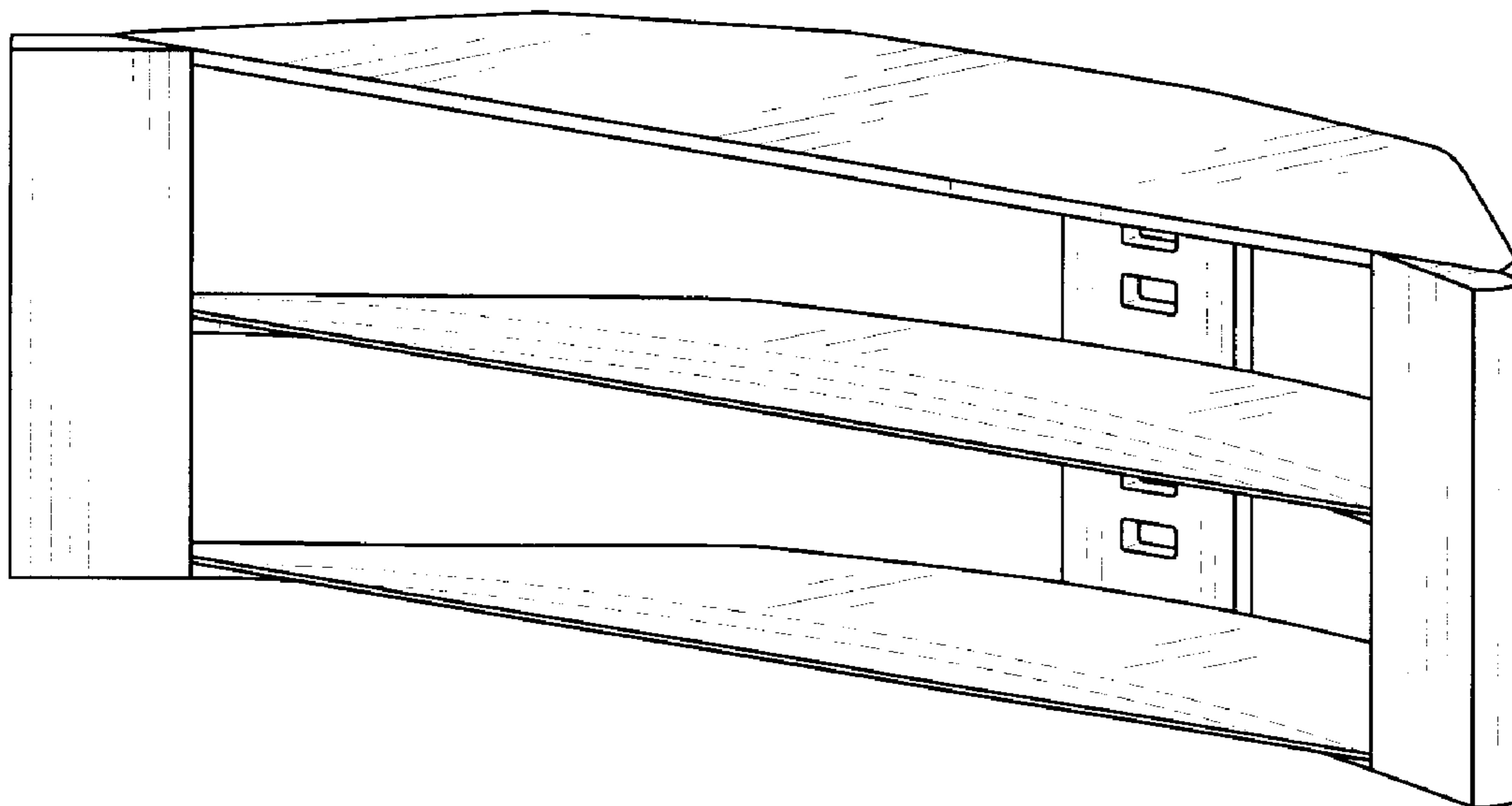
(57) **CLAIM**

The ornamental design for a television stand, as shown and described.

DESCRIPTION

FIG. 1 is a perspective view of a television stand;
FIG. 2 is a front elevational view thereof;
FIG. 3 is a rear elevational view thereof;
FIG. 4 is a right side elevational view thereof;
FIG. 5 is a left side elevational view thereof;
FIG. 6 is a top plan view thereof; and,
FIG. 7 is a bottom plan view thereof.
The broken lines are shown for illustrative purposes only and form no part of the claimed design.

1 Claim, 4 Drawing Sheets



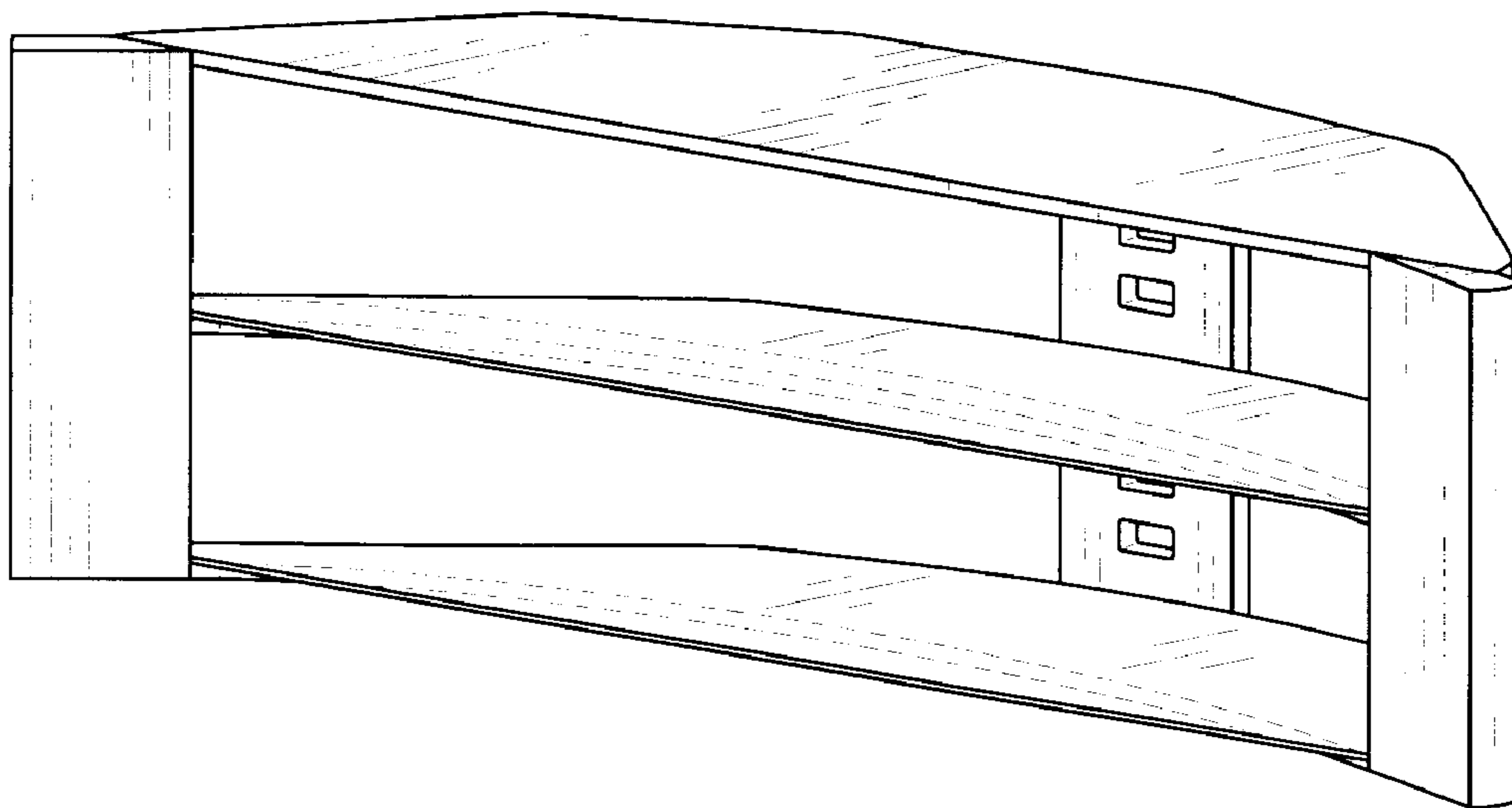


FIG. 1

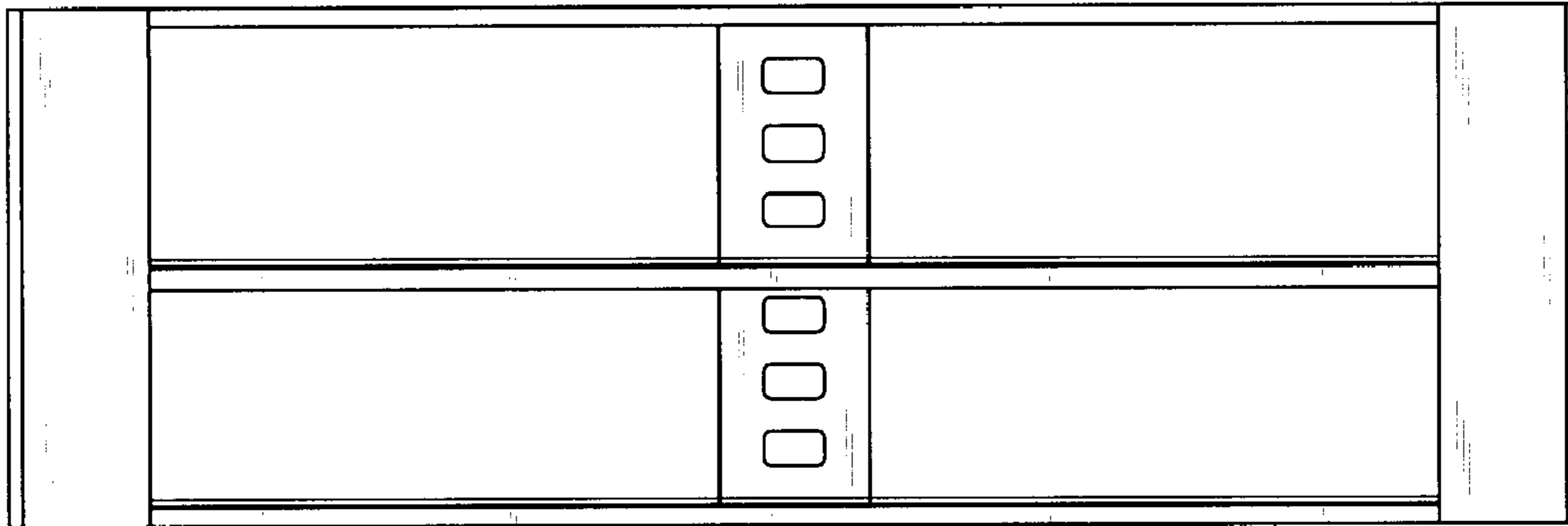


FIG. 2

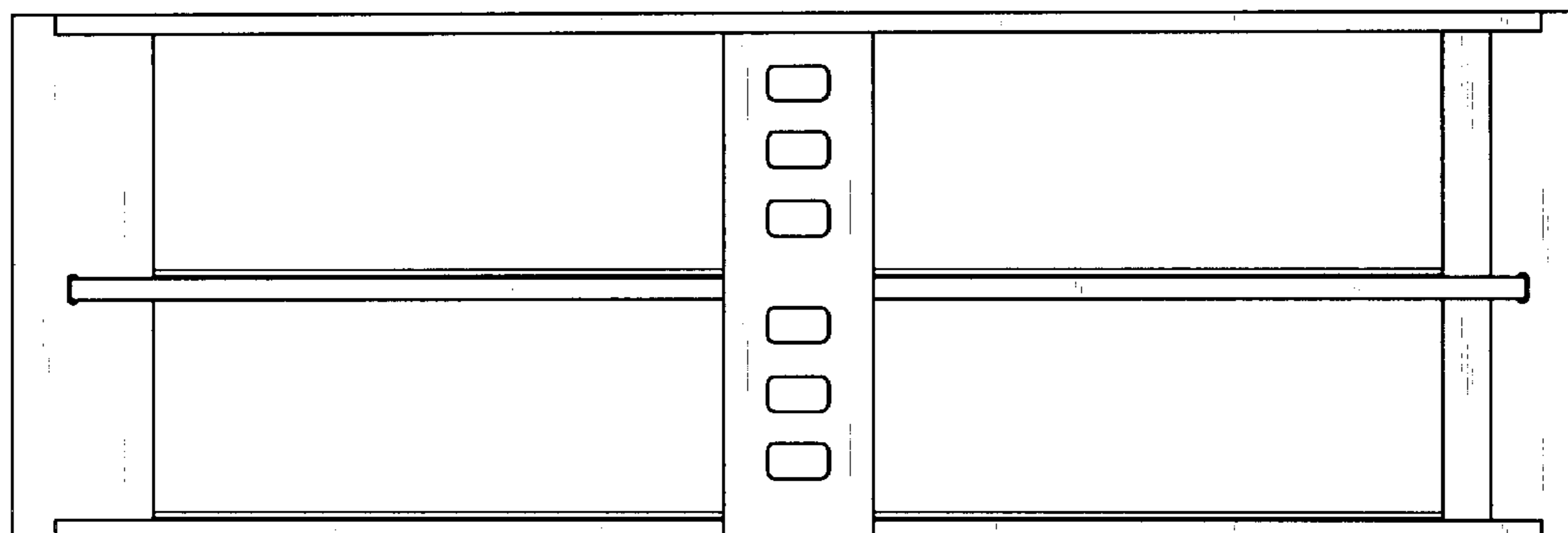


FIG. 3

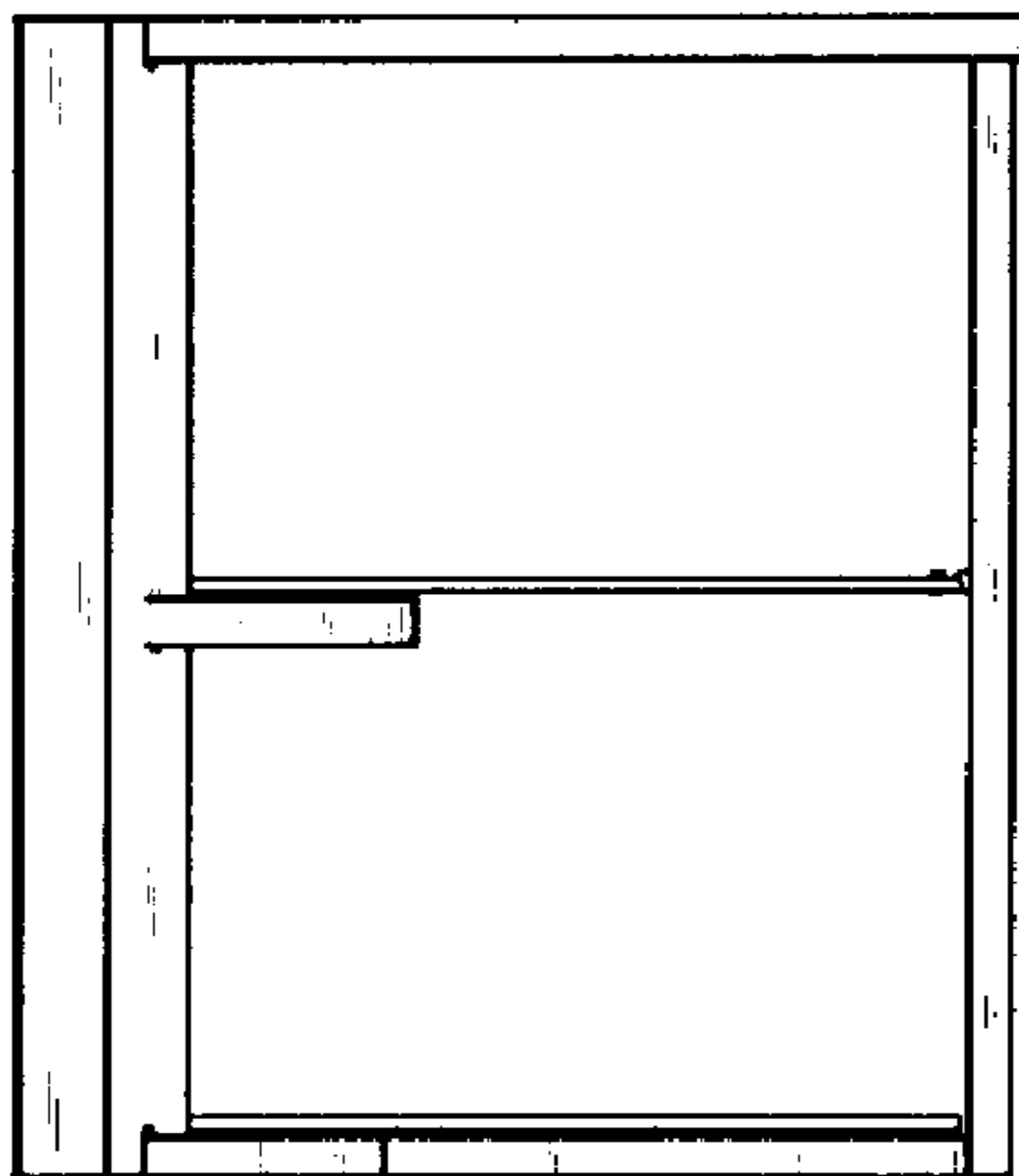


FIG. 4

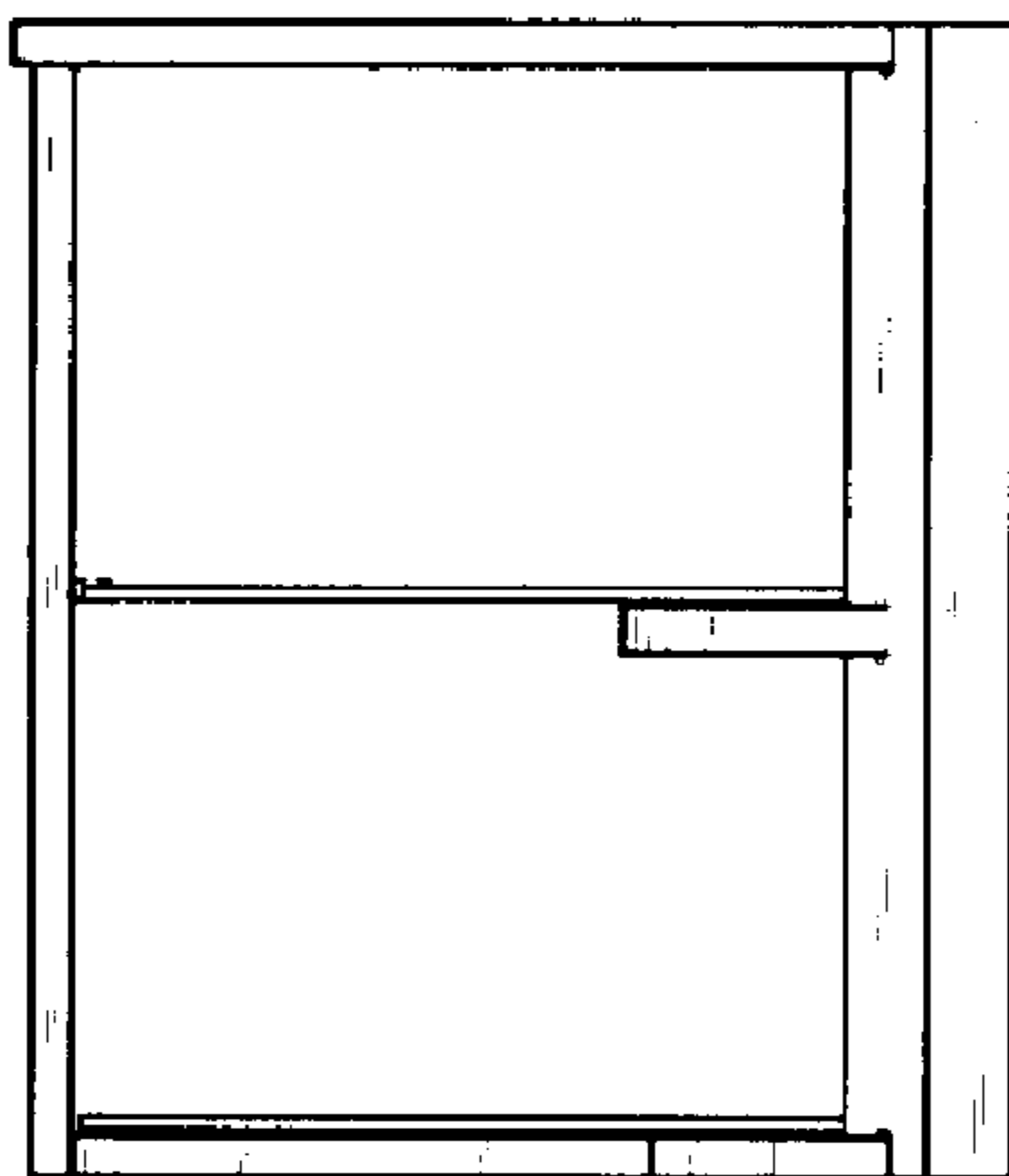


FIG. 5

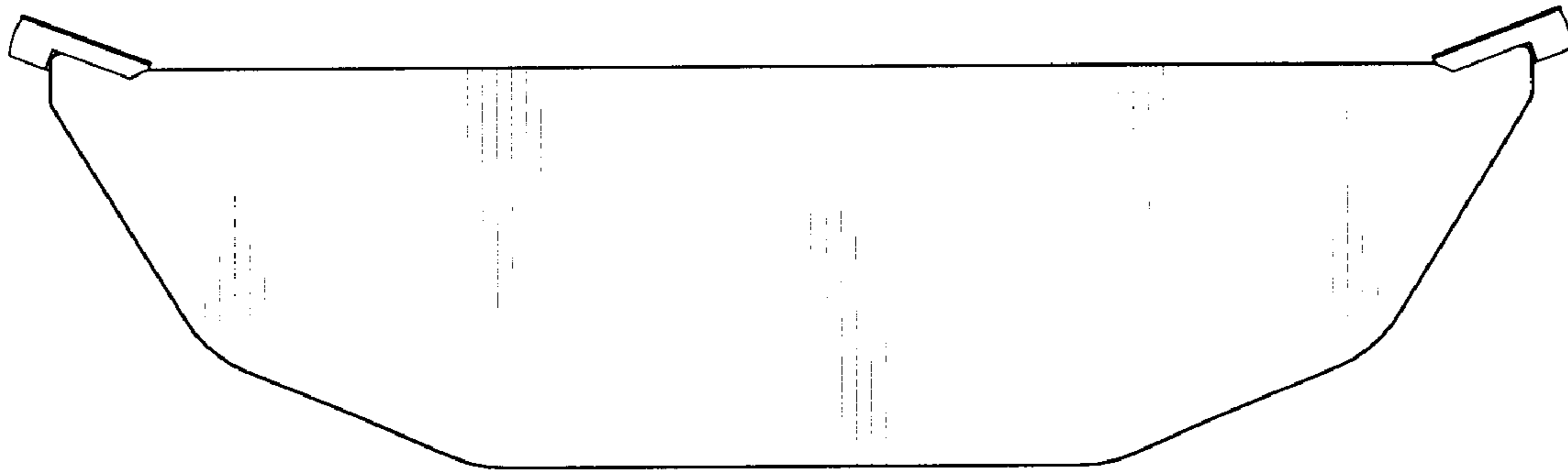


FIG. 6

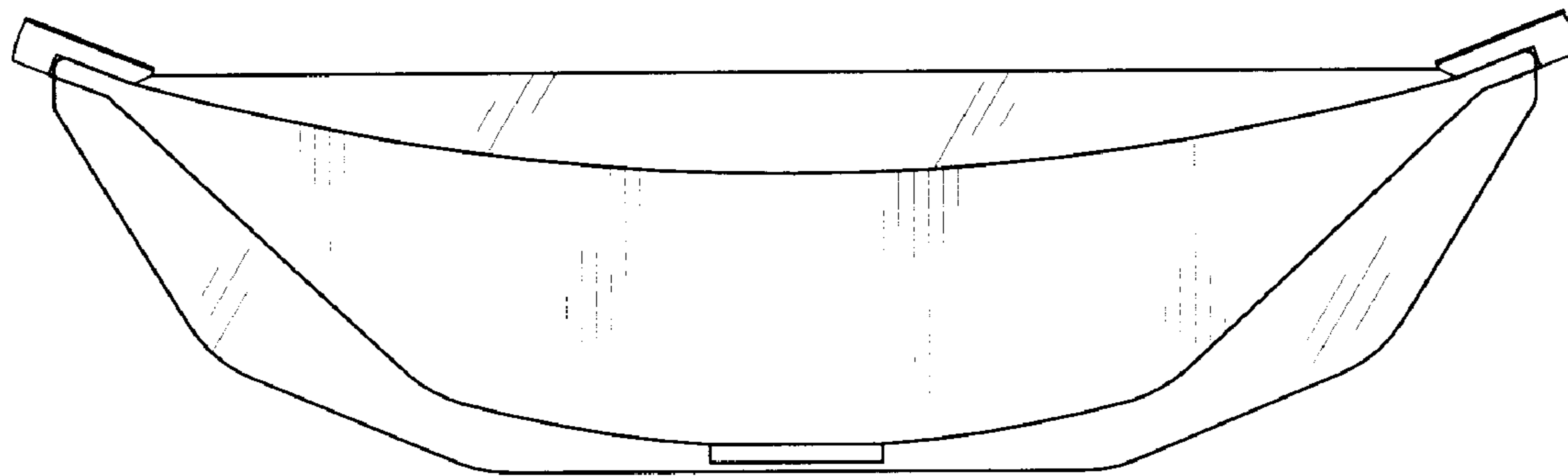


FIG. 7