



US00D529316S

(12) **United States Design Patent**
Fujiki

(10) **Patent No.:** **US D529,316 S**

(45) **Date of Patent:** **** Oct. 3, 2006**

(54) **STAND FOR TELEVISION RECEIVER**

(75) Inventor: **Gen Fujiki**, Tokyo (JP)

(73) Assignee: **Sony Corporation**, Tokyo (JP)

(**) Term: **14 Years**

(21) Appl. No.: **29/252,456**

(22) Filed: **Jan. 24, 2006**

(51) **LOC (8) Cl.** **06-04**

(52) **U.S. Cl.** **D6/478; D6/466**

(58) **Field of Classification Search** D6/436,
D6/449, 466, 473-479; 312/204, 238, 107
See application file for complete search history.

(56) **References Cited**

U.S. PATENT DOCUMENTS

2,506,844	A	*	5/1950	Smith	312/107
D175,914	S	*	10/1955	Schild	D6/397
D298,707	S	*	11/1988	Knight	D6/466
D307,033	S	*	4/1990	Kirchner	D18/59
D315,461	S	*	3/1991	Hilton	D6/474
D326,199	S	*	5/1992	Heiligenthal et al.	D6/477

D370,366	S	*	6/1996	Watts	D6/449
D420,834	S	*	2/2000	Anderson	D6/449
D478,435	S	*	8/2003	Brownfield	D6/449
D484,332	S		12/2003	Niitsu		

* cited by examiner

Primary Examiner—Cathron C. Brooks

(74) *Attorney, Agent, or Firm*—Rader, Fishman & Grauer PLLC

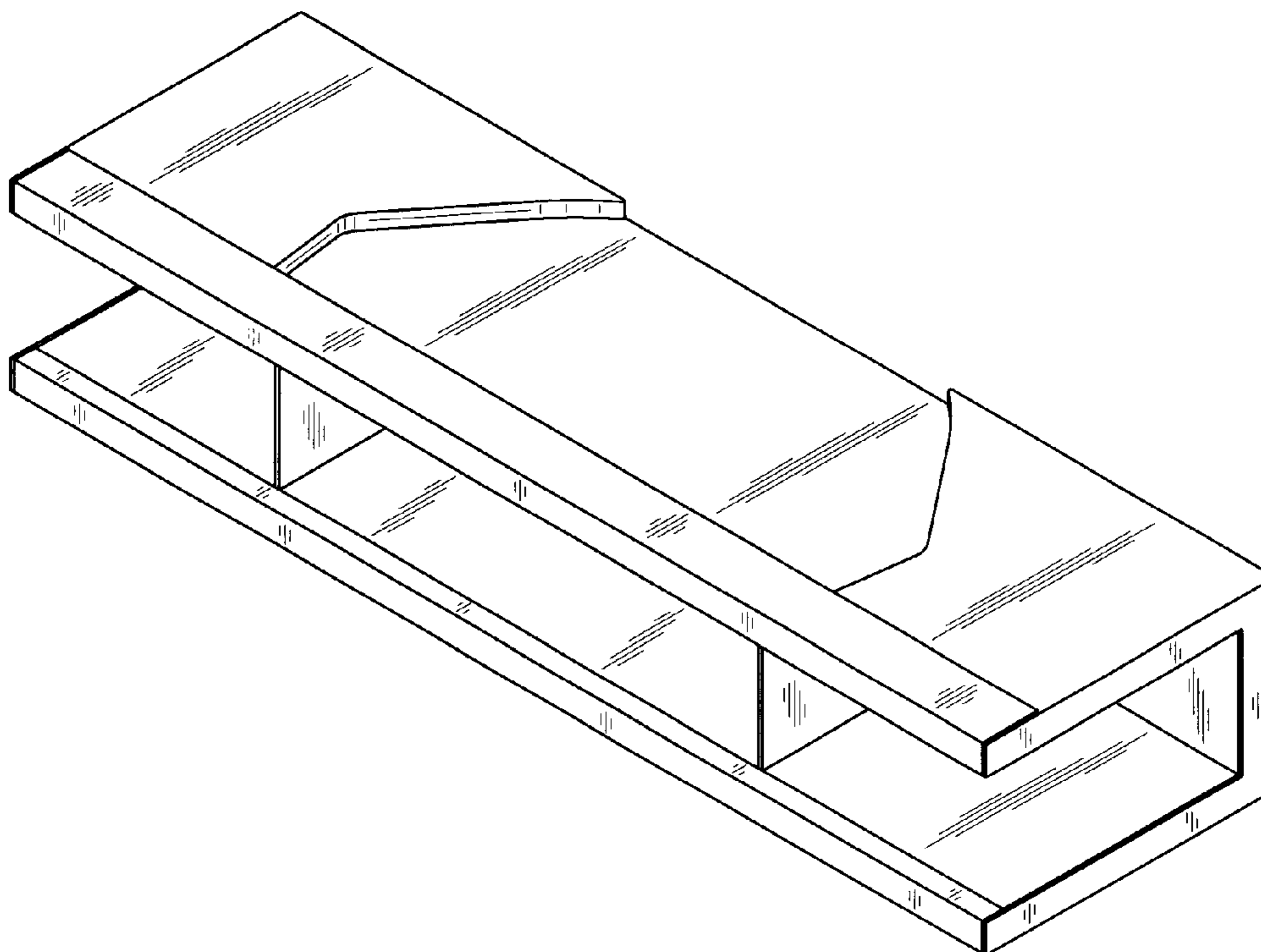
(57) **CLAIM**

The ornamental design for a stand for television receiver, as shown.

DESCRIPTION

FIG. 1 is a perspective view of a stand for television receiver showing my new design;
FIG. 2 is a front elevational view thereof;
FIG. 3 is a rear elevational view thereof;
FIG. 4 is a left side elevational view thereof;
FIG. 5 is a right side elevational view thereof;
FIG. 6 is a top plan view thereof; and,
FIG. 7 is a bottom plan view thereof.

1 Claim, 7 Drawing Sheets



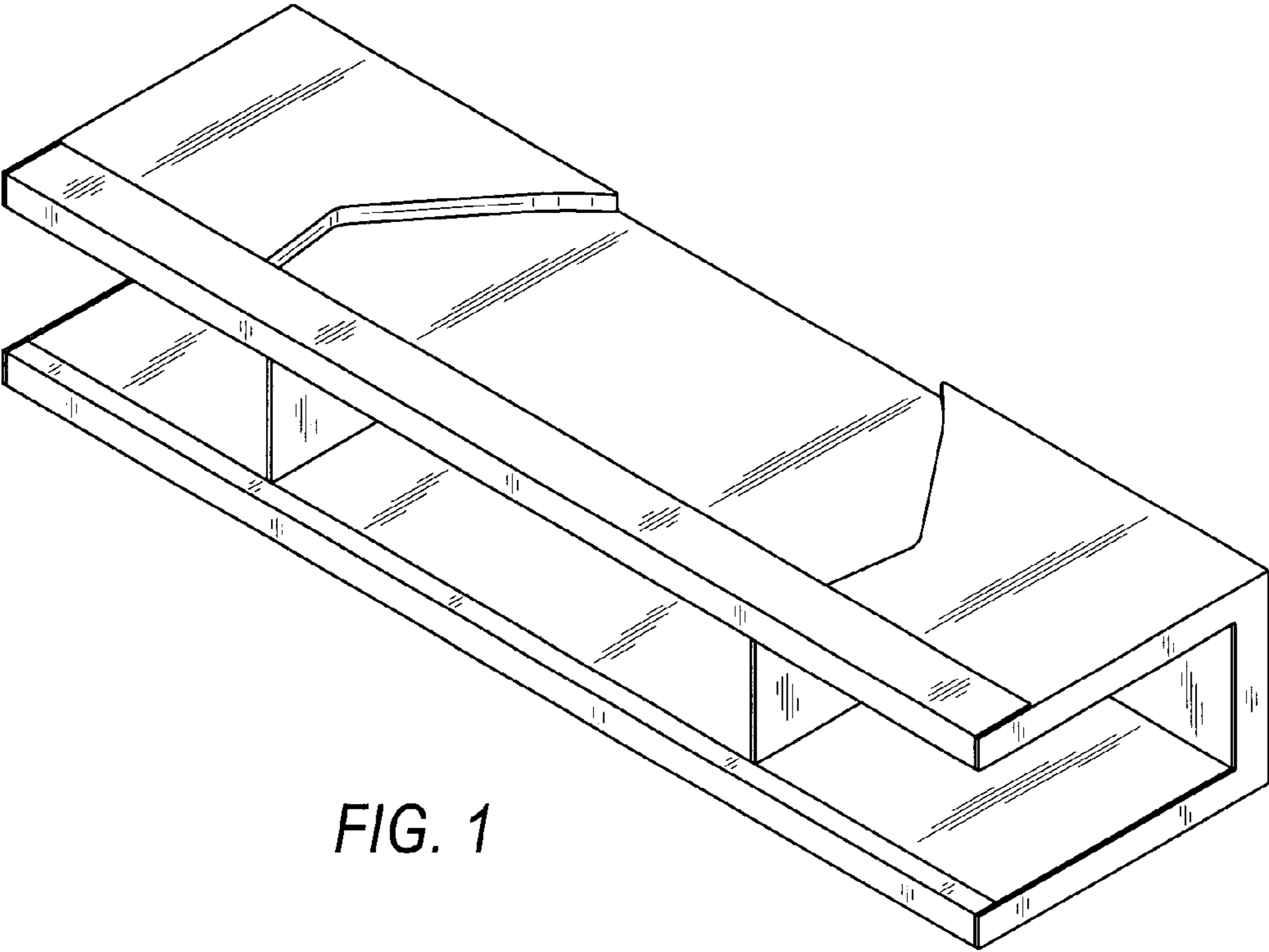


FIG. 1

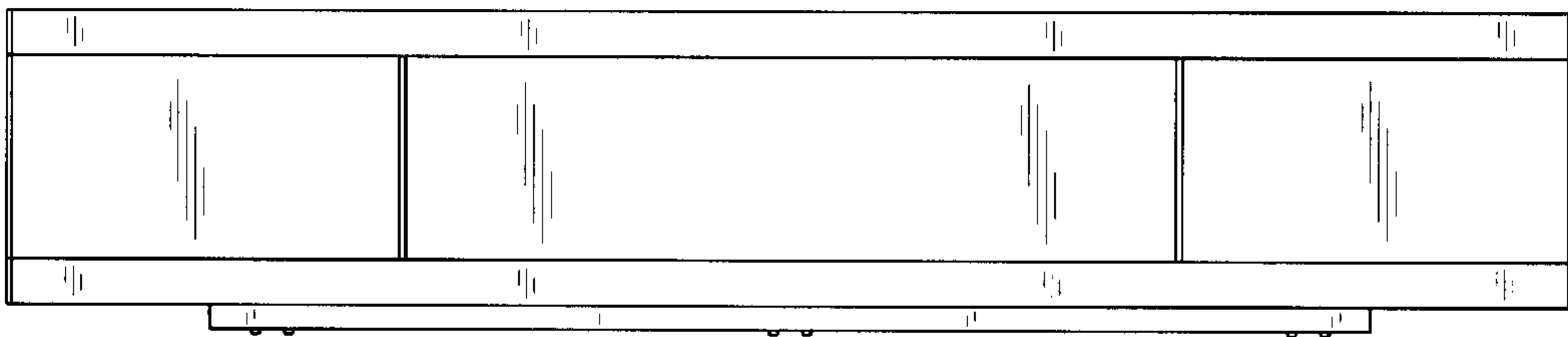


FIG. 2

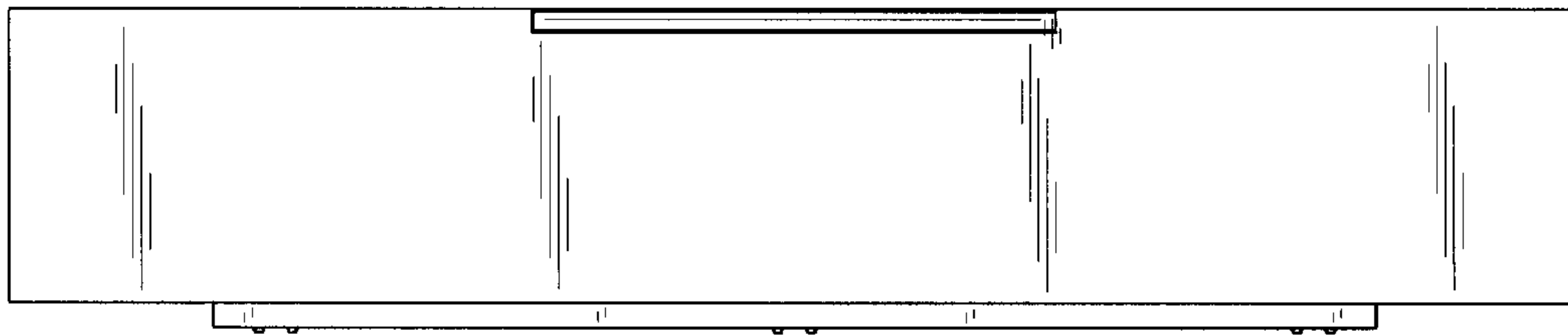


FIG. 3

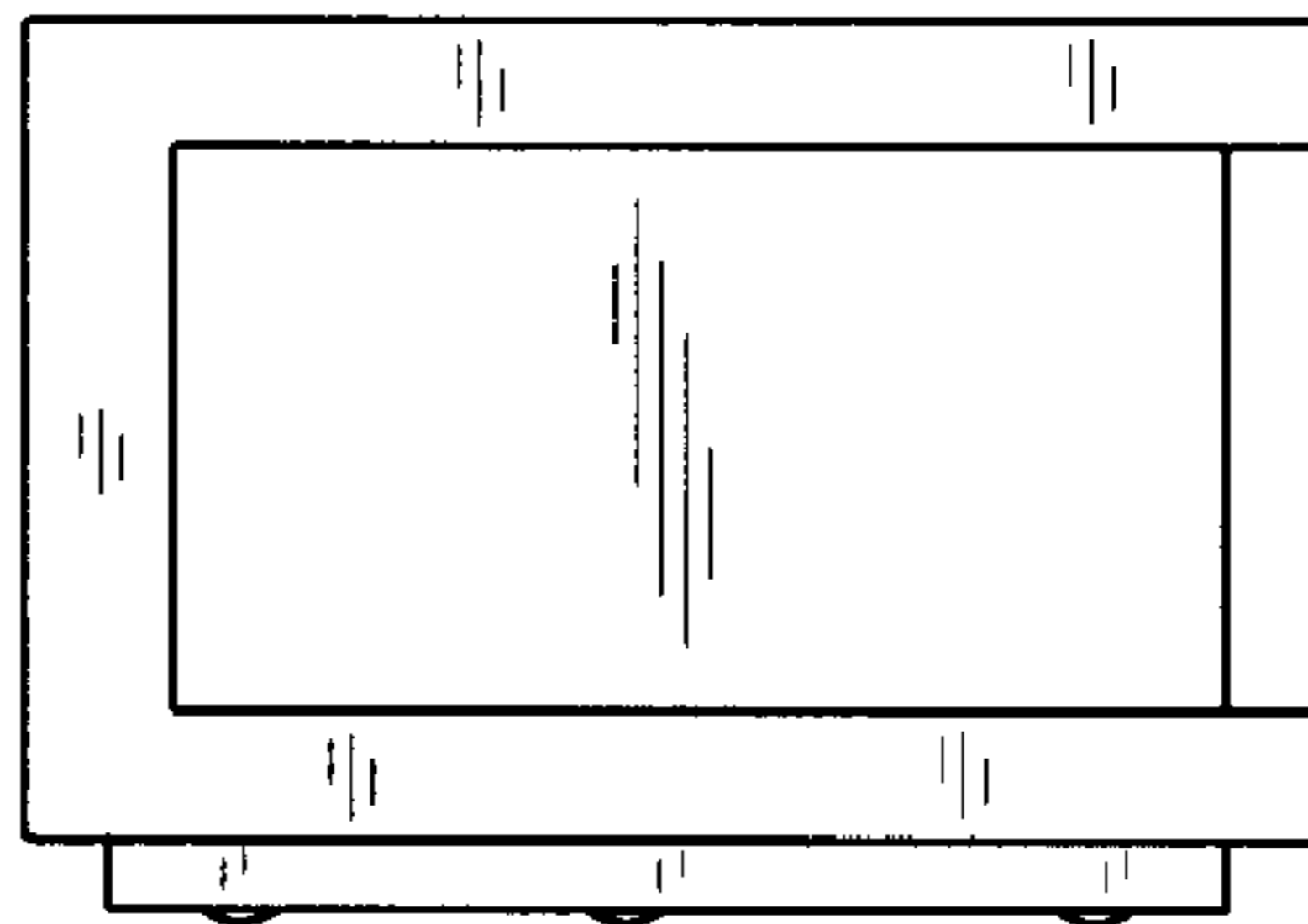


FIG. 4

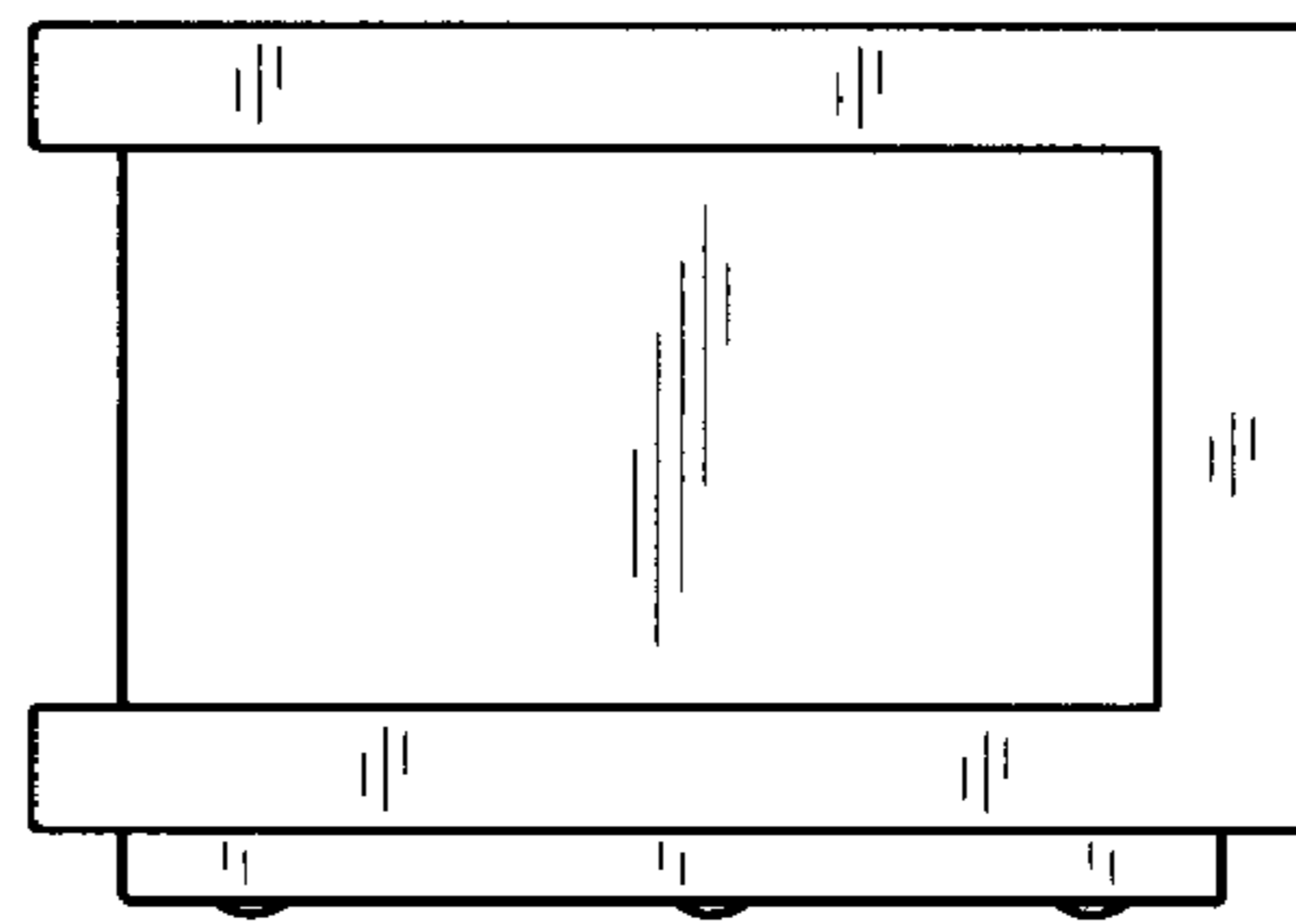


FIG. 5

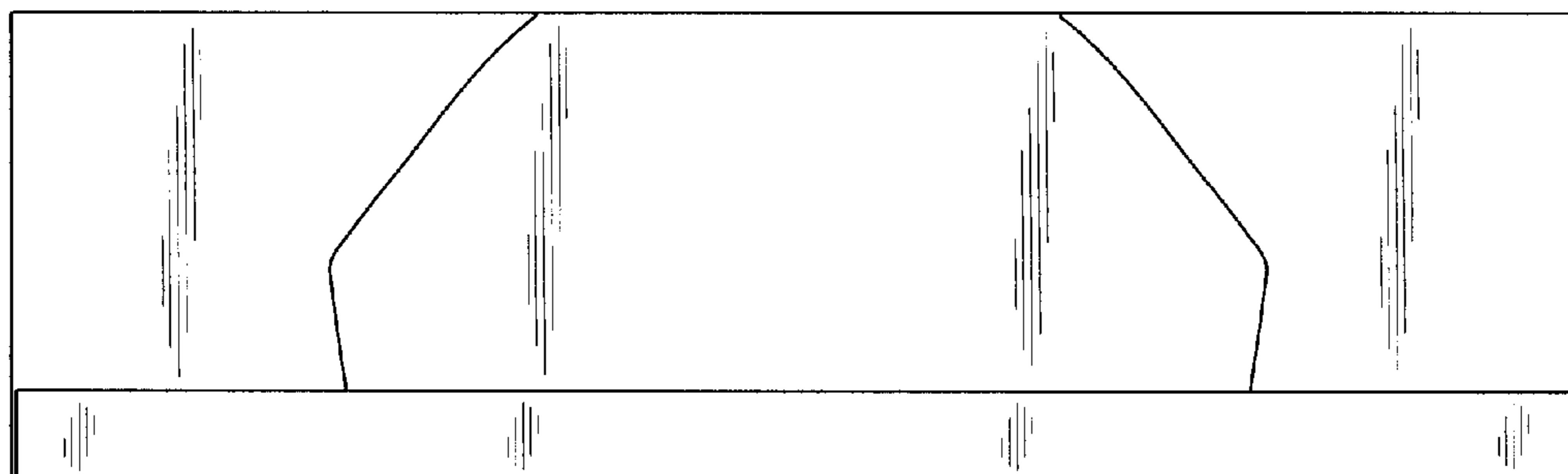


FIG. 6

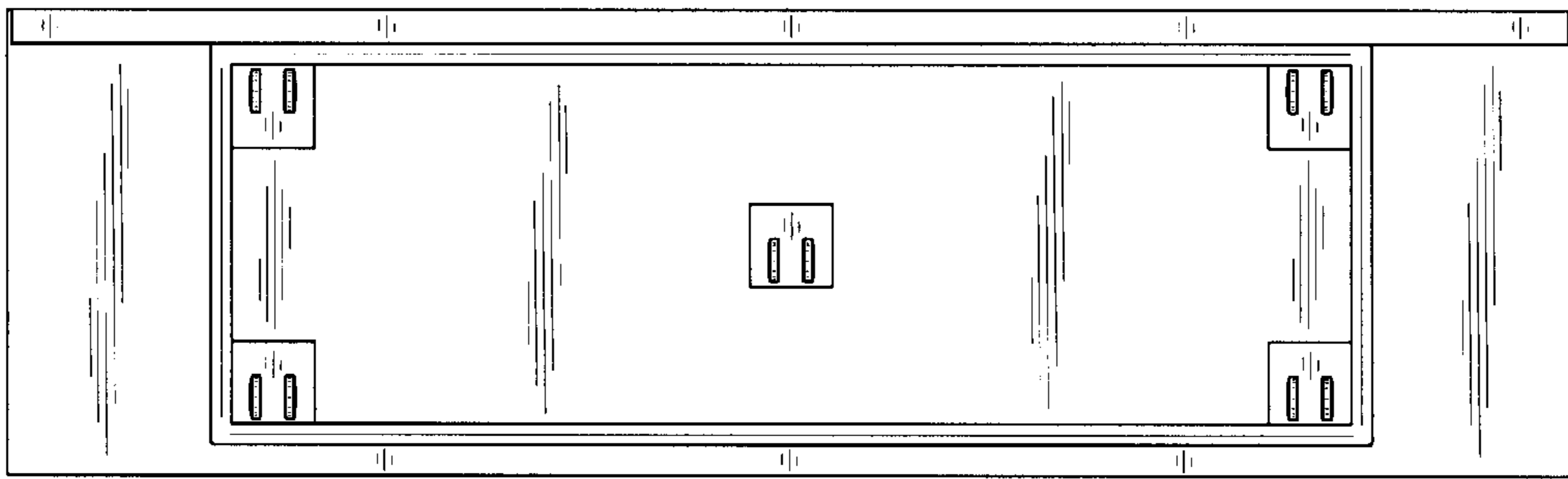


FIG. 7