



US00D529313S

(12) **United States Design Patent**
Nomoto

(10) **Patent No.:** **US D529,313 S**

(45) **Date of Patent:** **** Oct. 3, 2006**

(54) **GOODS DISPLAY STAND**

(75) Inventor: **Tatsuaki Nomoto**, Chuo-ku (JP)

(73) Assignee: **Kawajun Co., LTD**, Tokyo (JP)

(**) Term: **14 Years**

(21) Appl. No.: **29/254,776**

(22) Filed: **Mar. 1, 2006**

Related U.S. Application Data

(62) Division of application No. 29/205,811, filed on May 21, 2004.

(30) **Foreign Application Priority Data**

Nov. 27, 2003 (JP) 2003-035256
Nov. 27, 2003 (JP) 2003-035257

(51) **LOC (8) Cl.** **06-04**

(52) **U.S. Cl.** **D6/474**

(58) **Field of Classification Search** D6/407,
D6/629, 630, 460, 461, 468, 474, 477-479;
108/59, 91, 92, 96, 161; 211/40, 41.12, 42,
211/49.1, 50, 71.01, 87.01, 90.04, 119.003,
211/134, 153, 190; 312/9.1, 9.2, 9.64, 9.8,
312/7.2; 206/307, 308.1

See application file for complete search history.

(56) **References Cited**

U.S. PATENT DOCUMENTS

3,948,191 A * 4/1976 Hatherley 108/92
D242,890 S * 1/1977 Hillman et al. D6/473
D256,199 S * 8/1980 Burke et al. D6/474

D278,671 S * 5/1985 Sandy D6/474
D296,630 S * 7/1988 Renold et al. D6/468
D325,849 S * 5/1992 Melcher D6/468
5,485,928 A * 1/1996 Felton 211/52
D399,366 S * 10/1998 Stravitz D6/407
D404,220 S * 1/1999 Stravitz D6/407
D407,994 S * 4/1999 Adinolfi et al. D6/474
D411,070 S * 6/1999 Jongwatana D6/630
6,082,553 A * 7/2000 Stravitz 211/40

* cited by examiner

Primary Examiner—Cathron C. Brooks

(74) *Attorney, Agent, or Firm*—Oblon, Spivak, McClelland, Maier & Neustadt, P.C.

(57) **CLAIM**

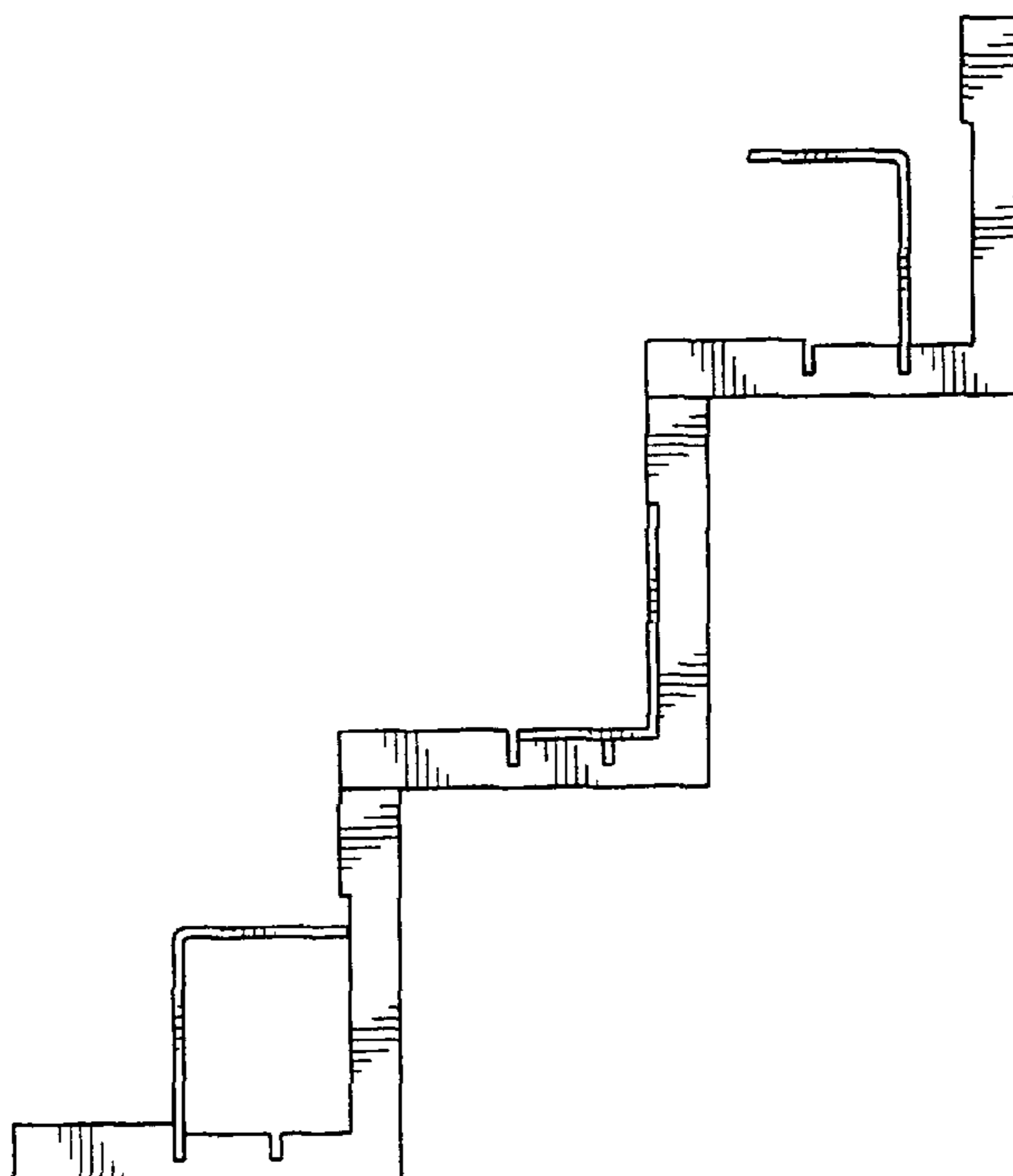
The ornamental design for a goods display stand, as shown and described.

DESCRIPTION

FIG. 1 is a top, front and right side perspective view of the goods display stand, showing my design;
FIG. 2 is a front elevational view thereof;
FIG. 3 is a rear elevational view thereof;
FIG. 4 is a right side elevational view thereof, the left side elevational view being a mirror image of the side view shown;
FIG. 5 is a top plan view thereof;
FIG. 6 is a bottom plan view thereof; and,
FIG. 7 is a top, front and right side elevational view thereof shown when in use.

The broken line showing of articles on the goods display stand shown in FIG. 7 is for illustrative purposes only and forms no part of the claimed design.

1 Claim, 4 Drawing Sheets



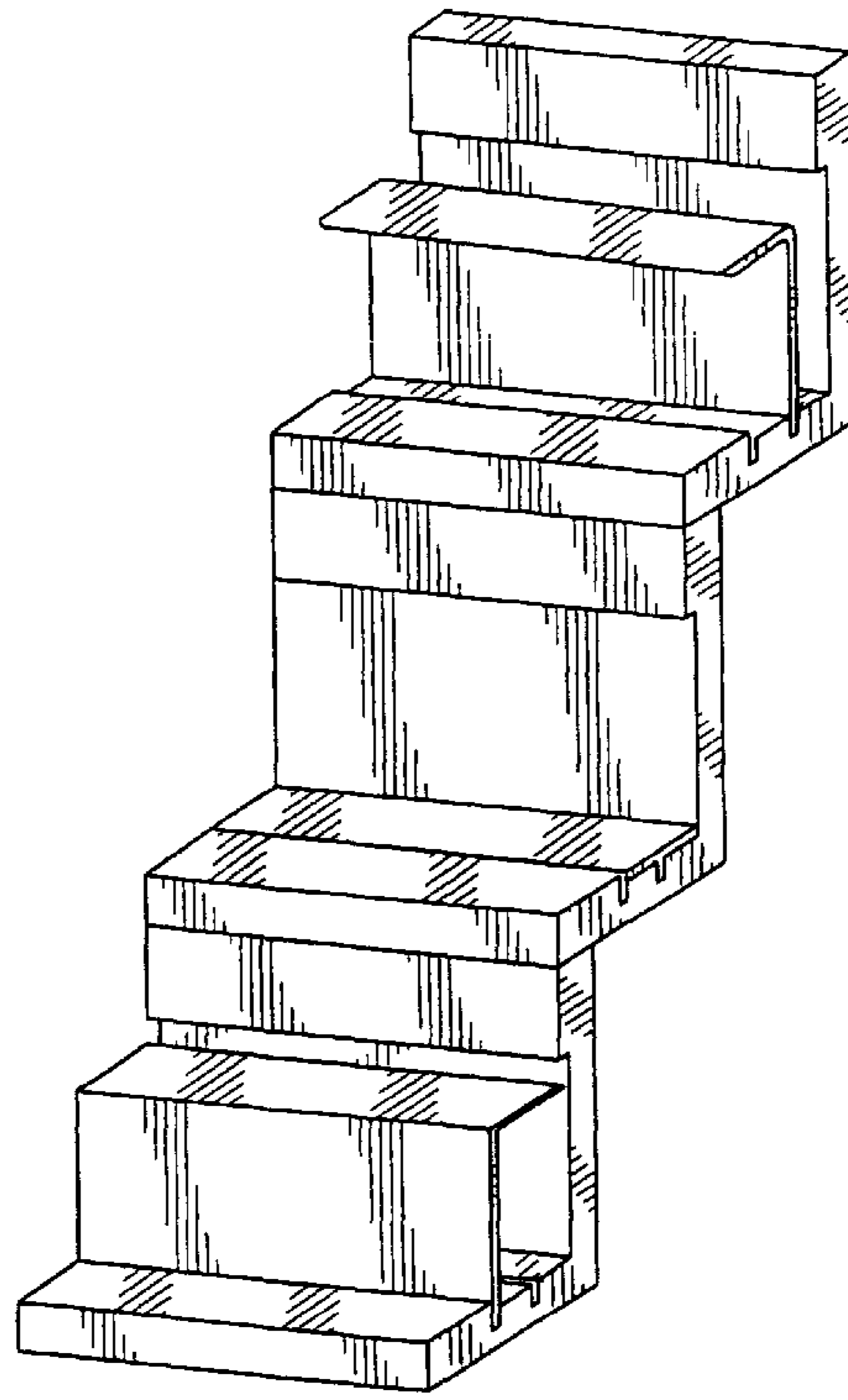


Fig. 1

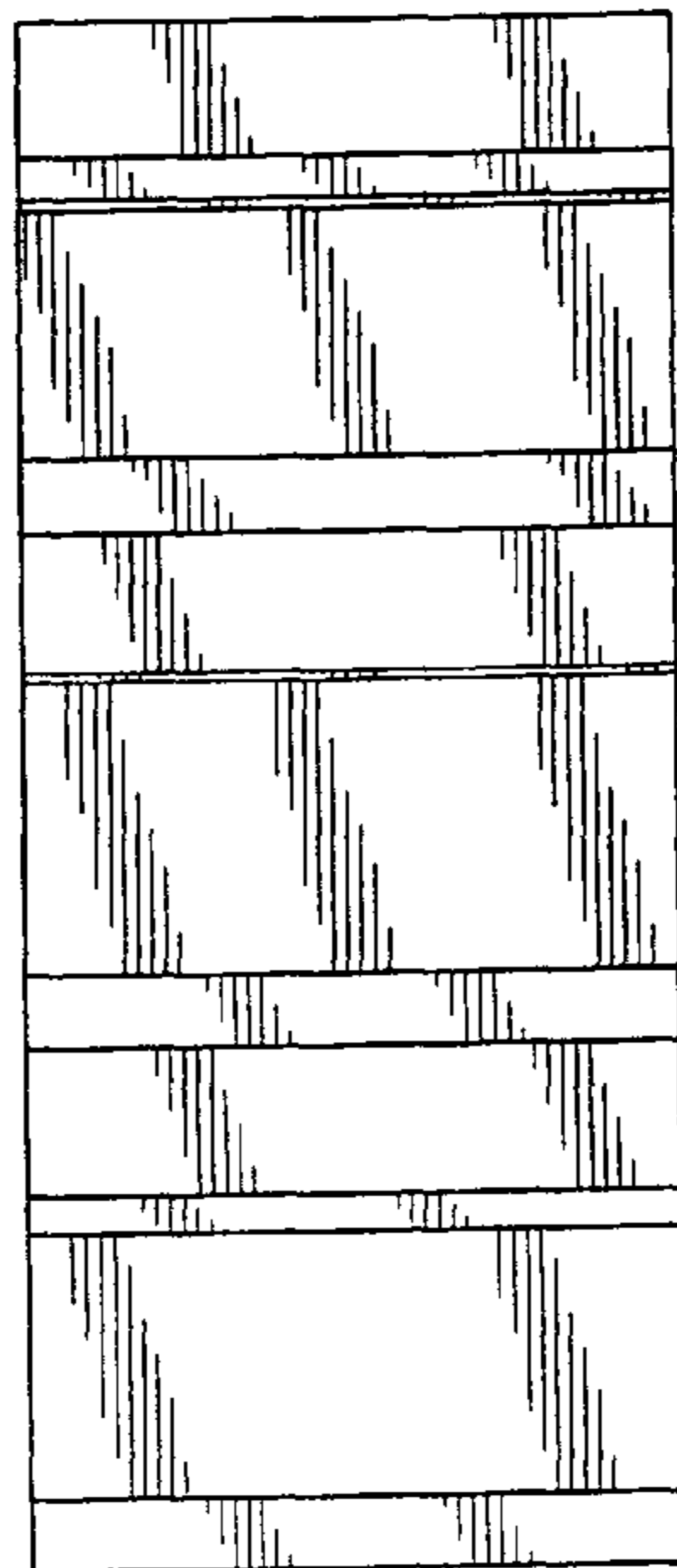


Fig. 2

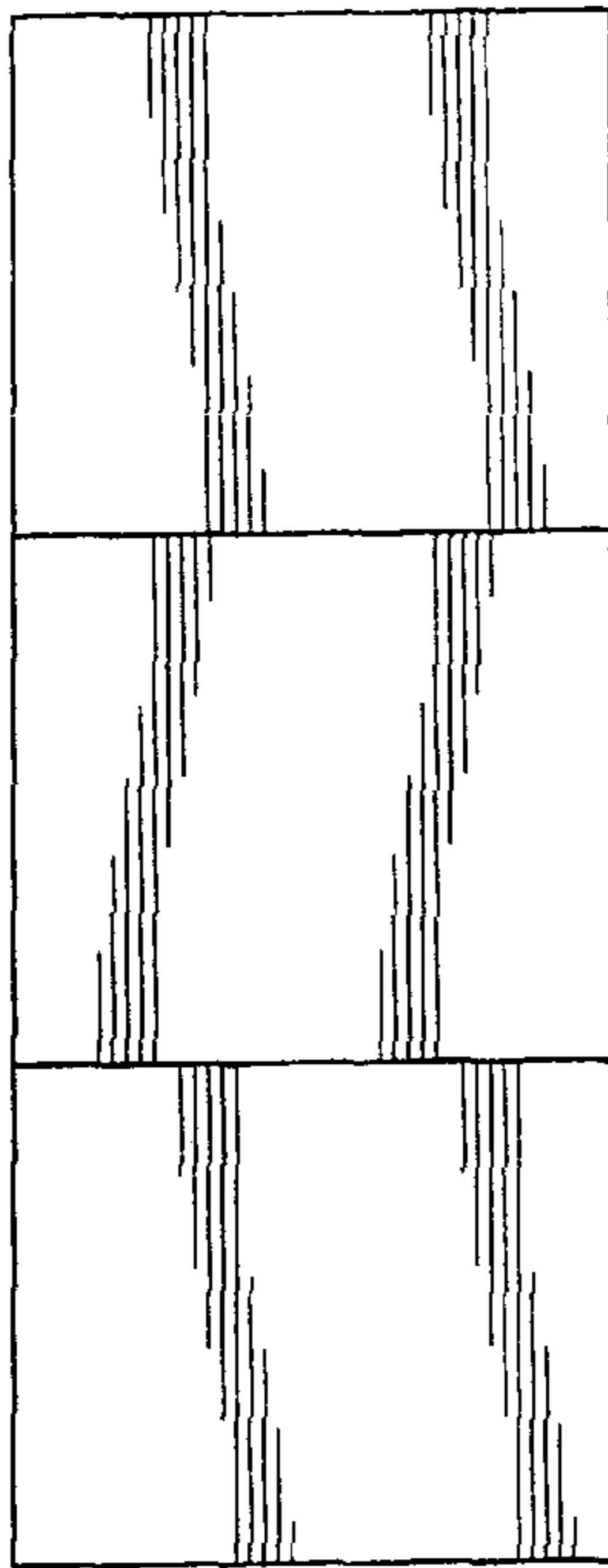


Fig. 3

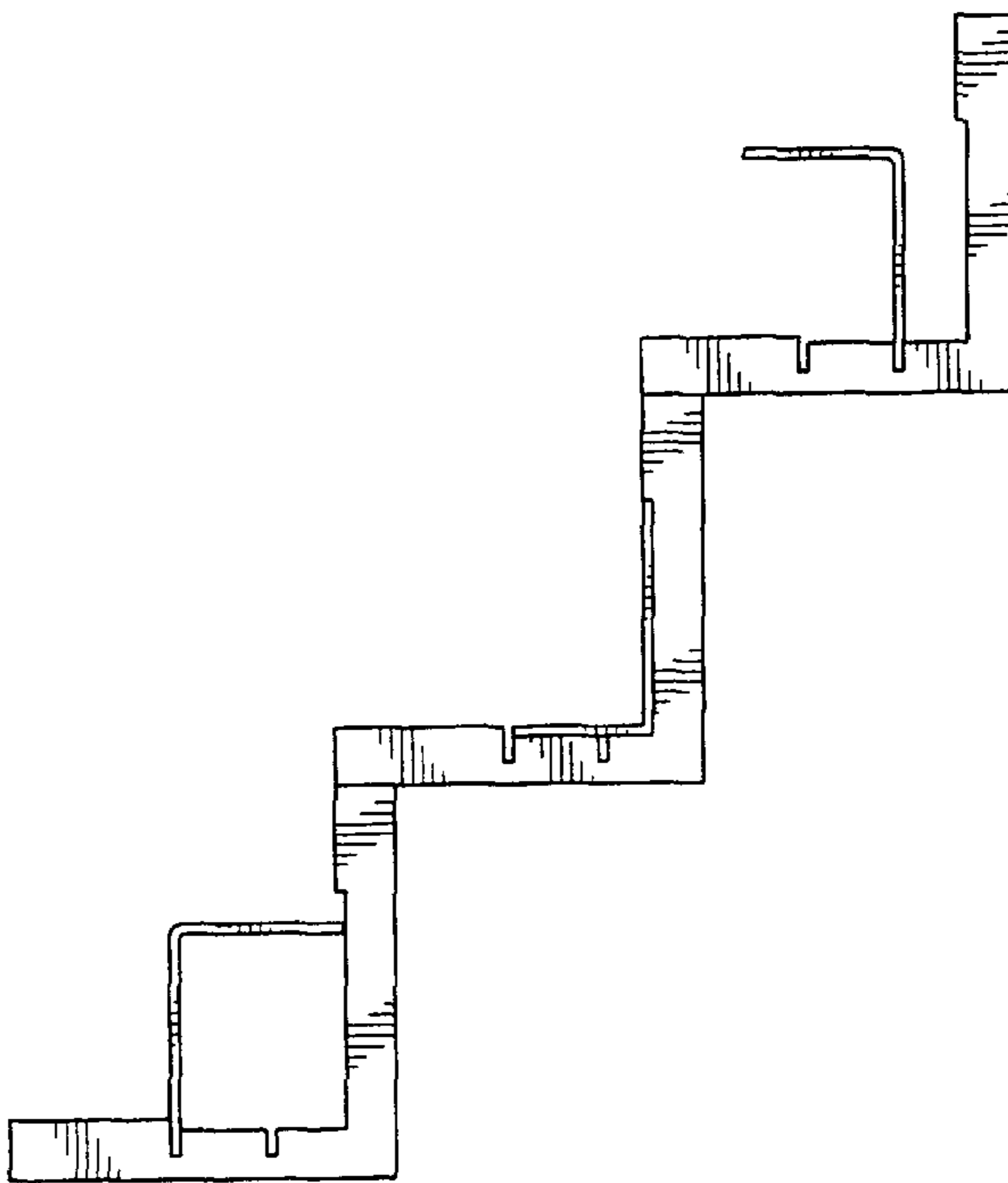


Fig. 4

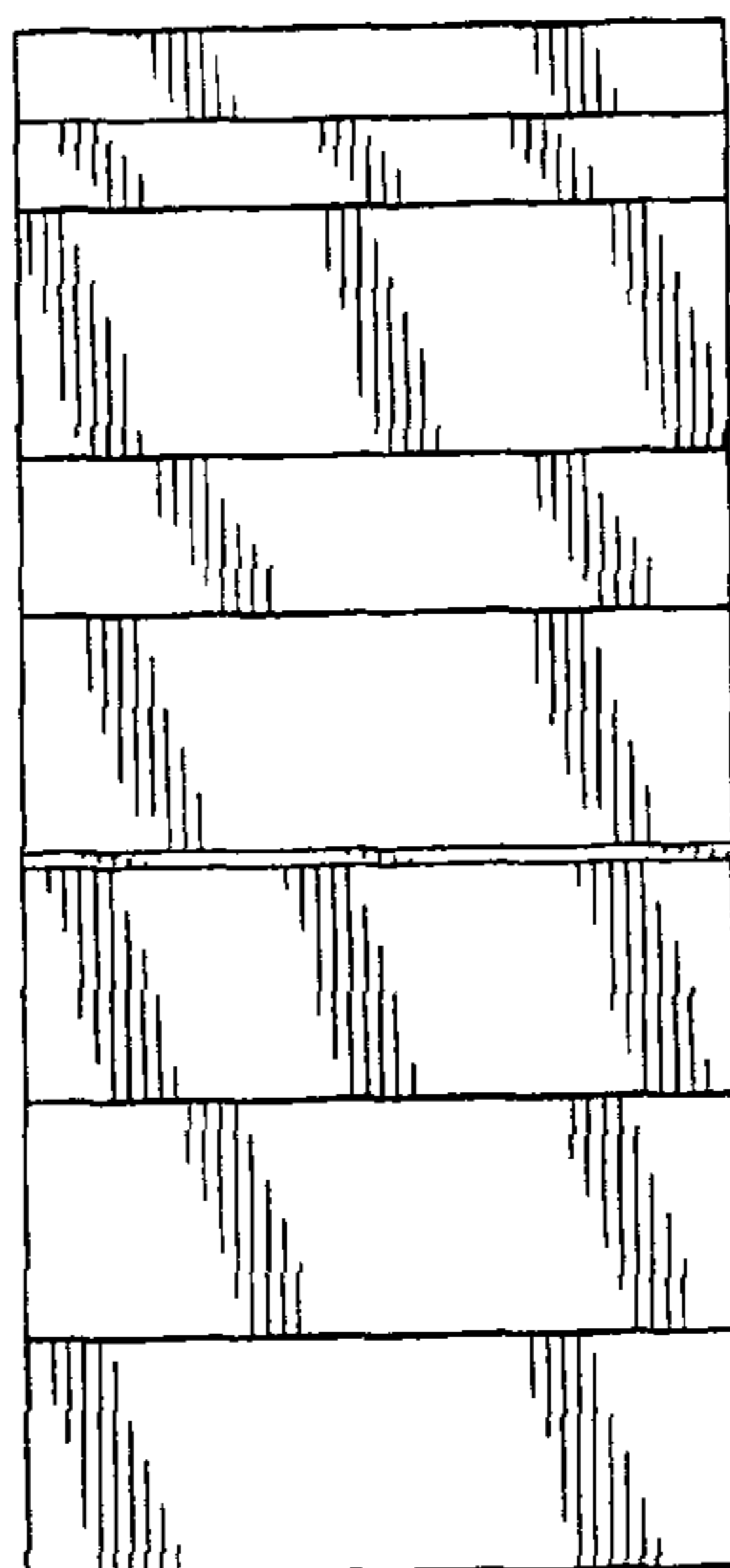


Fig. 5

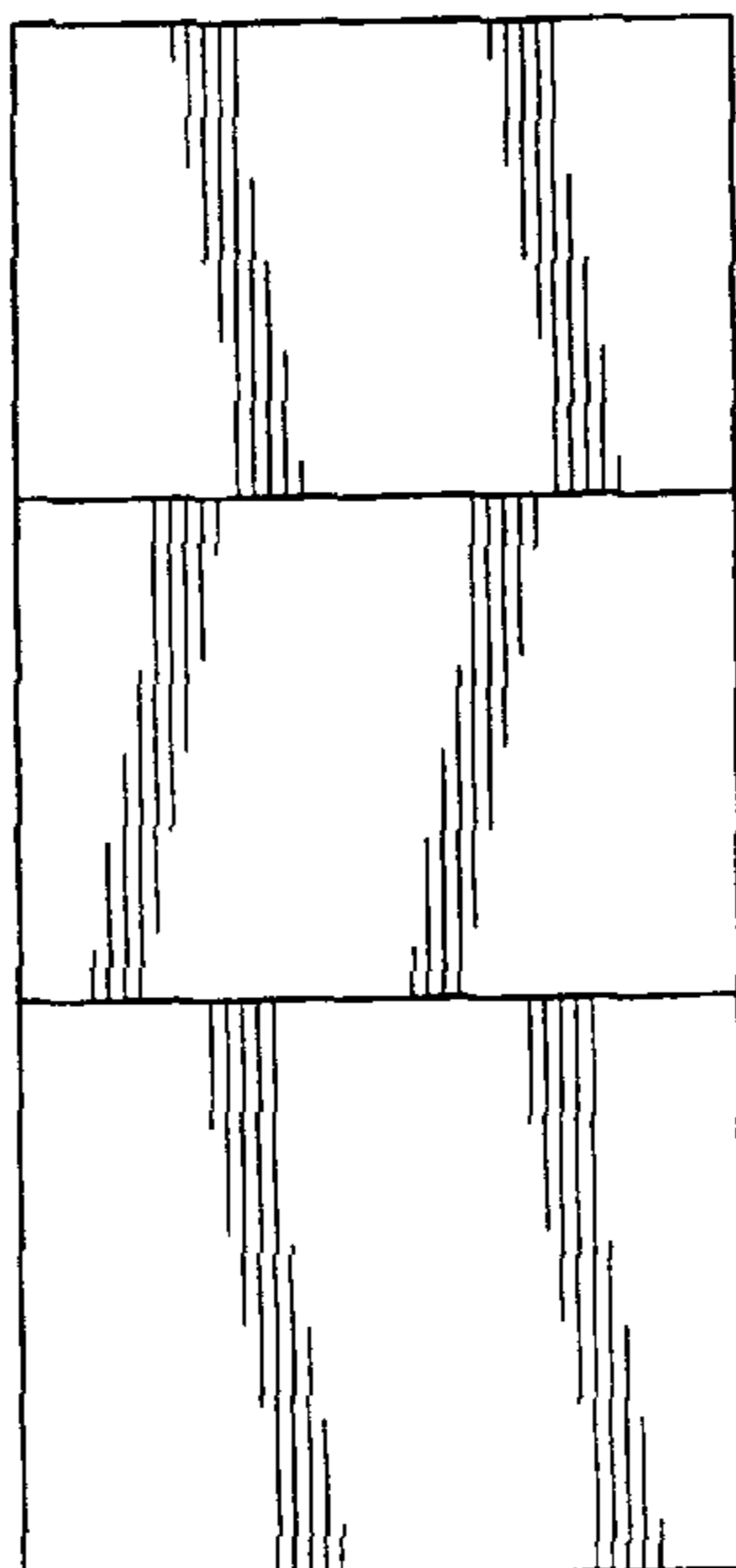


Fig. 6

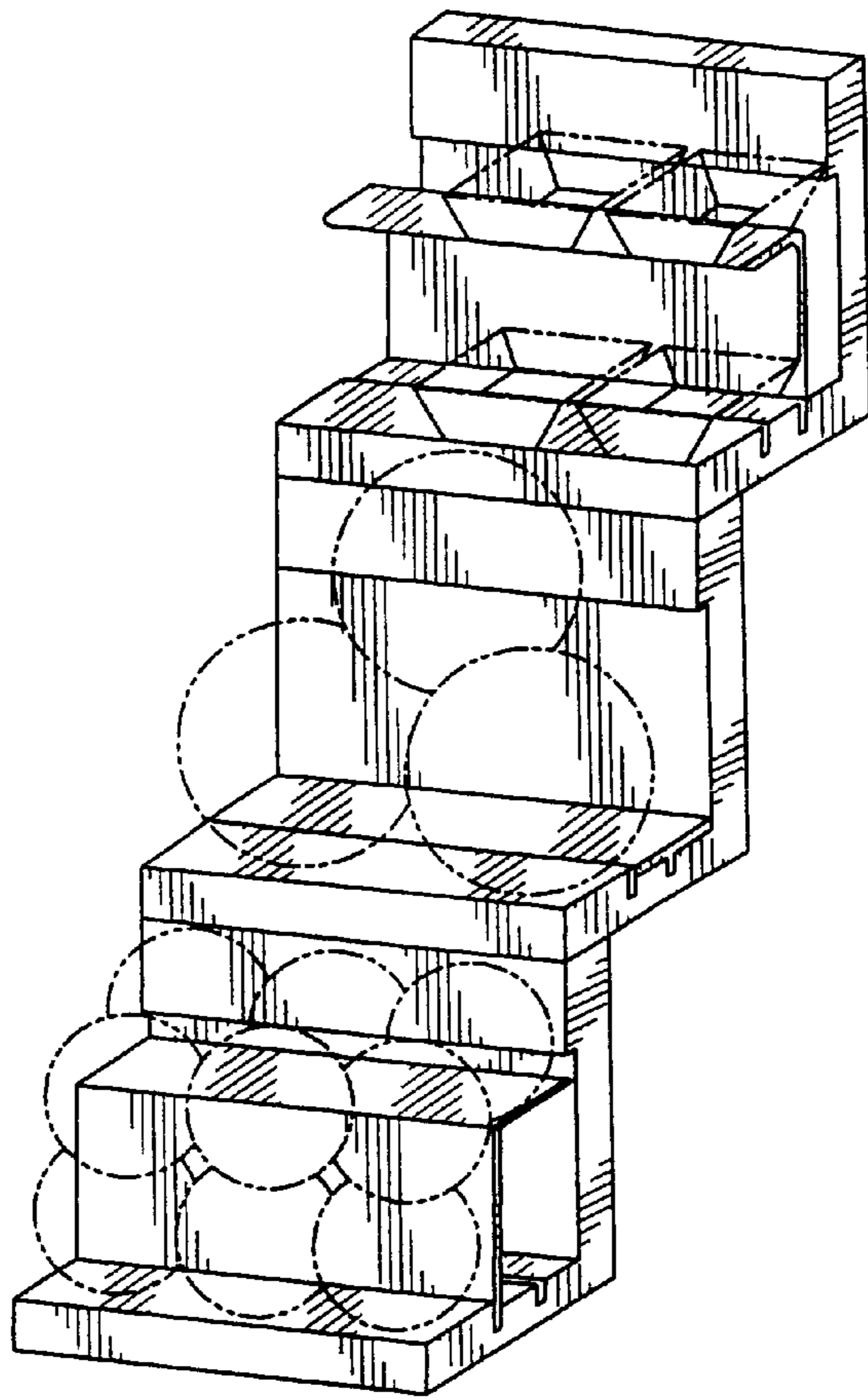


Fig. 7