



US00D529309S

(12) **United States Design Patent**
Juneau et al.

(10) **Patent No.:** **US D529,309 S**

(45) **Date of Patent:** **** Oct. 3, 2006**

(54) **FURNITURE**

(75) Inventors: **Alain Juneau**, St-Jean-Chrysostome
(CA); **Martin DeBlois**, Manhattan
Beach, CA (US)

(73) Assignee: **Baronet, Inc.** (CA)

(**) Term: **14 Years**

(21) Appl. No.: **29/224,600**

(22) Filed: **Mar. 3, 2005**

(51) **LOC (8) Cl.** **06-04**

(52) **U.S. Cl.** **D6/436**

(58) **Field of Classification Search** D6/436,
D6/460, 461, 468, 474, 477-479; D34/14,
D34/17, 19; 312/194, 198, 204

See application file for complete search history.

(56) **References Cited**

U.S. PATENT DOCUMENTS

D215,731 S	10/1969	Solie	
D259,316 S	* 5/1981	Offredi	D6/436
D271,733 S	* 12/1983	Daventry	D6/436
D322,184 S	* 12/1991	Prevedello et al.	D6/436
D333,578 S	3/1993	White	
D364,051 S	* 11/1995	Berry et al.	D6/436
D368,604 S	* 4/1996	Gotham et al.	D6/436

D406,705 S	*	3/1999	Zaidman et al.	D6/436
D440,071 S	*	4/2001	Hutton	D6/436
D462,008 S	*	8/2002	Stone et al.	D9/436
D480,893 S	*	10/2003	Berry et al.	D6/434
D499,274 S	*	12/2004	Juneau et al.	D6/436

OTHER PUBLICATIONS

Thomasville Connotations, 1983.

* cited by examiner

Primary Examiner—Cathron C. Brooks

(74) *Attorney, Agent, or Firm*—SAIDMAN DesignLaw Group

(57) **CLAIM**

The ornamental design for furniture, as shown and described.

DESCRIPTION

FIG. 1 is a perspective view of furniture showing our new design;

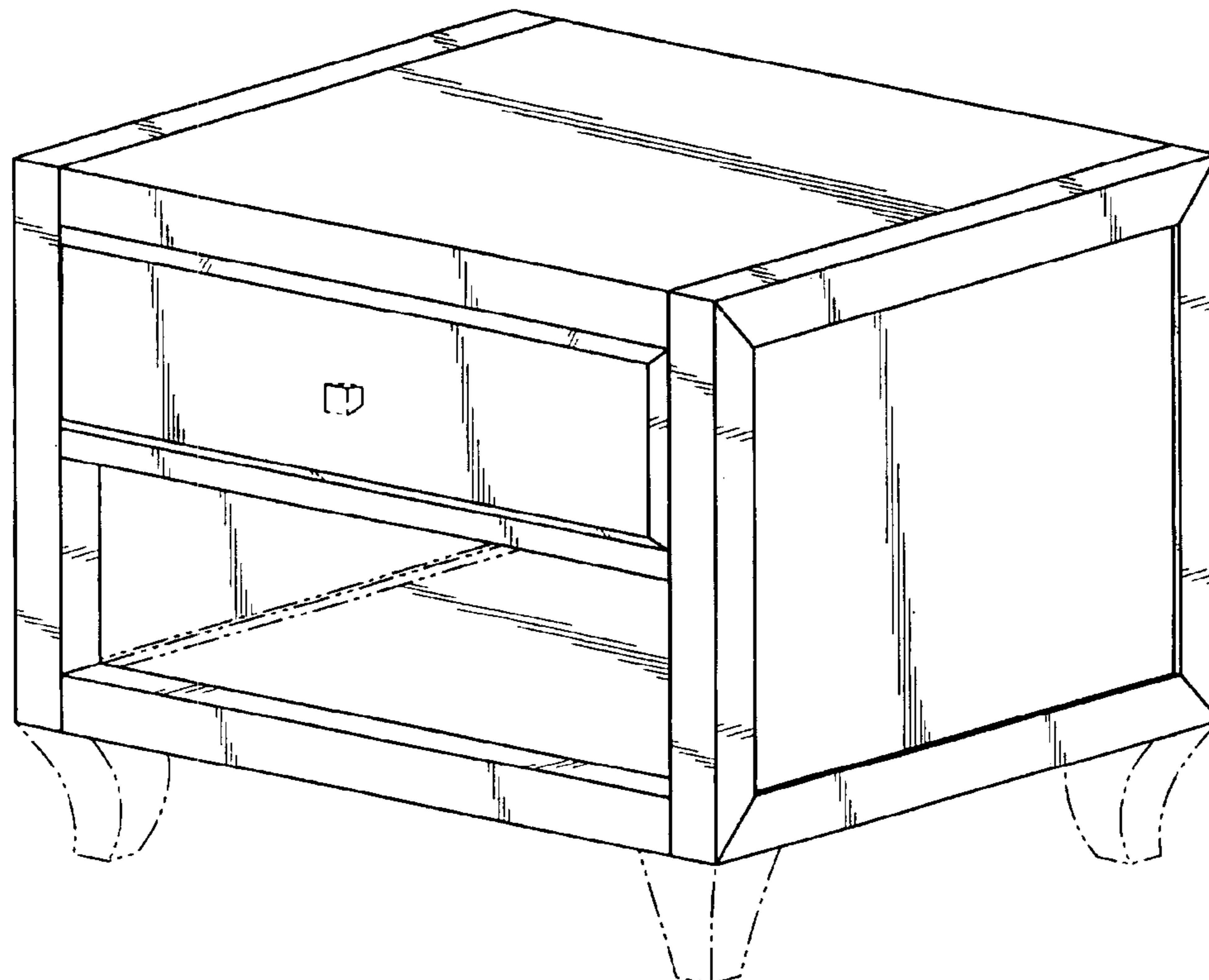
FIG. 2 is a front view thereof;

FIG. 3 is a left-side view thereof, the right-side view being a mirror-image thereof; and,

FIG. 4 is a top view thereof.

The broken line showing in the drawings is illustrative and forms no part of the claimed design.

1 Claim, 2 Drawing Sheets



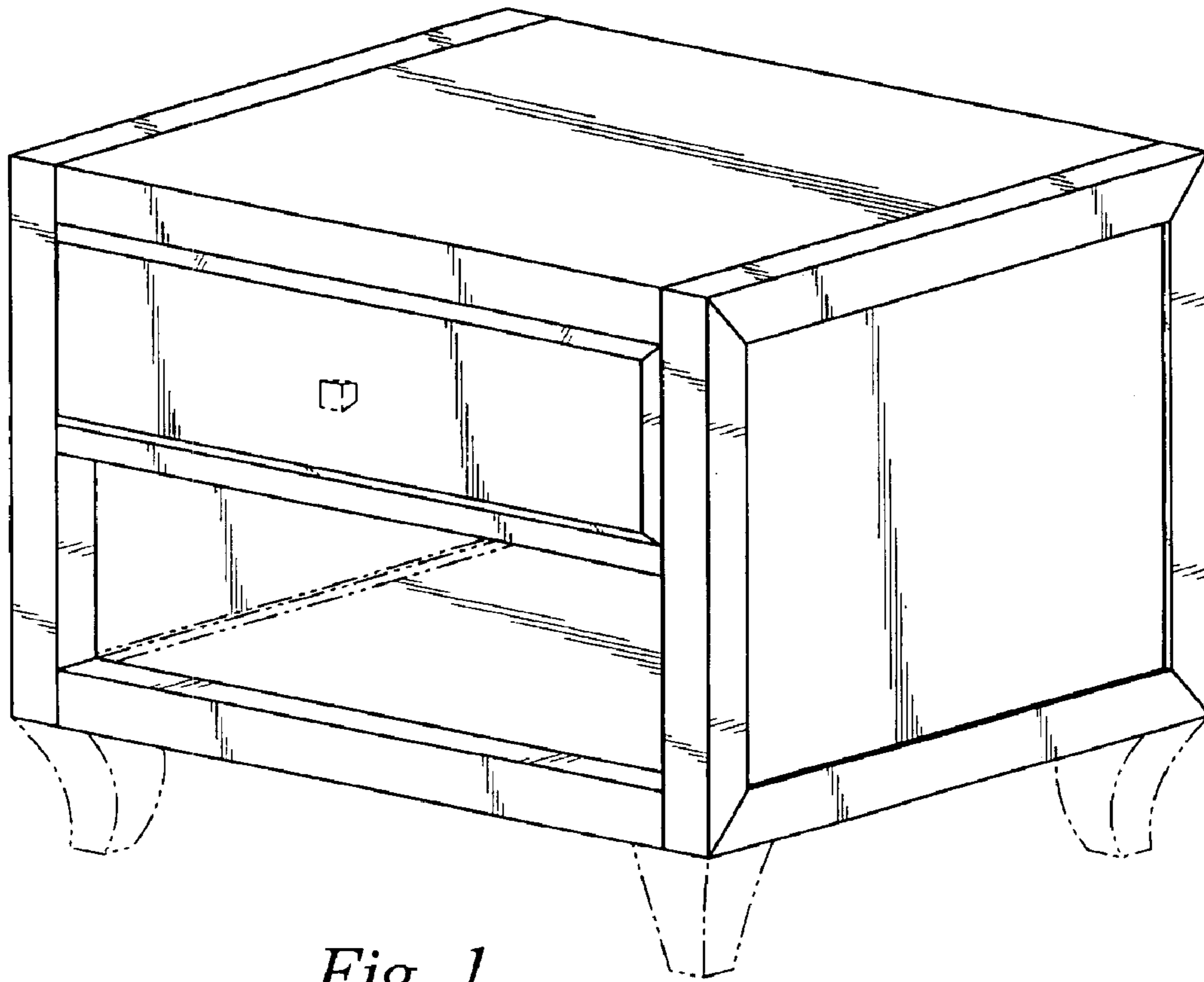


Fig. 1

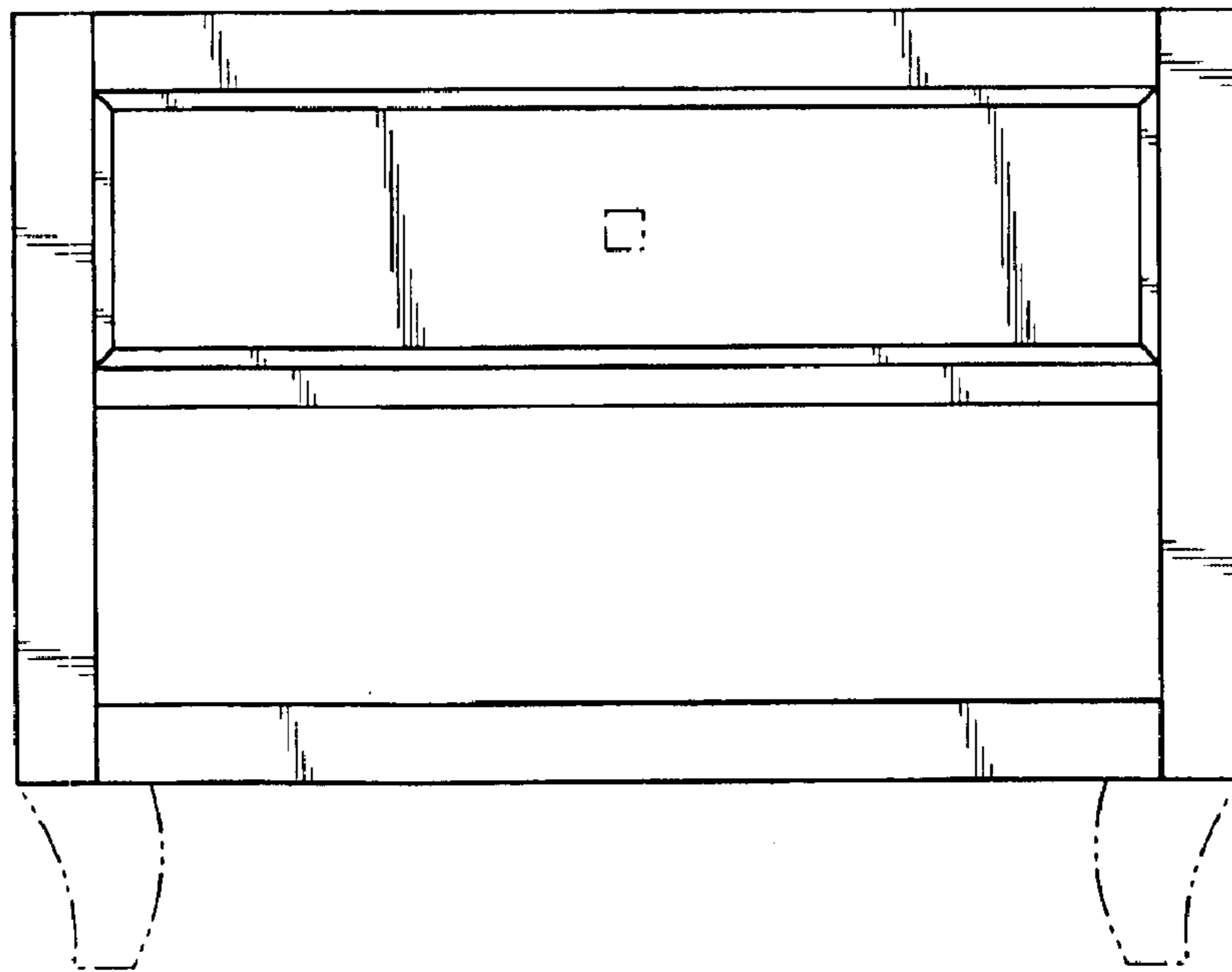


Fig. 2

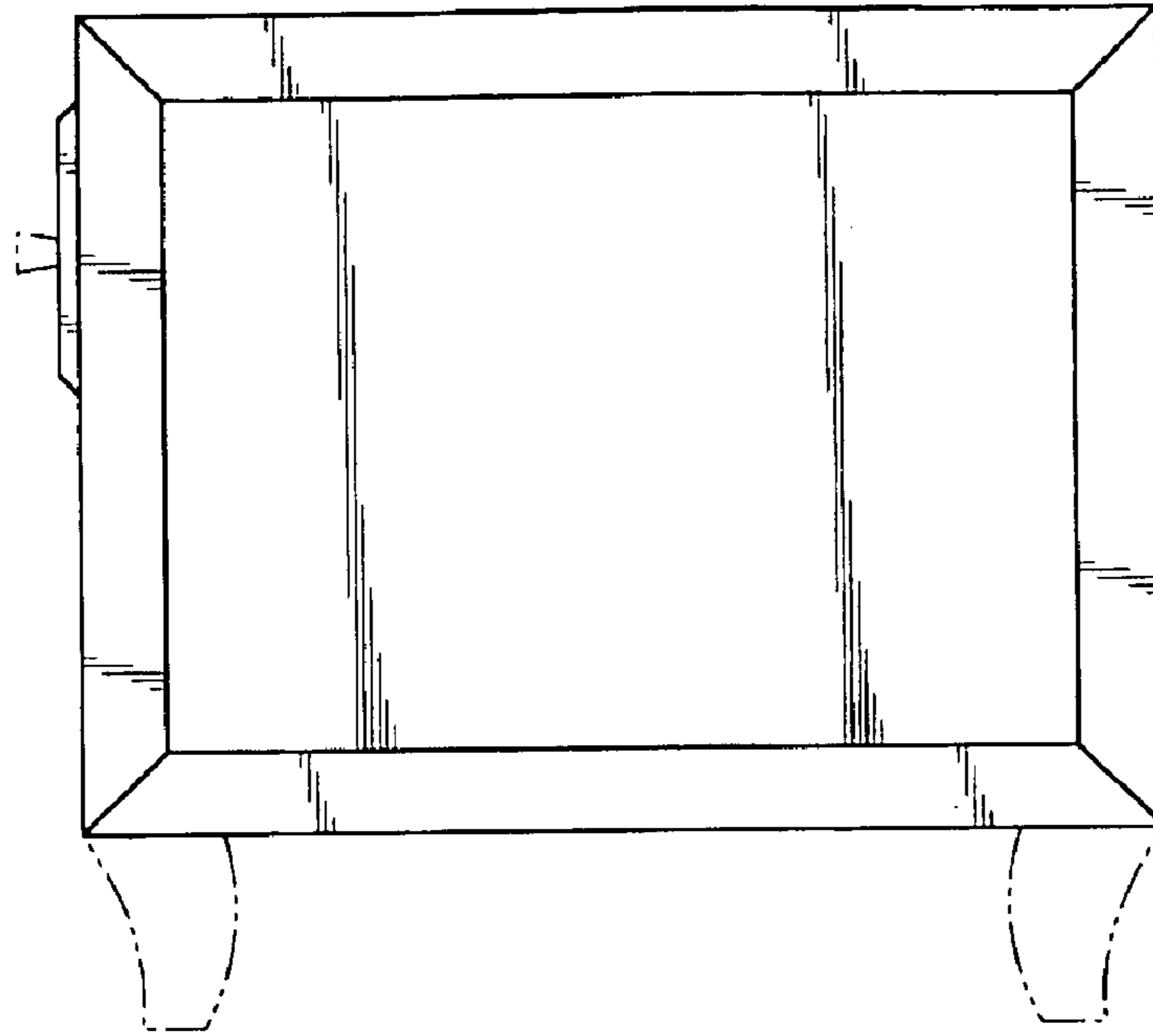


Fig. 3

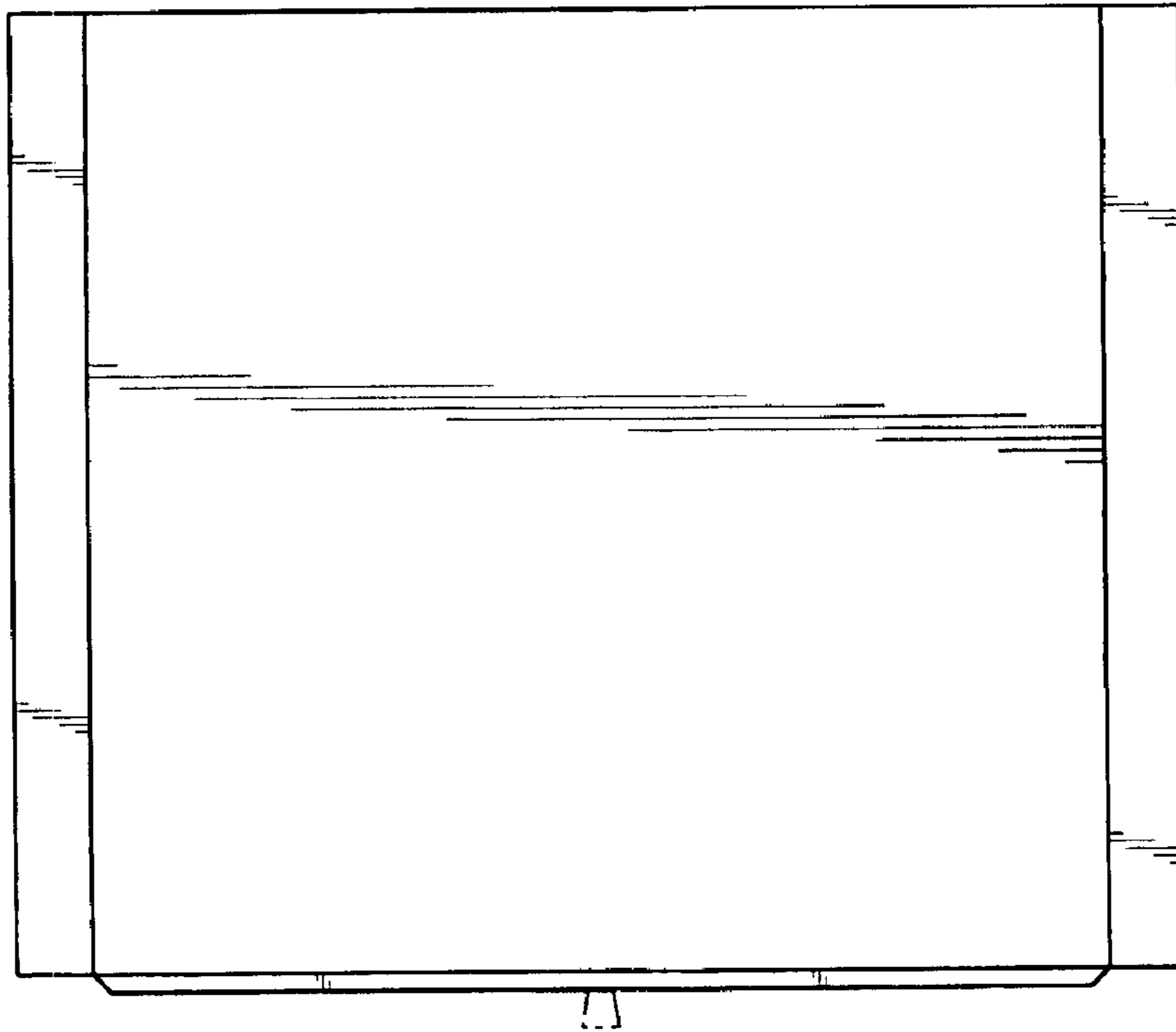


Fig. 4