



US00D529308S

(12) **United States Design Patent**
Reese

(10) **Patent No.:** **US D529,308 S**

(45) **Date of Patent:** **** Oct. 3, 2006**

- (54) **ARCHED POTTED-PLANT HOLDER**
- (76) Inventor: **Juan M. Reese**, 4724 Victory Dr. SW.,
Port Orchard, WA (US) 98367-7661
- (**) Term: **14 Years**
- (21) Appl. No.: **29/237,375**
- (22) Filed: **Aug. 29, 2005**

- D174,411 S * 4/1955 Banneyer D6/405
- D325,446 S * 4/1992 Collymore D26/13
- D348,415 S * 7/1994 Domurat D11/147
- D351,514 S * 10/1994 Nodine D6/411
- D372,810 S * 8/1996 Hardy D6/405
- D378,140 S * 2/1997 Chia-Chen et al. D26/13
- D410,348 S * 6/1999 Rehmert et al. D6/405

* cited by examiner

Related U.S. Application Data

- (63) Continuation-in-part of application No. 29/235,543, filed on Aug. 3, 2005, now abandoned.
- (51) **LOC (8) Cl.** **11-02**
- (52) **U.S. Cl.** **D6/405; D26/13**
- (58) **Field of Classification Search** D6/403-405, D6/411-416, 449, 451, 458, 460-462, 464-469, D6/474, 495, 497, 499, 552, 556-558; D8/1; D11/130, 130.1, 143-152, 164; D26/13; 47/32.7, 39, 41.01, 41.1, 44-47, 67; 211/71.01, 211/85.23, 85.31, 171, 196; 248/27.8, 121, 248/153, 156, 175, 302-304
See application file for complete search history.

Primary Examiner—Robert M. Spear
Assistant Examiner—Garth Rademaker
 (74) *Attorney, Agent, or Firm*—Olympic Patent Works PLLC

(57) **CLAIM**

The ornamental design for an arched potted-plant holder, as shown and described.

DESCRIPTION

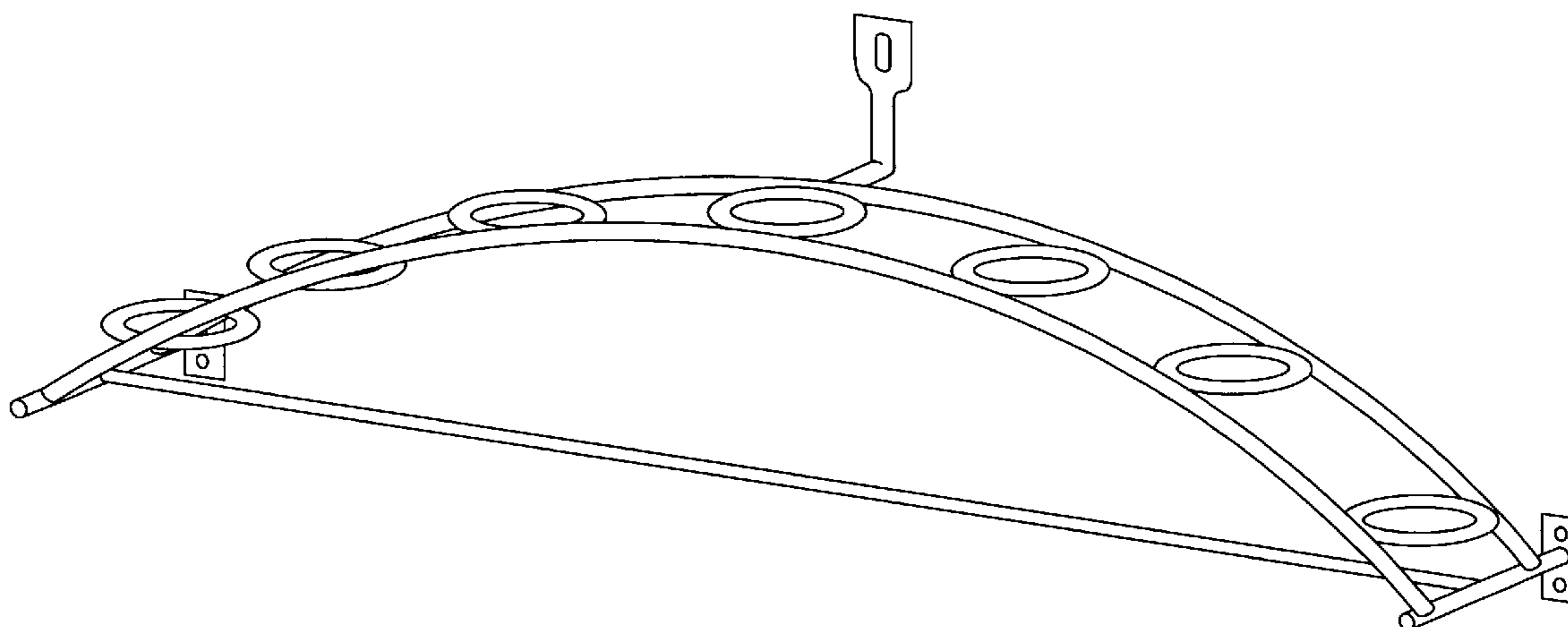
FIG. 1 is a front perspective view of an arched potted-plant holder showing my new design.
 FIG. 2 is a top plan view thereof.
 FIG. 3 is a right side elevational view thereof.
 FIG. 4 is a front elevational view thereof.
 FIG. 5 is a left side elevational view thereof.
 FIG. 6 is a rear elevational view thereof.
 FIG. 7 is a bottom plan view thereof; and,
 FIG. 8 is a front elevational view of an arched potted-plant holder that is holding seven pots and is mounted to a wall in front of a window.
 The broken line showing in FIG. 8 is for illustrative purposes only and forms no part of the claimed design.

(56) **References Cited**

U.S. PATENT DOCUMENTS

- D63,151 S * 10/1923 Walker D6/474
- D82,607 S * 11/1930 Holzworth D6/404
- D83,217 S * 2/1931 Scott et al. D6/405
- D96,867 S * 9/1935 Stipek D6/474
- D141,319 S * 5/1945 Wheary D6/474
- D145,868 S * 11/1946 Fletcher D11/147

1 Claim, 7 Drawing Sheets



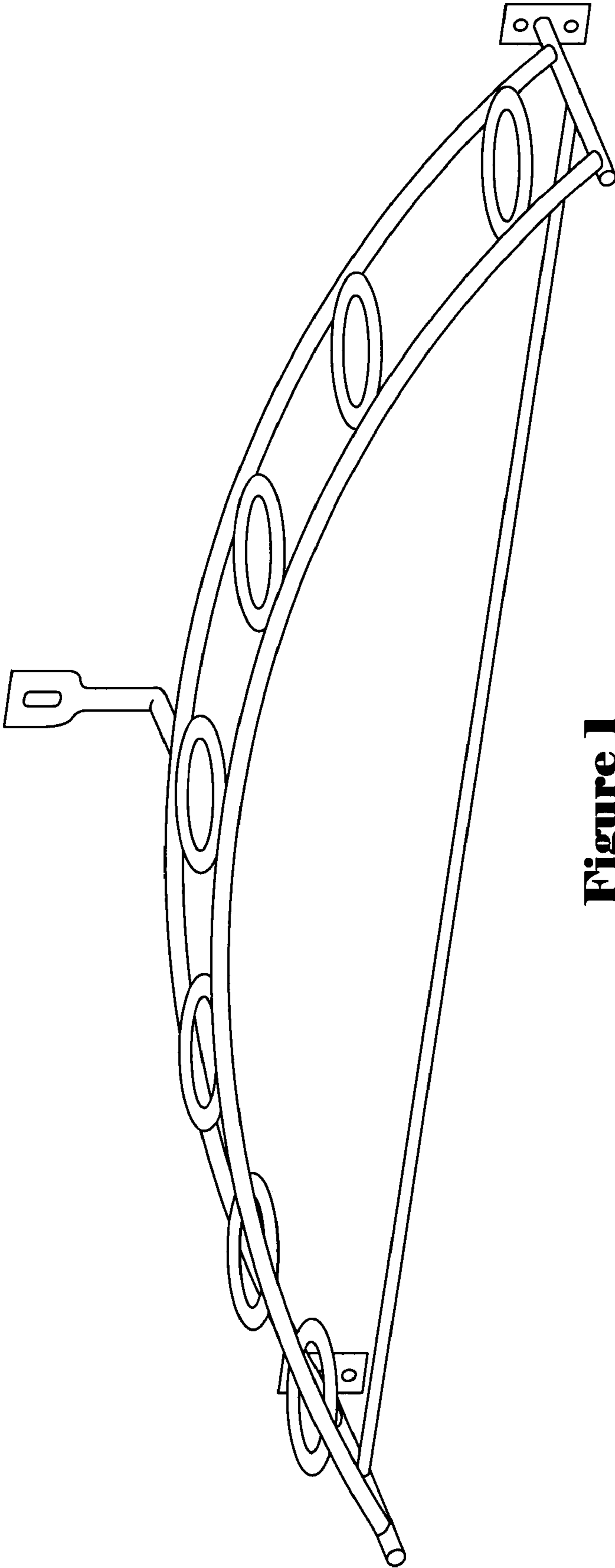


Figure 1

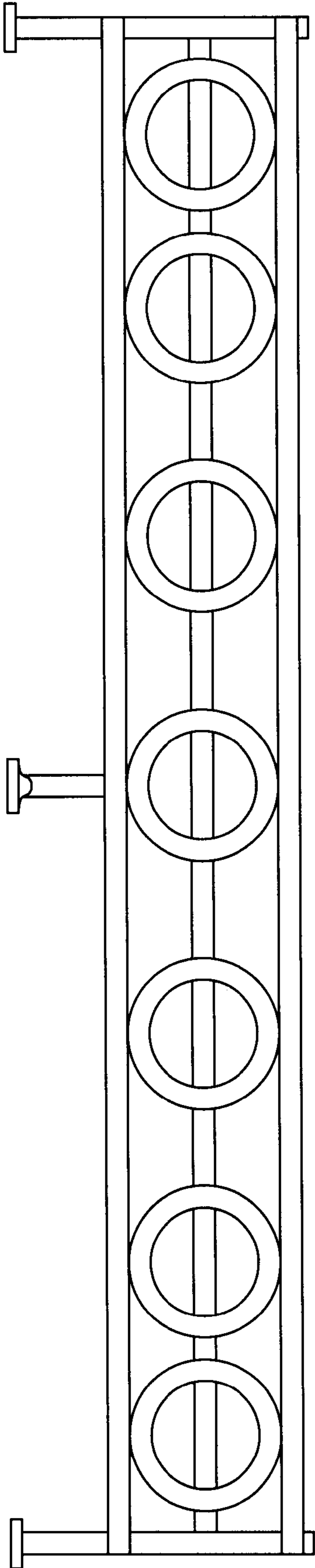


Figure 2

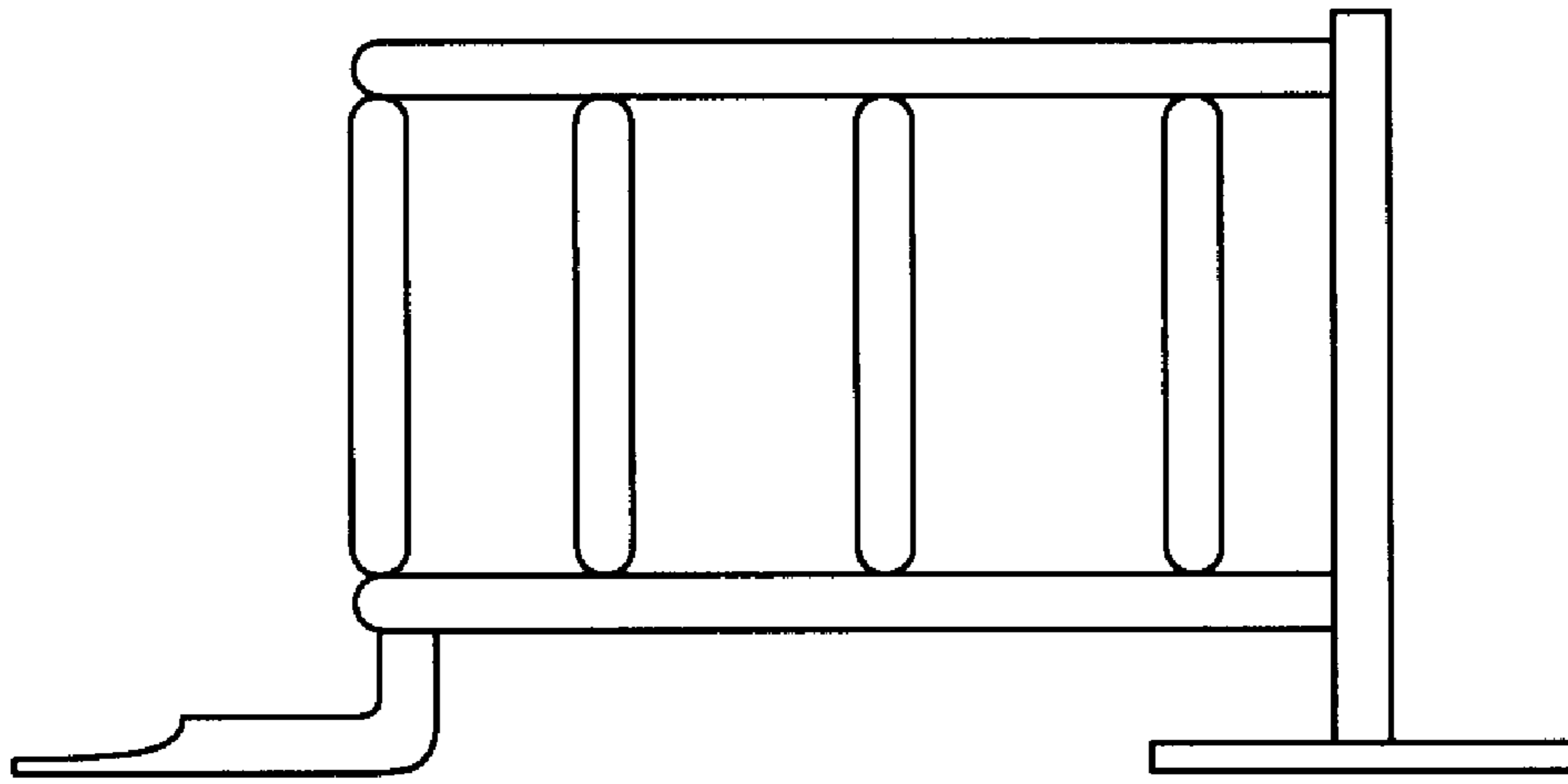


Figure 5

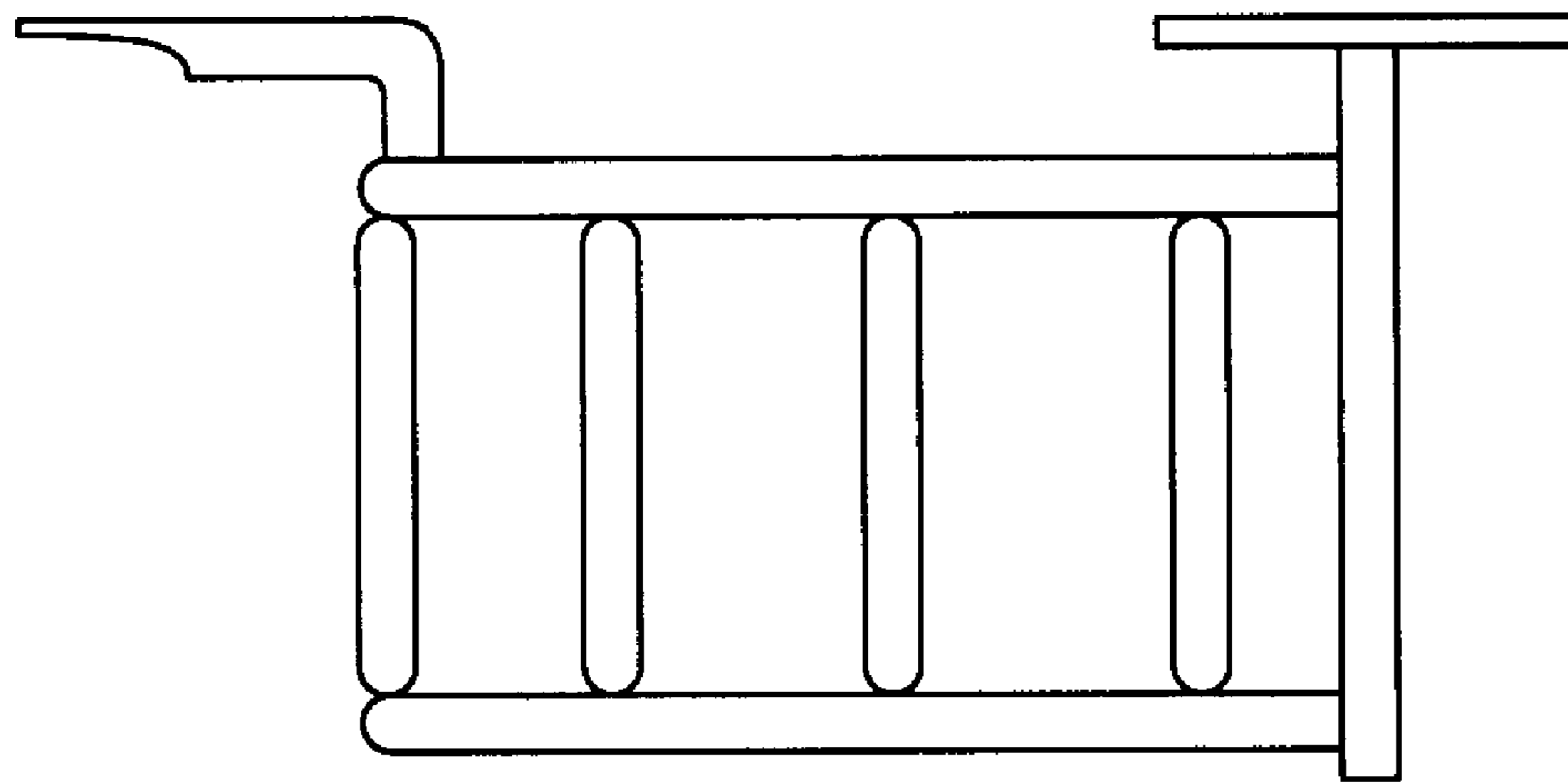


Figure 3

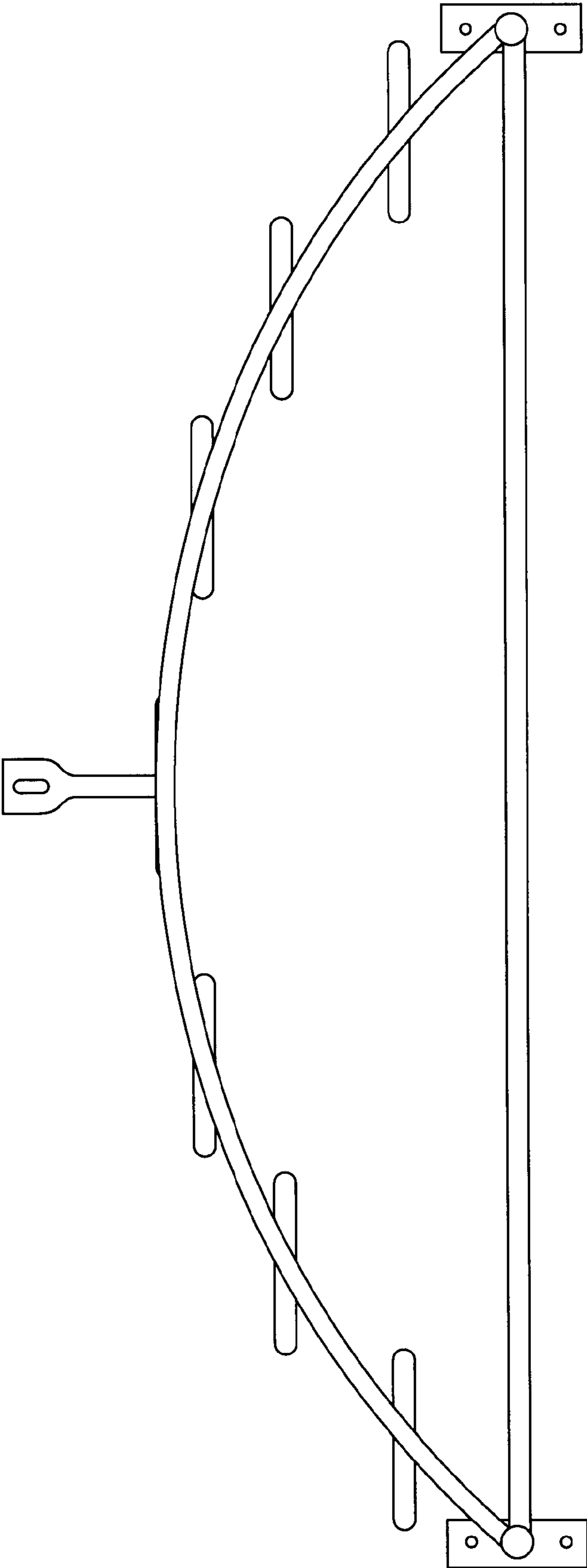


Figure 4

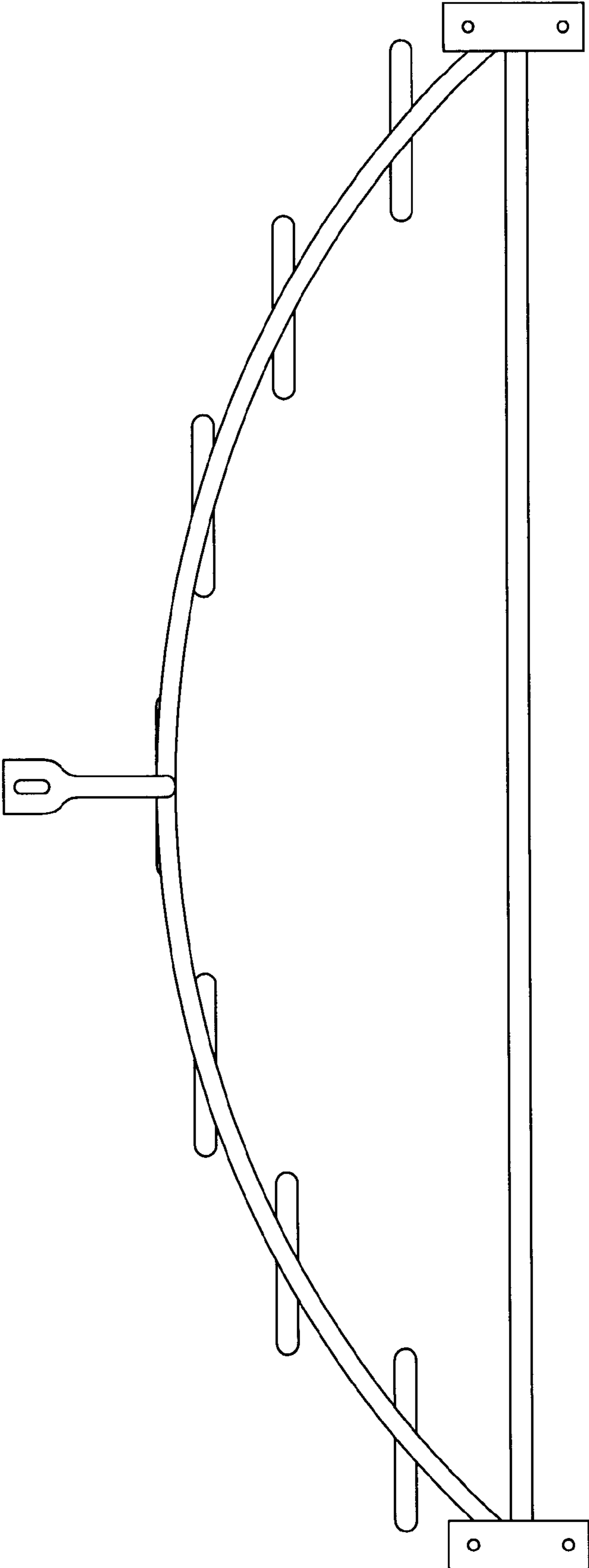


Figure 6

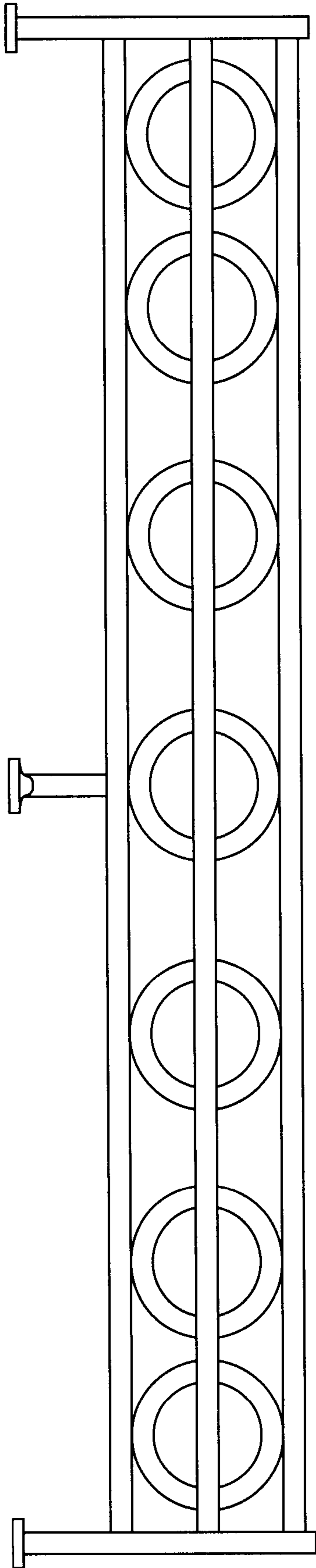


Figure 7

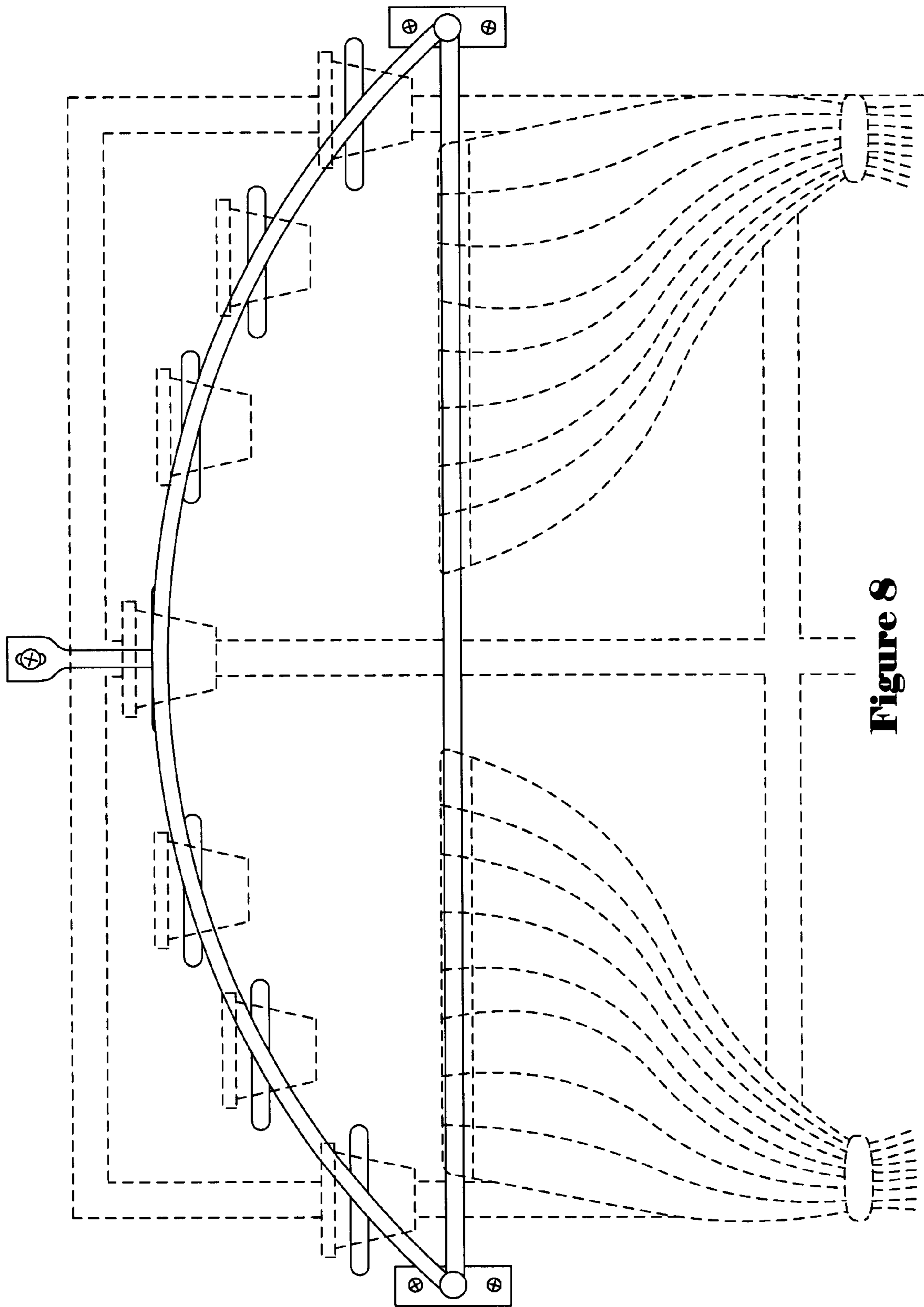


Figure 8