



US00D529294S

(12) **United States Design Patent** (10) **Patent No.:** **US D529,294 S**
Van Landingham, Jr. (45) **Date of Patent:** **** Oct. 3, 2006**

(54) **UNIVERSAL JOINT** 3,358,313 A 12/1967 Grimes, Sr.
3,407,424 A 10/1968 Lanzarone et al.
(75) **Inventor:** **Alfred Reneau Van Landingham, Jr.,** 3,440,677 A 4/1969 Flomerfelt
Stephens City, VA (US) 3,465,377 A 9/1969 Thomas
3,562,841 A 2/1971 Royalty
(73) **Assignee:** **Rubbermaid Commercial Products** 3,593,359 A 7/1971 Strauss
LLC, Winchester, VA (US) 3,699,606 A 10/1972 Ribas
(**) **Term:** **14 Years** (Continued)

FOREIGN PATENT DOCUMENTS

(21) **Appl. No.:** **29/222,441** CA 1307629 C 9/1992
(22) **Filed:** **Jan. 31, 2005** (Continued)

(51) **LOC (8) Cl.** **04-99**
(52) **U.S. Cl.** **D4/199; D8/382**
(58) **Field of Classification Search** **D4/199;**
D8/382; D32/35, 40, 50-52; 15/145, 229.2
See application file for complete search history.

Primary Examiner—Holly H. Baynham
(74) *Attorney, Agent, or Firm*—Foley & Lardner LLP

(57) **CLAIM**

The ornamental design for a universal joint, as shown and described.

(56) **References Cited**

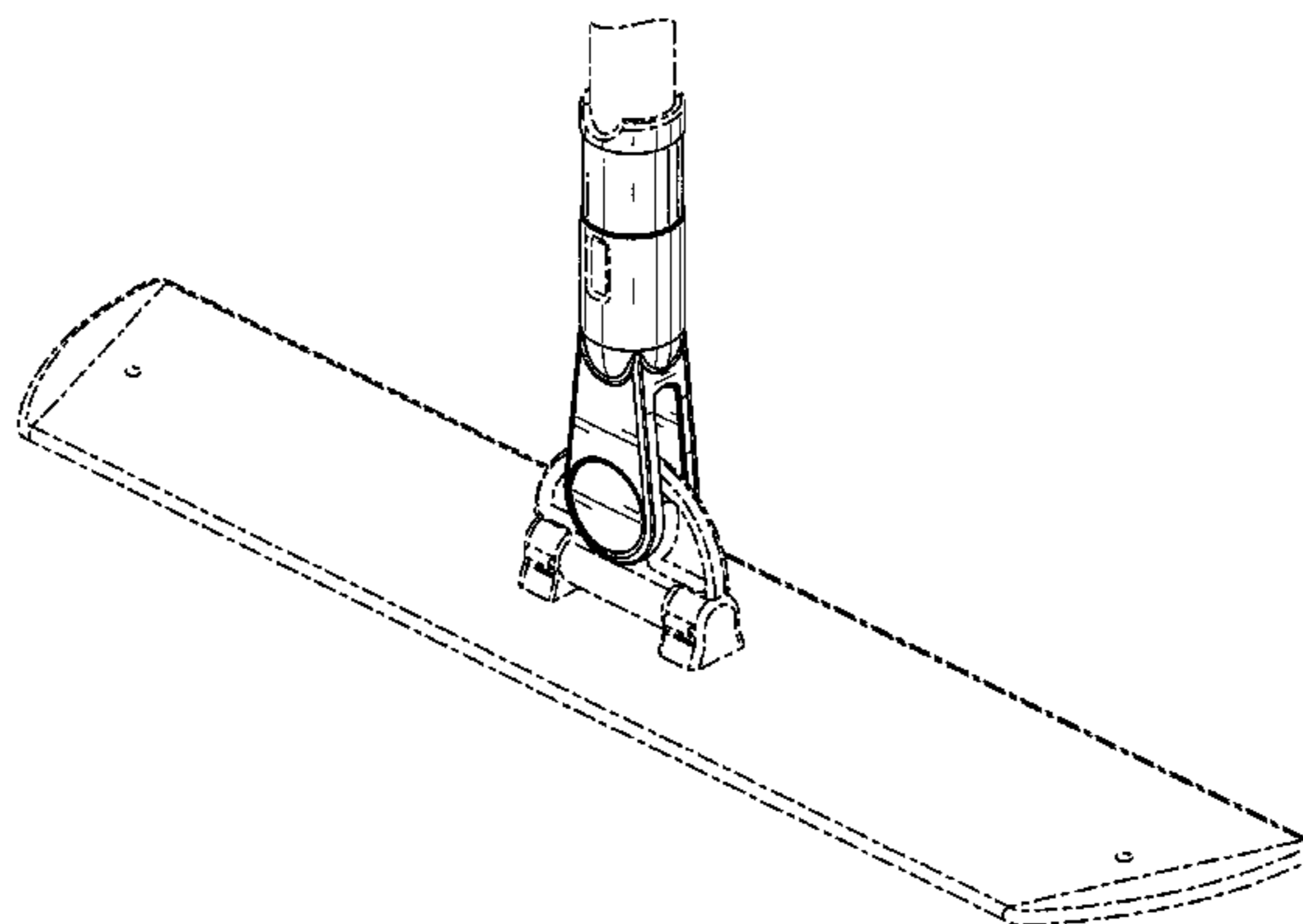
U.S. PATENT DOCUMENTS

1,184,543 A 5/1916 Lepak
1,234,721 A 7/1917 Boggess
1,486,284 A 3/1924 Eiffé
1,816,861 A 8/1931 Mancuso
1,929,848 A 10/1933 Neely
1,932,099 A 10/1933 Cabana
1,955,445 A 4/1934 Wenger
2,021,977 A 11/1935 Allen et al.
2,023,134 A 12/1935 Gringer
2,123,813 A 7/1938 Stiles
2,134,301 A 10/1938 Guggenbuehler
2,252,436 A 8/1941 MacGraham
2,262,334 A 11/1941 Rugaard
2,277,676 A 3/1942 Blanchard
2,753,579 A 7/1956 Kussmann
2,793,383 A 5/1957 Nomiya
2,870,475 A 1/1959 Scheuer et al.
2,932,047 A 4/1960 Johnston
3,099,855 A 8/1963 Nash
3,145,406 A 8/1964 Lay
3,187,363 A 6/1965 Auwarter
D204,662 S 5/1966 Benjamin
D206,933 S 2/1967 Gibbs
3,341,876 A 9/1967 Campbell

DESCRIPTION

FIG. 1 is a top frontal perspective view of a universal joint according to my new design;
FIG. 2 is a front view of the universal joint shown in FIG. 1;
FIG. 3 is a back view of the universal joint shown in FIG. 1;
FIG. 4 is a left side view of the universal joint shown in FIG. 1;
FIG. 5 is a right side view of the universal joint shown in FIG. 1;
FIG. 6 is a top view of the universal joint shown in FIG. 1; and,
FIG. 7 is a bottom view of the universal joint shown in FIG. 1.
The ornamental design which is claimed is shown in solid lines in the drawings. The broken lines in the drawings are for illustrative purposes only and form no part of the claimed design.

1 Claim, 6 Drawing Sheets



US D529,294 S

U.S. PATENT DOCUMENTS					
			4,962,561 A	10/1990	Hamilton
			D320,295 S	9/1991	Delmerico
3,737,938 A	6/1973	Saltzstein	5,071,489 A	12/1991	Silvenis et al.
3,747,154 A	7/1973	O'Neil	5,099,539 A	3/1992	Forester
3,773,375 A	11/1973	Nehls	5,109,637 A	5/1992	Calafut et al.
3,792,505 A	2/1974	Saltzstein	5,133,101 A	7/1992	Hauser et al.
3,850,533 A	11/1974	Thielen	5,207,754 A	5/1993	Harrah
3,866,257 A	2/1975	Cansdale, Sr.	5,220,707 A	6/1993	Newman, Sr. et al.
3,877,103 A	4/1975	Nash	5,228,202 A	7/1993	Liao
3,896,518 A	7/1975	Von Post et al.	5,242,362 A	9/1993	Talamantez
3,909,870 A	10/1975	Leland	D344,379 S	2/1994	Clark, Jr.
3,921,247 A	11/1975	Cook	D345,236 S	3/1994	Chen
3,996,639 A	12/1976	Griffin	D348,550 S	7/1994	Cox et al.
4,070,726 A	1/1978	Joffre	5,333,347 A	8/1994	Stranders
D248,081 S	6/1978	Epstein	5,333,353 A	8/1994	Taylor
D248,610 S	7/1978	Schwartz	5,343,589 A	9/1994	Davenport
4,114,223 A	9/1978	Buchanan	5,375,286 A	12/1994	Harrah
D250,245 S	11/1978	Bebb	5,402,559 A	4/1995	Allison et al.
4,132,489 A	1/1979	Berg, Jr. et al.	D358,238 S	5/1995	Barnett
4,161,799 A	7/1979	Sorrells	5,419,015 A	5/1995	Garcia
4,165,550 A	8/1979	Burke	D359,605 S	6/1995	Janikowski
4,184,224 A	1/1980	Joffre	5,426,809 A	6/1995	Muta
4,225,998 A	10/1980	Thielen	5,440,778 A	8/1995	De Guzman
4,247,216 A	1/1981	Pansini	5,461,749 A	10/1995	Ahlberg et al.
4,315,342 A	2/1982	Ash	5,469,594 A	11/1995	Nolte
4,325,157 A	4/1982	Balint et al.	D366,740 S	1/1996	Clausen et al.
4,344,201 A	8/1982	Trisolini	5,487,202 A	1/1996	Cowan
4,345,351 A	8/1982	Moss et al.	D368,561 S	4/1996	Hodges et al.
4,381,766 A	5/1983	Avolio	5,502,864 A	4/1996	Sorenson
D270,961 S	10/1983	Hawkins et al.	5,515,574 A	5/1996	Larson
4,455,705 A	6/1984	Graham	5,548,865 A	8/1996	Pagani
D274,856 S	7/1984	Smith et al.	5,553,344 A	9/1996	Rosenkrantz
4,466,377 A	8/1984	Kolb et al.	D374,321 S	10/1996	Mandell et al.
D277,039 S	1/1985	Miyoshi et al.	D375,843 S	* 11/1996	Wolfenden D4/199
4,516,360 A	5/1985	Gringer et al.	5,579,557 A	12/1996	Boden
4,524,484 A	6/1985	Graham	5,579,558 A	12/1996	Newman, Jr. et al.
D279,932 S	7/1985	Bergstrom	5,603,138 A	2/1997	Bonis
4,603,450 A	8/1986	Osberghaus et al.	5,611,104 A	3/1997	De Mars
D285,736 S	9/1986	Seely	5,625,923 A	5/1997	Huang
D286,096 S	10/1986	Jaros et al.	D380,303 S	7/1997	Wolfenden
4,620,340 A	11/1986	Bohacek	5,655,250 A	8/1997	Warrell
D287,173 S	12/1986	Libman	D383,580 S	9/1997	Bolster et al.
4,625,356 A	12/1986	Meili	5,666,685 A	9/1997	Von Grolman et al.
4,656,686 A	4/1987	Moss et al.	D384,818 S	10/1997	Wolfenden
4,659,125 A	4/1987	Chuan	5,682,641 A	11/1997	Newman, Jr. et al.
4,663,796 A	5/1987	Helling et al.	5,720,071 A	2/1998	Hall
4,663,798 A	5/1987	Sacks et al.	D391,715 S	3/1998	Irwin et al.
4,667,846 A	5/1987	Marceau	5,729,865 A	3/1998	Stoddart
4,673,307 A	6/1987	Prestele et al.	5,752,415 A	5/1998	Tsai
4,685,167 A	8/1987	Murray	D395,530 S	6/1998	Mandell et al.
4,704,758 A	11/1987	Hoffman	D395,531 S	6/1998	Mandell et al.
4,704,763 A	11/1987	Sacks et al.	5,771,535 A	6/1998	Blessing
4,707,877 A	11/1987	Griffin	5,774,929 A	7/1998	Jürgens et al.
4,713,859 A	12/1987	Smith, Jr.	5,779,291 A	7/1998	Forest
4,716,619 A	1/1988	Young	5,791,006 A	8/1998	Anctil
D295,914 S	5/1988	Moss et al.	5,791,805 A	8/1998	Lynch et al.
4,742,595 A	5/1988	Isaacs	5,813,567 A	9/1998	Mangano
D296,833 S	7/1988	Slattery et al.	5,815,878 A	10/1998	Murakami et al.
4,754,518 A	7/1988	Griffin	D402,776 S	12/1998	Carlson
4,793,646 A	12/1988	Michaud, Jr.	5,842,810 A	12/1998	Morad
4,794,663 A	1/1989	Vosbikian	5,845,361 A	12/1998	Murakami et al.
4,798,307 A	1/1989	Evrard	5,845,917 A	12/1998	Huang
4,811,449 A	3/1989	Kobayashi	D403,819 S	1/1999	Carlson
4,811,990 A	3/1989	Quearry et al.	5,862,562 A	1/1999	Erken
4,829,622 A	5/1989	O'Sullivan et al.	D404,924 S	2/1999	Schmidt
4,829,857 A	5/1989	Jones	5,864,913 A	2/1999	Robertson et al.
4,850,075 A	7/1989	Kresse et al.	D406,932 S	3/1999	Hodges
4,852,207 A	8/1989	Yamane	5,887,315 A	3/1999	Rogers
4,852,210 A	8/1989	Krajicek	D407,878 S	4/1999	Carlson
D304,630 S	11/1989	Jones et al.	D408,602 S	4/1999	Carlson
4,912,804 A	4/1990	Pasbol	D409,343 S	5/1999	Kingry et al.
D307,517 S	5/1990	Mallory et al.			

US D529,294 S

D411,673 S	6/1999	Biggs et al.	6,461,074 B1	10/2002	Taylor
5,915,437 A	6/1999	Petner	D465,890 S	11/2002	Rivera et al.
5,918,343 A	7/1999	Young	6,484,346 B1	11/2002	Kingry et al.
5,920,944 A	7/1999	Biggs et al.	6,513,184 B1	2/2003	Brown et al.
5,926,896 A	7/1999	Allemann et al.	6,523,220 B1	2/2003	Lynn
D413,058 S *	8/1999	Murakami D8/382	6,530,124 B1	3/2003	Newman et al.
5,941,410 A	8/1999	Mangano	6,532,630 B1	3/2003	Newman et al.
5,960,508 A	10/1999	Holt et al.	6,543,082 B1	4/2003	Dingert et al.
5,971,199 A	10/1999	Jackson	6,546,596 B1	4/2003	Grote et al.
D416,689 S *	11/1999	Camp, Jr. D4/199	D476,123 S	6/2003	Debreczeni
D417,050 S *	11/1999	Reede D32/50	6,588,065 B1	7/2003	Tucker, III
5,983,441 A	11/1999	Williams et al.	6,601,261 B1	8/2003	Holt et al.
5,983,455 A	11/1999	Polzin et al.	6,606,757 B1	8/2003	Vosbikian et al.
5,987,685 A	11/1999	Lambert	D481,184 S	10/2003	Clare et al.
5,992,423 A	11/1999	Tevolini	D482,829 S	11/2003	Vosbikian et al.
D417,934 S	12/1999	Footer et al.	6,651,290 B1	11/2003	Kingry et al.
5,996,175 A	12/1999	Fusco	6,669,397 B1	12/2003	Christion
6,000,094 A	12/1999	Young	6,671,923 B1	1/2004	Gromnicki
6,003,191 A	12/1999	Sherry et al.	6,671,930 B1	1/2004	Lanz
6,023,924 A	2/2000	Babineau	D486,616 S	2/2004	Hall et al.
6,029,308 A	2/2000	Smith	D487,174 S	2/2004	Colman et al.
D423,157 S	4/2000	Hodges	6,684,446 B1	2/2004	Salmon
D423,742 S	4/2000	Kingry et al.	6,684,450 B1	2/2004	Dingert
6,045,622 A	4/2000	Holt et al.	6,687,943 B1	2/2004	Zorzo
6,048,123 A	4/2000	Holt et al.	D489,852 S	5/2004	Perelli
6,058,548 A	5/2000	Footer et al.	D490,952 S	6/2004	Ajluni
6,058,552 A	5/2000	Hanan	6,794,352 B1	9/2004	Svendsen
6,061,864 A	5/2000	Ensson	2001/0013153 A1	8/2001	Zorzo
D426,361 S	6/2000	Young	2001/0029640 A1	10/2001	Cassar
D427,401 S	6/2000	Kunkler	2001/0047559 A1	12/2001	Graham et al.
D428,226 S	7/2000	Kunkler	2001/0047570 A1	12/2001	Lanz
6,092,255 A	7/2000	Kim	2002/0021013 A1	2/2002	Newman et al.
D429,396 S	8/2000	Houry et al.	2002/0026680 A1	3/2002	Kingry et al.
D429,862 S	8/2000	Houry et al.	2002/0066163 A1	6/2002	Lomax
6,098,239 A	8/2000	Vosbikian	2002/0073502 A1	6/2002	Gromnicki
6,101,661 A	8/2000	Policicchio et al.	2002/0078520 A1	6/2002	Salmon
6,115,877 A	9/2000	Morad et al.	2002/0083964 A1	7/2002	McKay
6,115,878 A	9/2000	McLaughlin et al.	2002/0088091 A1	7/2002	Grote et al.
6,119,298 A	9/2000	Kenmochi	2002/0088092 A1	7/2002	Cavalheiro
6,128,803 A	10/2000	Dickinson et al.	2002/0116780 A1	8/2002	Young
6,141,820 A	11/2000	Schmiedhoff et al.	2002/0120997 A1	9/2002	Alt
D434,911 S	12/2000	Lynch et al.	2002/0144369 A1	10/2002	Biggs et al.
6,158,089 A	12/2000	Monahan et al.	2002/0184726 A1	12/2002	Kingry et al.
6,199,245 B1	3/2001	Blessing	2003/0003831 A1	1/2003	Childs et al.
6,202,250 B1	3/2001	Kenmochi et al.	2003/0003832 A1	1/2003	Childs et al.
6,213,672 B1	4/2001	Varga	2003/0009839 A1	1/2003	Streutker et al.
6,237,182 B1	5/2001	Cassar	2003/0024074 A1	2/2003	Hartman
6,243,909 B1	6/2001	Graham et al.	2003/0028988 A1	2/2003	Streutker et al.
6,254,305 B1	7/2001	Taylor	2003/0044569 A1	3/2003	Kacher et al.
6,260,230 B1	7/2001	Hunt	2003/0046782 A1	3/2003	Kresse et al.
6,260,238 B1	7/2001	MacMillan	2003/0049407 A1	3/2003	Kacher et al.
6,279,195 B1	8/2001	Biggs	2003/0056315 A1	3/2003	Salmon
6,298,517 B1	10/2001	McKay	2003/0074756 A1	4/2003	Policicchio et al.
6,305,046 B1	10/2001	Kingry et al.	2003/0084531 A1	5/2003	Dingert et al.
6,311,368 B1	11/2001	Sartori	2003/0106568 A1	6/2003	Keck et al.
6,332,234 B1	12/2001	Graham et al.	2003/0121116 A1	7/2003	Keck et al.
6,339,979 B1	1/2002	Chiang	2003/0126709 A1	7/2003	Policicchio et al.
D455,878 S	4/2002	Debreczeni	2003/0126710 A1	7/2003	Policicchio et al.
6,367,121 B1	4/2002	MacMillan	2003/0135948 A1	7/2003	Holt et al.
6,378,159 B1	4/2002	Garrison et al.	2003/0150478 A1	8/2003	Biggs
6,389,638 B1	5/2002	Dickinson et al.	2003/0167589 A1	9/2003	Dingert et al.
D458,427 S	6/2002	Kunkler et al.	2003/0200631 A1	10/2003	Clarke
D458,721 S	6/2002	Clarke	2004/0011382 A1	1/2004	Kingry et al.
D458,722 S *	6/2002	Romero et al. D32/52	2004/0055099 A1	3/2004	Greenberg
6,397,427 B1	6/2002	Bryngelsson	2004/0071490 A1	4/2004	Vosbikian et al.
6,405,403 B1	6/2002	McKay	2004/0074520 A1	4/2004	Truong et al.
D461,028 S *	7/2002	Ng D32/40			
D461,029 S *	7/2002	Ng D32/40			
6,412,138 B1	7/2002	MacMillan	CA	2050980 A1	10/1992
6,415,470 B1	7/2002	Ramrattan	CA	1315502 C	4/1993
6,457,203 B1	10/2002	Williams et al.	CA	2138144 A1	12/1993

FOREIGN PATENT DOCUMENTS

US D529,294 S

Page 4

CA	2114992	A1	8/1994	DE	101 23 522	C1	8/2002
CA	2181683	A1	7/1995	DE	202 20 311	U1	7/2003
CA	2189433	A1	12/1995	DE	102 23 074	C1	8/2003
CA	2203692	A1	4/1997	DE	102 10 569	A1	9/2003
CA	2201432	A1	10/1997	DE	102 21 060	A1	11/2003
CA	2263263		2/1998	DE	297 24 799	U1	4/2004
CA	2238091	A1	5/1998	EP	0 122 675	A1	10/1984
CA	2252819	A1	10/1998	EP	0 168 681	B1	1/1986
CA	2265139	A1	3/1999	EP	0 254 507	A1	1/1988
CA	2272405	A1	5/1999	EP	0 299 298	A1	1/1989
CA	2193045	C	12/1999	EP	0 625 329	A1	11/1994
CA	2 376 800	A1	12/1999	EP	0 697 269	A2	2/1996
CA	2 349 726	A1	5/2000	EP	0 702 927	A1	3/1996
CA	2170154	C	11/2000	EP	0 781 524	A	7/1997
CA	2 377 579	A1	1/2001	EP	0 782 835	A2	7/1997
CA	2 380 369	A1	2/2001	EP	0 783 866	A2	7/1997
CA	2 384 137	A1	4/2001	EP	568 110	B1	9/1997
CA	2 384 857	A1	4/2001	EP	0 808 601	A2	11/1997
CA	2 332 554	A1	8/2001	EP	0 898 927	A1	3/1999
CA	2 154 839	C	10/2001	EP	0 981 993	A2	3/2000
CA	2 342 010	A1	11/2001	EP	1 123 683	A2	8/2001
CA	2 413 519	A1	1/2002	EP	1 138 246	A2	10/2001
CA	2 353 287	A1	2/2002	EP	1 157 653	A2	11/2001
CA	2 426 042	A1	5/2002	EP	1 162 122	A2	12/2001
CA	2 426 546	A1	5/2002	EP	1 177 863	A2	2/2002
CA	2 426 628	A1	5/2002	EP	1 181 887	A2	2/2002
CA	2 209 147	C	8/2002	EP	1 234 537	A2	8/2002
CA	2 448 393	A1	1/2003	EP	1 234 538	A2	8/2002
CA	2 411 221	A1	5/2003	EP	1 262 139	A	12/2002
CA	2 266 783	C	1/2004	EP	1 380 248	A2	1/2004
CA	2 284 654	C	1/2004	FR	786 764		9/1935
CA	2215574	C	3/2004	FR	1 084 131		1/1955
CA	2 266 541	C	3/2004	FR	1 347 916		11/1963
CA	2 282 149	C	3/2004	FR	2 354 743		1/1978
CA	2 300 393	C	5/2004	FR	2 495 530		6/1982
CA	2 193 044	C	12/2004	FR	2 769 204	A1	4/1999
DE	597 084		5/1934	GB	660499		11/1951
DE	815036		9/1951	GB	820753	A	9/1959
DE	1 703 505		5/1968	GB	945831		1/1964
DE	1 503 872		7/1969	GB	1 501 316		2/1978
DE	34 11 858	A1	8/1985	GB	1 562 009		3/1980
DE	9000477	U1	1/1990	GB	2 197 185	A	5/1988
DE	41 09 142	A1	9/1992	GB	2 319 742	A	6/1998
DE	9301615	U1	2/1993	GB	2 331 694	A	6/1999
DE	9307679	U1	9/1993	GB	2 372 430	A	8/2002
DE	43 29 848	A1	3/1994	GB	2 372 437	A	8/2002
DE	9408885	U1	10/1994	LU	88 755		10/1996
DE	9410791	U1	10/1994	NL	6903297		9/1970
DE	9411092	U1	10/1994	PL	183974	B1	11/1997
DE	43 18 792	A1	12/1994	SE	470 475	B	5/1994
DE	9415002	U1	12/1994	SE	502 450	C2	10/1995
DE	94 16 565	U1	1/1995	WO	WO 89/12419	A1	12/1989
DE	94 21 373	U1	12/1995	WO	WO 92/14064	A1	8/1992
DE	195 21 341	A1	12/1996	WO	WO 92/18046	A1	10/1992
DE	9311098	U1	2/1997	WO	WO 92/19142	A1	11/1992
DE	195 29 780	A1	2/1997	WO	WO 93/26148	A1	12/1993
DE	296 20 863	U1	3/1997	WO	WO 95/07044	A1	3/1995
DE	196 20 663	A1	11/1997	WO	WO 95/20107	A1	7/1995
DE	197 36 735	A1	2/1999	WO	WO 95/32661	A1	12/1995
DE	298 18 942	U1	2/1999	WO	WO 97/01420	A1	1/1997
DE	198 03 595	A1	8/1999	WO	WO 97/10742	A1	3/1997
DE	198 27 865	A1	1/2000	WO	WO 97/18744	A1	5/1997
DE	199 08 259	A1	8/2000	WO	WO 97/33510	A1	9/1997
DE	100 20 366	A1	6/2001	WO	WO 97/35510	A1	10/1997
DE	100 08 331	A1	9/2001	WO	WO 98/06316	A1	2/1998
DE	100 13 308	C1	9/2001	WO	WO 98/11812	A1	3/1998
DE	100 19 211	A1	9/2001	WO	WO 98/11813	A1	3/1998
DE	201 06 432	U1	9/2001	WO	WO 98/12023	A1	3/1998
DE	201 07 465	U1	2/2002	WO	WO 98/23199	A1	6/1998
DE	201 17 581	U1	2/2002	WO	WO 98/36676	A1	8/1998
DE	100 49 334	A1	4/2002	WO	WO 98/42246	A1	10/1998

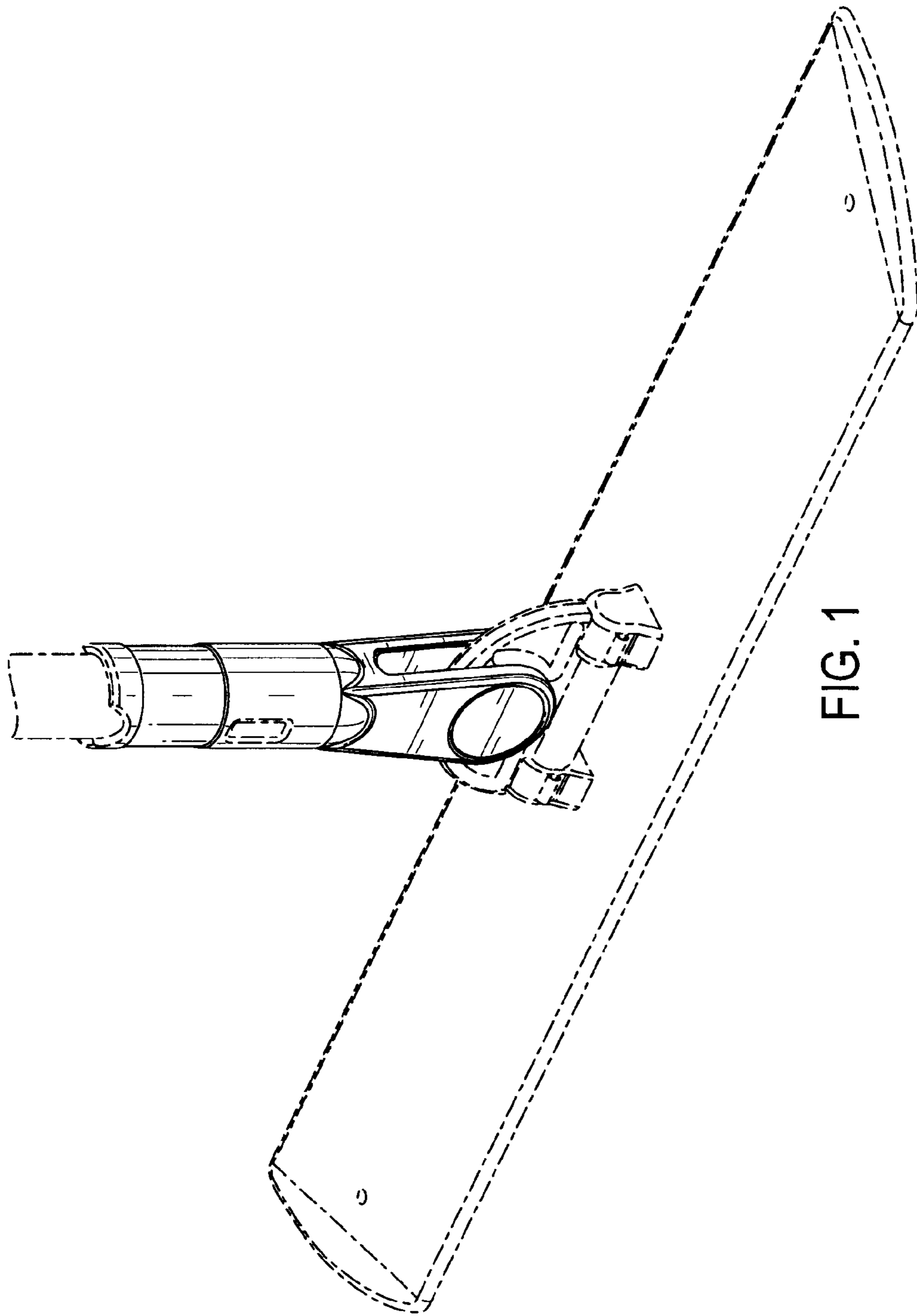
US D529,294 S

Page 5

WO WO 99/07523 A1 2/1999
WO WO 99/11171 A1 3/1999
WO WO 99/63879 A1 12/1999
WO WO 99/66825 A1 12/1999
WO WO 00/27271 A2 5/2000
WO WO 00/69321 A 11/2000
WO WO 01/06137 A1 1/2001
WO WO 01/22860 A1 4/2001
WO WO 01/22861 A2 4/2001
WO WO 01/39653 A1 6/2001
WO WO 01/45547 A1 6/2001

WO WO 01/54867 A1 8/2001
WO WO 01/67941 A1 9/2001
WO WO 01/67942 A1 9/2001
WO WO 02/00085 A2 1/2002
WO WO 02/083370 A1 10/2002
WO WO 03/075737 A2 9/2003
WO WO 03/092965 A2 11/2003
WO WO 03/099095 A1 12/2003

* cited by examiner



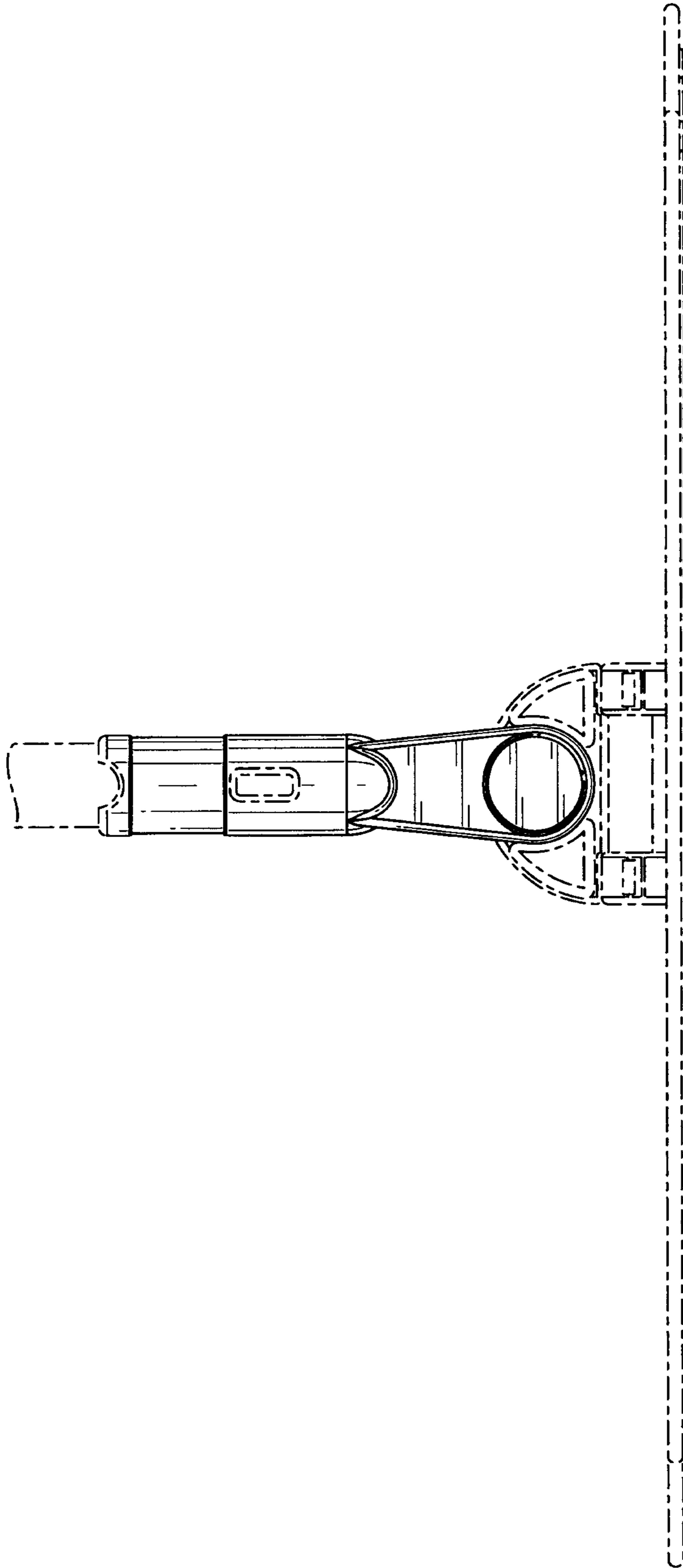


FIG. 2

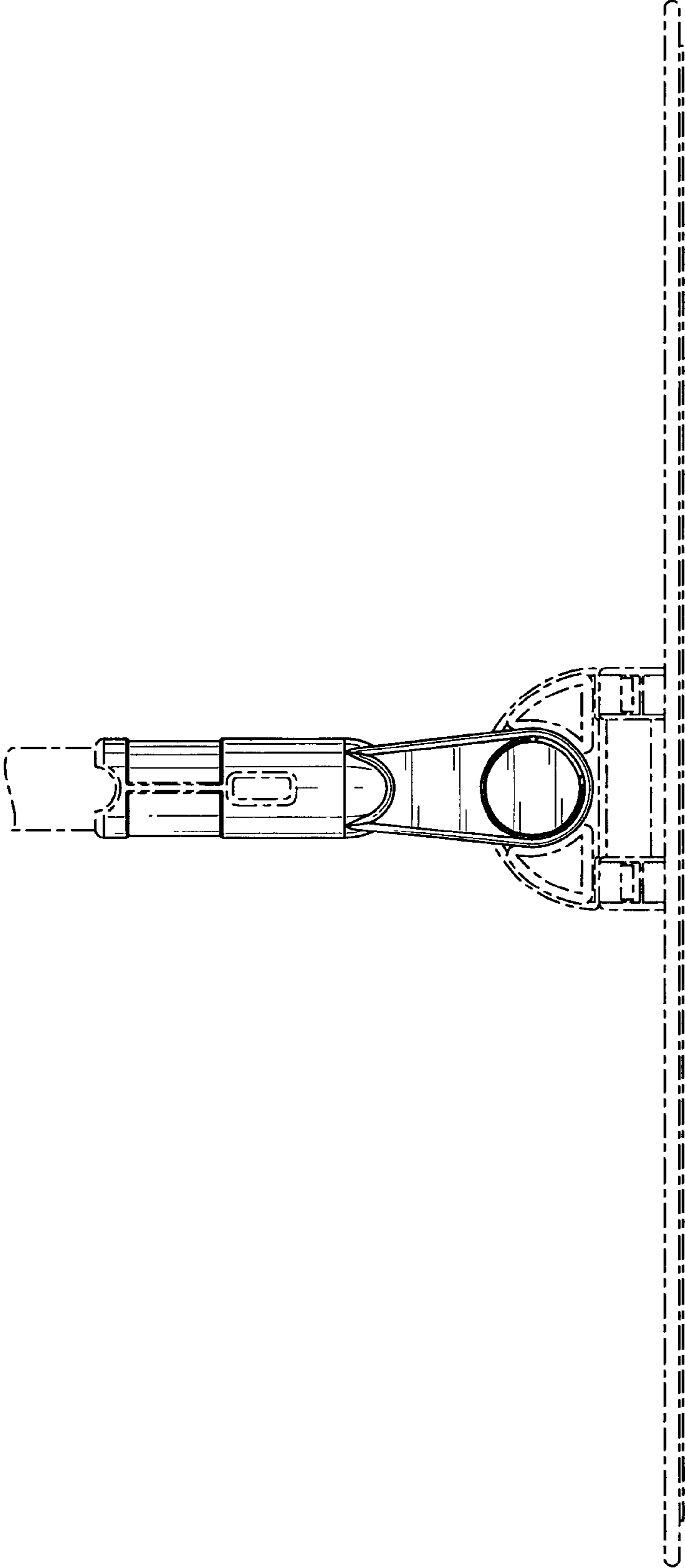


FIG. 3

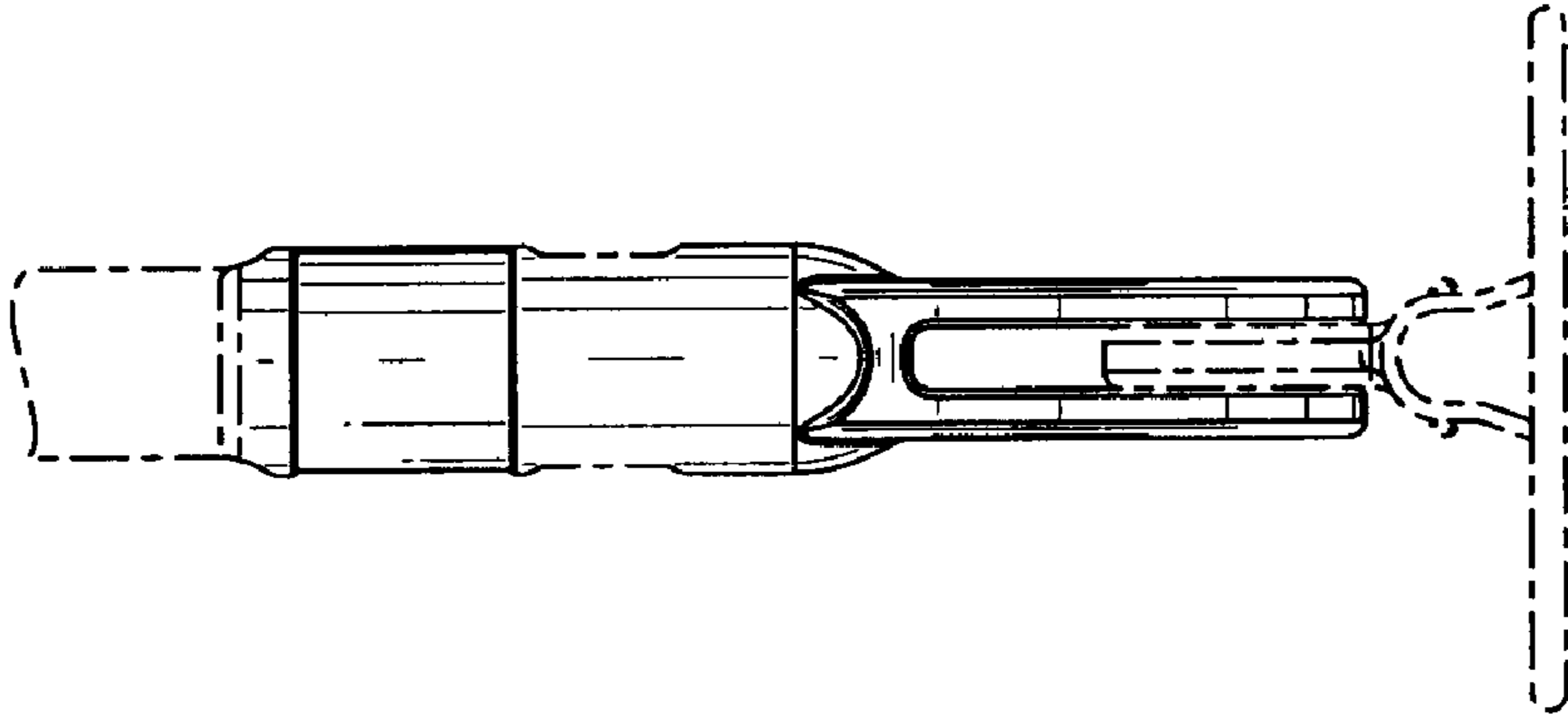


FIG. 5

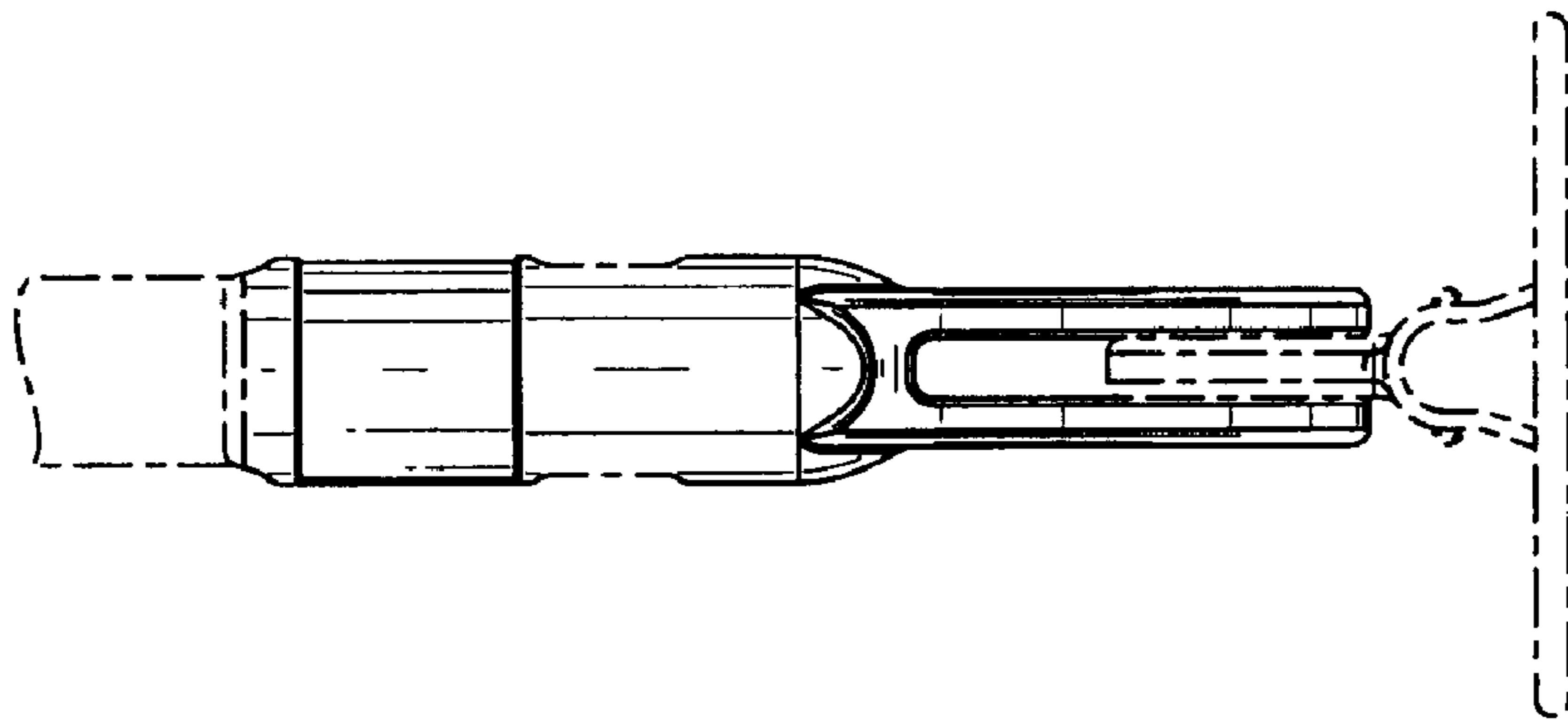


FIG. 4

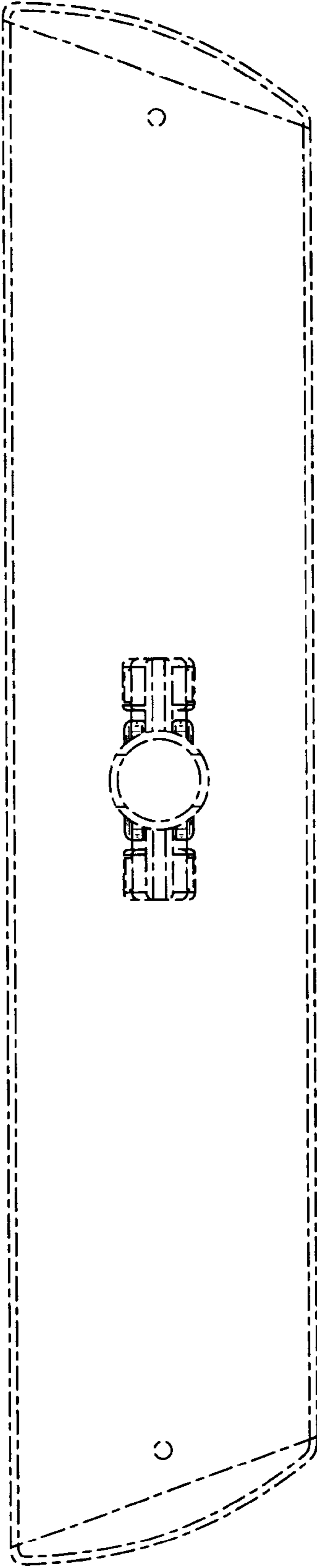


FIG. 6

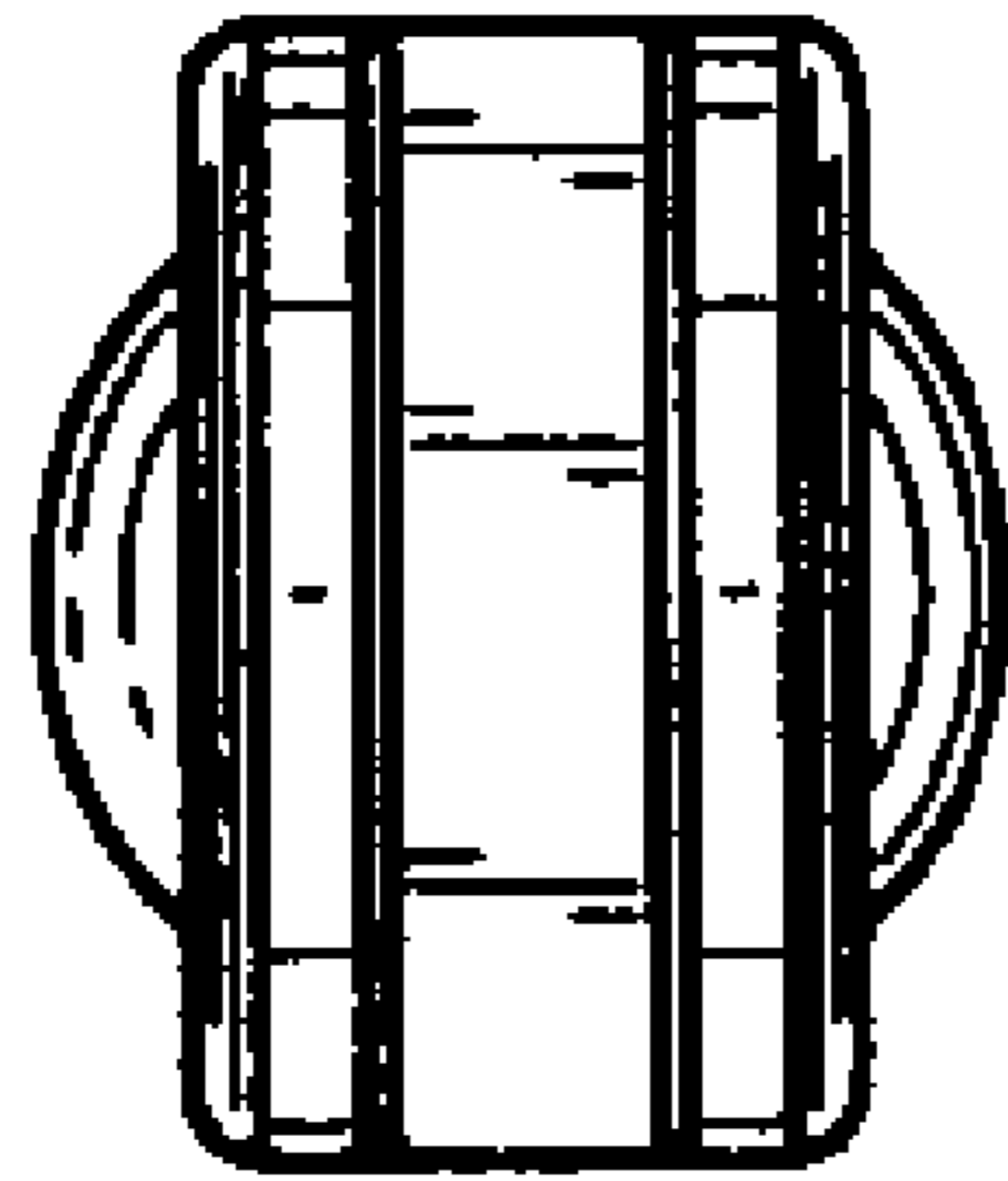


FIG. 7