

US00D529291S

(12) **United States Design Patent**  
**Schloss**

(10) **Patent No.:** **US D529,291 S**

(45) **Date of Patent:** **\*\* Oct. 3, 2006**

(54) **TRANSLUCENT TOOLBOX DRAWER EDGE GUARD**

D463,170 S \* 9/2002 Schultz ..... D6/491

\* cited by examiner

(76) Inventor: **Ben Schloss**, c/o SF Enterprises, 1201 County Rd., Unit #4, Belmont, CA (US) 94002

*Primary Examiner*—Louis S. Zarfaz

*Assistant Examiner*—Monica A. Weingart

(74) *Attorney, Agent, or Firm*—Charles R. Cypher; Law Offices of James R. Cypher

(\*\*) Term: **14 Years**

(57) **CLAIM**

(21) Appl. No.: **29/214,543**

The ornamental design for a translucent toolbox drawer edge guard, as shown and described.

(22) Filed: **Oct. 4, 2004**

(51) **LOC (8) Cl.** ..... **03-01**

(52) **U.S. Cl.** ..... **D3/318**

(58) **Field of Classification Search** ..... D3/294, D3/295, 296, 297, 298, 318, 319, 321, 323, D3/905; D6/439, 445, 491, 492; D34/19; 312/215, 271, 289, 290, 301, 328, 330.1, 312/332, 334.1, 334.7, 350, 351, 332.1, 334.44, 312/348.4, 400; 40/666, 661.03; D8/403  
See application file for complete search history.

**DESCRIPTION**

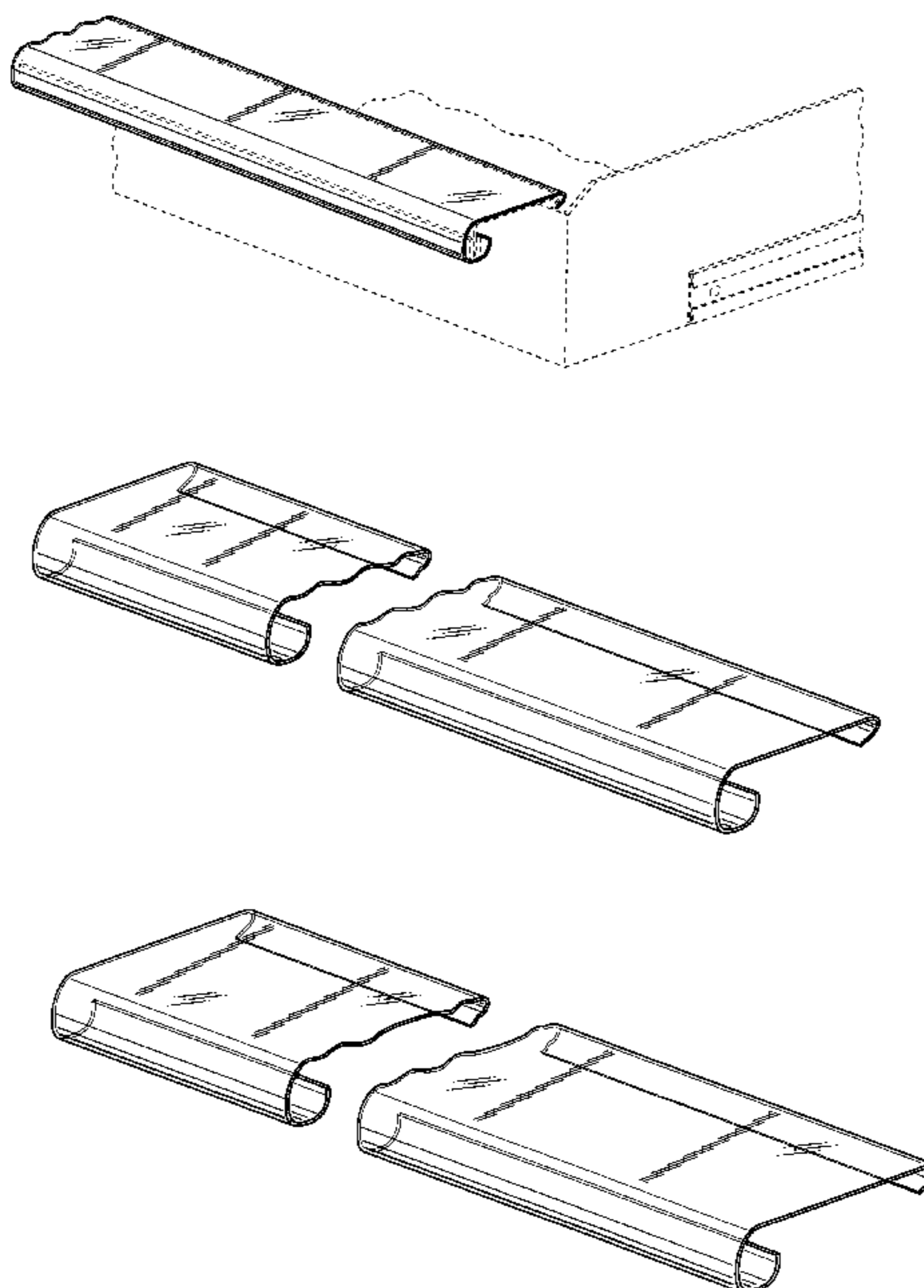
FIG. 1 is a front perspective view of a translucent toolbox drawer edge guard showing my new design; FIG. 2 is an alternate front perspective view thereof; FIG. 3 is a rear elevational view thereof; FIG. 4 is a right side elevational view, the left side being a mirror image thereof; FIG. 5 is a front elevational view thereof; FIG. 6 is a top plan view thereof; and FIG. 7 is a bottom plan view thereof; FIG. 8 is a front perspective view of a second embodiment thereof; FIG. 9 is an alternate front perspective view thereof; FIG. 10 is a rear elevational view thereof; FIG. 11 is a right side elevational view, the left side being a mirror image thereof; FIG. 12 is a front elevational view thereof; FIG. 13 is a top plan view thereof; and, FIG. 14 is a bottom plan view thereof. FIGS. 1-3, 5-7, 8-10, and 12-14 have been shown broken away to indicate indeterminate length. The broken line showing of a partial drawer and drawer edge, in FIGS. 1 and 8, is for illustrative purposes only and forms no part of the claimed design.

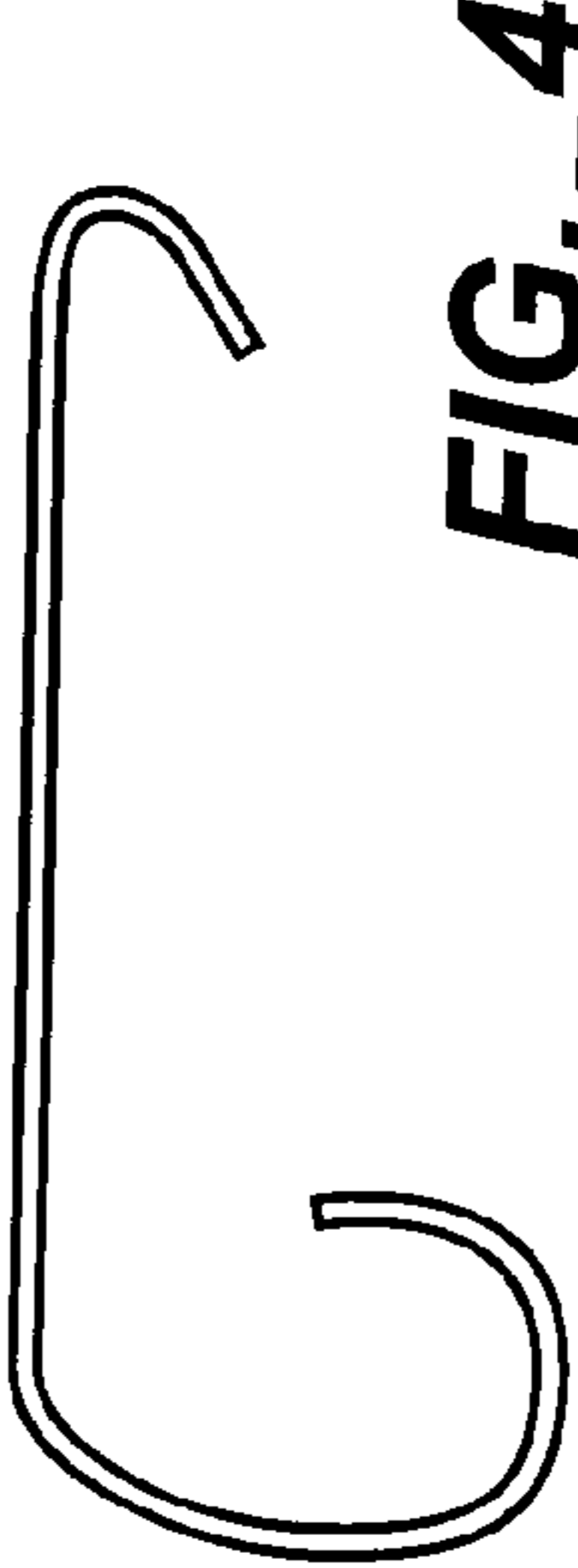
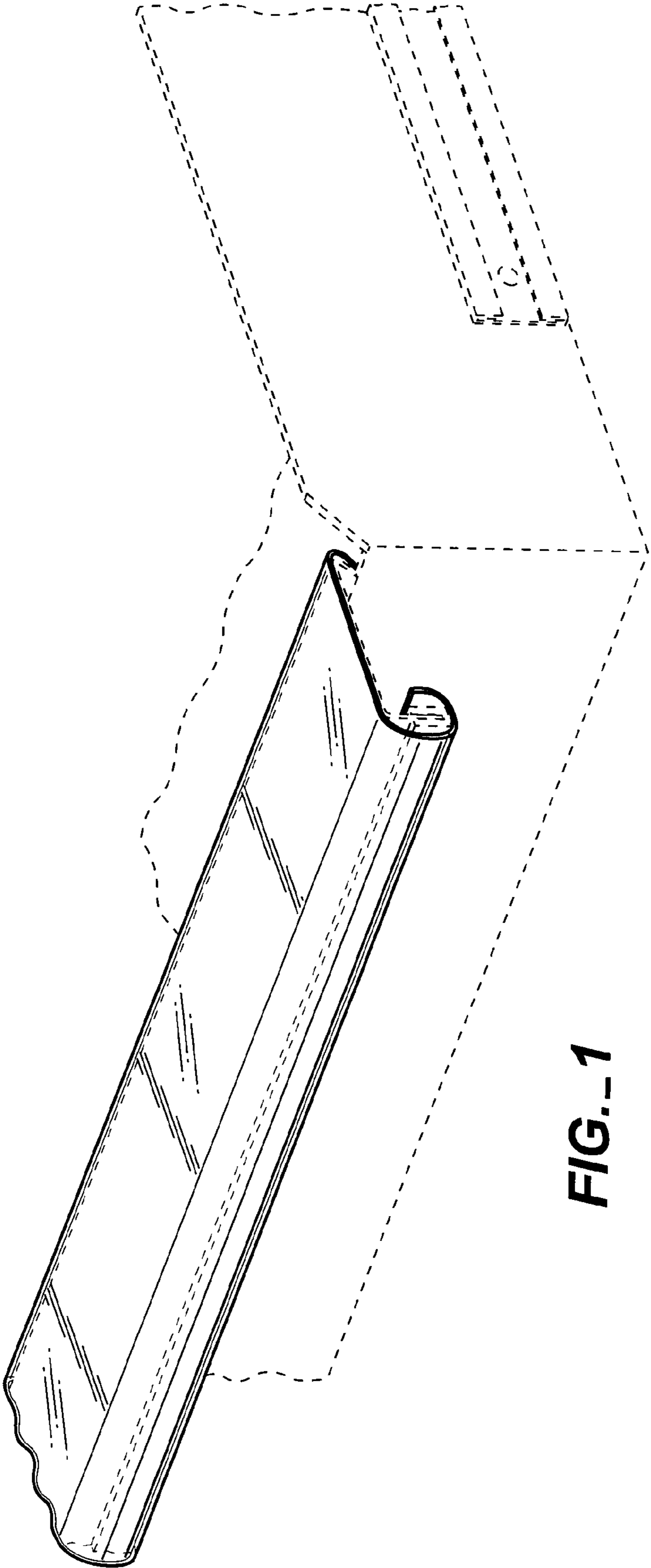
(56) **References Cited**

**U.S. PATENT DOCUMENTS**

1,805,584	A	5/1931	Kemp	
D218,080	S	* 7/1970	Sierzega	..... D3/905
3,646,634	A	* 3/1972	Fusselman	..... 312/330.1
4,883,332	A	11/1989	Hadad	
D331,010	S	11/1992	Garner	
D336,687	S	* 6/1993	Schremmer	..... D6/491
5,292,191	A	3/1994	Slivon	
5,388,902	A	2/1995	Huebschen et al.	
5,682,698	A	* 11/1997	Bevins	..... 40/661.03
5,730,511	A	3/1998	Doan et al.	
5,733,026	A	* 3/1998	Munachen	..... 312/334.44
5,951,133	A	9/1999	Dittberner et al.	
5,997,118	A	12/1999	McBrayer et al.	
6,007,172	A	12/1999	Shufelt et al.	
6,099,099	A	8/2000	Shufelt et al.	

**1 Claim, 8 Drawing Sheets**





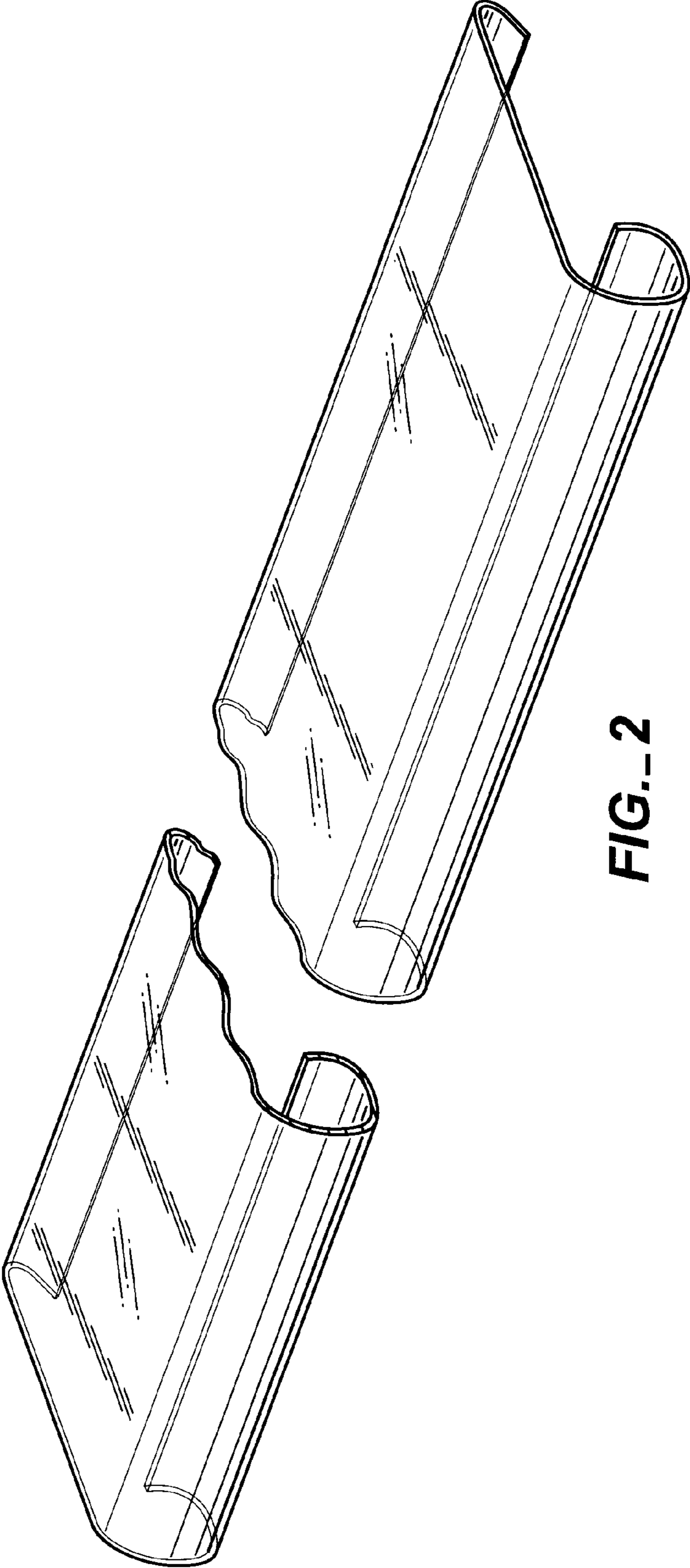
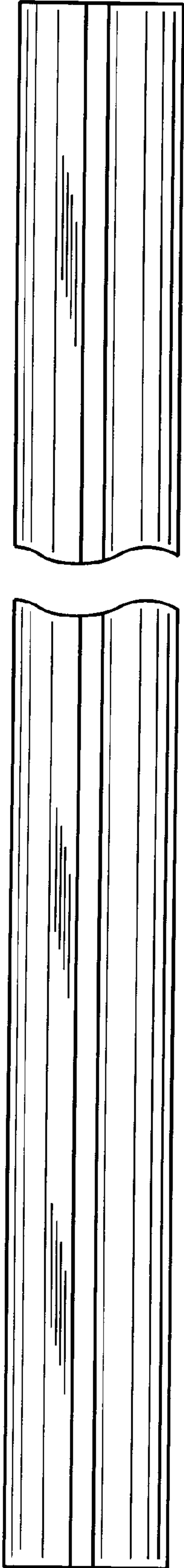
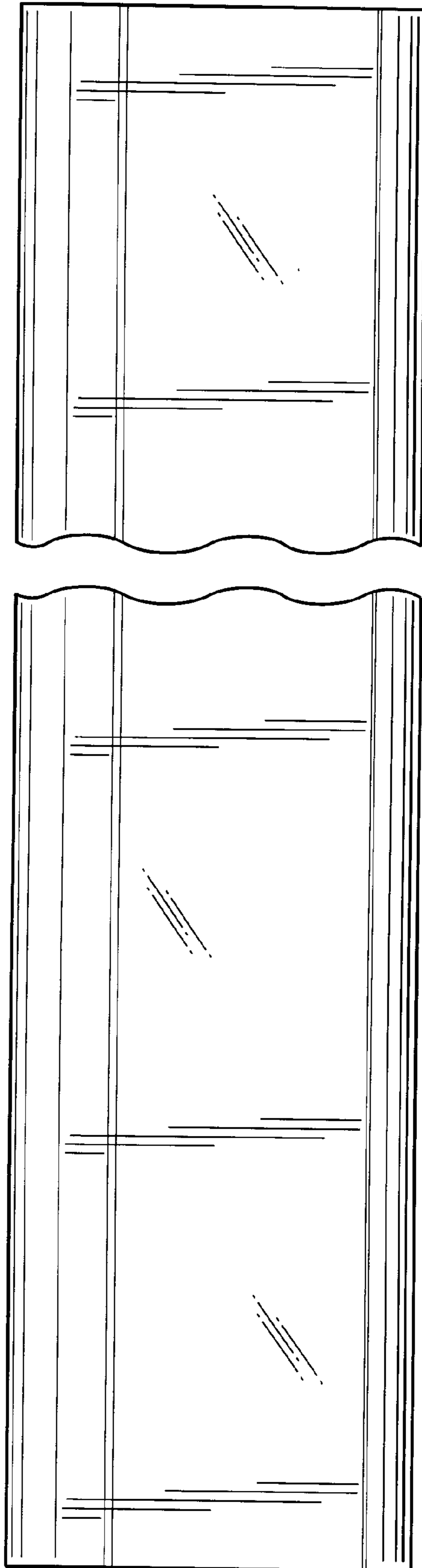


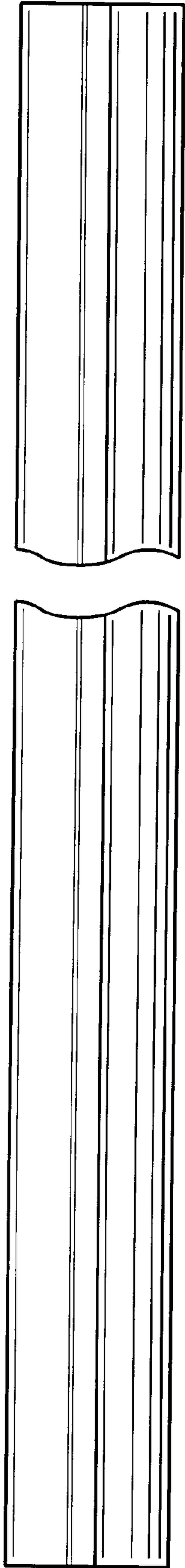
FIG.- 2



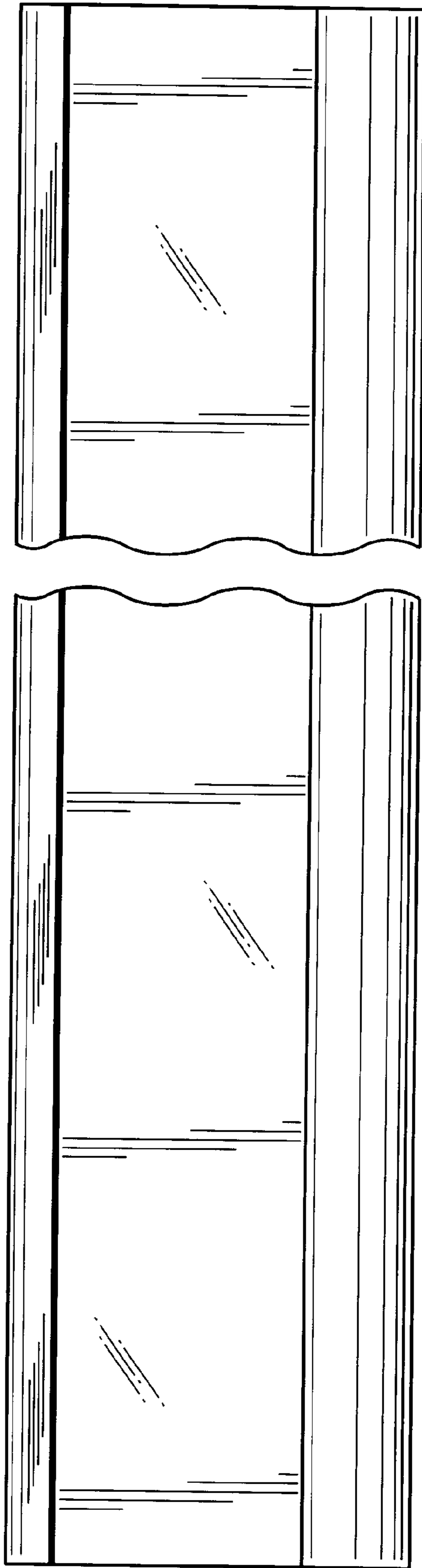
**FIG. 3**



**FIG. 6**



**FIG. 5**



**FIG. 7**

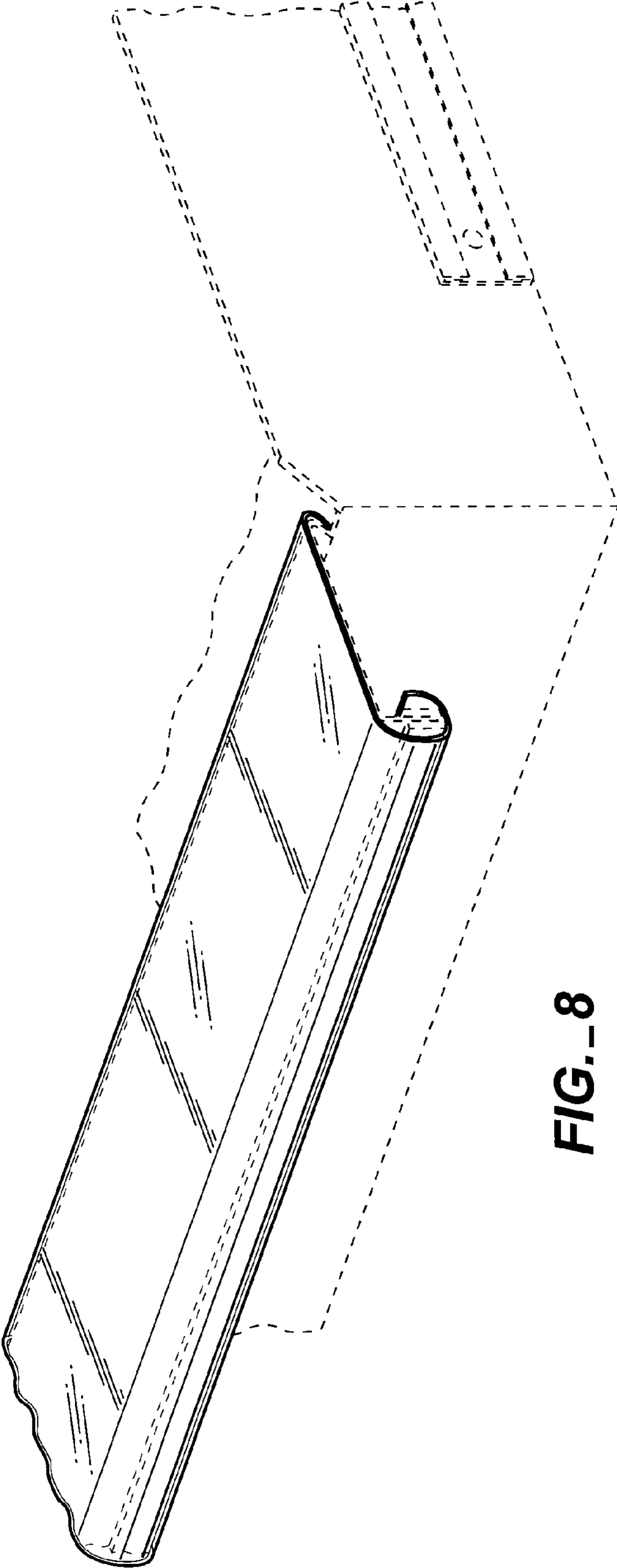


FIG. 8

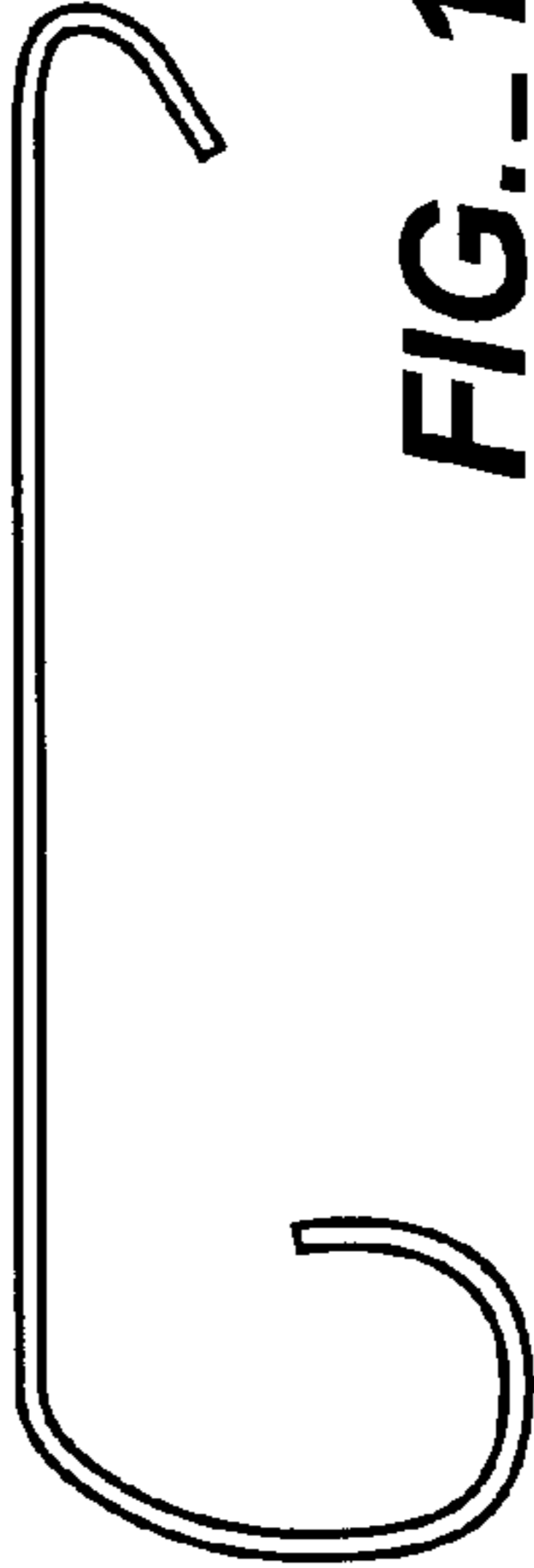


FIG. 11

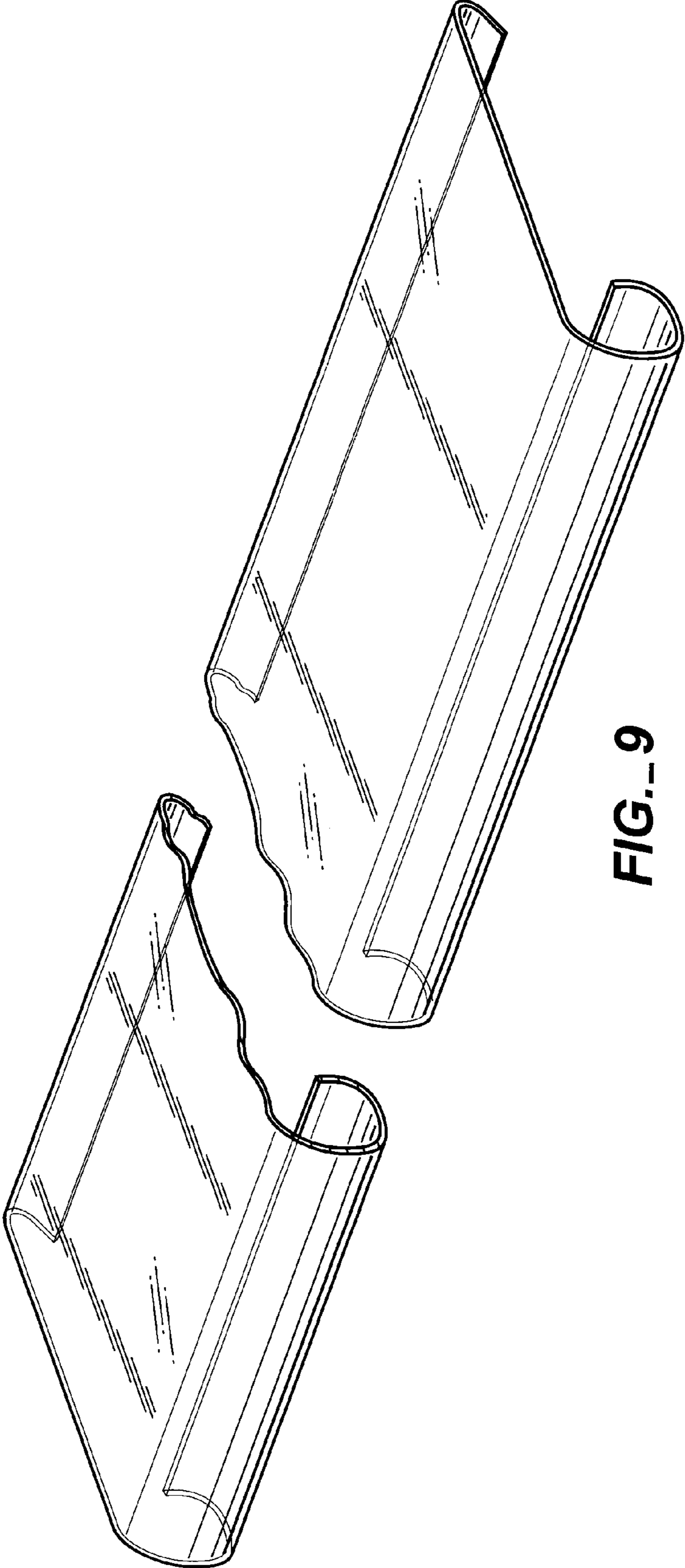
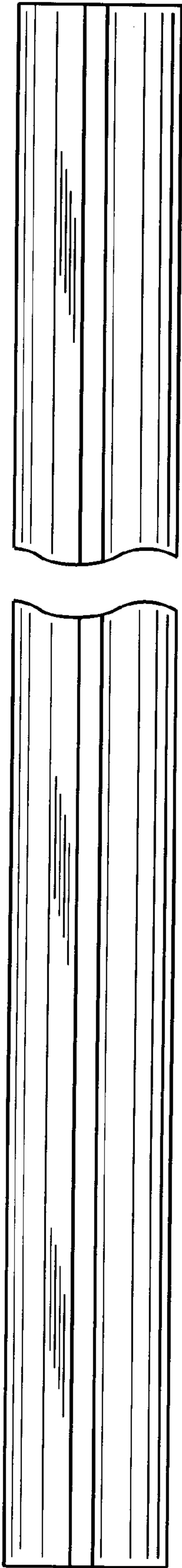
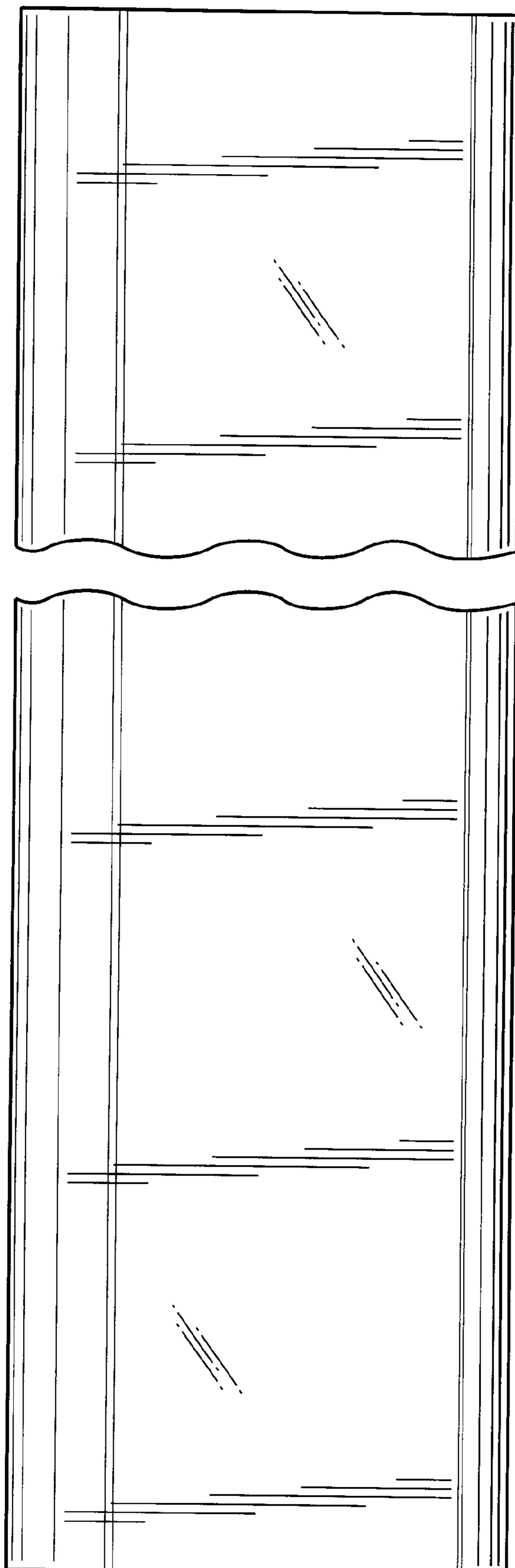


FIG. 9

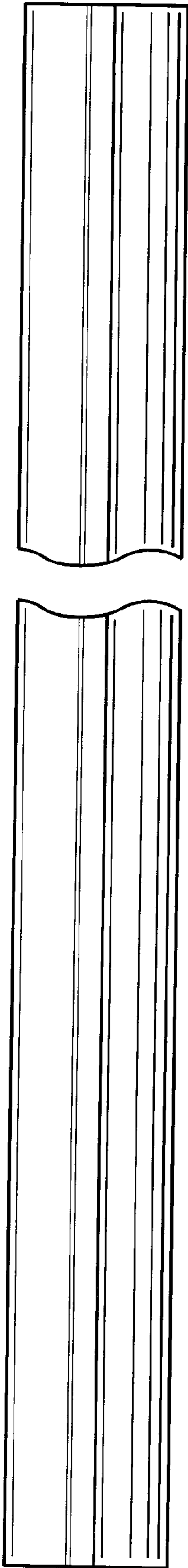


**FIG. 10**

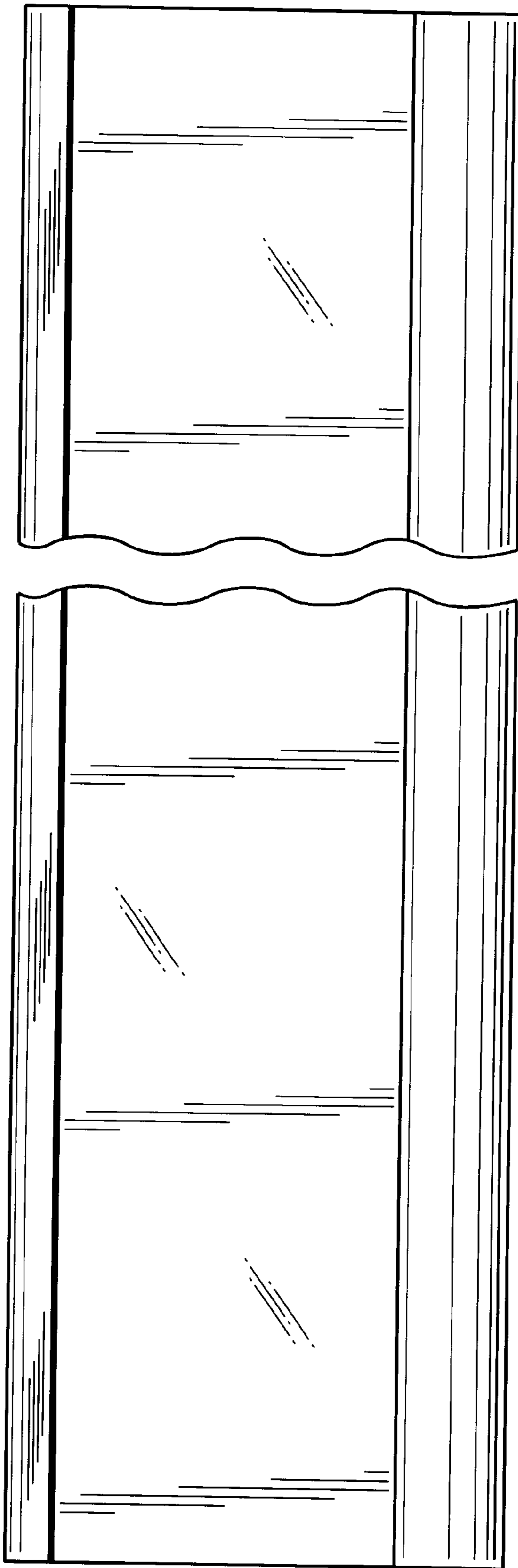


**FIG. 13**





**FIG. 12**



**FIG. 14**