



US00D529290S

(12) **United States Design Patent**
Schloss

(10) **Patent No.:** **US D529,290 S**

(45) **Date of Patent:** **** Oct. 3, 2006**

(54) **TOOLBOX DRAWER EDGE GUARD**

(76) Inventor: **Ben Schloss**, c/o SF Enterprises, 1201 Old County Rd., Unit #4, Belmont, CA (US) 94002

(**) Term: **14 Years**

(21) Appl. No.: **29/214,538**

(22) Filed: **Oct. 4, 2004**

(51) **LOC (8) Cl.** **03-01**

(52) **U.S. Cl.** **D3/318**

(58) **Field of Classification Search** D3/294, D3/295, 296, 297, 298, 318, 319, 321, 323, D3/905; D6/439, 445, 491, 492; D34/19; 312/215, 271, 289, 290, 301, 328, 330.1, 312/332, 334.1, 334.7, 350, 351, 332.1, 334.44, 312/348.4, 400; 40/666, 661.03; D8/403
See application file for complete search history.

(56) **References Cited**

U.S. PATENT DOCUMENTS

1,805,584 A	5/1931	Kemp	
D218,080 S	* 7/1970	Sierzega	D3/905
3,646,634 A	* 3/1972	Fusselman	312/330.1
4,883,332 A	11/1989	Hadad	
D331,010 S	11/1992	Garner	
D336,687 S	* 6/1993	Schremmer	D6/491
5,292,191 A	3/1994	Slivon	
5,388,902 A	2/1995	Huebschen et al.	
5,682,698 A	* 11/1997	Bevins	40/661.03
5,730,511 A	3/1998	Doan et al.	
5,733,026 A	* 3/1998	Munachen	312/334.44
5,951,133 A	9/1999	Dittberner et al.	
5,997,118 A	12/1999	McBrayer et al.	
6,007,172 A	12/1999	Shufelt et al.	
6,099,099 A	8/2000	Shufelt et al.	
D463,170 S	* 9/2002	Schultz	D6/491

* cited by examiner

Primary Examiner—Louis S. Zarfes

Assistant Examiner—Monica A. Weingart

(74) *Attorney, Agent, or Firm*—Charles R. Cypher; Law Offices of James R. Cypher

(57) **CLAIM**

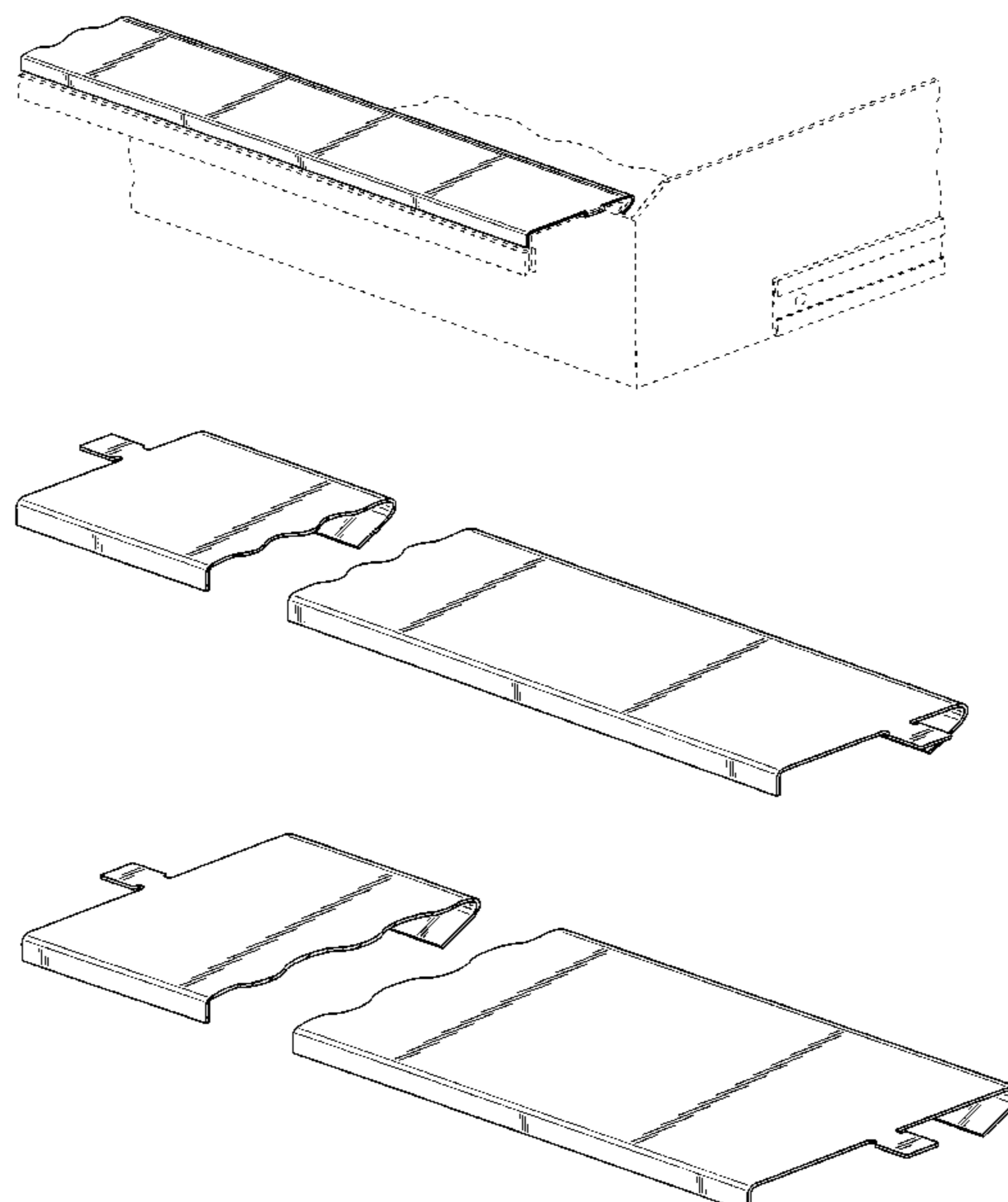
The ornamental design for a toolbox drawer edge guard, as shown and described.

DESCRIPTION

FIG. 1 is a front perspective view of a toolbox drawer edge guard mounted on a drawer showing my new design; FIG. 2 is an alternate front perspective view thereof; FIG. 3 is a rear elevational view thereof; FIG. 4 is a right side elevational view, the left side being a mirror image thereof; FIG. 5 is front elevational view thereof; FIG. 6 is a top plan view thereof; and FIG. 7 is a bottom plan view thereof; FIG. 8 is a front perspective view of a second embodiment mounted on a drawer thereof; FIG. 9 is an alternate front perspective view thereof; FIG. 10 is a rear elevational view thereof; FIG. 11 is a right side elevational view, the left side being a mirror image thereof; FIG. 12 is a front elevational view thereof; FIG. 13 is a top plan view thereof; and, FIG. 14 is a bottom plan view thereof. FIGS. 1–3, 5–7, 8–10, and 12–14 have been shown broken away to indicate indeterminate length.

The broken line showing of a partial drawer and drawer edge, in FIGS. 1 and 8, is for illustrative purposes only and forms no part of the claimed design.

1 Claim, 8 Drawing Sheets



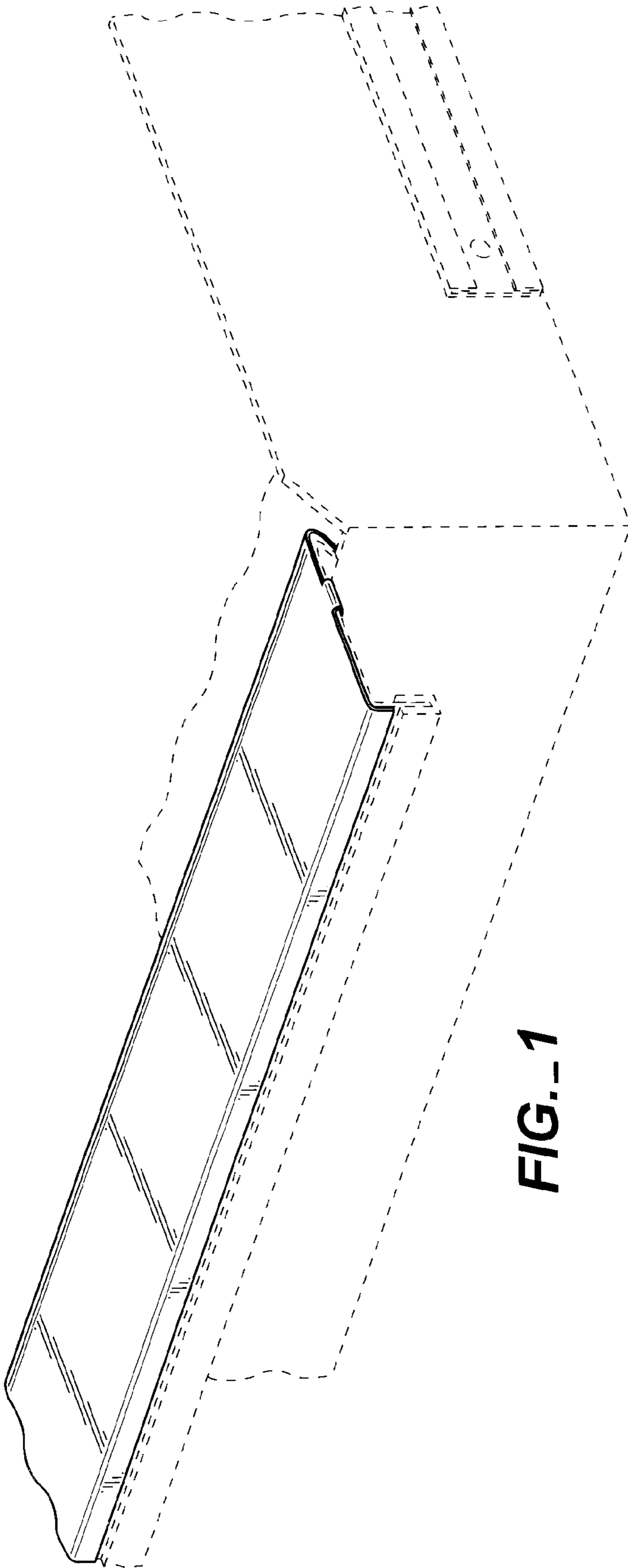


FIG. 1

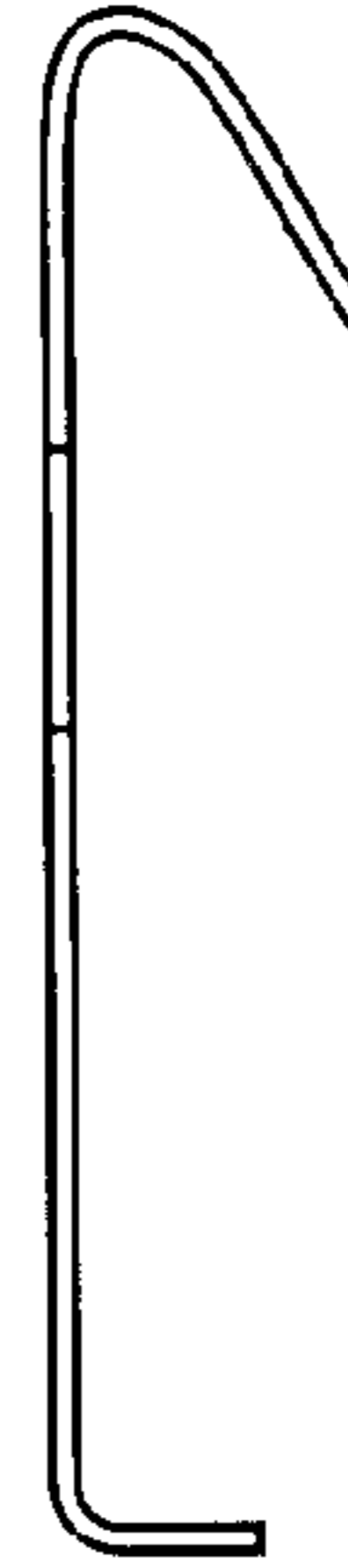


FIG. 4

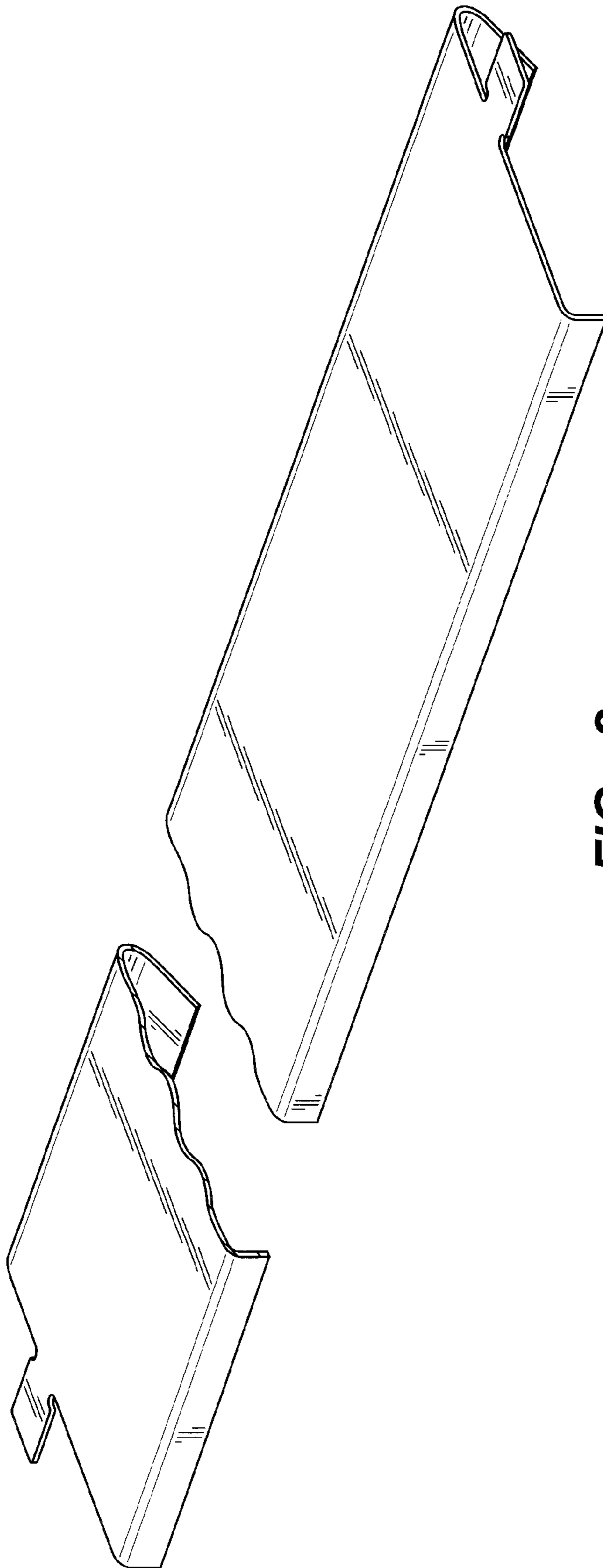


FIG. 2

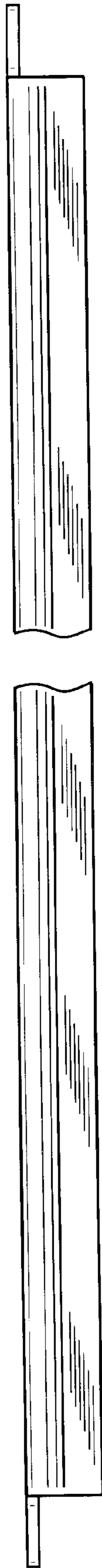


FIG. 3

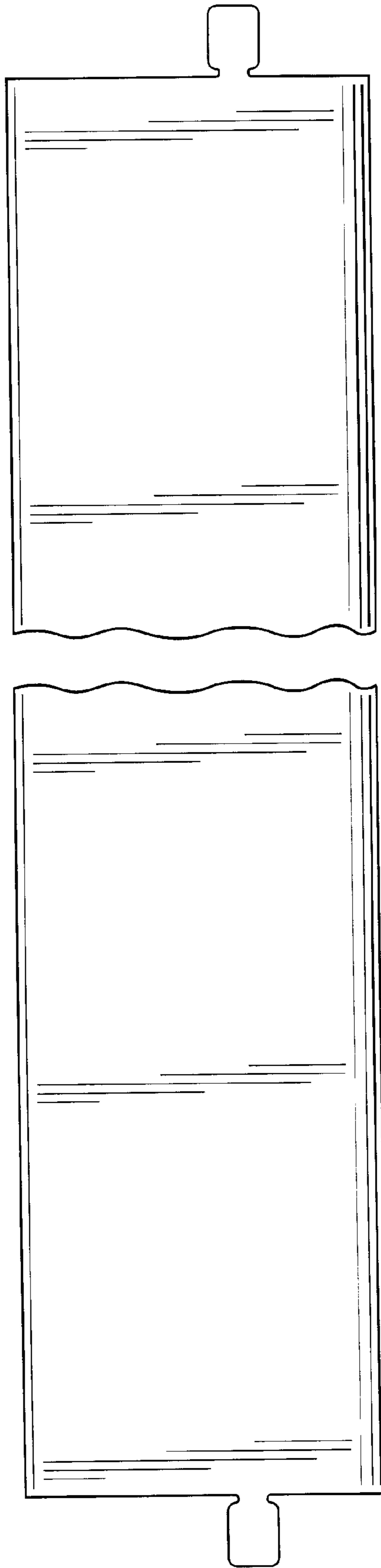


FIG. 6

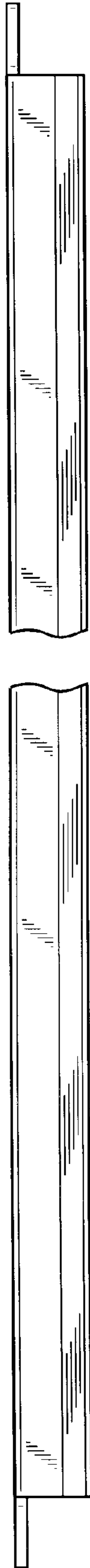


FIG. 5

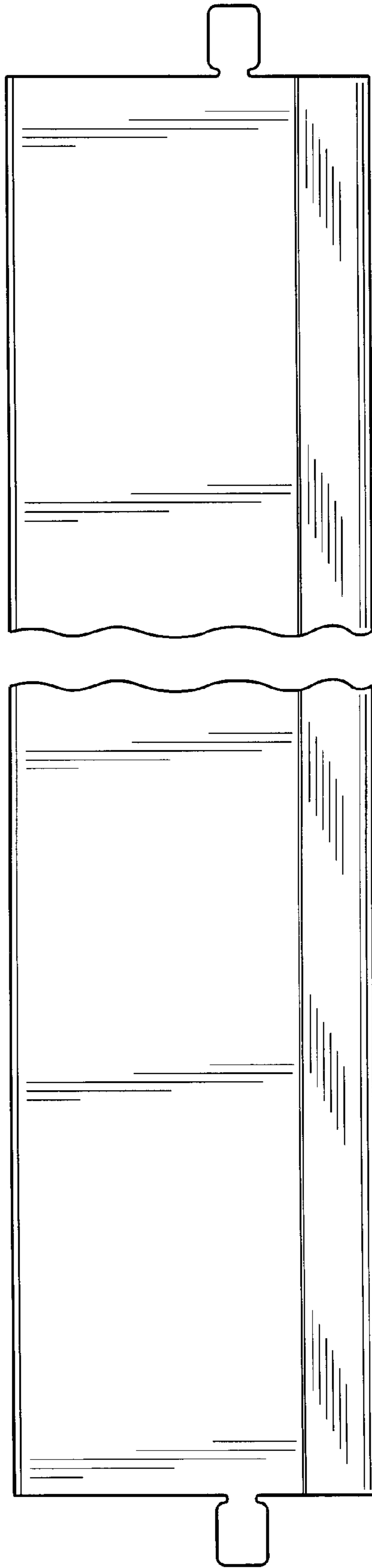


FIG. 7

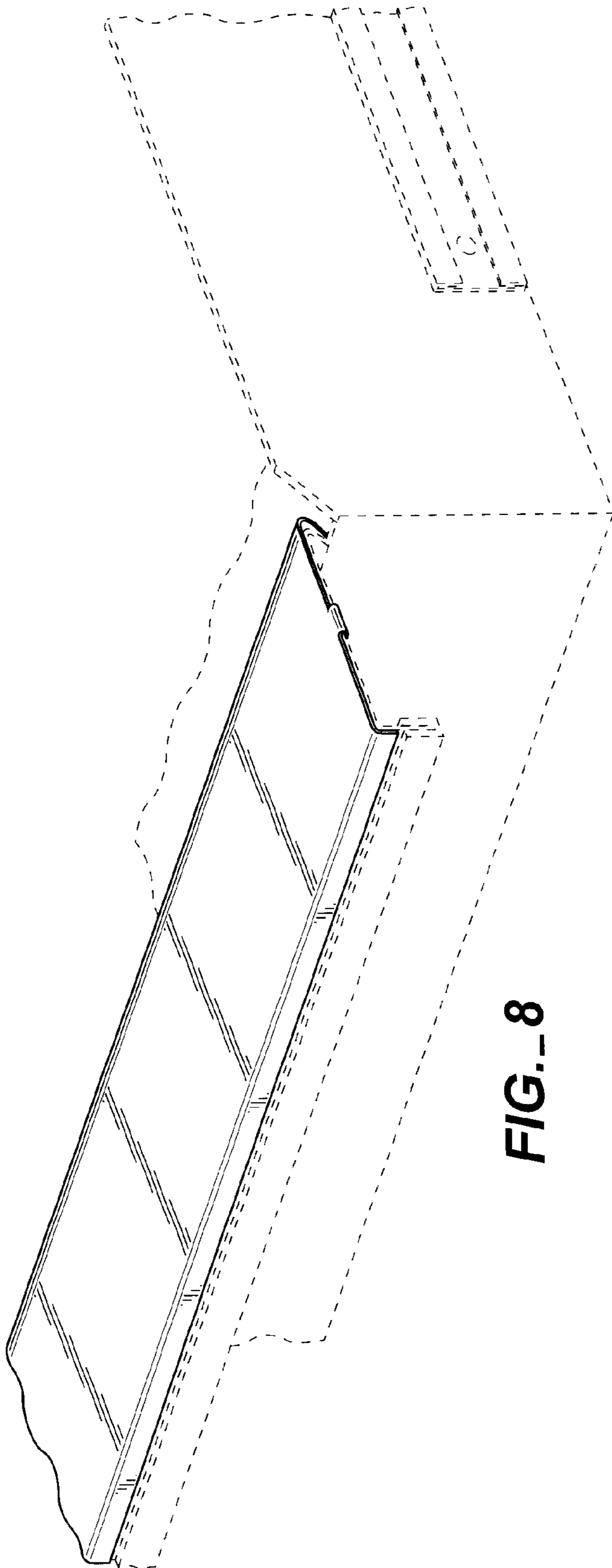


FIG. 8

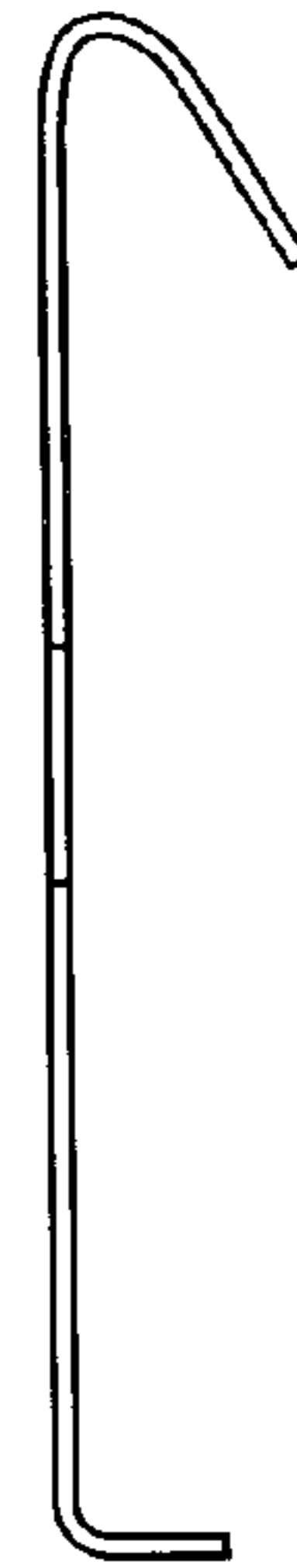


FIG. 11

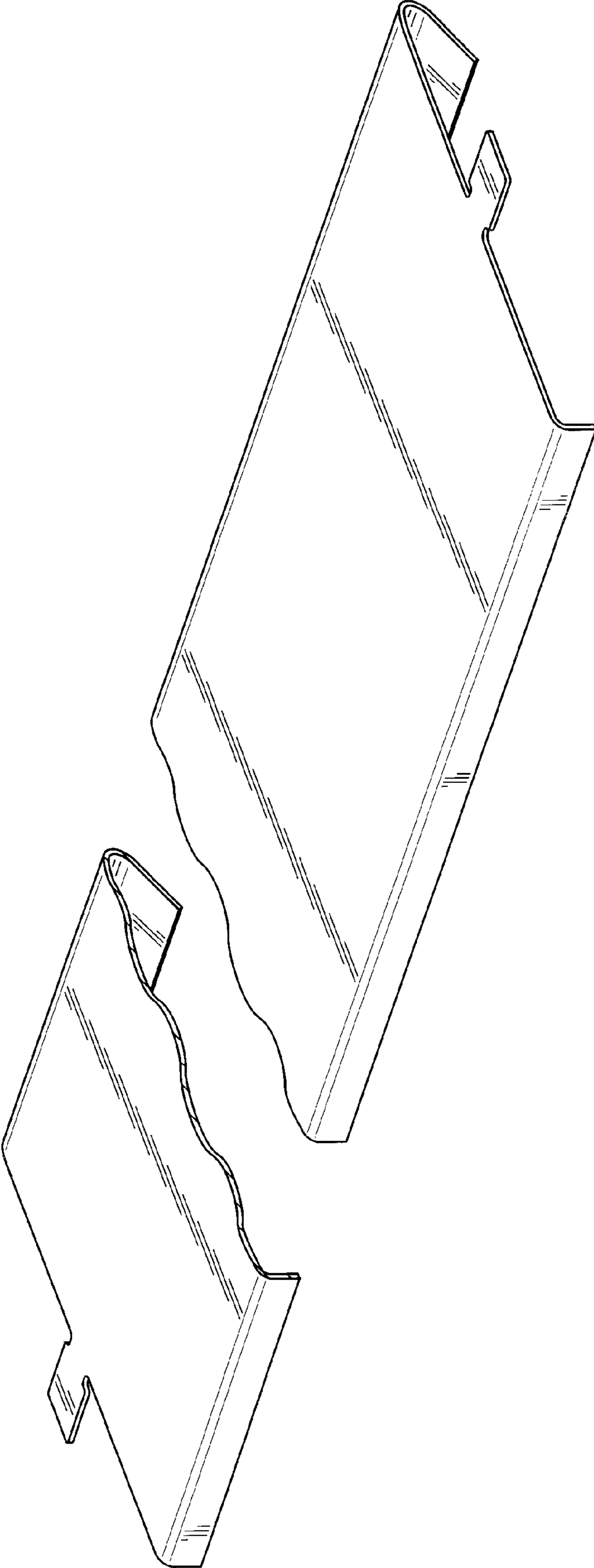


FIG.- 9

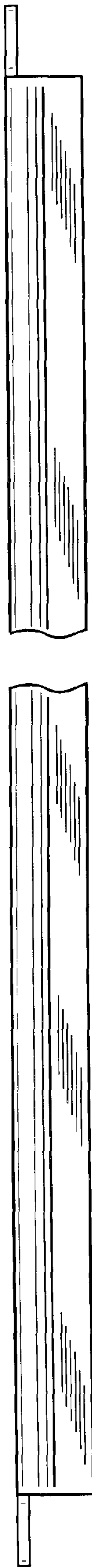


FIG. 10

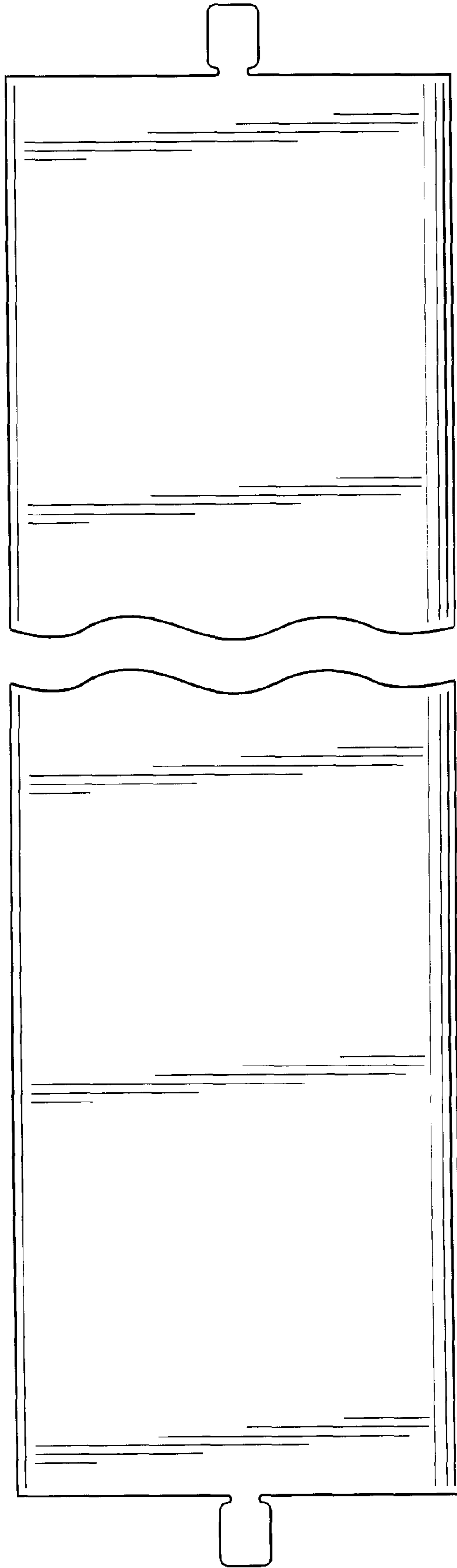


FIG. 13

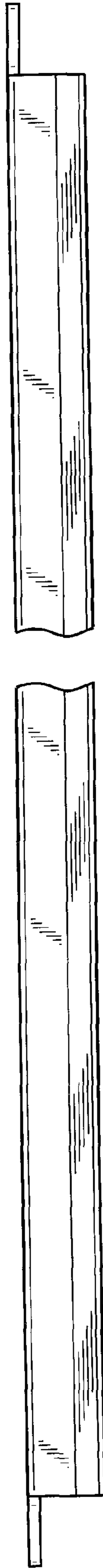


FIG. 12

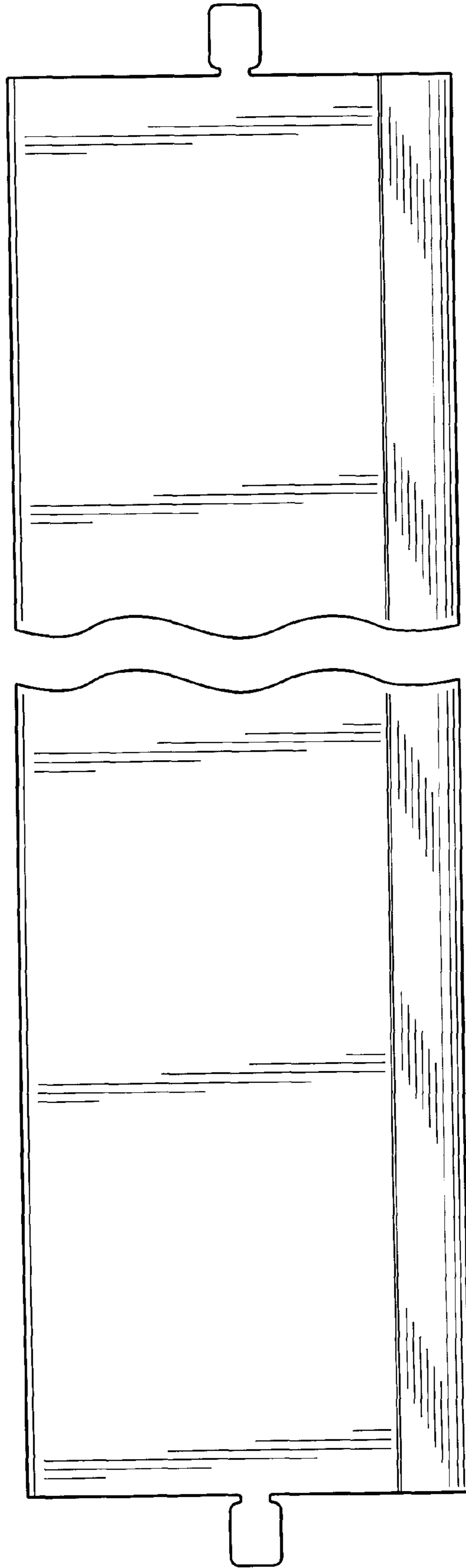


FIG. 14