

US00D529289S

(12) **United States Design Patent**
Roesler

(10) **Patent No.:** **US D529,289 S**

(45) **Date of Patent:** **** Oct. 3, 2006**

(54) **DRILL STORAGE CASE**

(76) Inventor: **Peter Roesler**, Ifenweg 3, D-88239
Wangen/Allgau (DE)

(**) Term: **14 Years**

(21) Appl. No.: **29/234,796**

(22) Filed: **Jul. 22, 2005**

(30) **Foreign Application Priority Data**

Jan. 28, 2005 (EP) 000287289

(51) **LOC (8) Cl.** **03-01**

(52) **U.S. Cl.** **D3/294; D3/295; D3/905**

(58) **Field of Classification Search** D3/273,
D3/281, 282, 294, 295, 296, 905; 206/349,
206/372, 373, 379; 312/902

See application file for complete search history.

(56) **References Cited**

U.S. PATENT DOCUMENTS

- 4,660,719 A * 4/1987 Peterson et al. 206/379
- 5,746,316 A * 5/1998 La Barre 206/379
- D417,077 S * 11/1999 Sheu D3/294
- D443,415 S * 6/2001 Hung D3/273
- D447,634 S * 9/2001 Snider D3/294
- 6,283,291 B1 * 9/2001 Vasudeva et al. 206/373
- D449,931 S * 11/2001 Snider D3/294

- D477,714 S * 7/2003 Cunningham et al. D3/273
- D481,868 S * 11/2003 Cunningham et al. D3/273
- D502,316 S * 3/2005 Chen D3/273

* cited by examiner

Primary Examiner—Philip S. Hyder

(74) *Attorney, Agent, or Firm*—Frederick L. Tolhurst, Esq.;
Cohen & Grigsby, P.C.

(57) **CLAIM**

The ornamental design for a drill storage case, as shown.

DESCRIPTION

FIG. 1 is a perspective view of the drill storage case in closed position showing my new design.

FIG. 2 is an end view of the drill storage case showing my new design.

FIG. 3 is a top view of the drill storage case showing my new design.

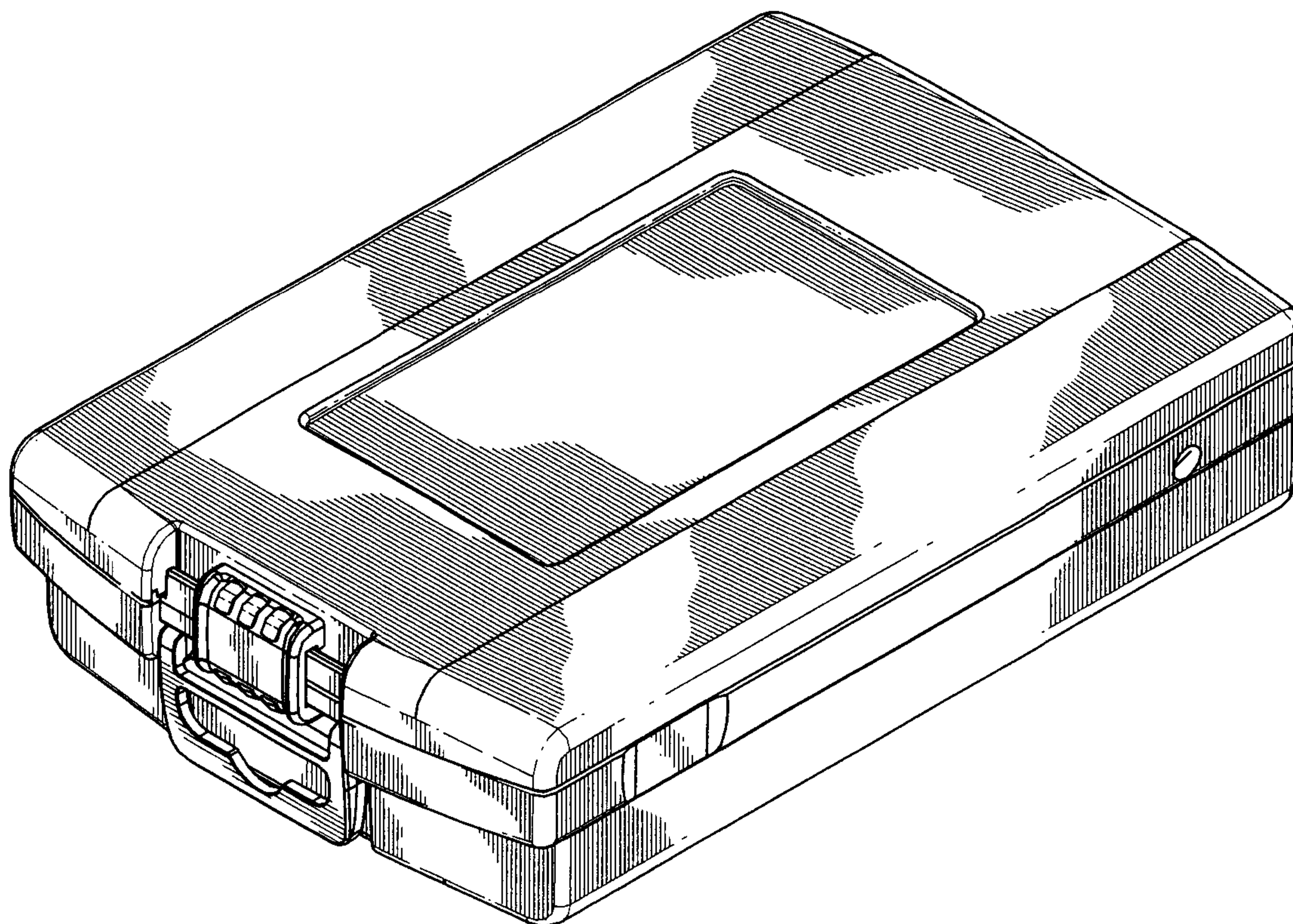
FIG. 4 is a bottom view of the drill storage case showing my new design.

FIG. 5 is an end view of the drill storage case showing my new design.

FIG. 6 is a side view of the drill storage case showing my new design; and,

FIG. 7 is a perspective view of the drill storage case showing my new design in an open position.

1 Claim, 4 Drawing Sheets



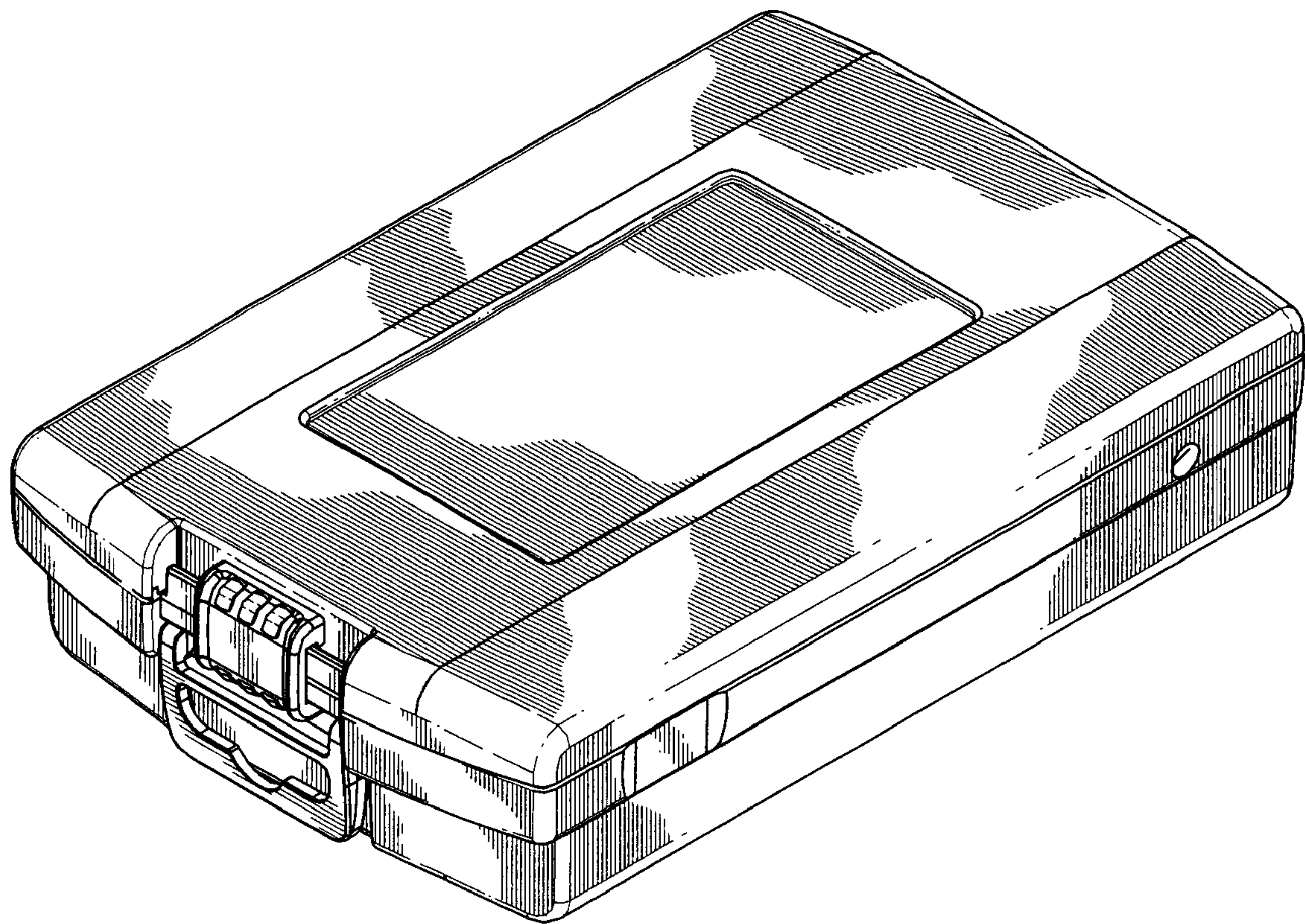


FIG. 1

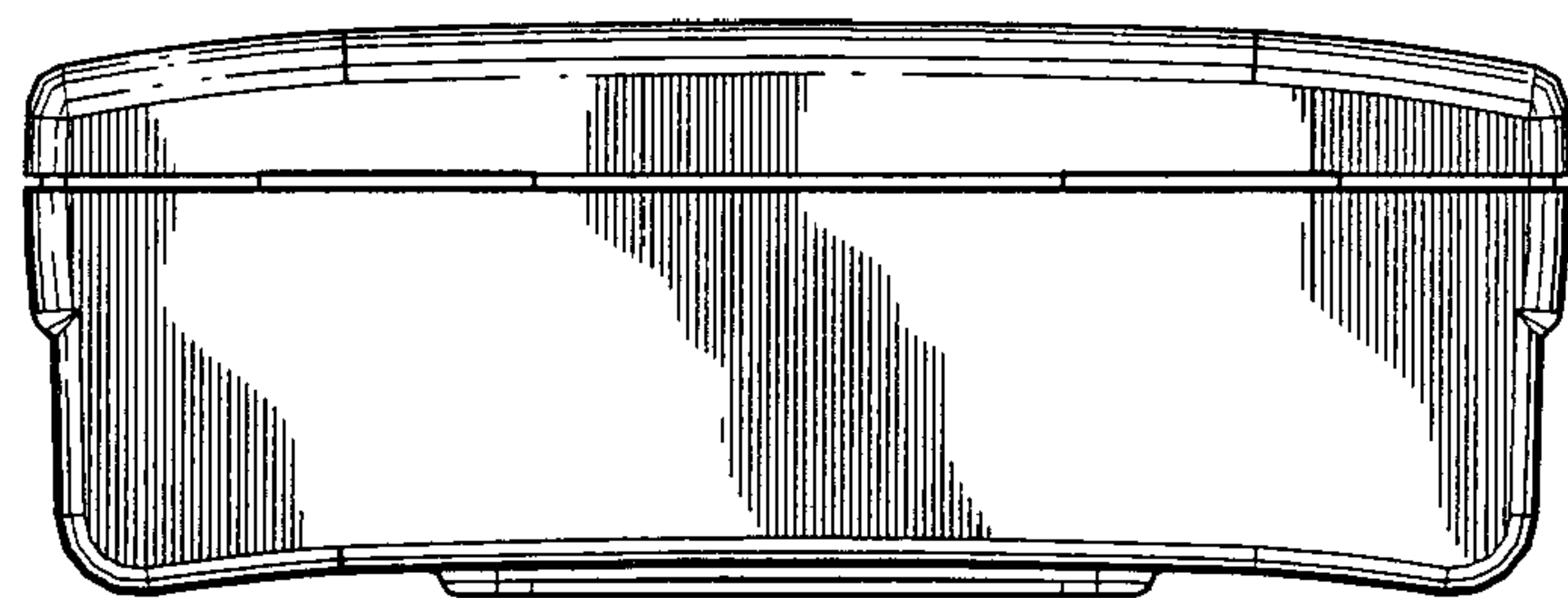


FIG. 2

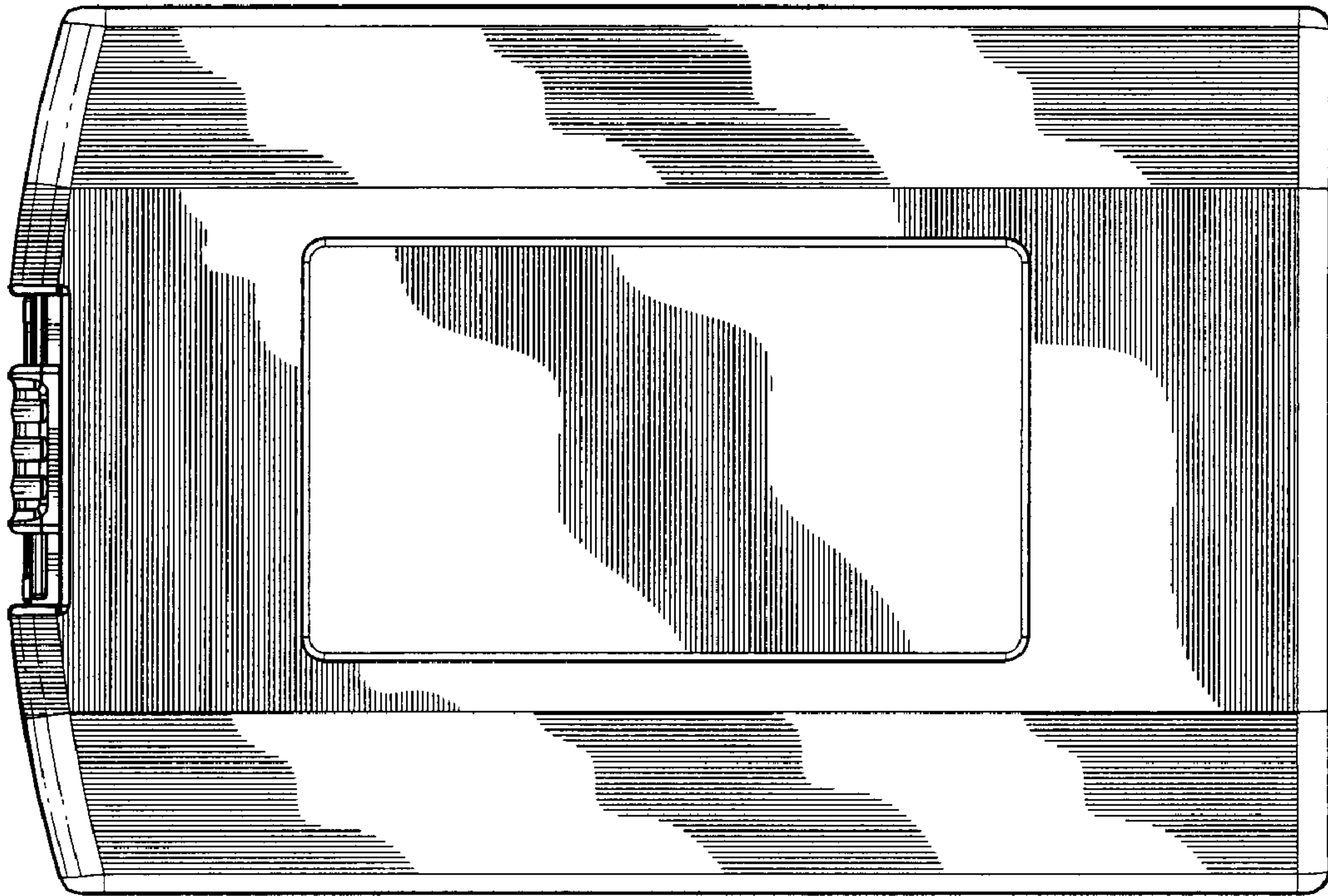


FIG. 3

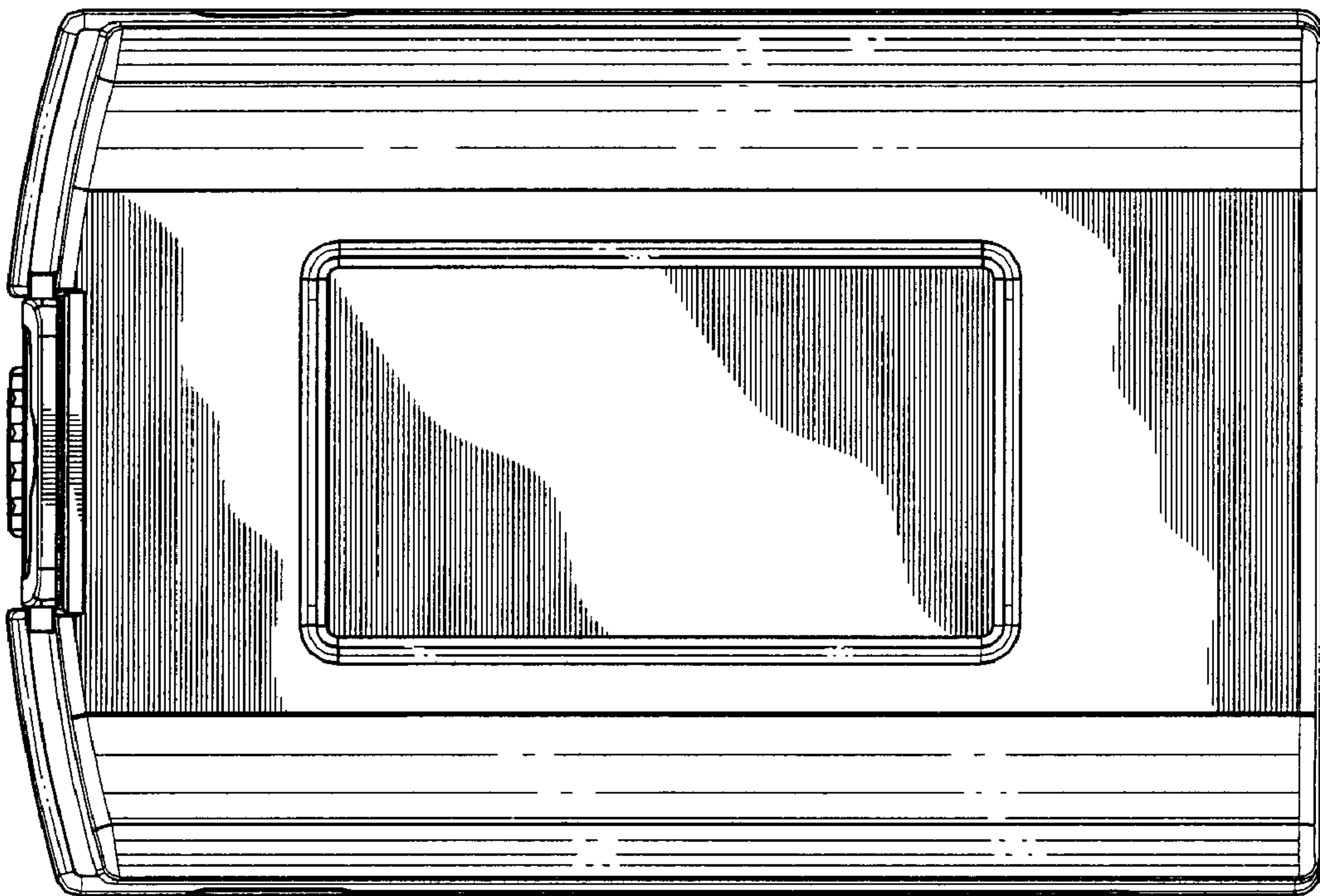


FIG. 4

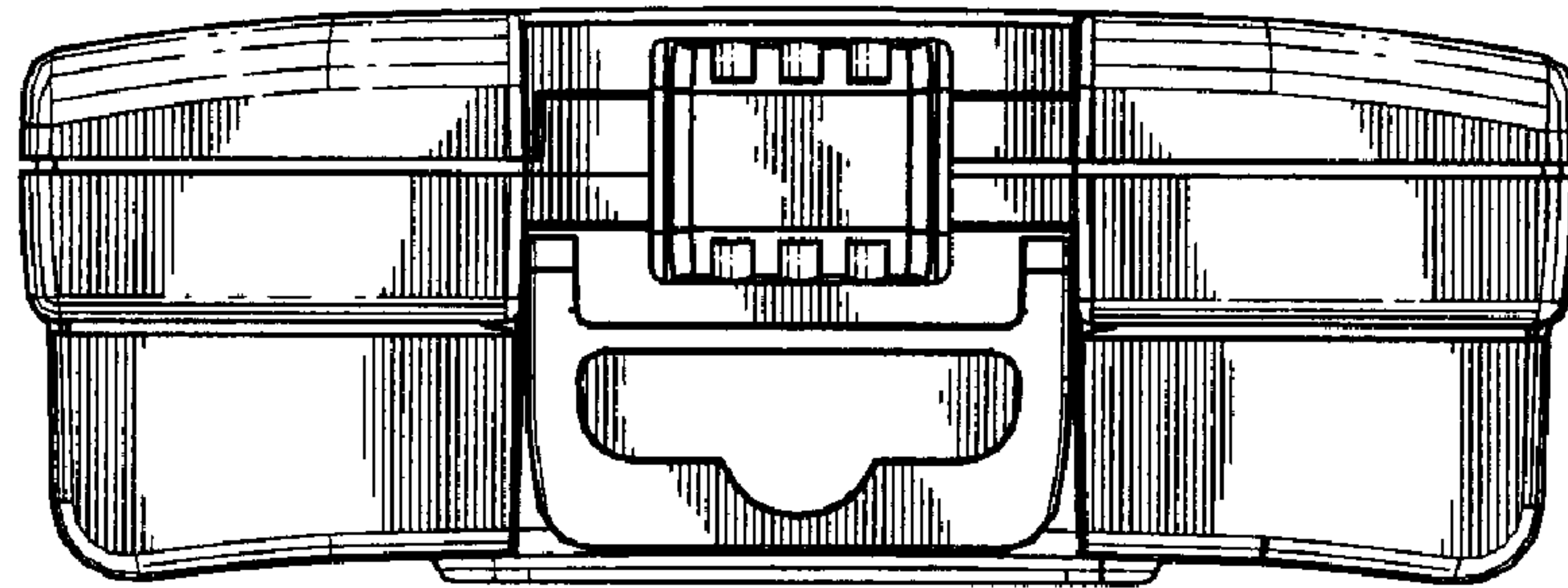


FIG. 5

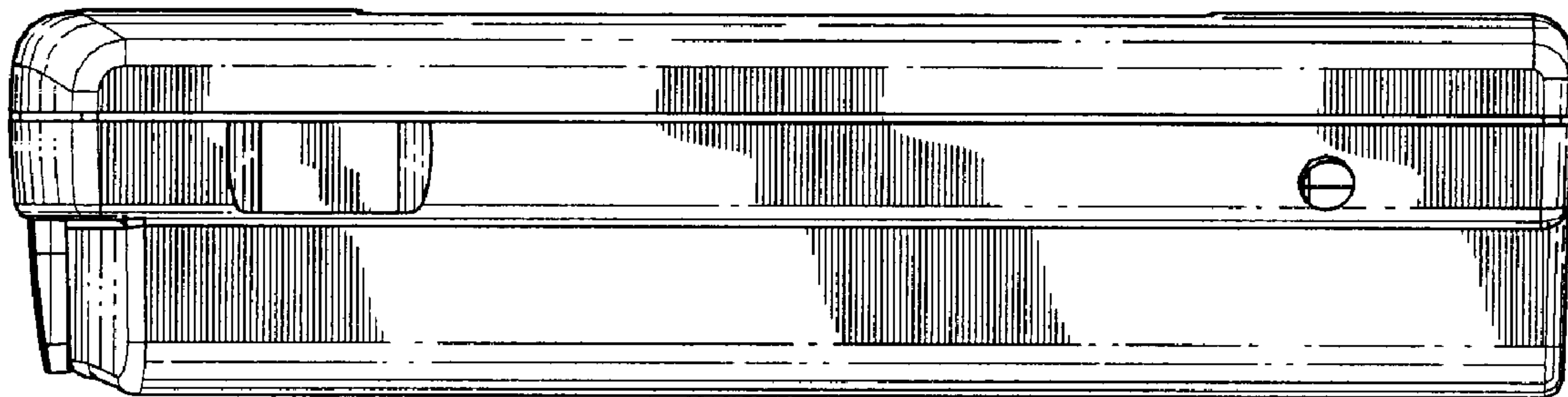


FIG. 6

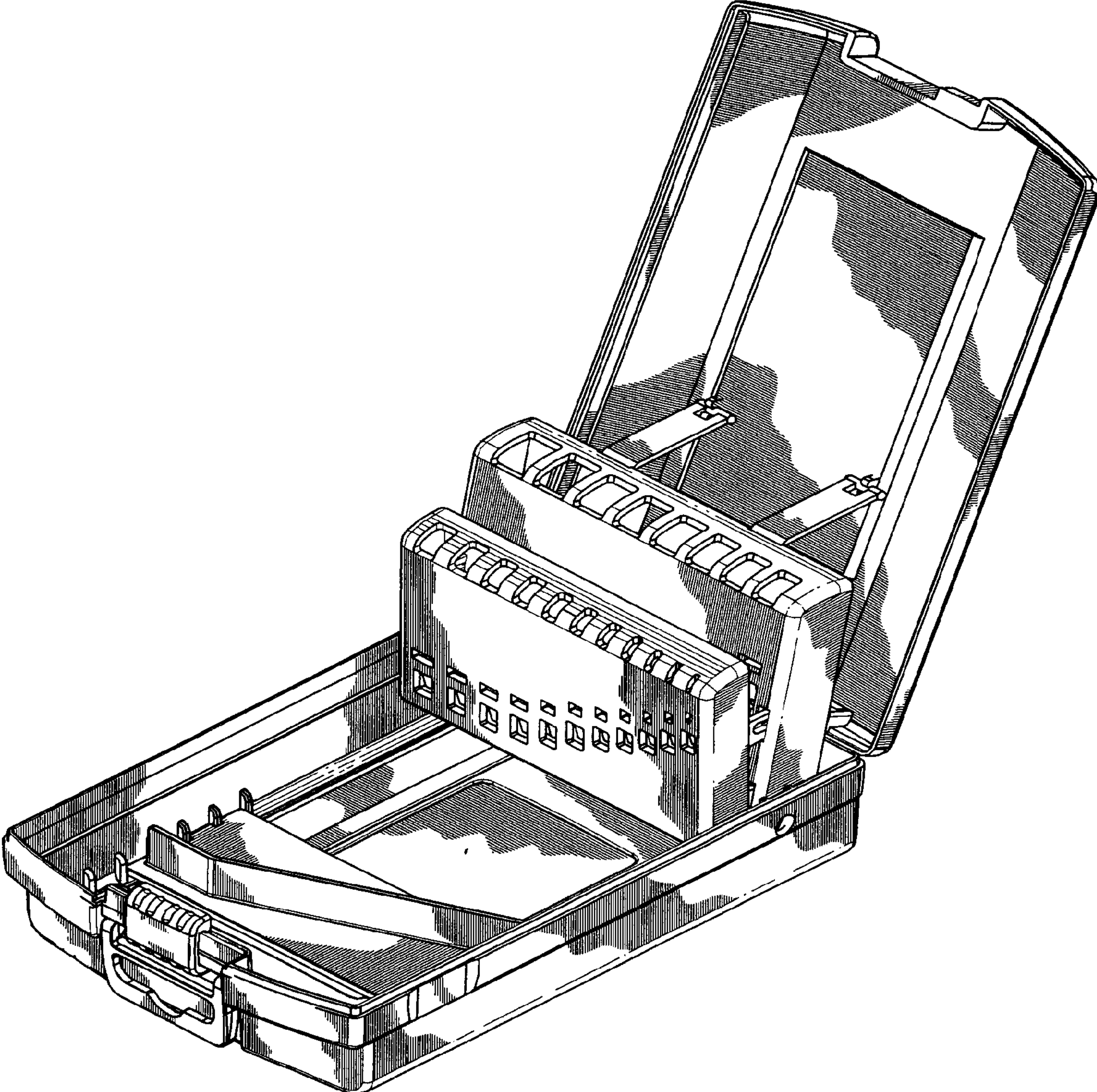


FIG. 7