



US00D529288S

(12) **United States Design Patent**
Ham

(10) **Patent No.:** **US D529,288 S**

(45) **Date of Patent:** **** Oct. 3, 2006**

(54) **CARRYING CASE FOR COMMUNICATIONS HEADSET SYSTEM**

(76) Inventor: **Soohyun Ham**, 525 Gough St, San Francisco, CA (US) 94102

(**) Term: **14 Years**

(21) Appl. No.: **29/225,102**

(22) Filed: **Mar. 9, 2005**

(51) **LOC (8) Cl.** **03-01**

(52) **U.S. Cl.** **D3/294; D3/274**

(58) **Field of Classification Search** D3/20, D3/201, 203.1, 203.3, 203.6–203.8, 205–206, D3/218, 221, 273–274, 294–295, 901, 903, D3/905; D9/423–424, 432; 206/207, 823
See application file for complete search history.

(56) **References Cited**

U.S. PATENT DOCUMENTS

D206,109 S	*	10/1966	Aylott	D9/423
D306,234 S	*	2/1990	Ferstl	D19/75
D306,235 S	*	2/1990	Tamamura	D3/295
D318,934 S	*	8/1991	Embrey	D28/61
D321,284 S	*	11/1991	Marsella et al.	D3/295
D327,363 S	*	6/1992	Farb	D3/203.1
D352,601 S	*	11/1994	Dallaire	D3/212
D369,295 S	*	4/1996	Kobari et al.	D9/423
D431,902 S	*	10/2000	Mellin	D3/203.1

D469,955 S	*	2/2003	Lauer	D3/294
D487,192 S	*	3/2004	Farnham et al.	D3/294
D496,585 S	*	9/2004	McBride et al.	D9/423
D506,065 S	*	6/2005	Sugino et al.	D3/294

* cited by examiner

Primary Examiner—Philip S. Hyder

Assistant Examiner—RoseLynne Ulm Cody

(74) *Attorney, Agent, or Firm*—Jung-hua Kuo

(57) **CLAIM**

The ornamental design for a carrying case for a communications headset system, as shown and described.

DESCRIPTION

This is related to co-pending U.S. Design patent application Ser. No. 29/225,024, entitled “Carrying Case” by applicant Soohyun Ham filed concurrently herewith.

FIG. 1 is a left side elevational view of an open carrying case for a communications headset system.

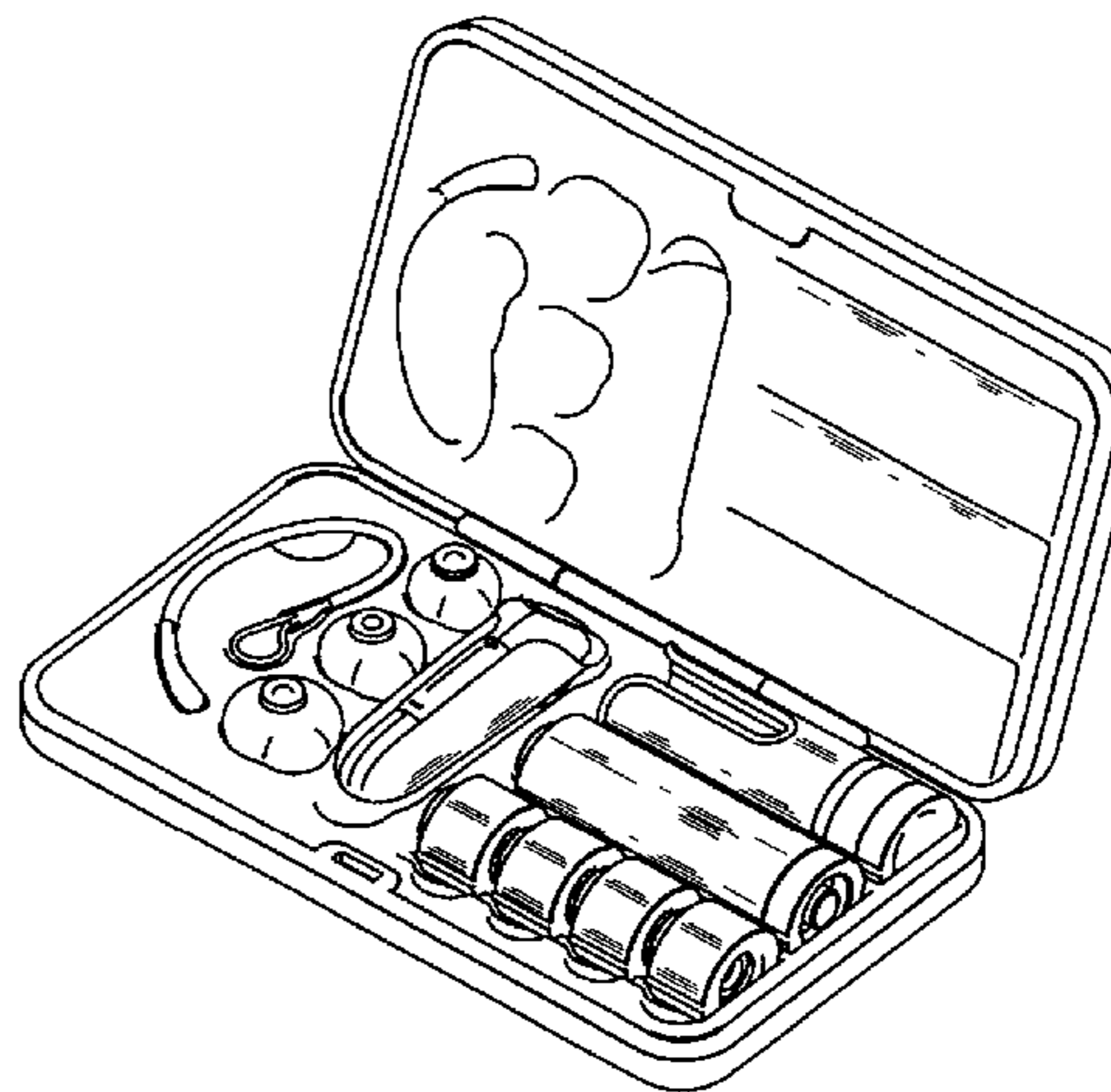
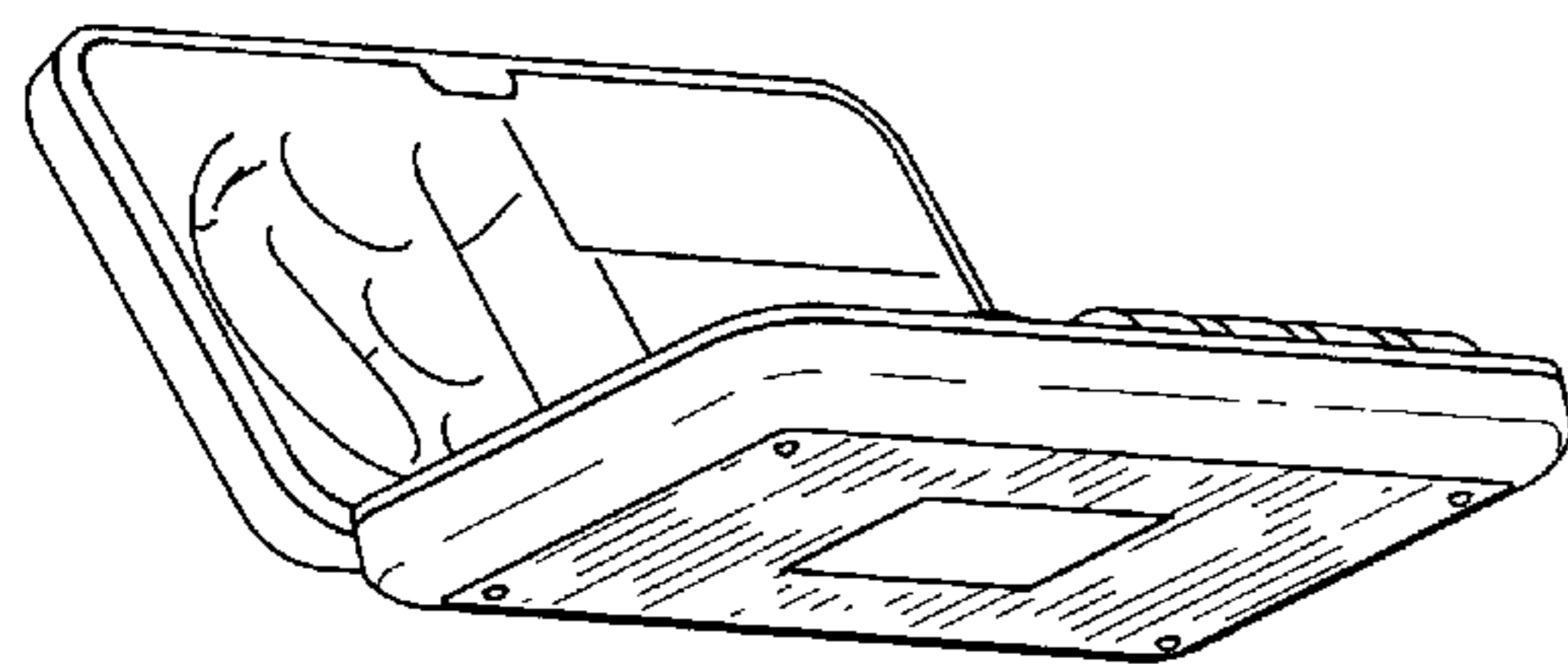
FIG. 2 is a lower front left perspective view of the open carrying case.

FIG. 3 is a top plan view of the open carrying case; and,

FIG. 4 is an upper front right perspective view of the open carrying case.

The broken line showing of FIG. 2, FIG. 3 and FIG. 4 is for illustrative purposes only and forms no part of the claimed design.

1 Claim, 2 Drawing Sheets



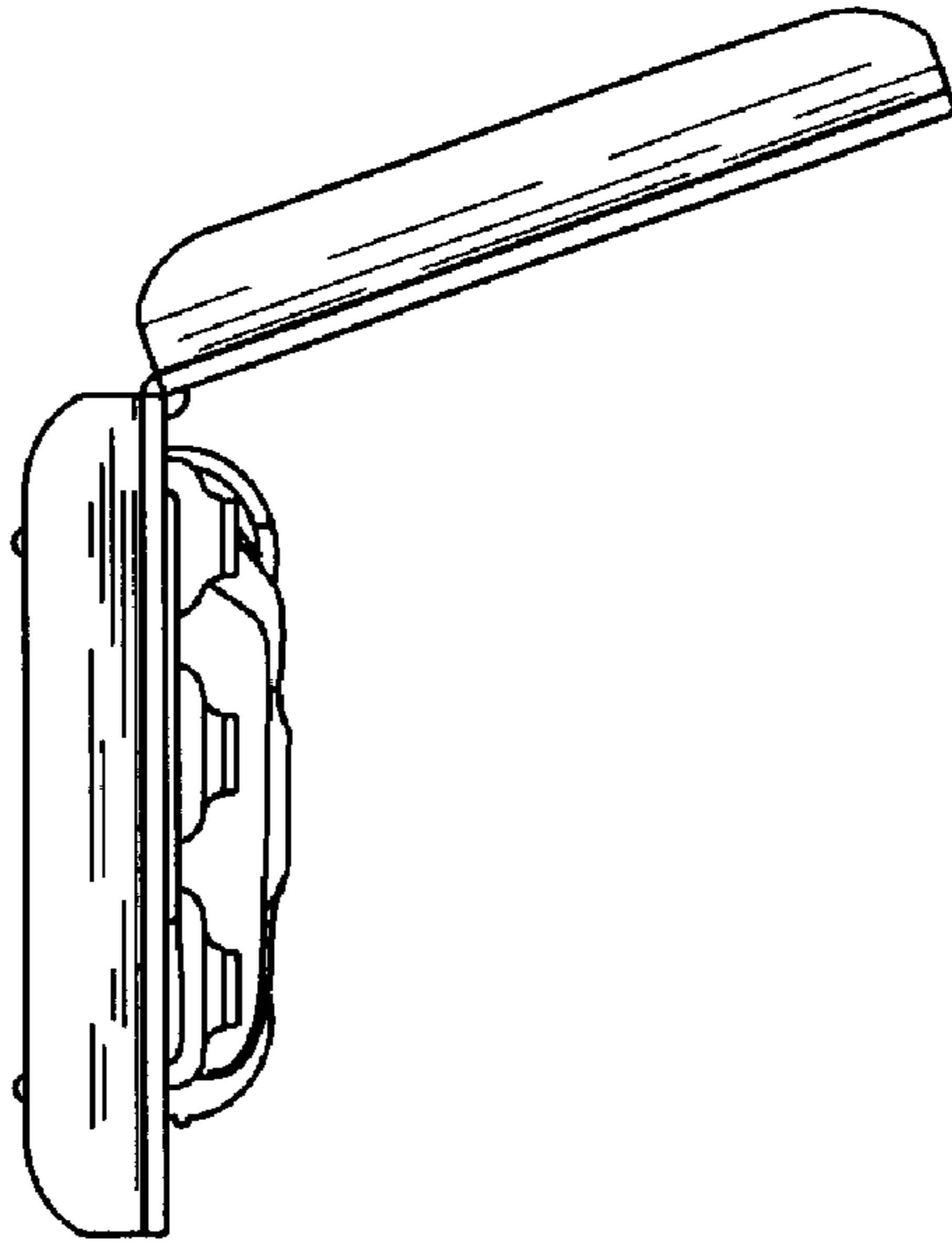


FIG. 1

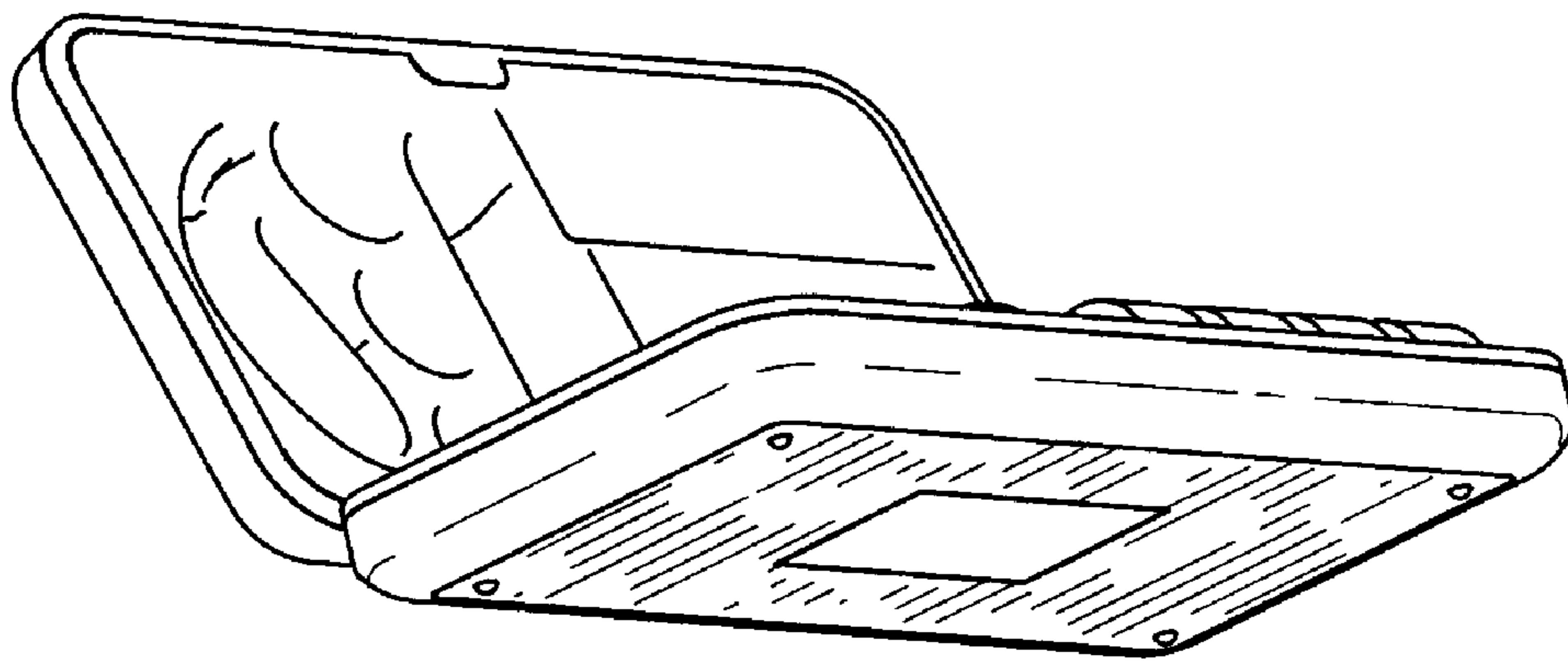


FIG. 2

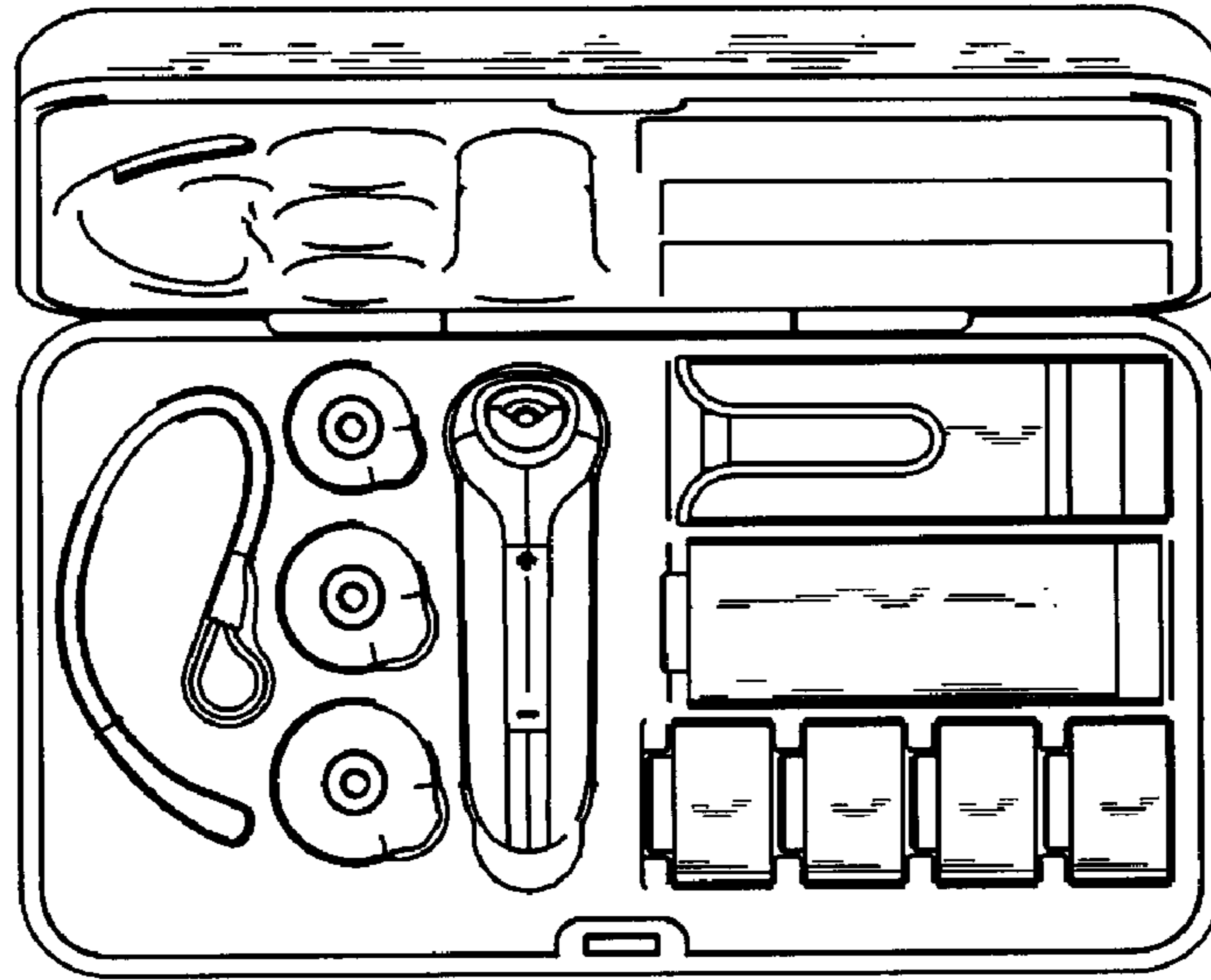


FIG. 3

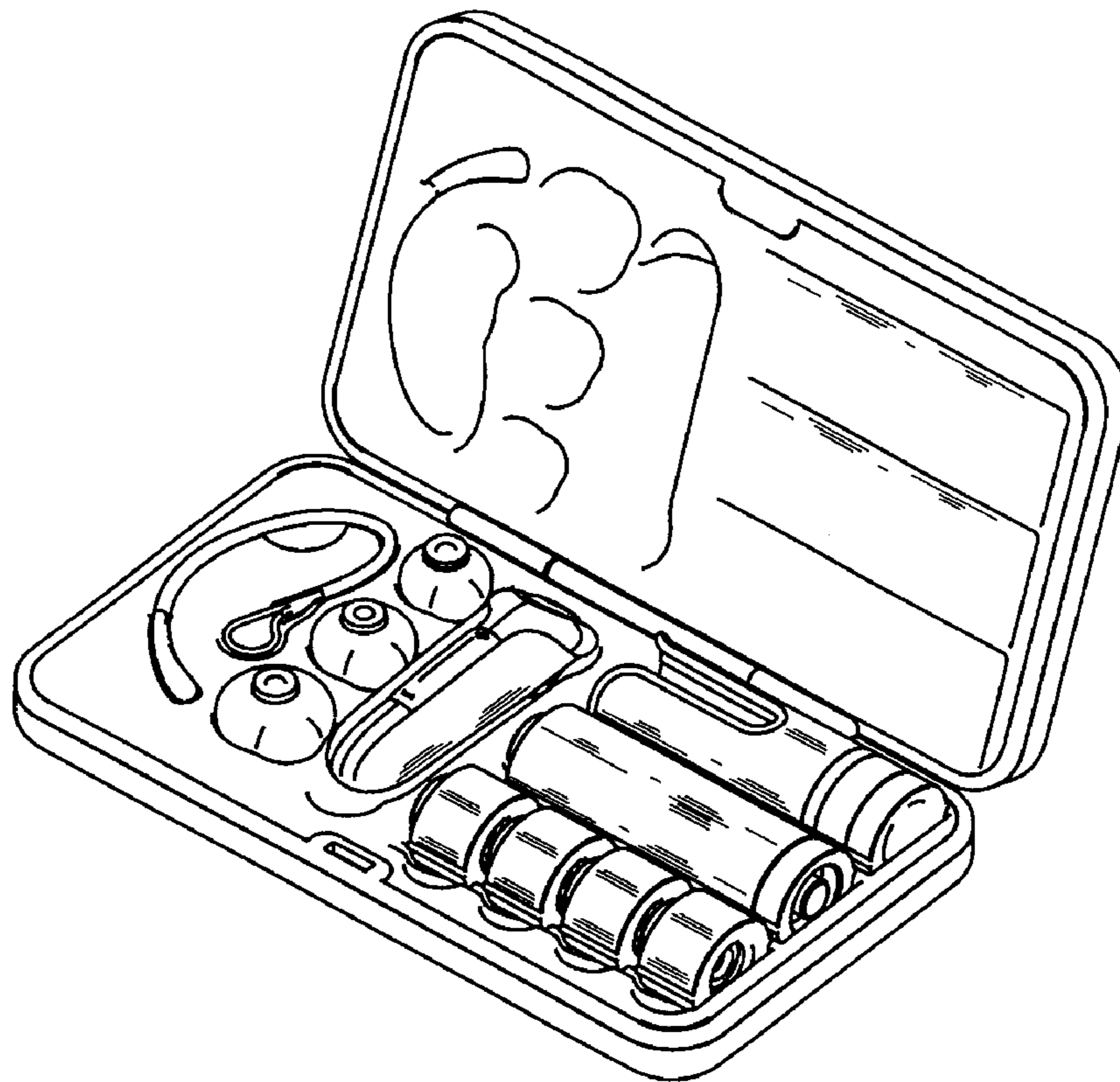


FIG. 4