

US00D529287S

(12) **United States Design Patent**  
**Perella et al.**

(10) **Patent No.:** **US D529,287 S**

(45) **Date of Patent:** **\*\* Oct. 3, 2006**

(54) **STORAGE DEVICE**

(75) Inventors: **Daniel Perella**, Hudson, OH (US);  
**Anthony DeCarlo**, Bay Village, OH  
(US); **Vincent Thomson**, Avon Lake,  
OH (US)

(73) Assignee: **IdeaStream Consumer Products,**  
**LLC**, Parma, OH (US)

(\*\*) Term: **14 Years**

(21) Appl. No.: **29/221,111**

(22) Filed: **Jan. 12, 2005**

(51) **LOC (8) Cl.** ..... **03-01**

(52) **U.S. Cl.** ..... **D3/294; D3/272; D3/273;**  
D19/86

(58) **Field of Classification Search** ..... D3/201,  
D3/205–206, 270, 271.1, 271.7, 272–273,  
D3/294–297, 302, 321, 903; D19/75, 82,  
D19/86, 92, 100; D21/392, 396, 483, 519;  
190/19, 23–24, 37, 39

See application file for complete search history.

(56) **References Cited**

**U.S. PATENT DOCUMENTS**

D45,251 S	*	2/1914	Chodorkow	.....	D3/323
D439,405 S	*	3/2001	Veazey	.....	D3/271.7
D467,427 S	*	12/2002	Wolf	.....	D3/289
D490,206 S	*	5/2004	Perella et al.	.....	D99/28
D493,936 S	*	8/2004	Perella et al.	.....	D99/28
D496,791 S	*	10/2004	Perella et al.	.....	D3/267
D497,252 S	*	10/2004	Perella et al.	.....	D3/294
D501,720 S	*	2/2005	Hussaini et al.	.....	D3/273
D515,809 S	*	2/2006	Perella et al.	.....	D3/273

\* cited by examiner

*Primary Examiner*—Philip S. Hyder

*Assistant Examiner*—RoseLynne (Ulm) Cody

(74) *Attorney, Agent, or Firm*—Pillsbury Winthrop Shaw  
Pittman, LLP

(57) **CLAIM**

The ornamental design for a storage device, as shown and  
described.

**DESCRIPTION**

FIG. 1 is a perspective view of a storage device embodying  
one aspect of our new design;

FIG. 2 is a front elevational view of the storage device of  
FIG. 1;

FIG. 3 is a rear elevational view of the storage device of FIG.  
1;

FIG. 4 is a left side profile view of the storage device of FIG.  
1;

FIG. 5 is a right side profile view of the storage device of  
FIG. 1;

FIG. 6 is a top plan view of the storage device of FIG. 1;

FIG. 7 is a bottom plan view of the storage device of FIG.  
1;

FIG. 8 is a perspective view of a storage device embodying  
another aspect of our new design;

FIG. 9 is a front elevational view of the storage device of  
FIG. 8;

FIG. 10 is a rear elevational view of the storage device of  
FIG. 8;

FIG. 11 is a left side profile view of the storage device of  
FIG. 8;

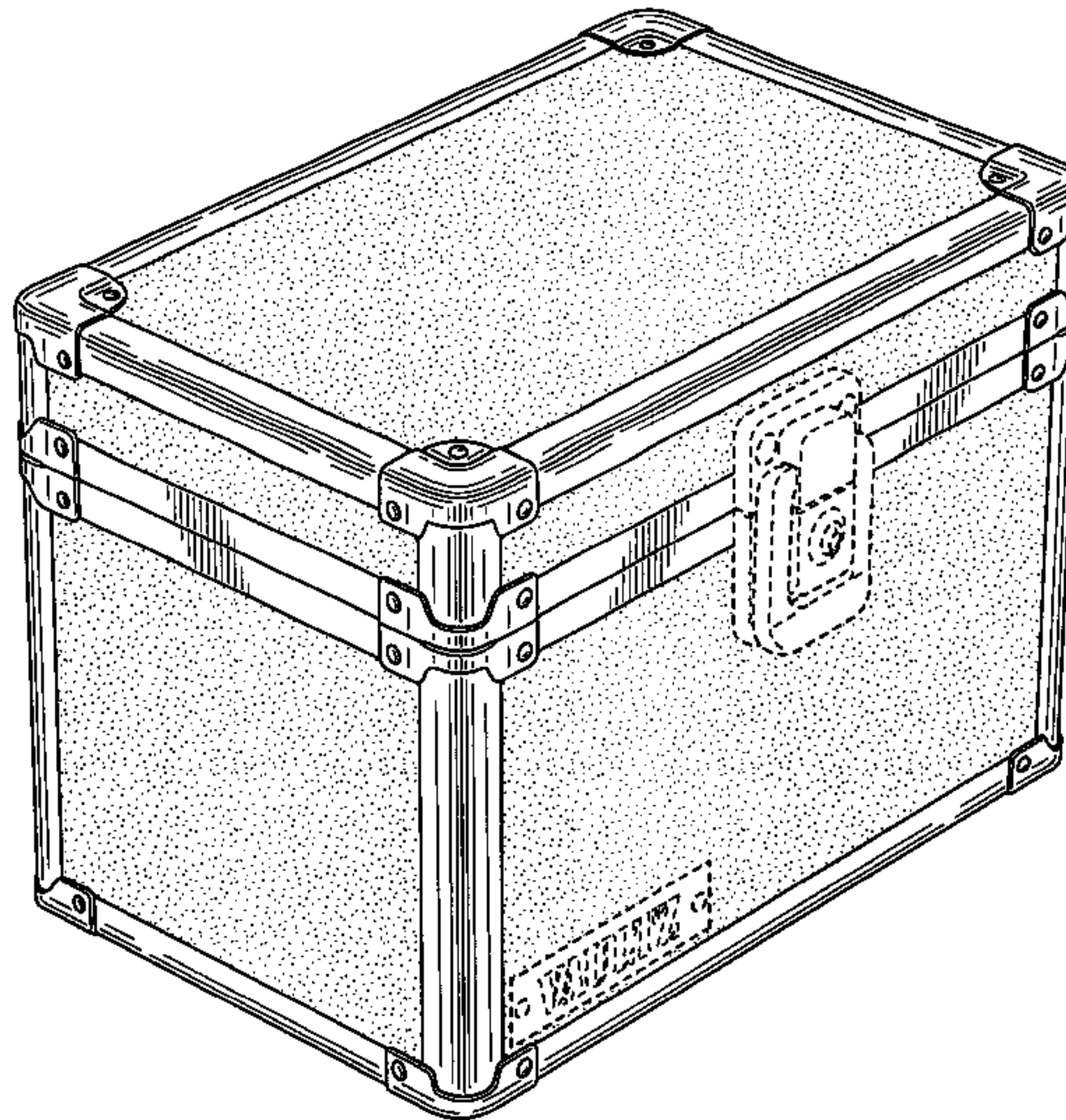
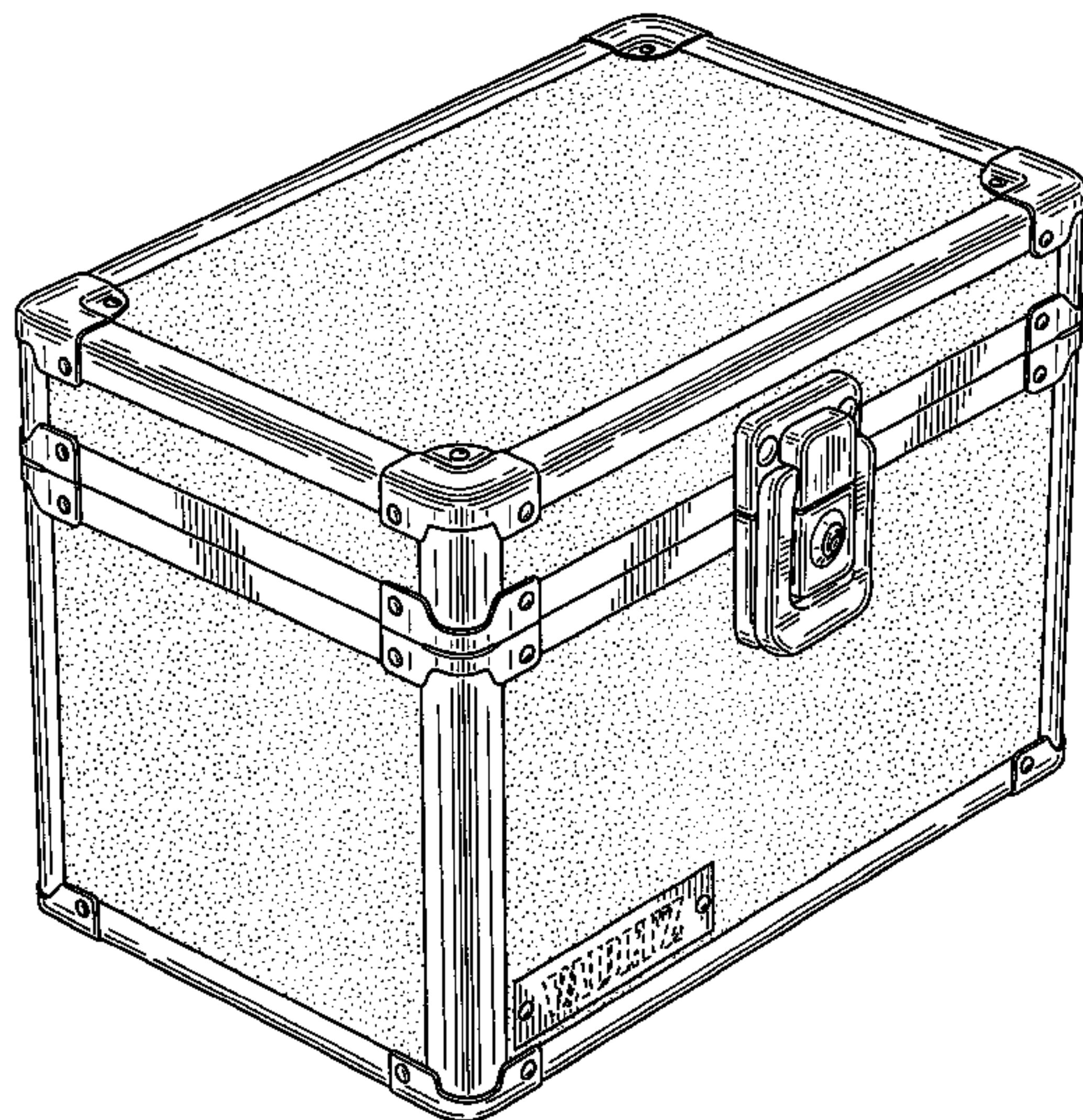
FIG. 12 is a right side profile view of the storage device of  
FIG. 8;

FIG. 13 is a top plan view of the storage device of FIG. 8;  
and,

FIG. 14 is a bottom plan view of the storage device of FIG.  
8.

Subject matter shown in broken lines forms no part of the  
claimed invention.

**1 Claim, 14 Drawing Sheets**





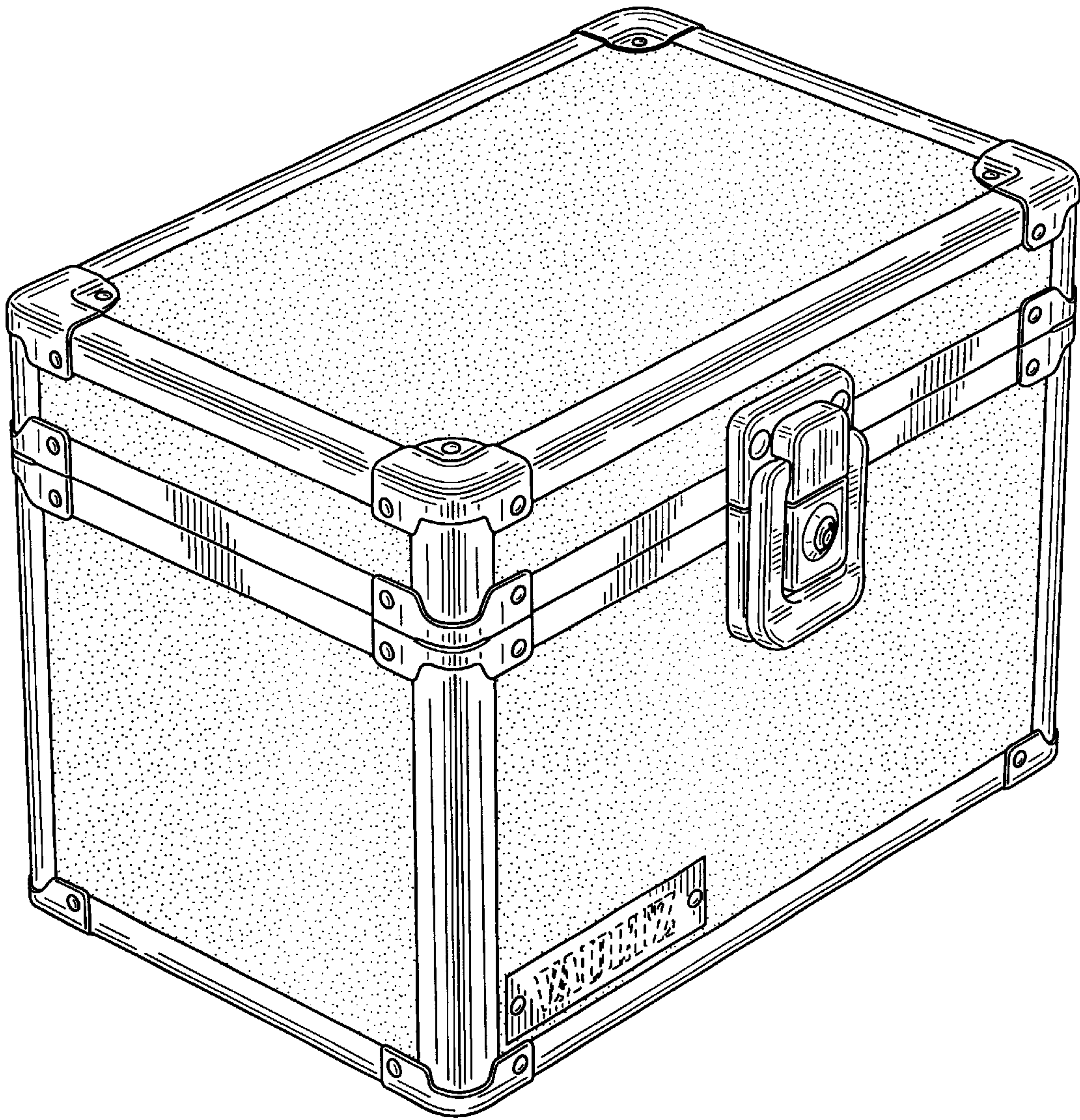


FIG. 1

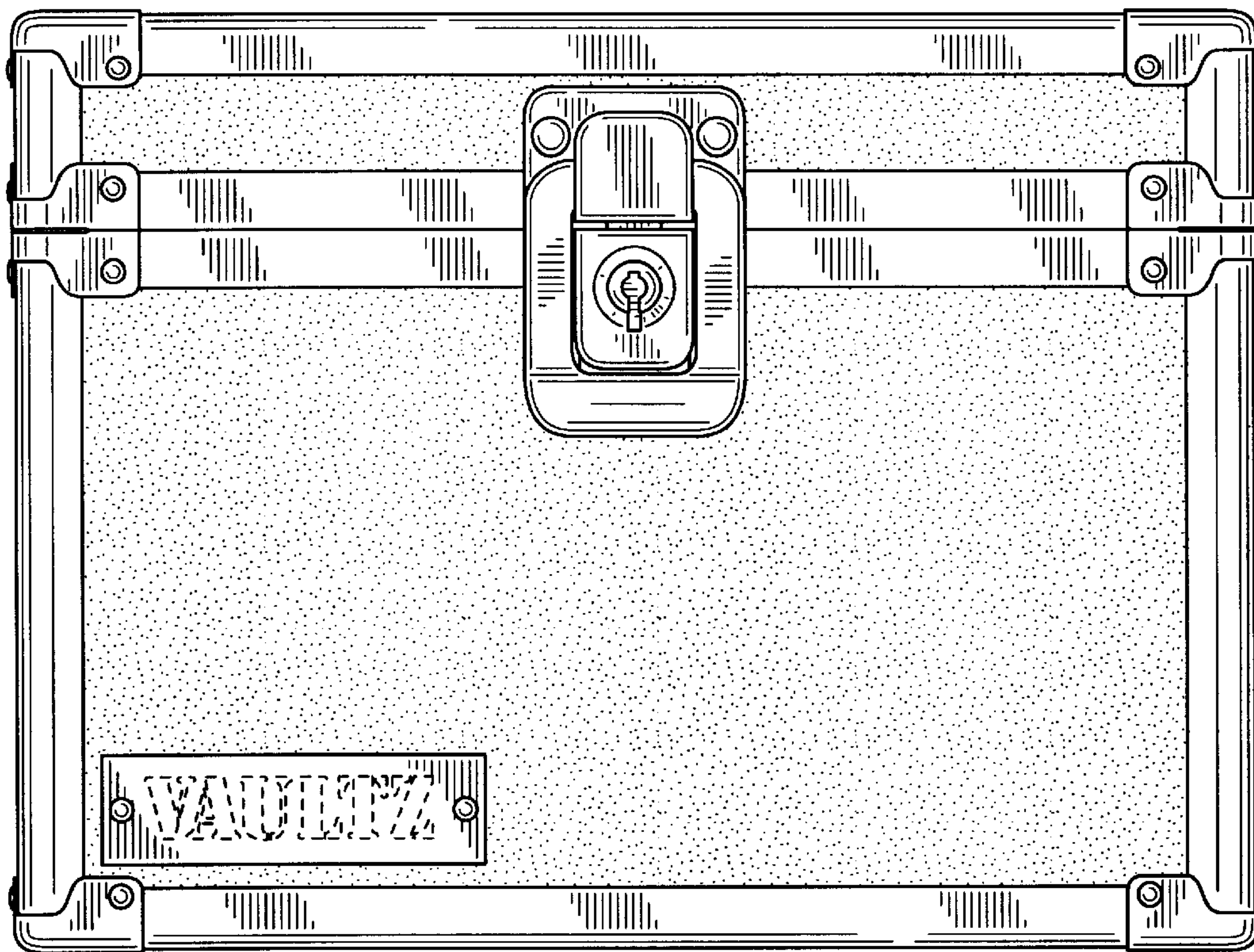


FIG. 2

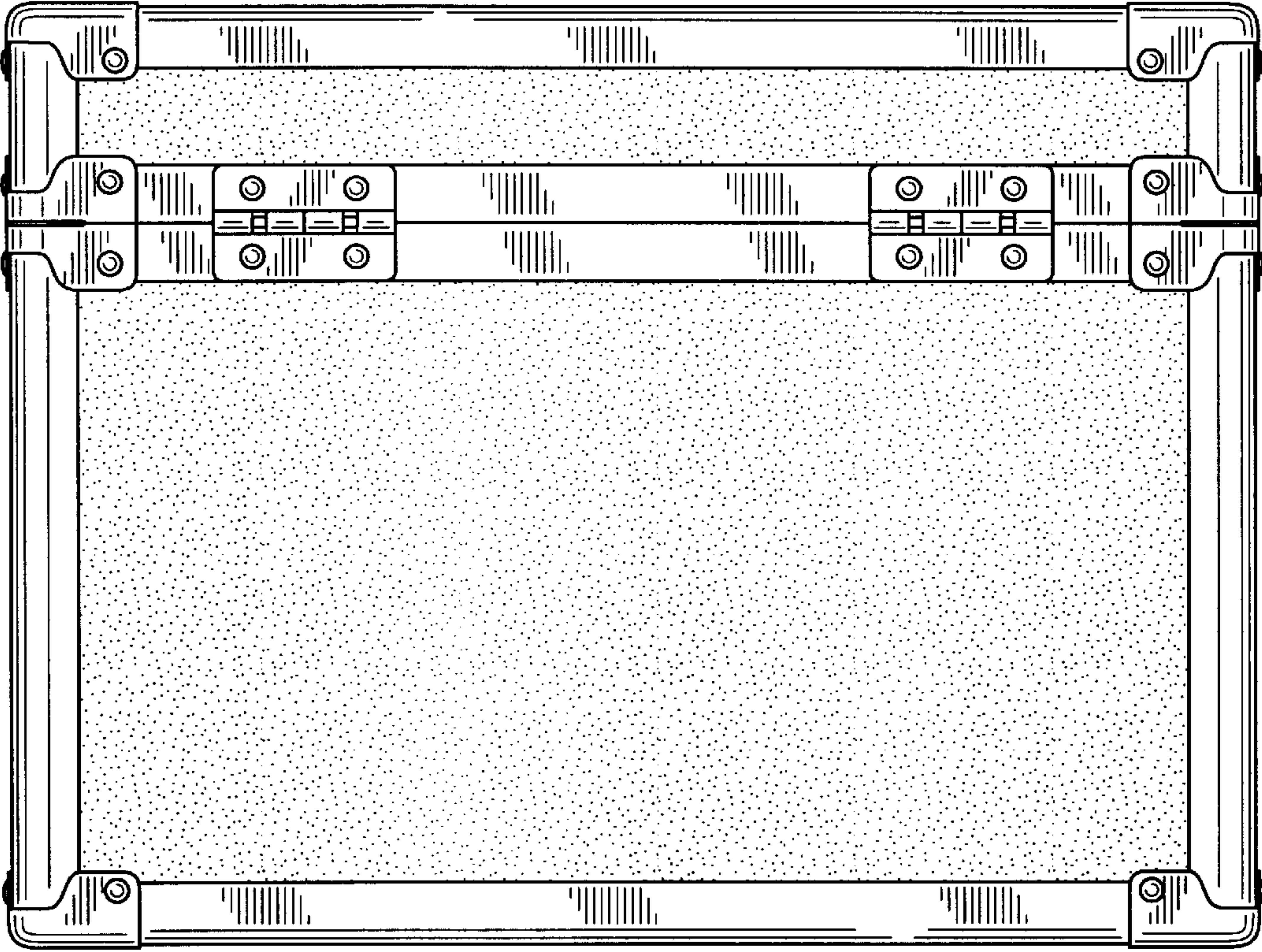


FIG. 3



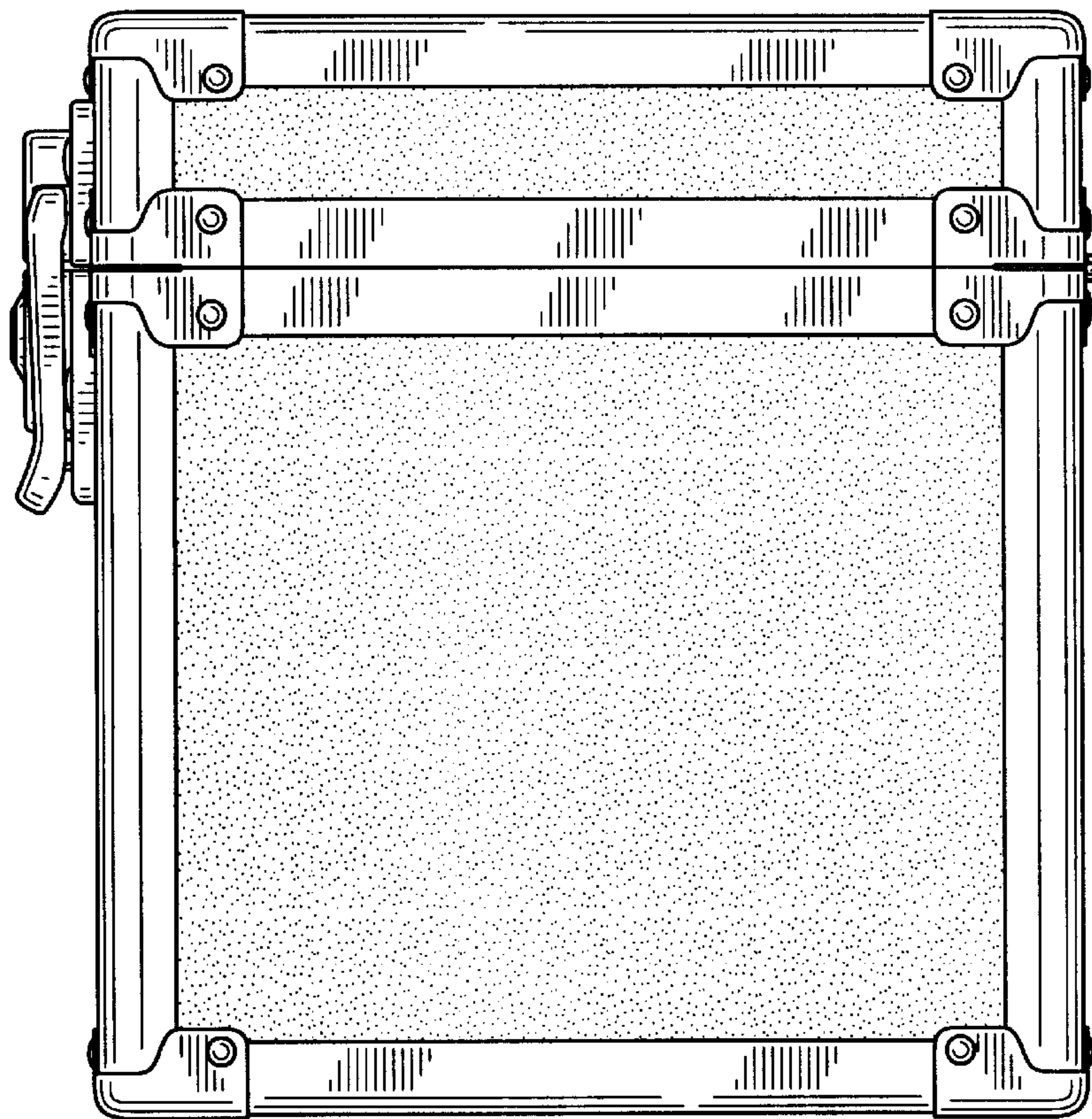


FIG. 4

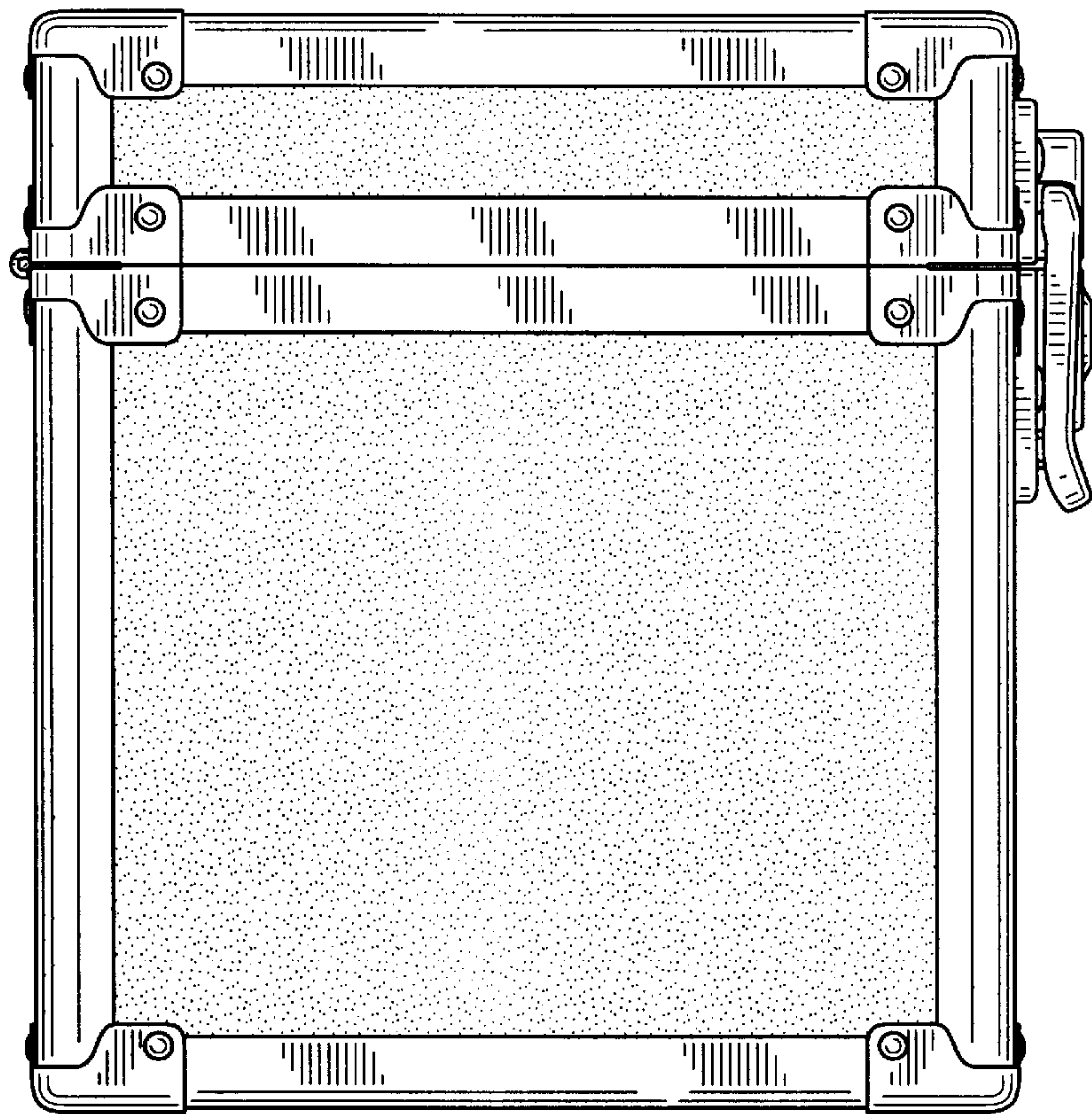


FIG. 5

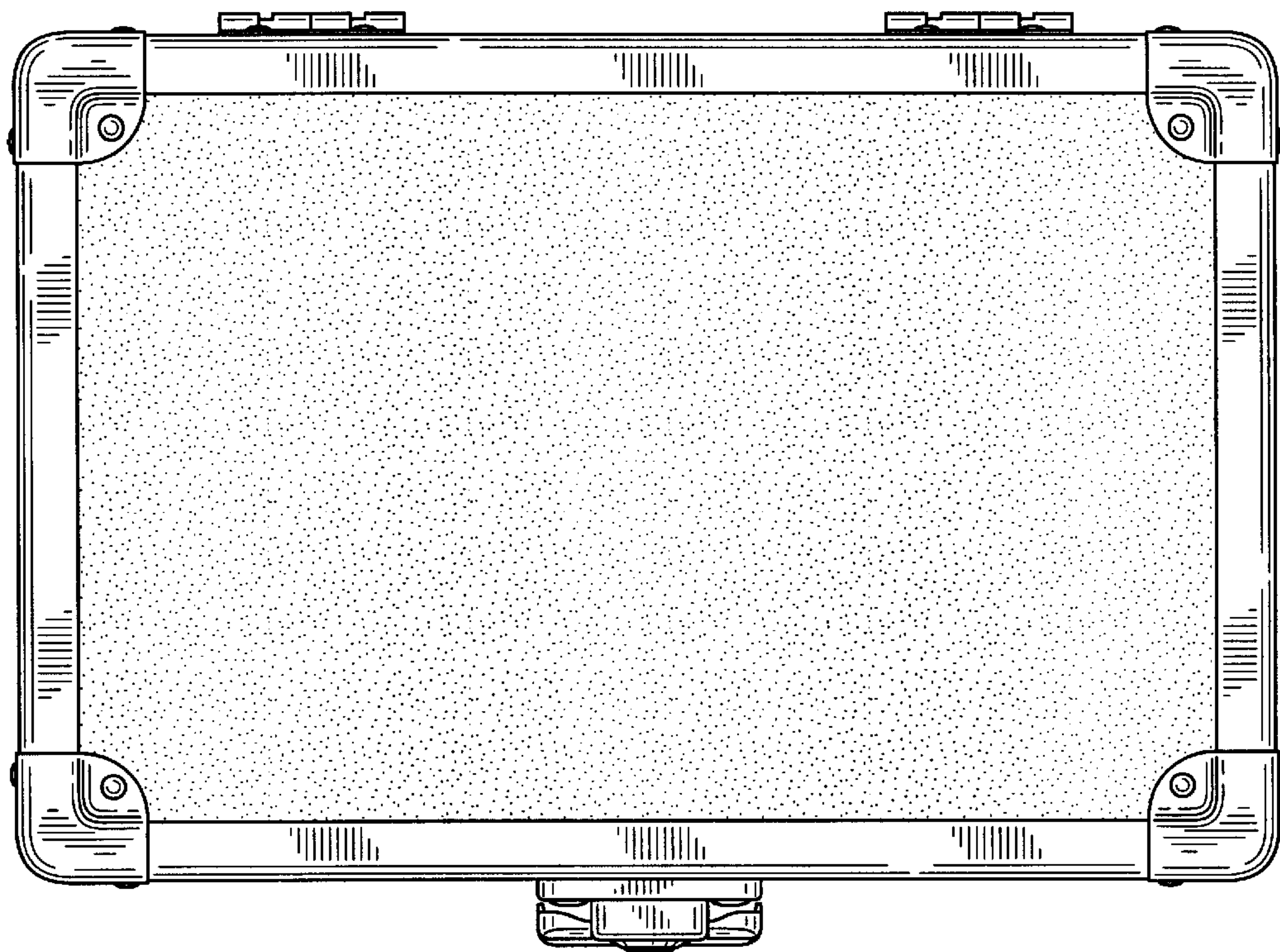


FIG. 6

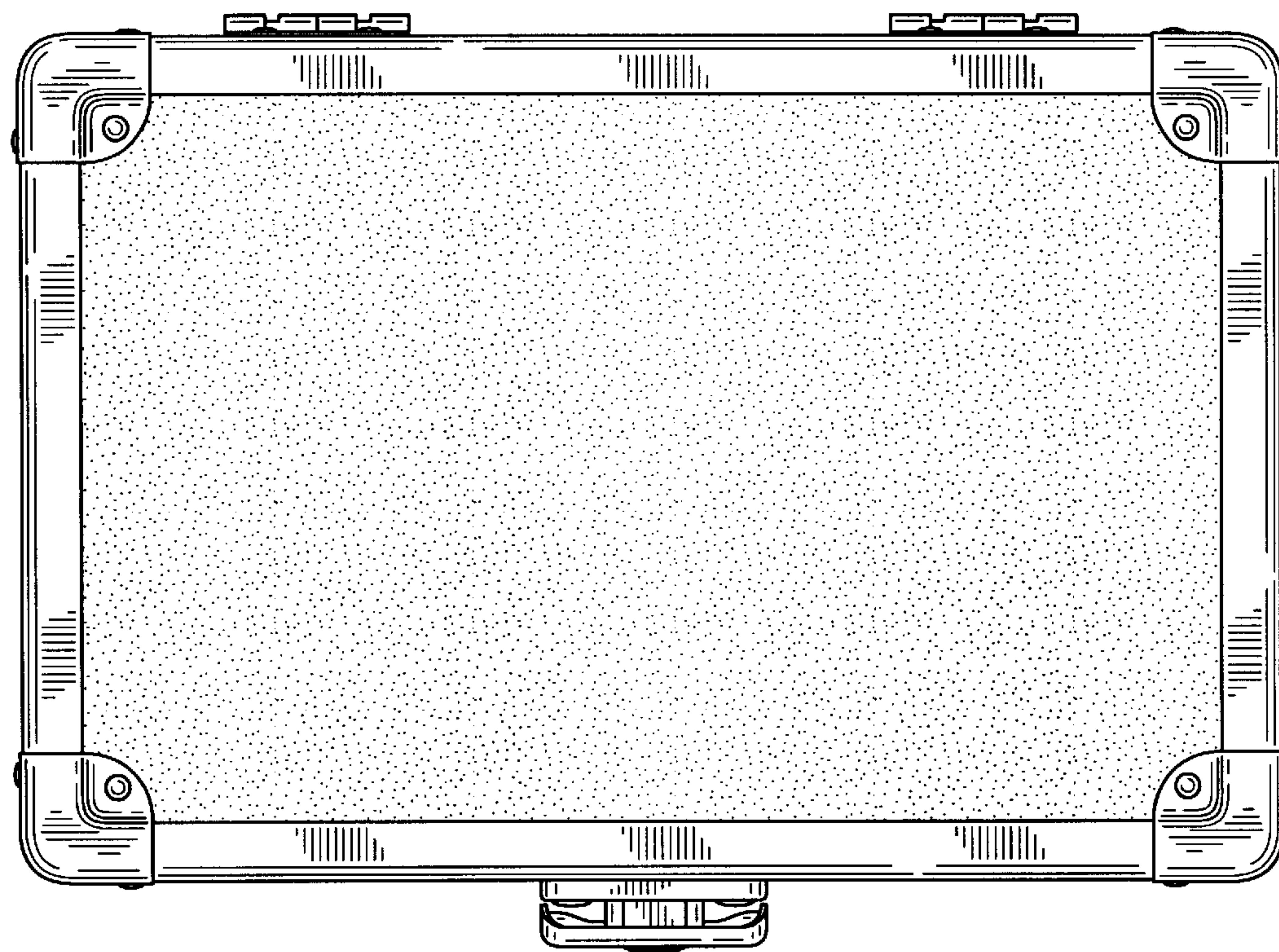


FIG. 7



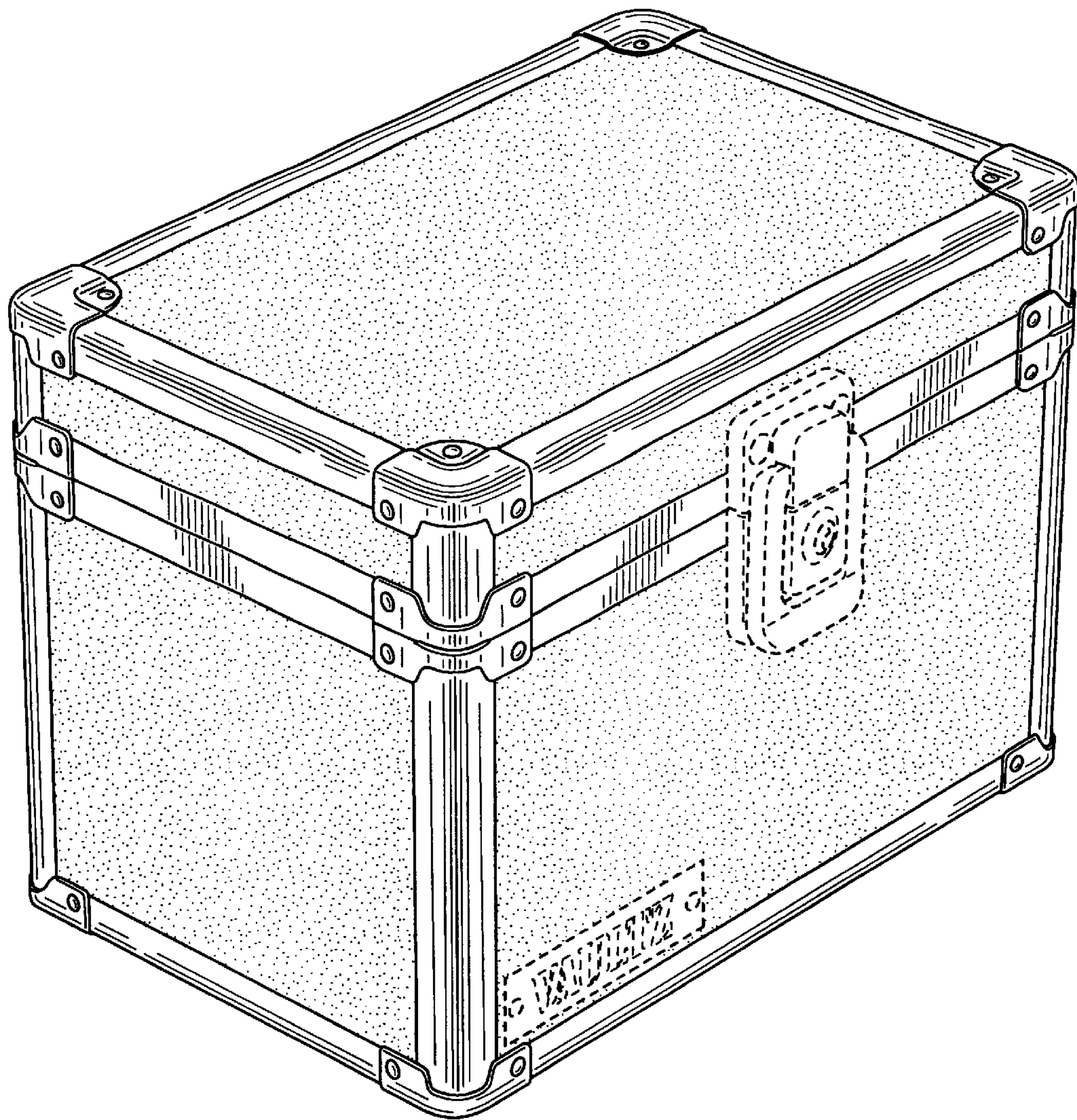


FIG. 8

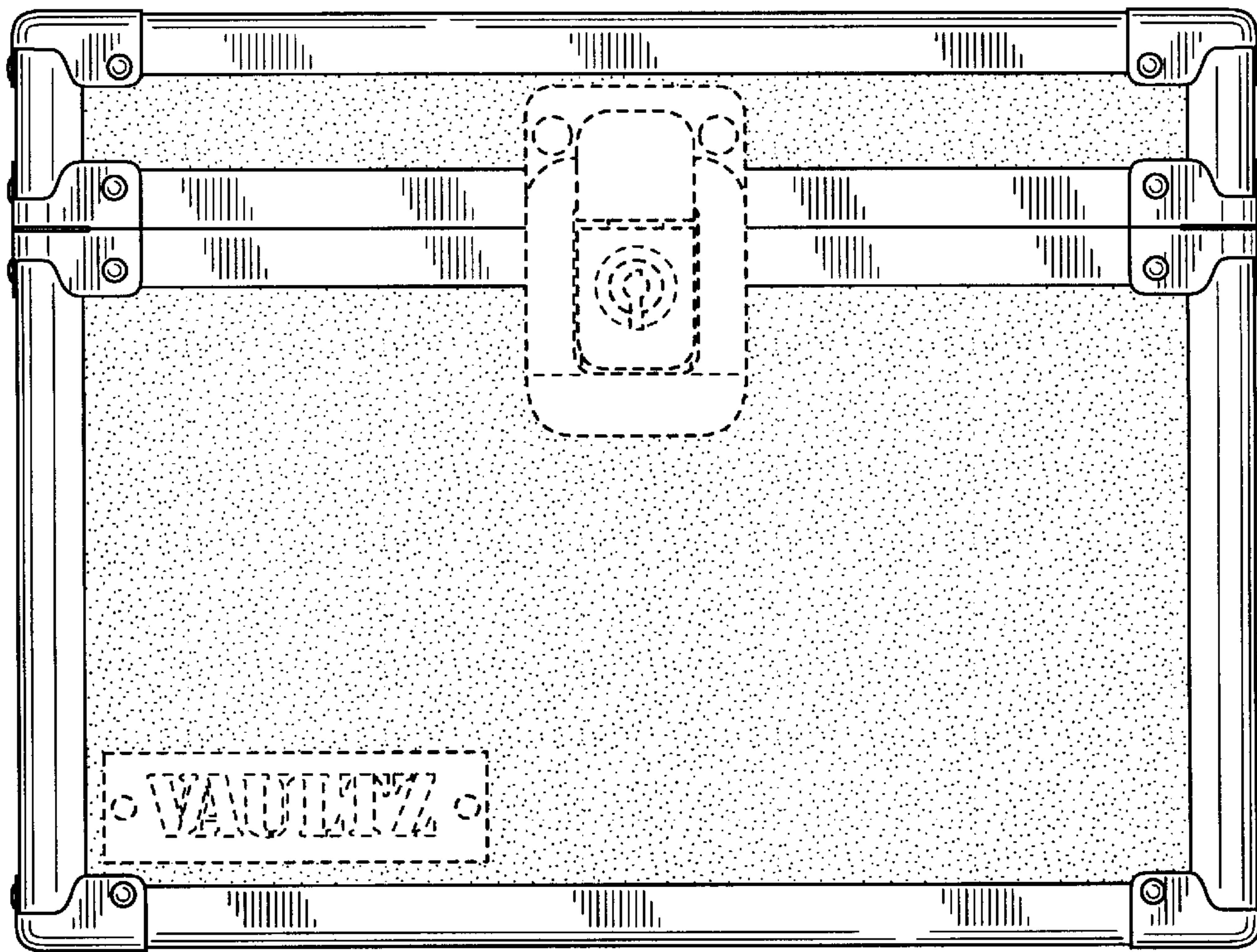


FIG. 9

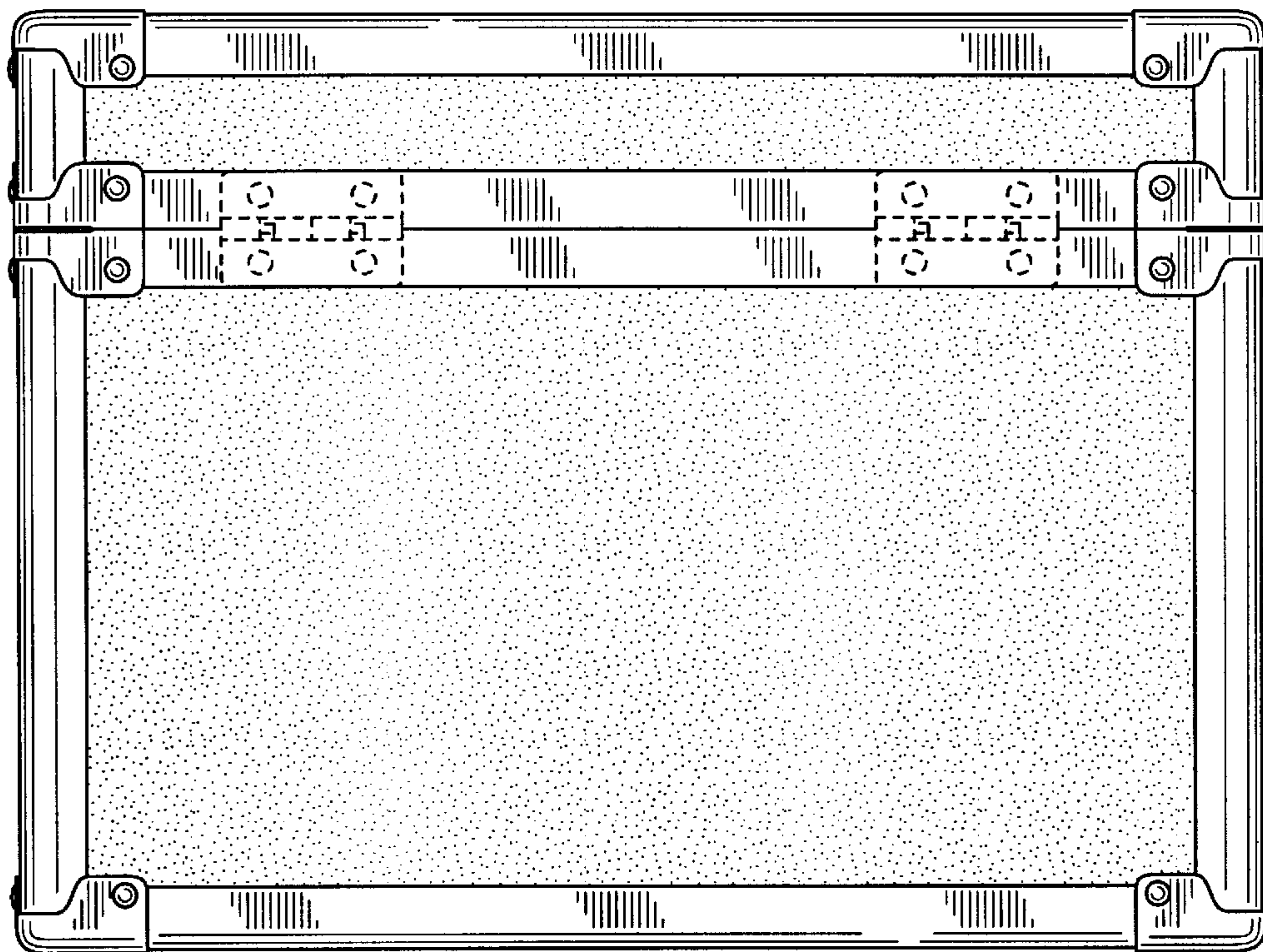


FIG. 10



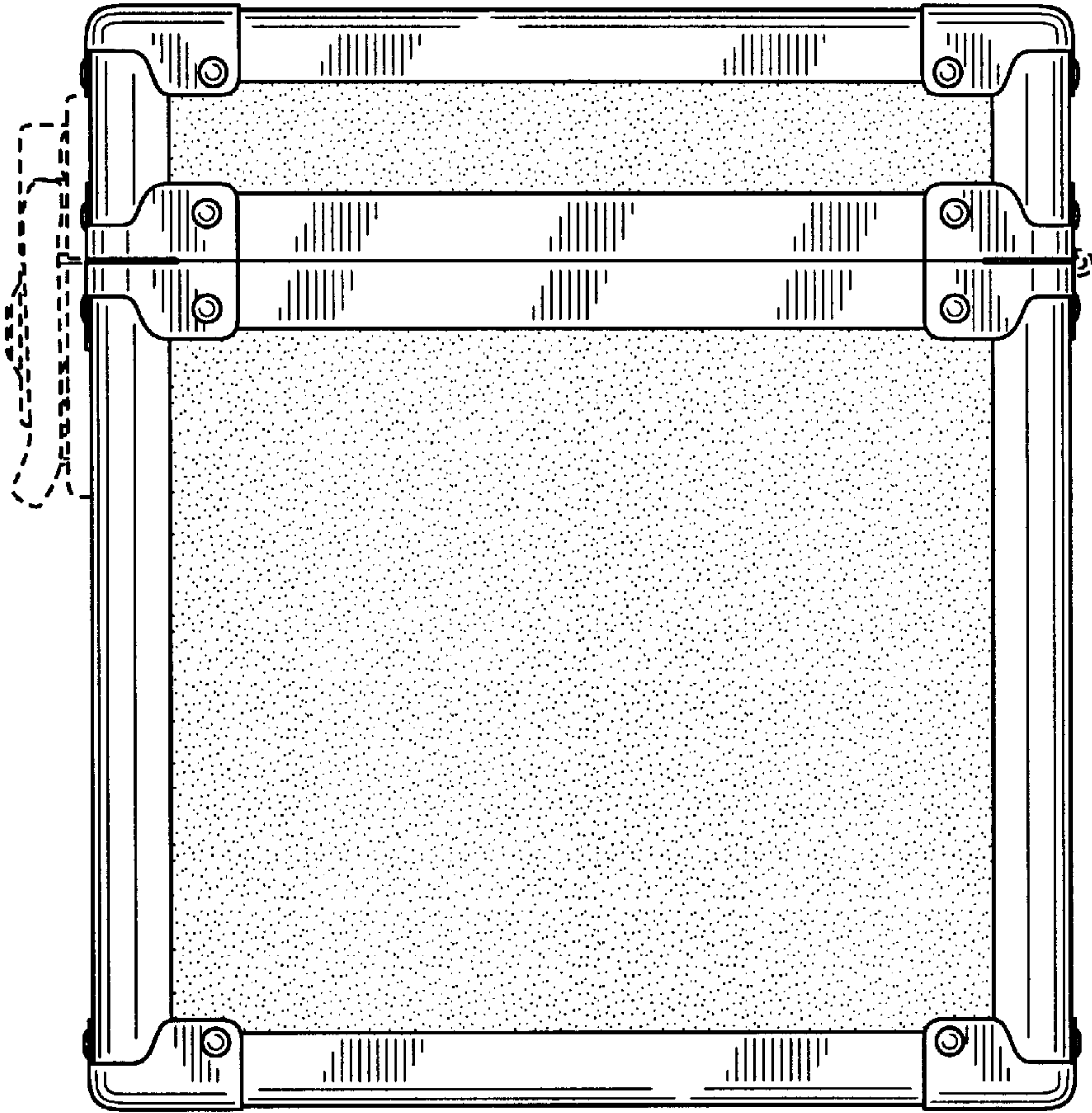


FIG. 11

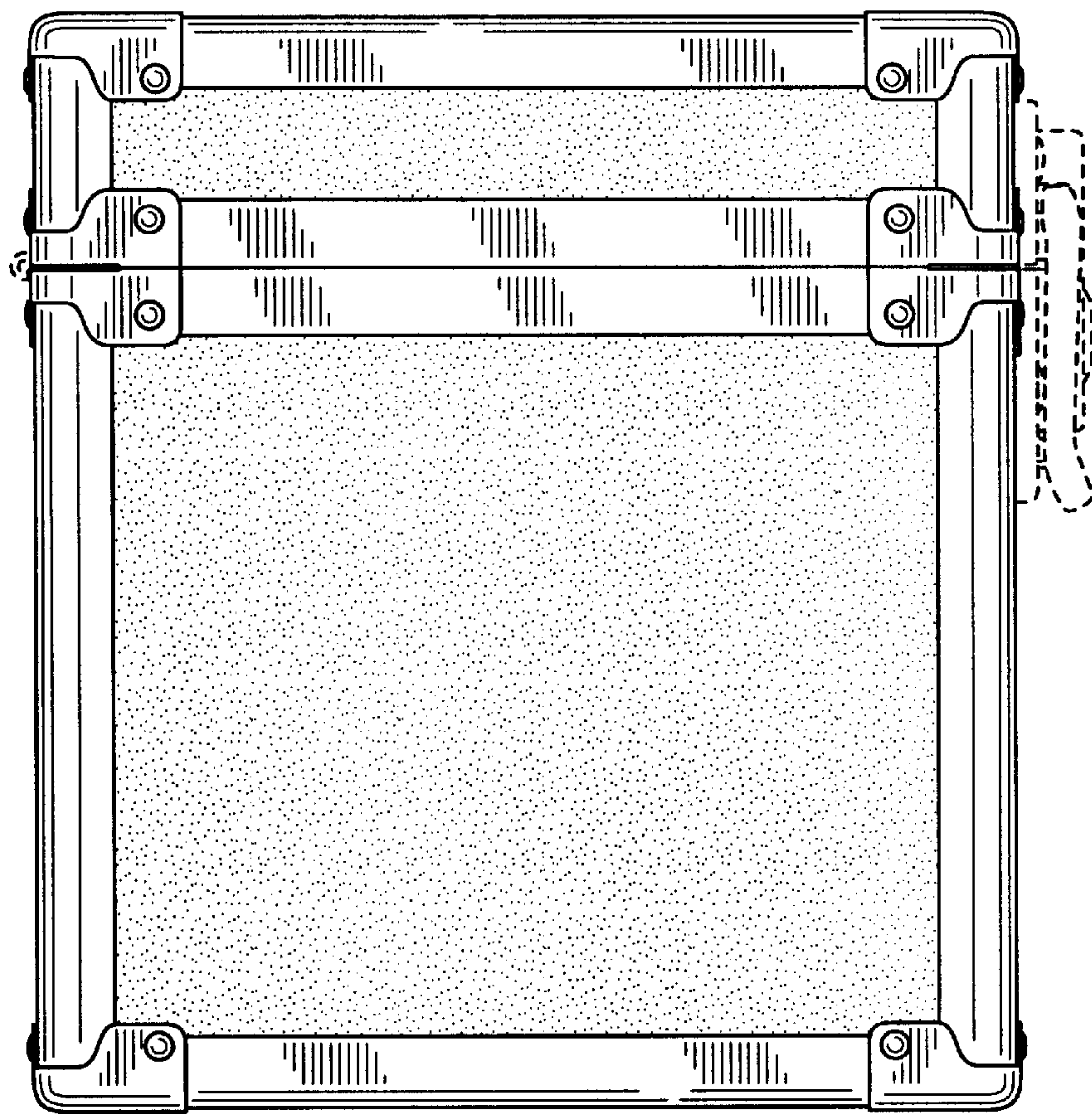


FIG. 12

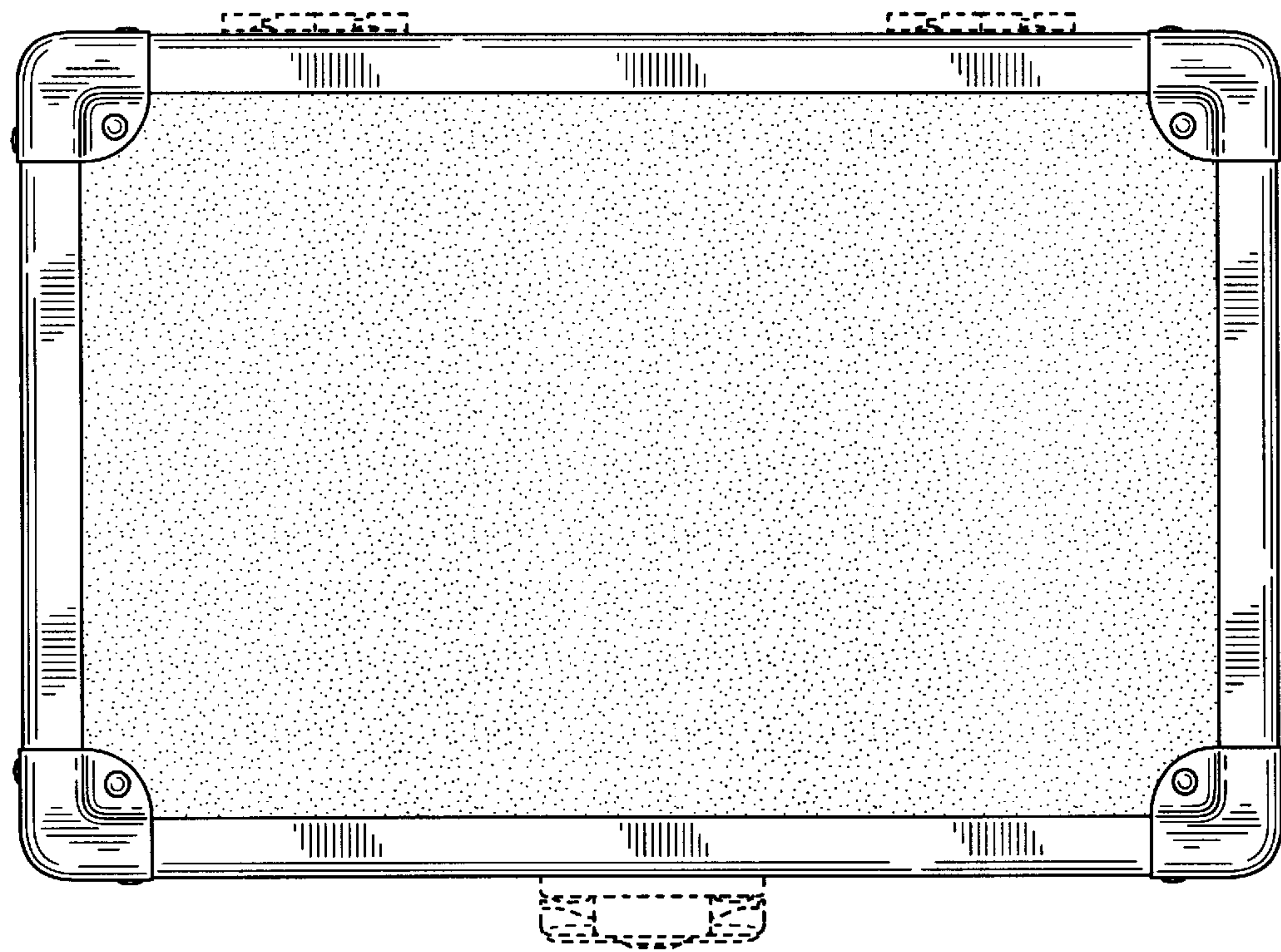


FIG. 13



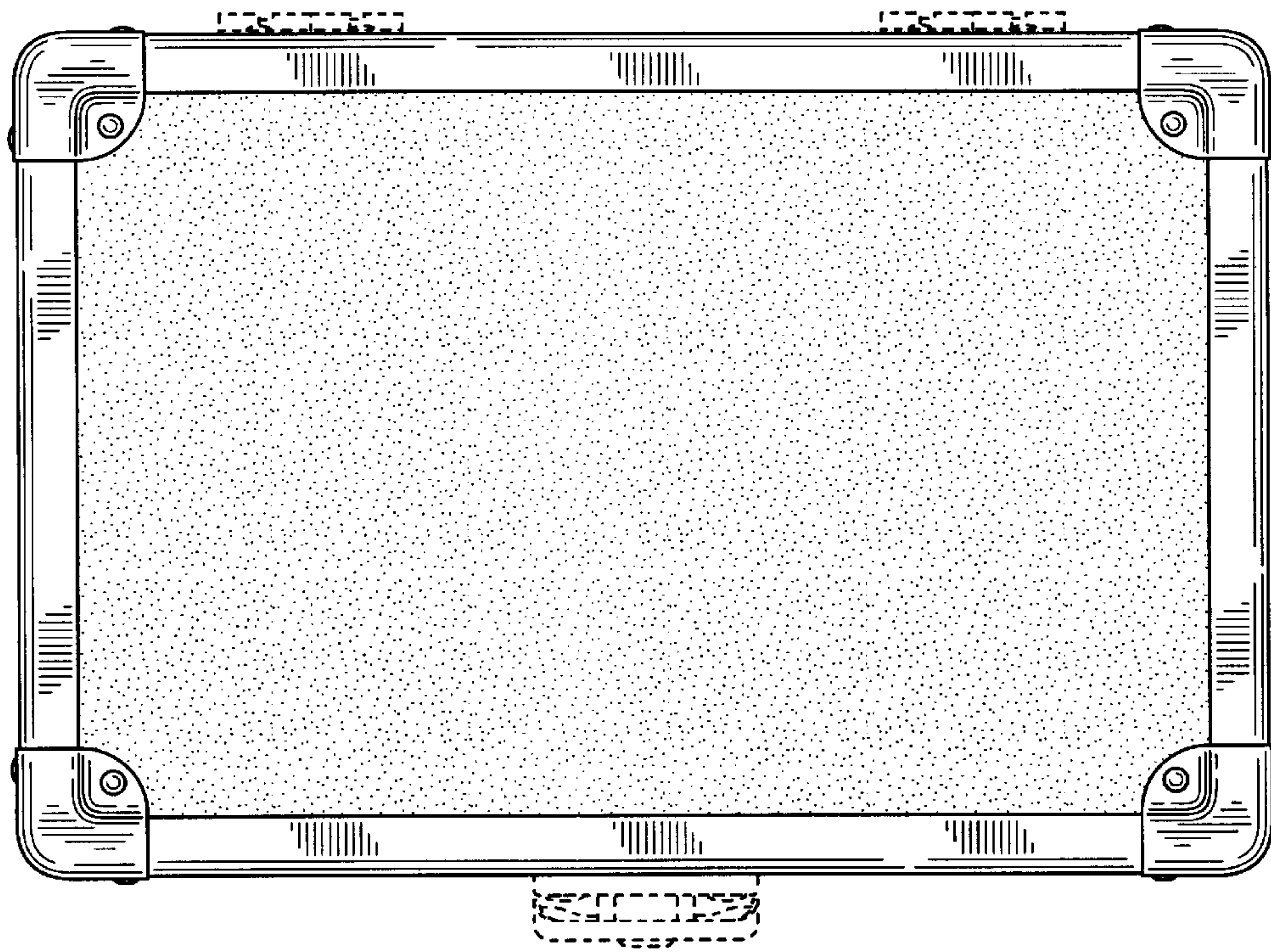


FIG. 14