



US00D529283S

(12) **United States Design Patent** (10) **Patent No.:** **US D529,283 S**
Vivar et al. (45) **Date of Patent:** **** Oct. 3, 2006**

(54) **WALLET/COIN PURSE WITH THREADED SCREWCAP CLOSURE**
(75) Inventors: **Cristobal Vivar**, New York, NY (US); **Marta Blair**, New York, NY (US)
(73) Assignee: **Juicywallets**, New York City, NY (US)
(**) Term: **14 Years**
(21) Appl. No.: **29/235,987**
(22) Filed: **Aug. 10, 2005**
(51) **LOC (8) Cl.** **03-01**
(52) **U.S. Cl.** **D3/247**
(58) **Field of Classification Search** D3/243, D3/248, 273, 290, 299, 203, 224, 215, 234, D3/226, 233, 218, 247, 201, 232, 283; 150/106, 150/112, 132, 143; 224/240, 245, 901, 904
See application file for complete search history.

(56) **References Cited**
U.S. PATENT DOCUMENTS

D44,914	S	11/1913	Buckley	
D46,889	S	* 1/1915	Smith	D3/205
1,979,475	A	* 11/1934	Knettles	281/19.1
2,134,971	A	11/1938	Guyer	
3,847,195	A	11/1974	Tyrseck	
3,970,129	A	7/1976	Tepfer	
D304,781	S	* 11/1989	Hanson	D6/629
D329,327	S	* 9/1992	Holtzclaw, Jr.	D3/262
D346,490	S	5/1994	Prosa	
5,358,172	A	10/1994	Hollander et al.	
5,454,644	A	10/1995	Augustin	
5,464,108	A	11/1995	Samelson	
D368,581	S	* 4/1996	Cincotta	D3/218
5,653,276	A	8/1997	Niernberger	
5,782,280	A	7/1998	Berry	
D429,562	S	* 8/2000	Lau	D3/226
D438,008	S	* 2/2001	Snider	D3/299
D440,253	S	4/2001	Wolff et al.	

D442,781 S 5/2001 Snider
6,336,584 B1 1/2002 Roch et al.
D456,989 S * 5/2002 Carothers et al. D3/226

* cited by examiner

Primary Examiner—Louis S. Zarfaz
Assistant Examiner—Kathleen Sims
(74) *Attorney, Agent, or Firm*—Arent Fox PLLC

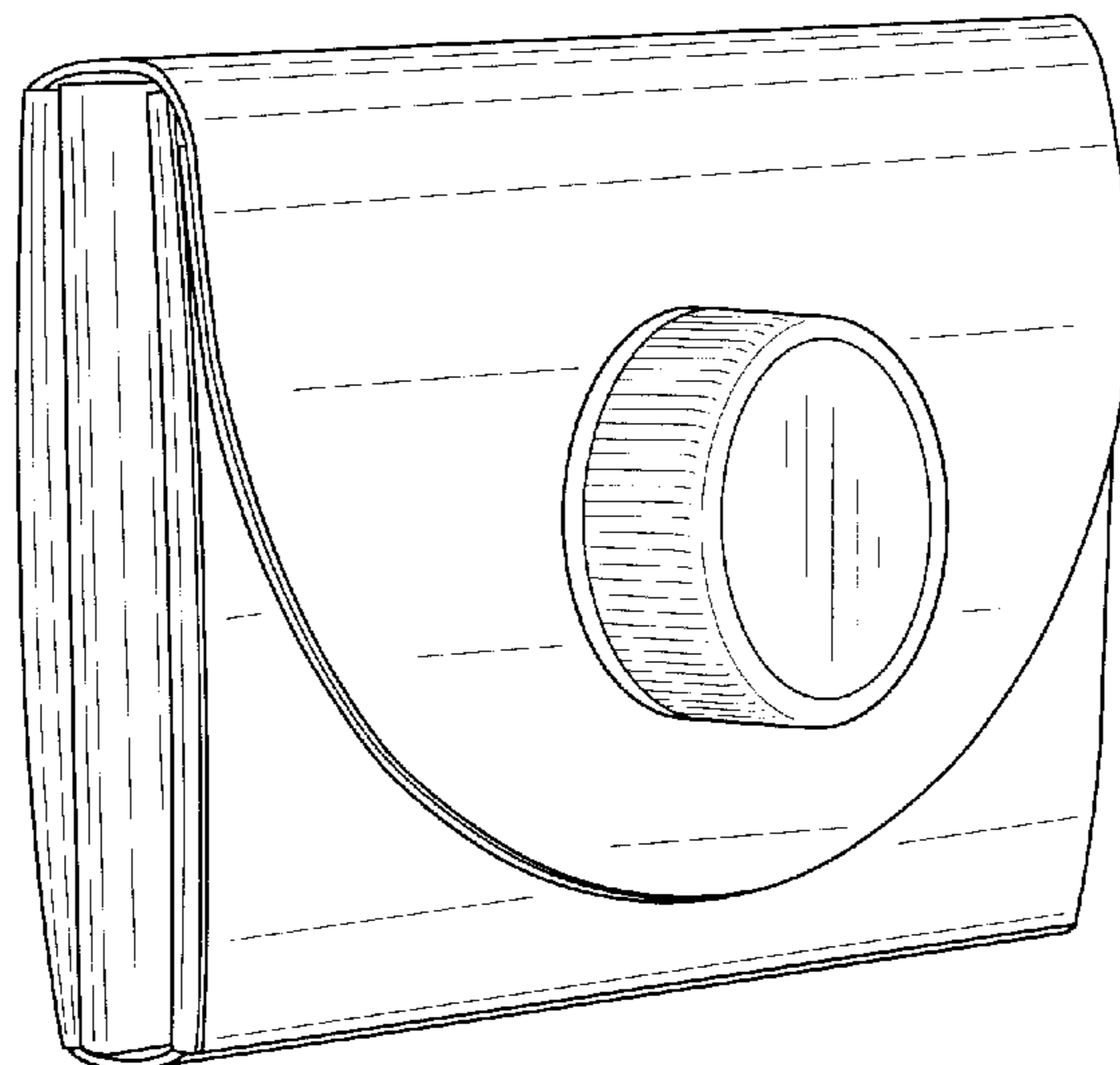
(57) **CLAIM**

The ornamental design for a wallet/coin purse with threaded screwcap closure, as shown and described.

DESCRIPTION

FIG. 1 is a perspective view of a coin purse with the threaded screwcap closure thereon as seen from the right front side showing an embodiment of our new design; FIG. 2 is a front view of the coin purse; FIG. 3 is a back view of the coin purse; FIG. 4 is a right side view of the coin purse; FIG. 5 is a left side view of the coin purse; FIG. 6 is a bottom view of the coin purse; FIG. 7 is a top view of the coin purse; FIG. 8 is a perspective view of the coin purse partially opened with the threaded screwcap closure removed therefrom as seen from the right front side; FIG. 9 is a perspective view of a wallet with the threaded screwcap closure thereon as seen from the left side showing another embodiment of our new design; FIG. 10 is a front view of the wallet; FIG. 11 is a back view of the wallet; FIG. 12 is a bottom view of the wallet; FIG. 13 is a top view of the wallet; FIG. 14 is a right side view of the wallet; FIG. 15 is a left side view of the wallet; and, FIG. 16 is a perspective view of the wallet partially opened with the threaded screwcap closure removed therefrom as seen from the right front side.

1 Claim, 8 Drawing Sheets



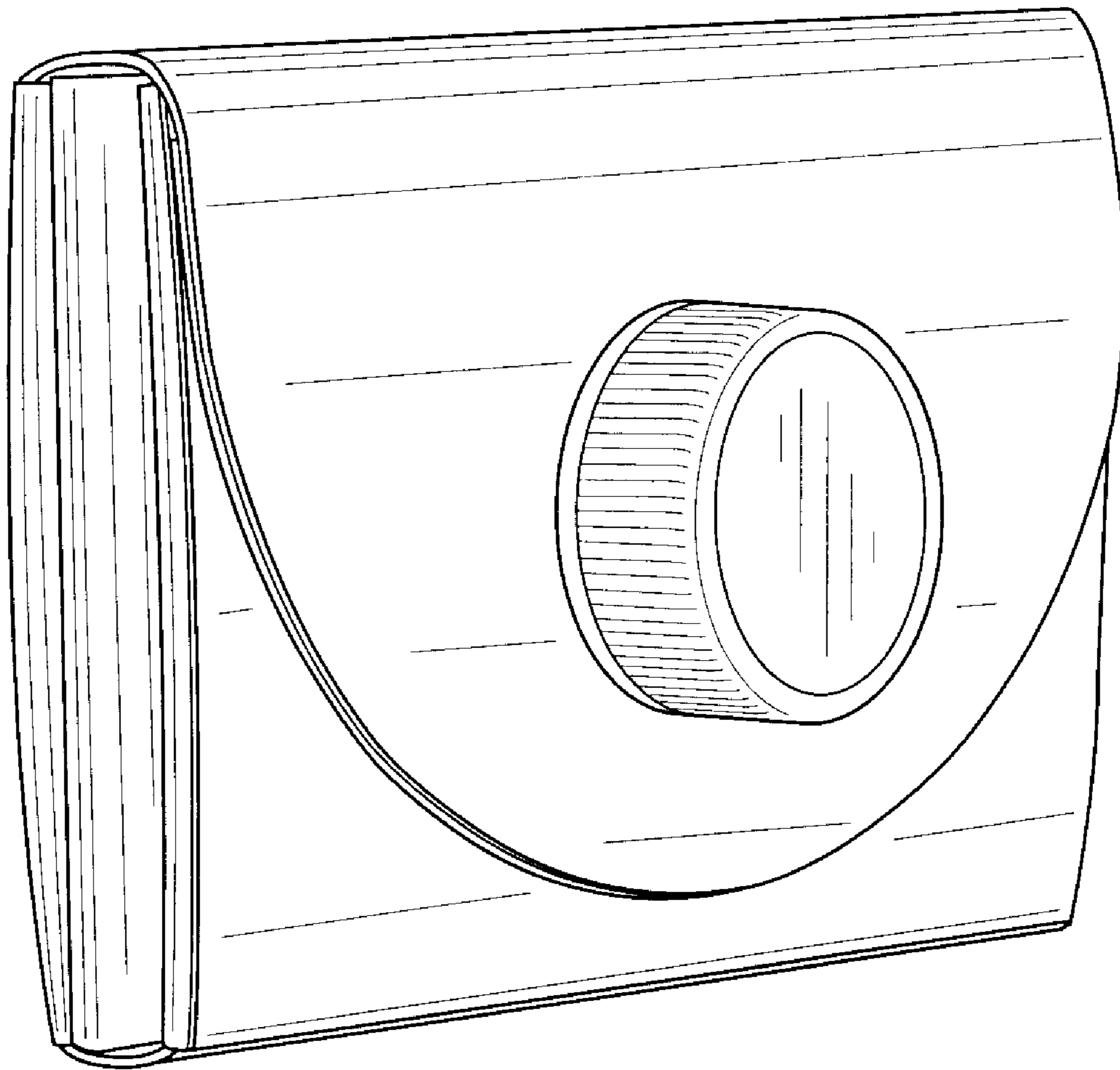


FIG.1

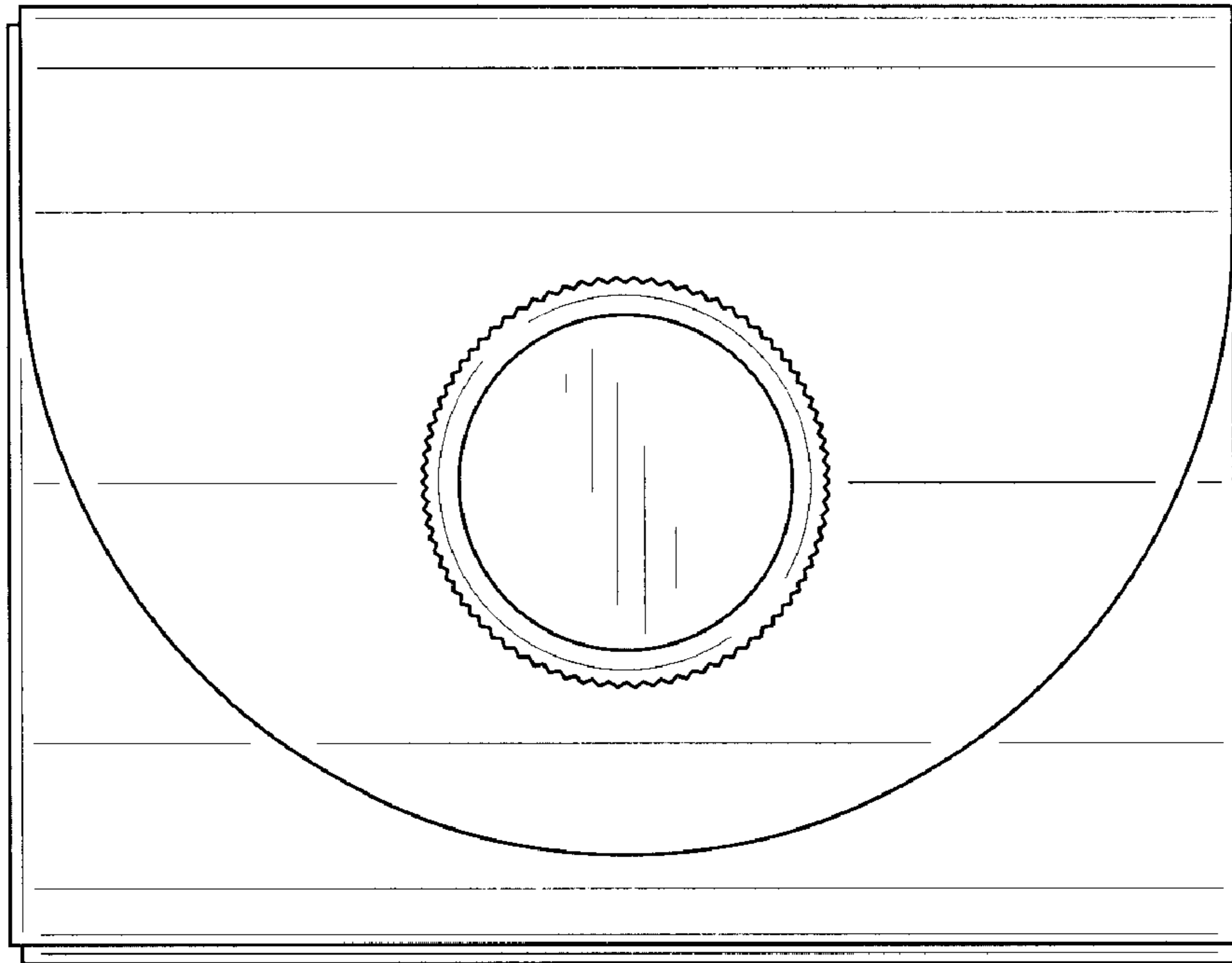


FIG. 2

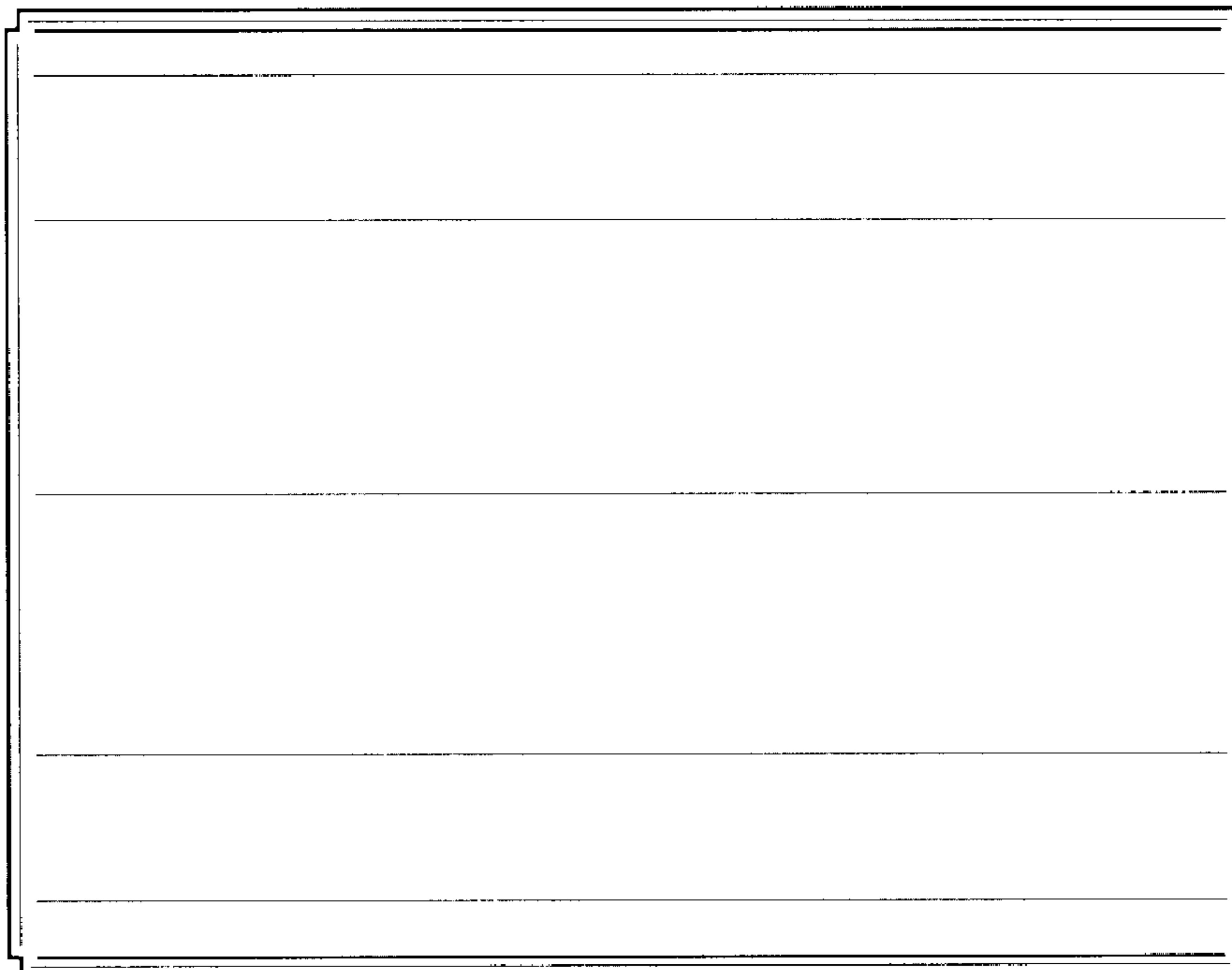


FIG. 3

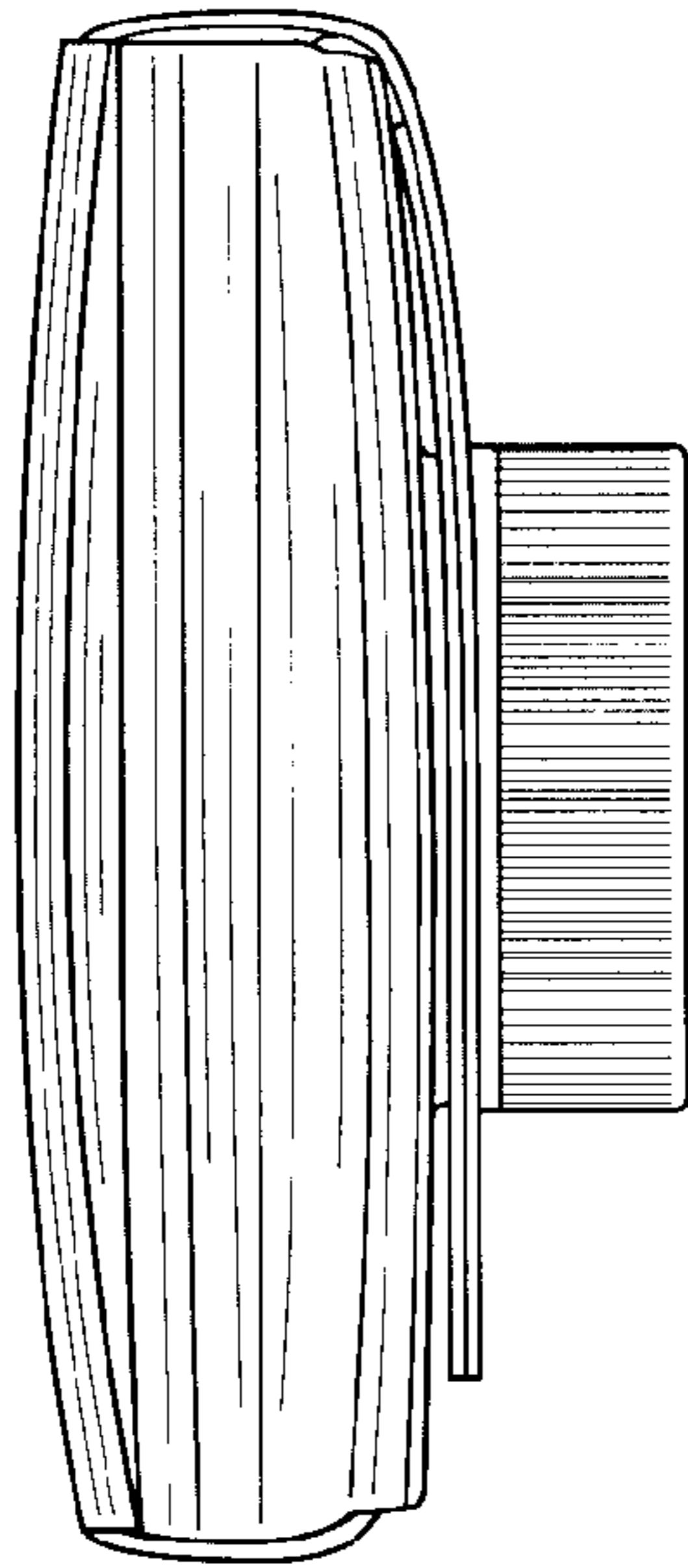


FIG. 4

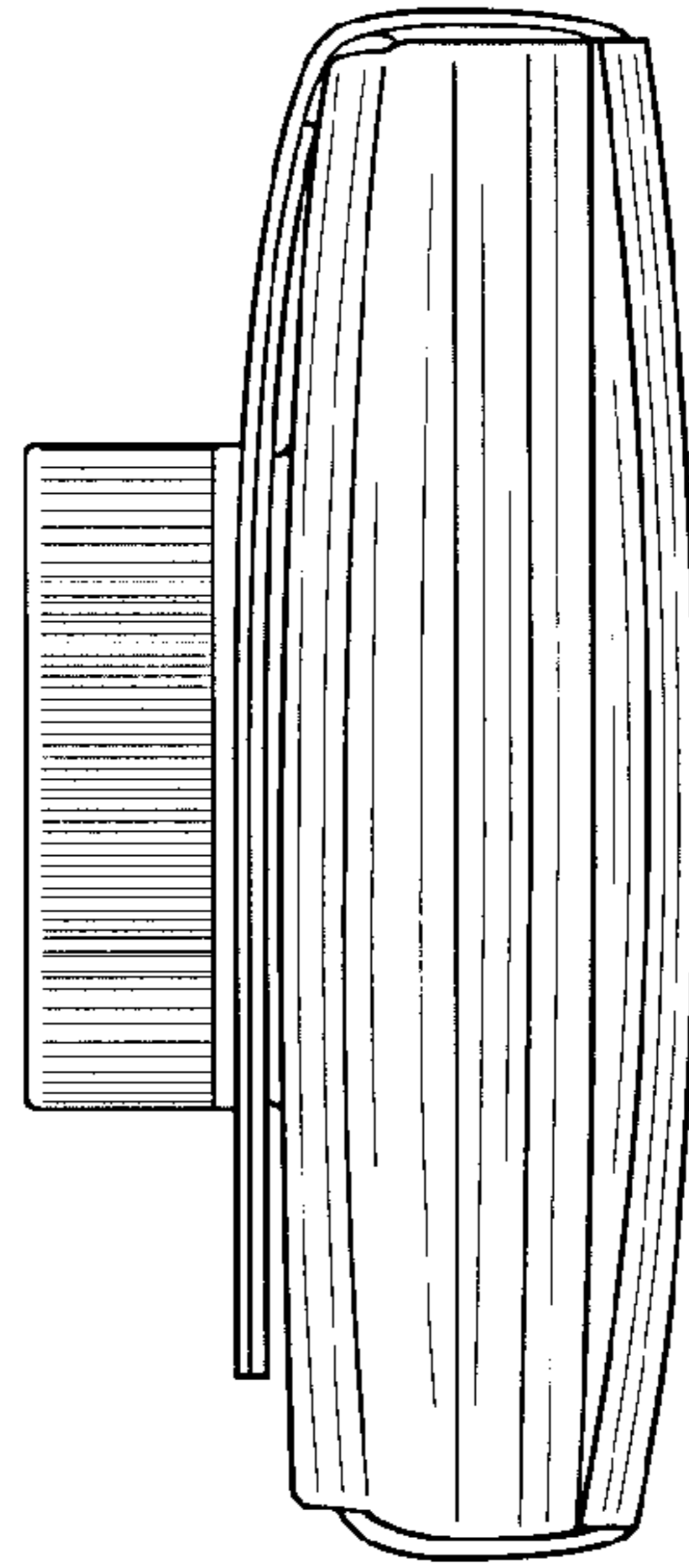


FIG. 5

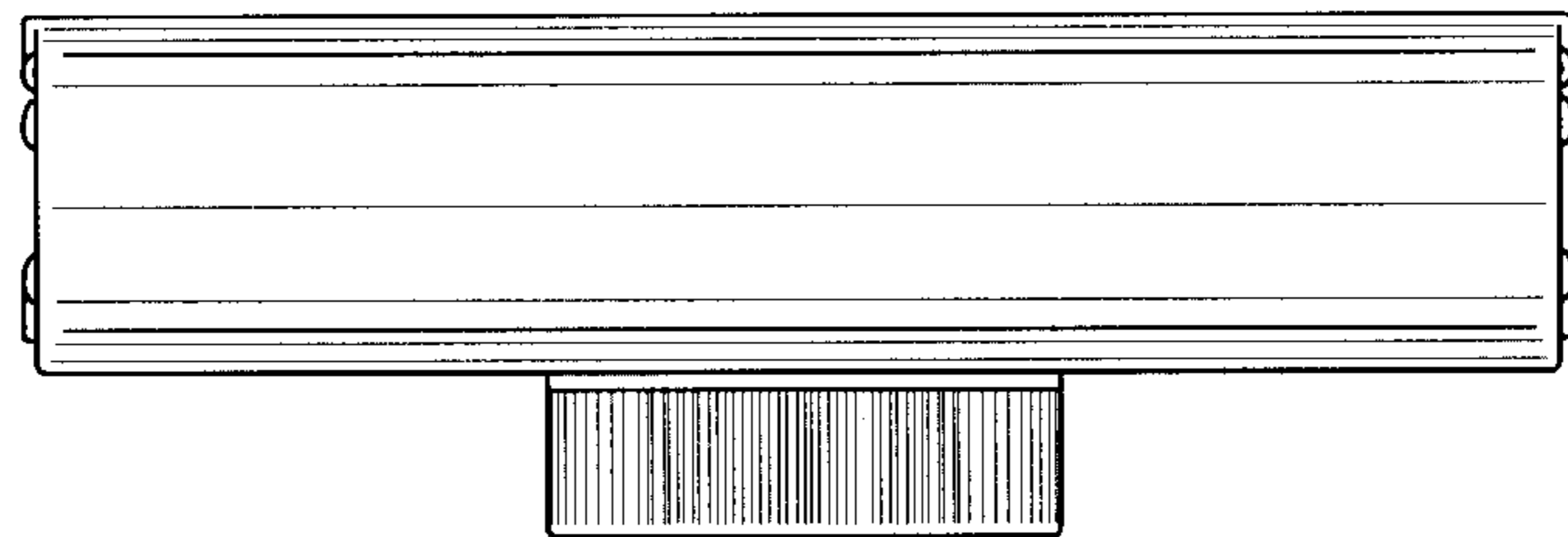


FIG. 6

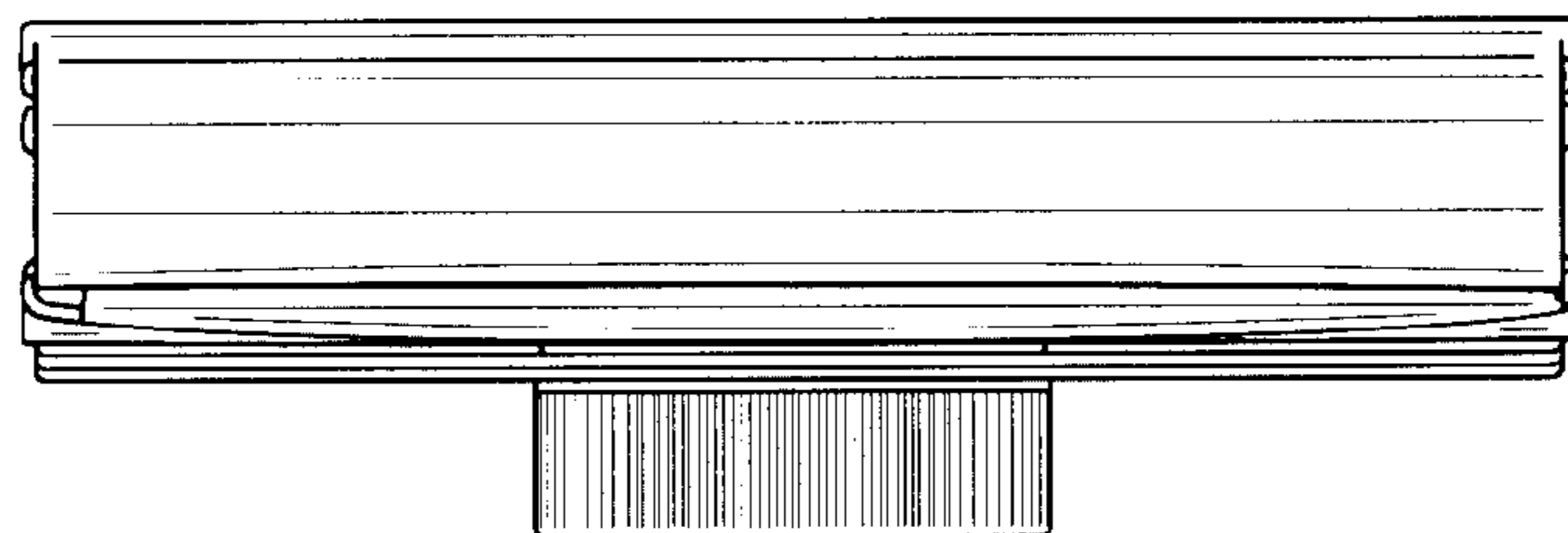


FIG. 7

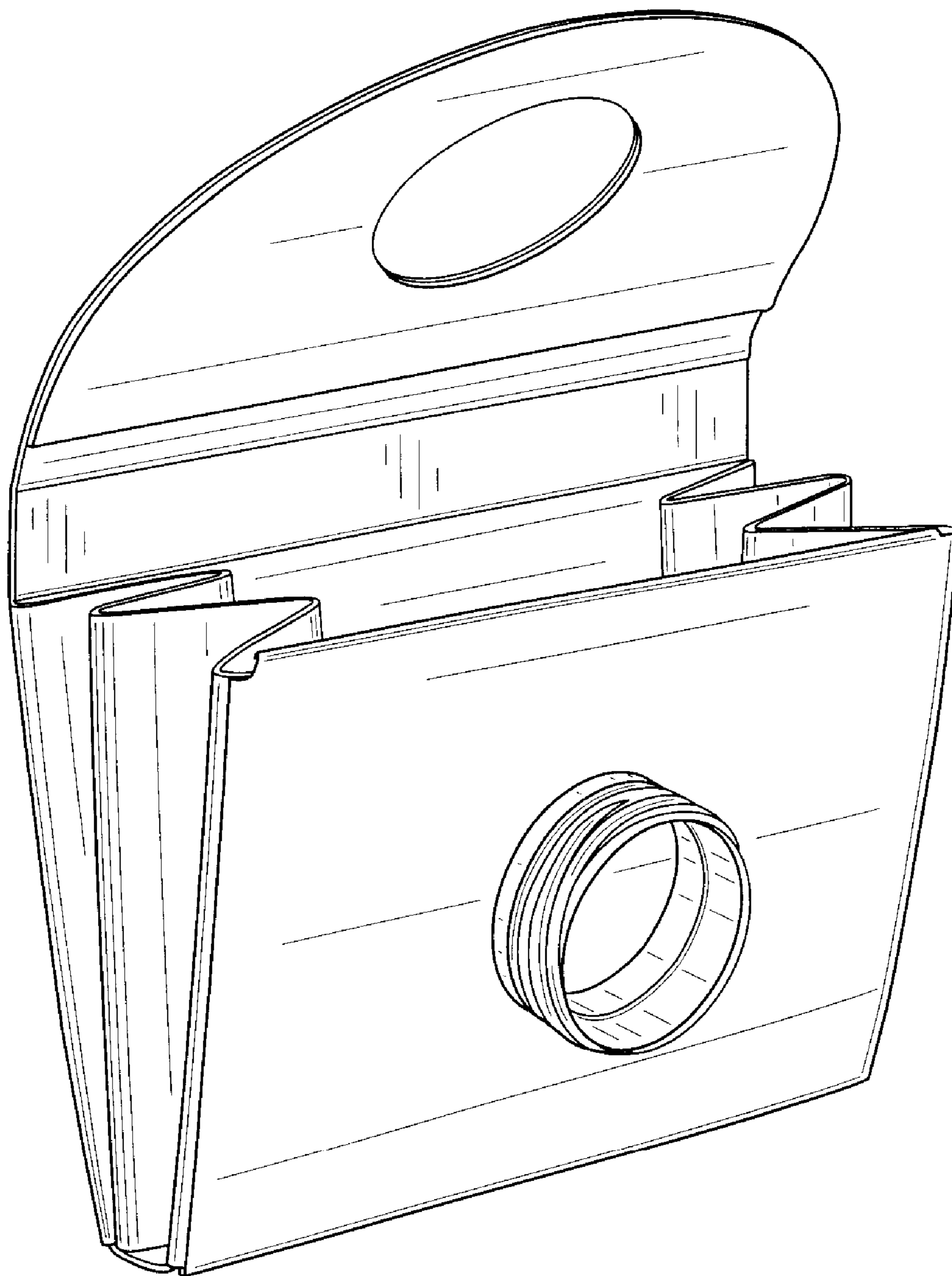


FIG.8

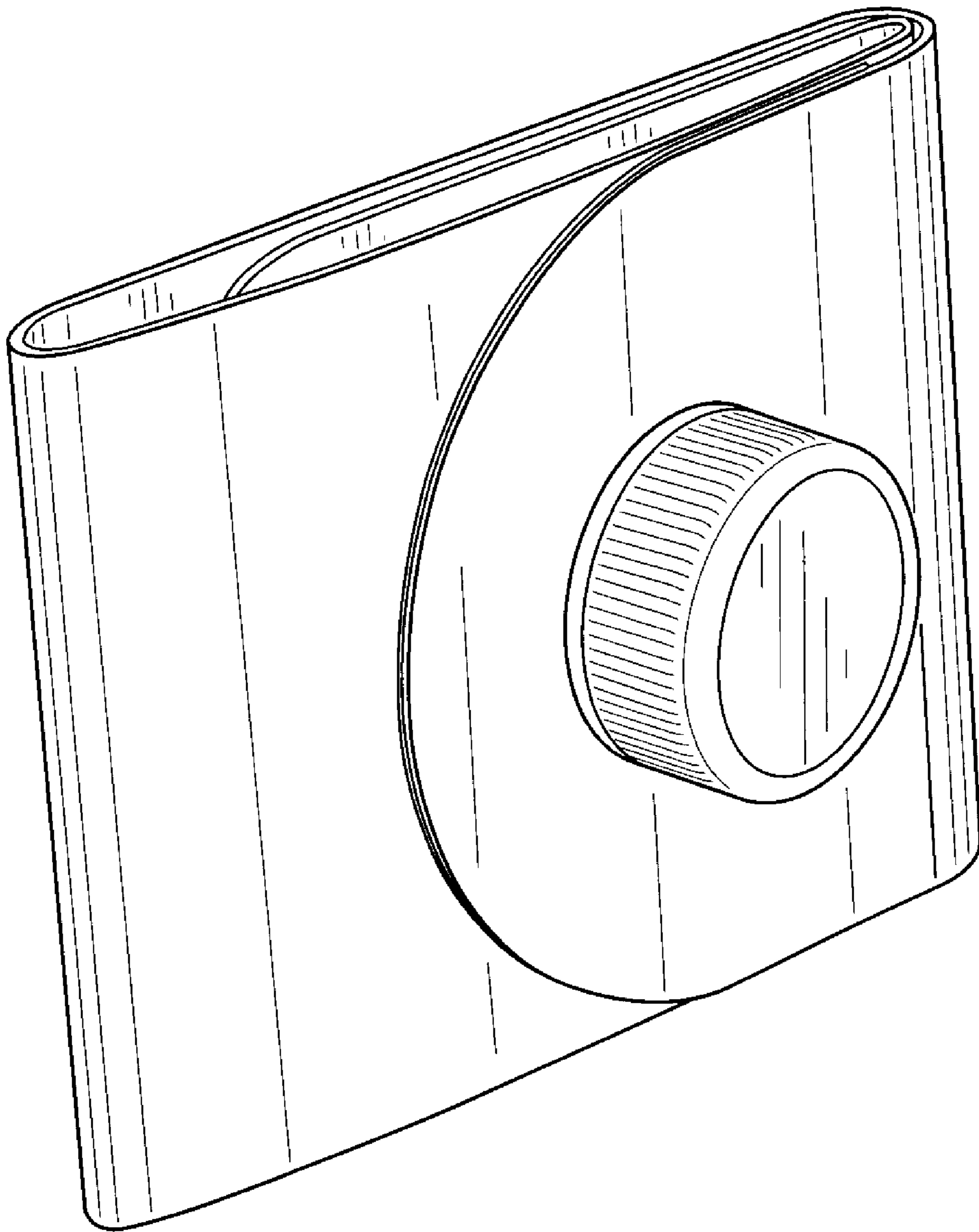


FIG.9

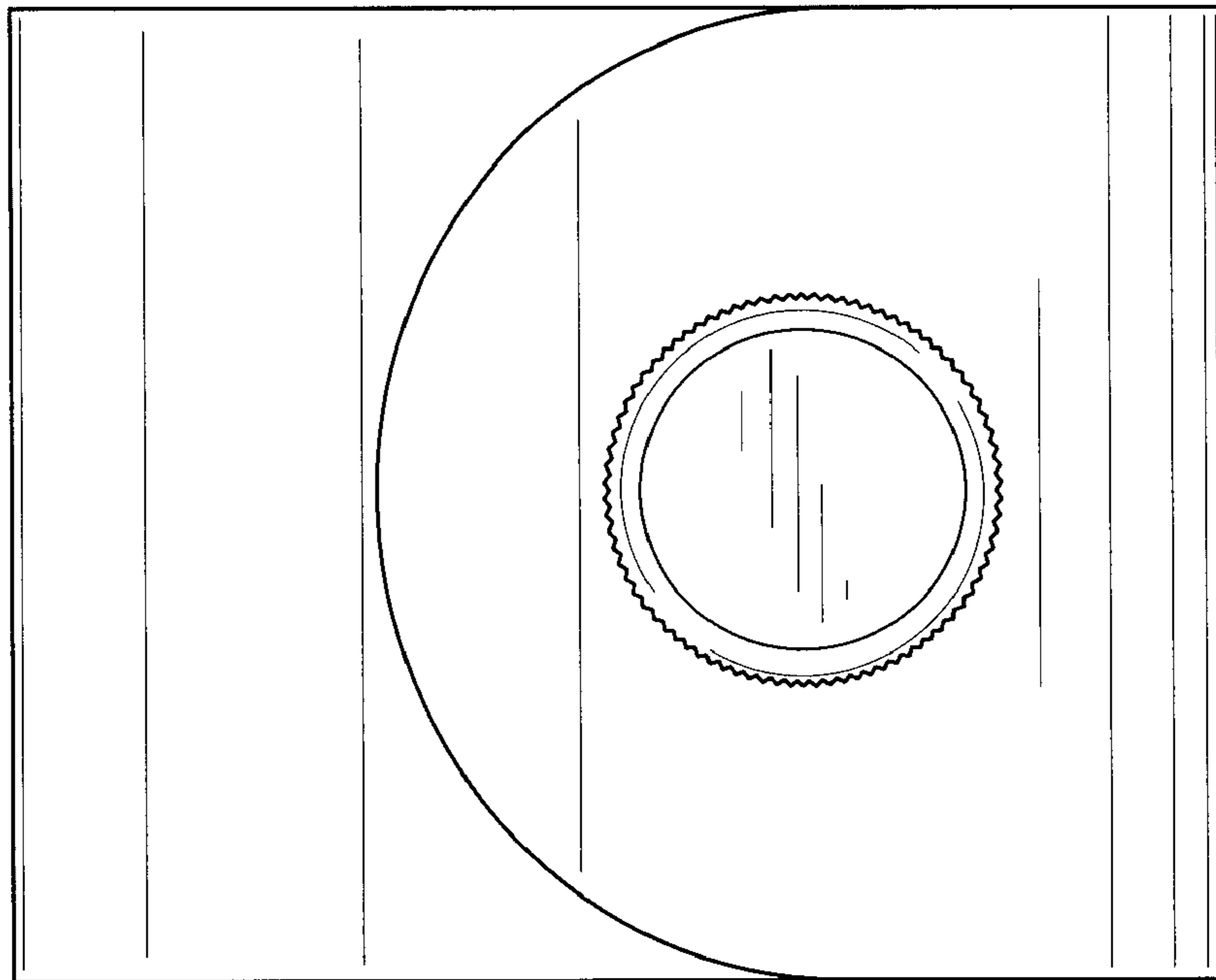


FIG. 10

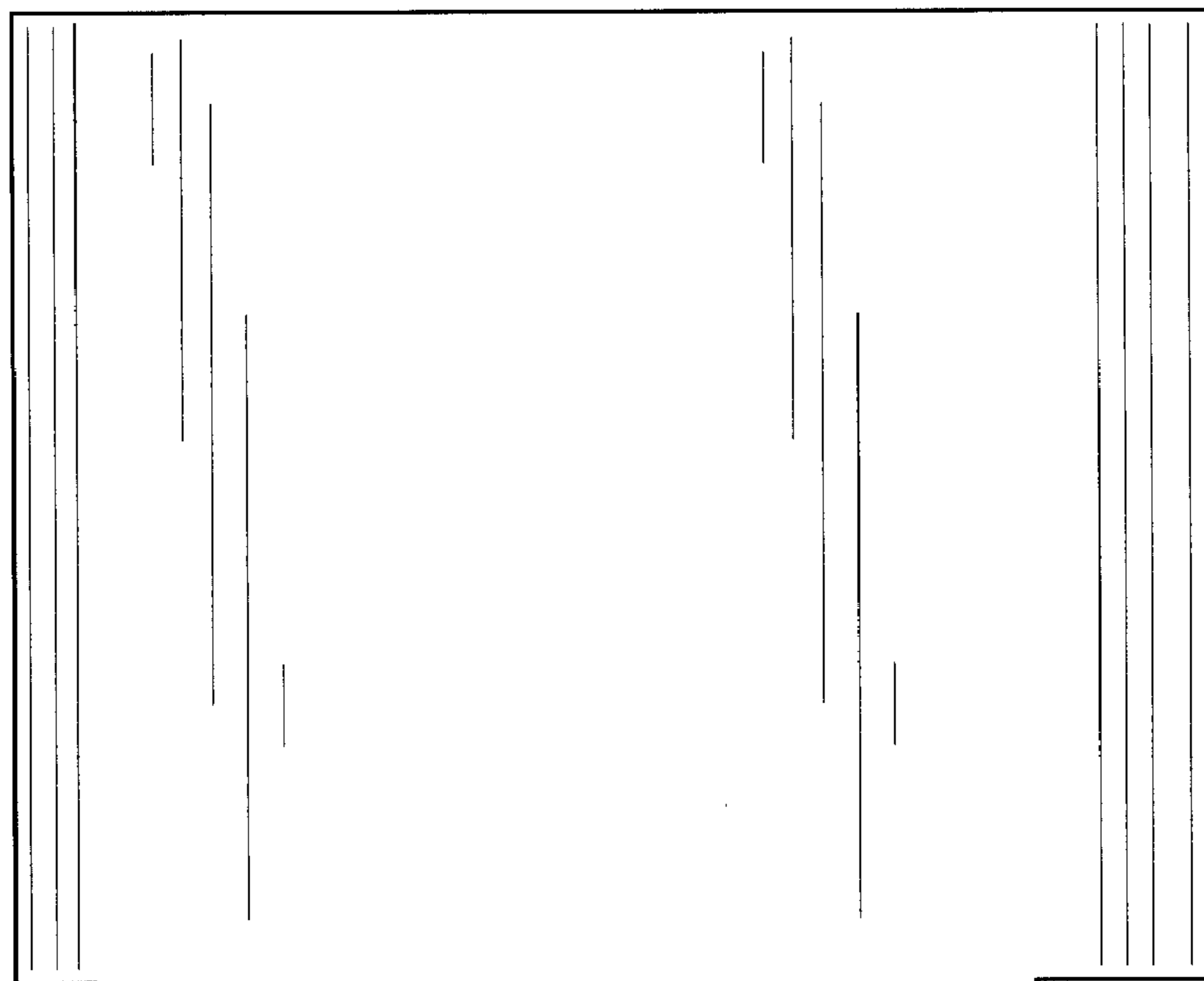


FIG. 11

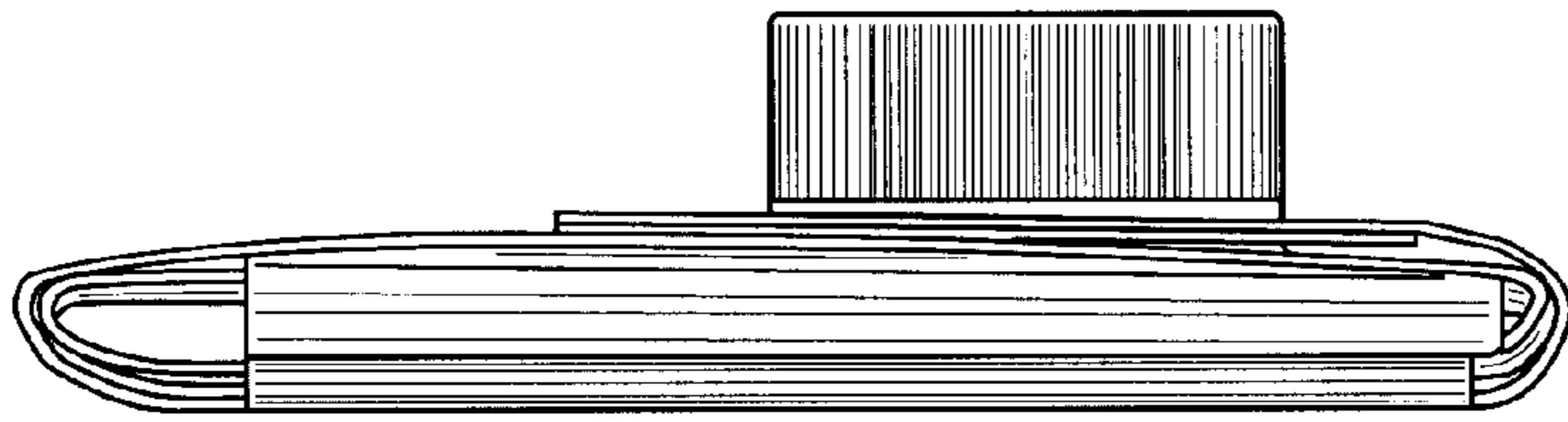


FIG. 12

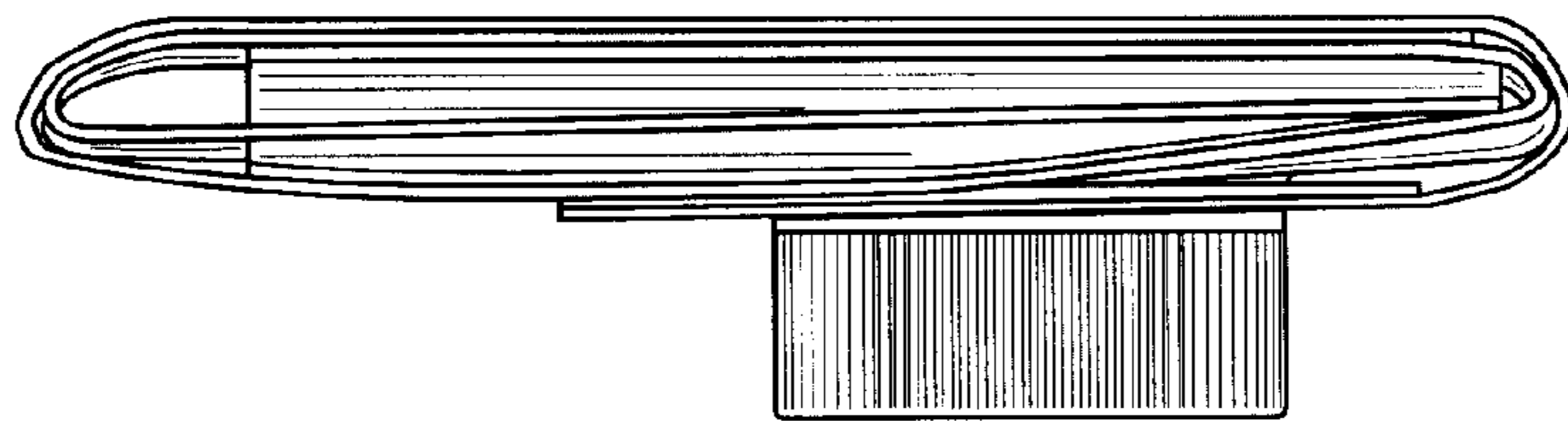


FIG. 13

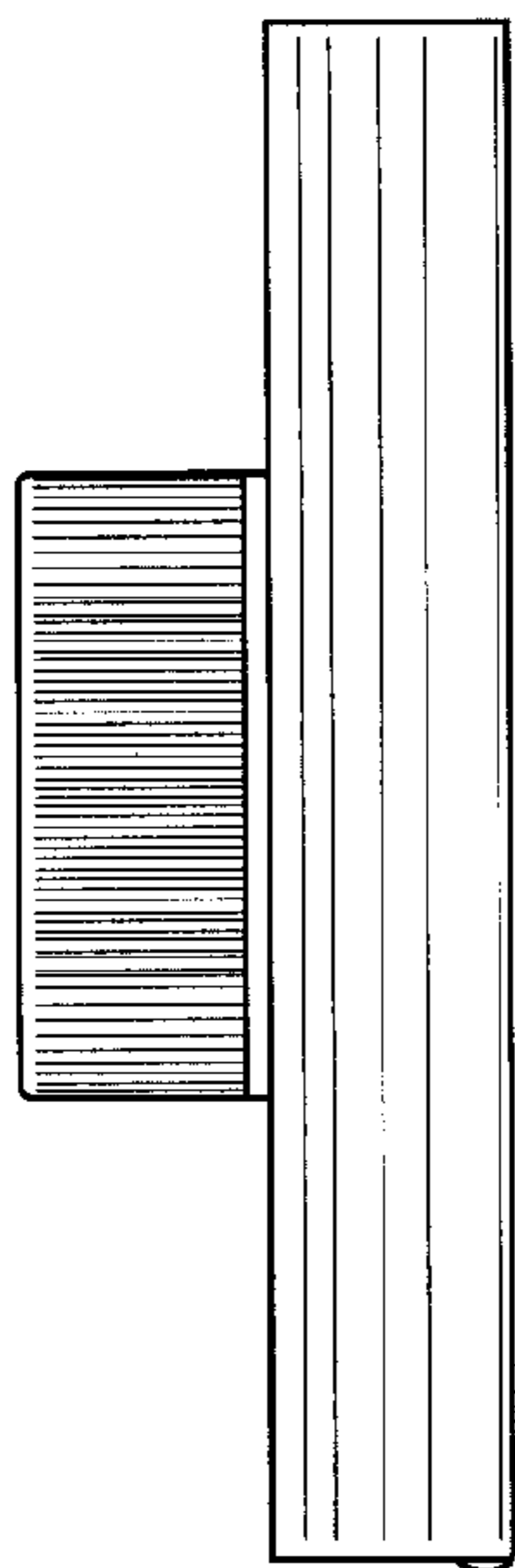


FIG. 14

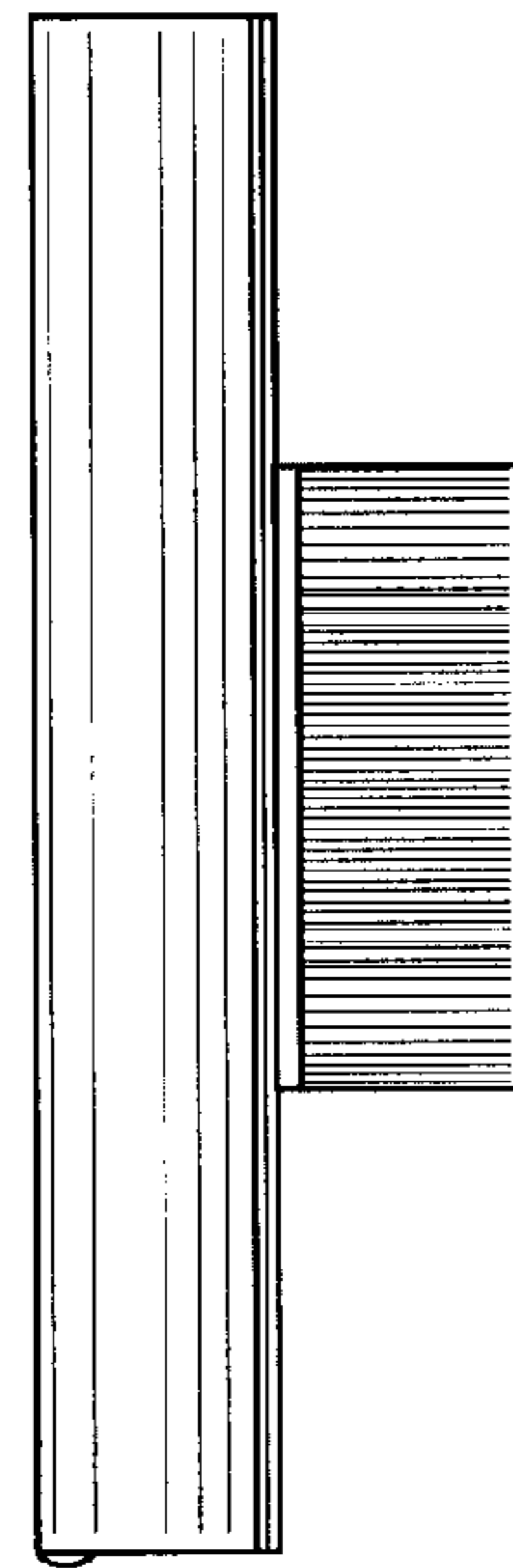


FIG. 15

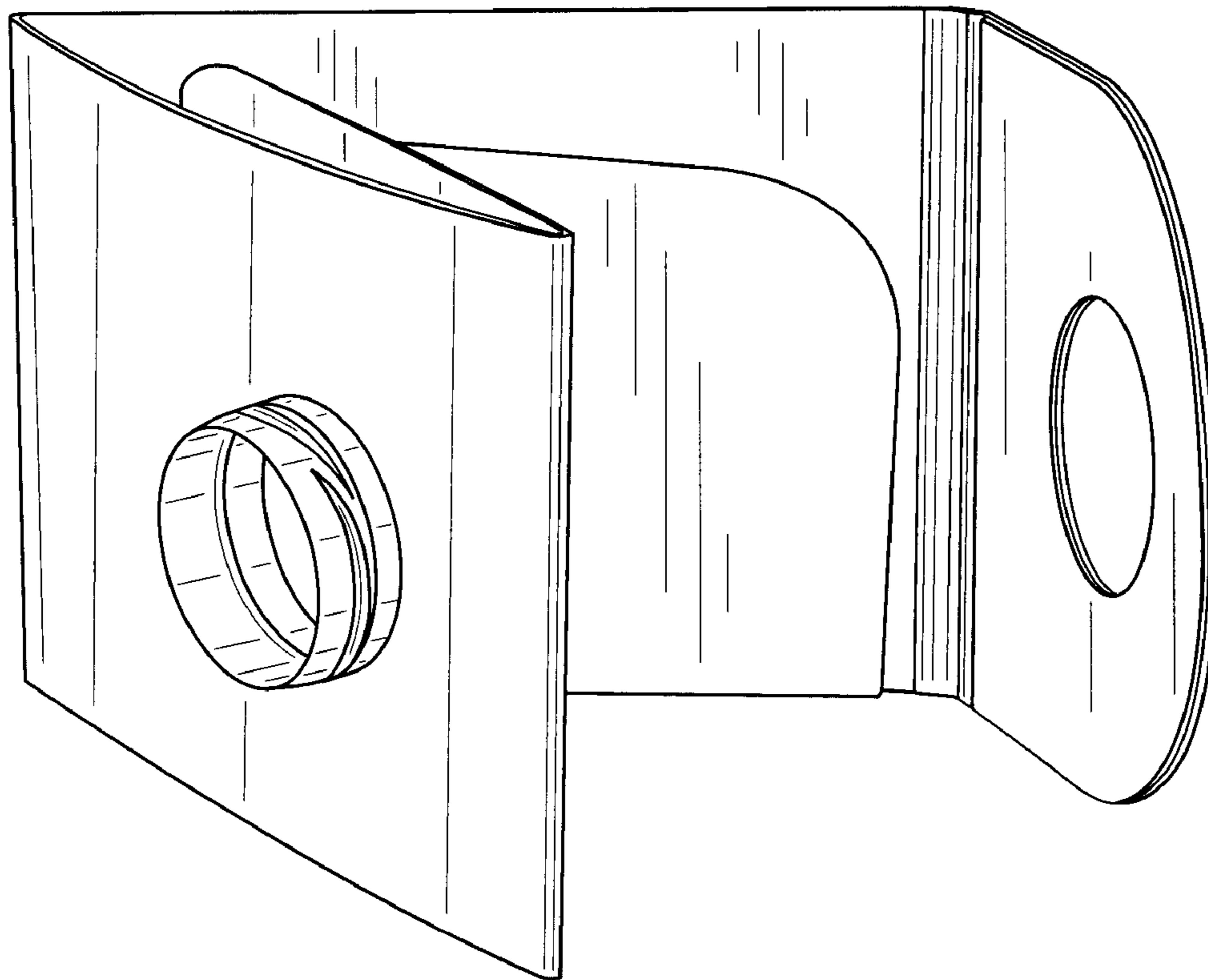


FIG.16