

US00D529280S

(12) **United States Design Patent**
Krieger et al.

(10) **Patent No.:** **US D529,280 S**

(45) **Date of Patent:** **** Oct. 3, 2006**

(54) **HOLDER FOR SECURING
TRANSPORTABLE ELECTRONIC DEVICE
TO BODY**

D397,838 S * 9/1998 Waggoner et al. D2/629
D433,227 S * 11/2000 Evans D3/218
D501,990 S * 2/2005 Carr D3/215
D515,806 S * 2/2006 Rice D3/218

(76) Inventors: **Jonathan Krieger**, 6238 Glide Ave.,
Woodland Hills, CA (US) 91367;
Valerie Krieger, 6238 Glide Ave.,
Woodland Hills, CA (US) 91367

* cited by examiner

Primary Examiner—Catherine R. Oliver
(74) *Attorney, Agent, or Firm*—Elliott N. Kramsky

(**) Term: **14 Years**

(57) **CLAIM**

(21) Appl. No.: **29/233,619**

The ornamental design for a holder for securing transportable electronic device to body, as shown.

(22) Filed: **Jul. 6, 2005**

DESCRIPTION

(51) **LOC (8) Cl.** **03-01**

(52) **U.S. Cl.** **D3/218**

(58) **Field of Classification Search** D3/218,
D3/219, 215, 224, 230, 232–234, 226, 221;
D2/627–629; 224/219, 222, 267
See application file for complete search history.

FIG. 1 is a perspective view of the holder for securing a transportable electronic device showing our new design in a closed position;

FIG. 2 is a front elevational view thereof, shown in an open position; and,

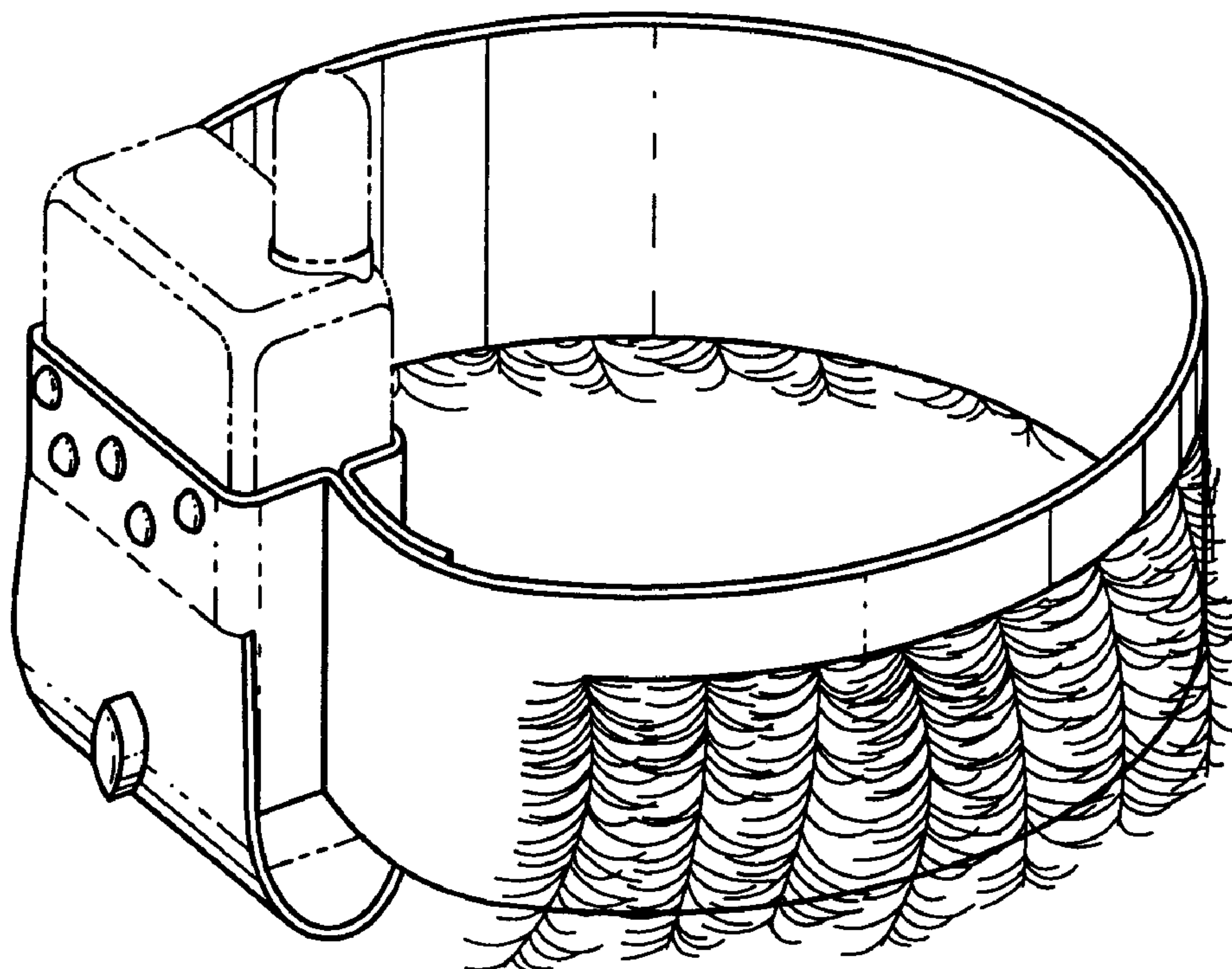
FIG. 3 is a rear elevational view.

(56) **References Cited**

U.S. PATENT DOCUMENTS

D368,367 S * 4/1996 Sharp D3/232

1 Claim, 1 Drawing Sheet



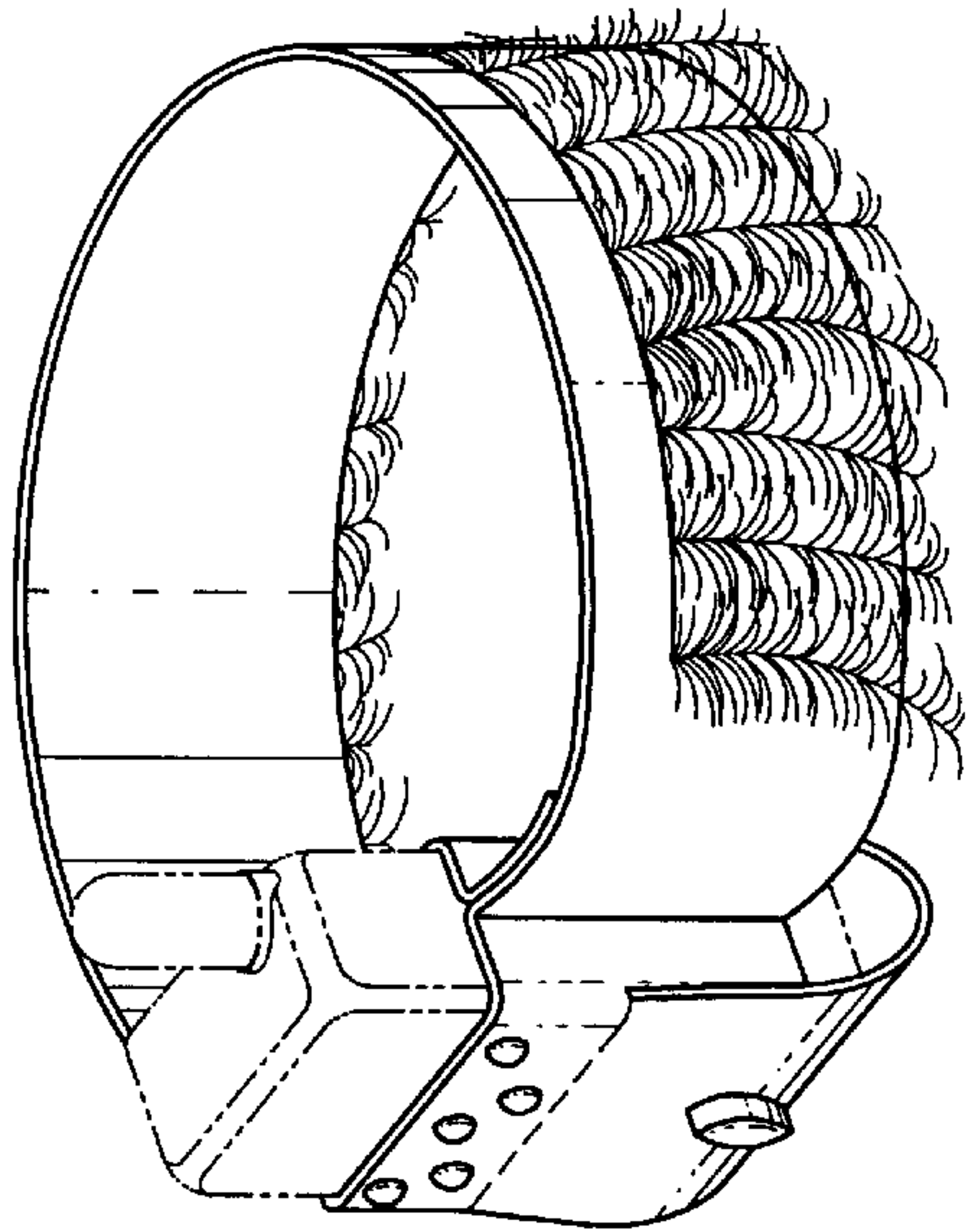


FIG. 1

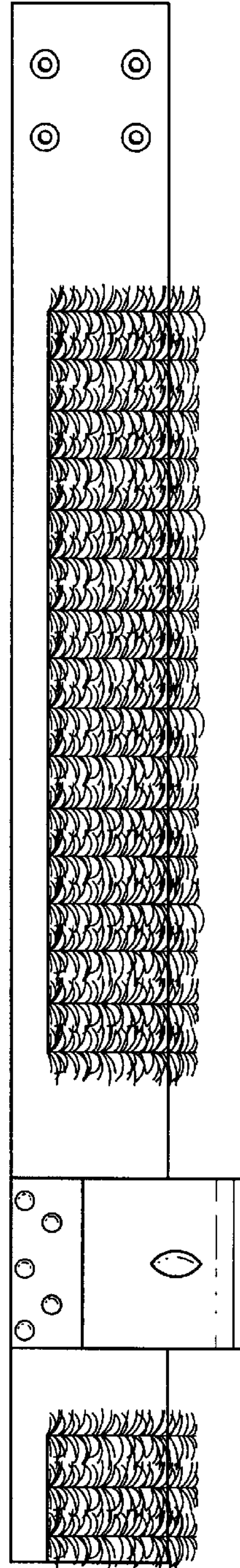


FIG. 2

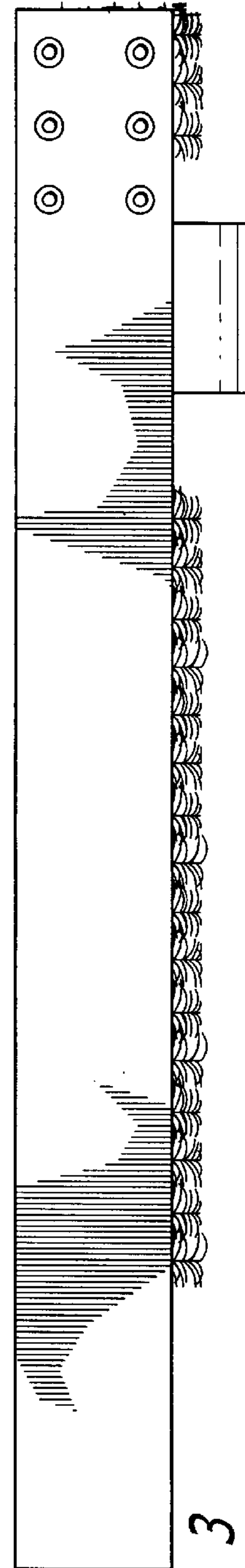


FIG. 3