



US00D529266S

(12) **United States Design Patent** (10) **Patent No.:** **US D529,266 S**
Le (45) **Date of Patent:** **** Oct. 3, 2006**

(54) **PORTION OF AN ARTICLE OF FOOTWEAR**

(75) Inventor: **Tuan Nguyen Le**, Portland, OR (US)

(73) Assignee: **Deckers Outdoor Corporation**, Goleta, CA (US)

(**) Term: **14 Years**

(21) Appl. No.: **29/238,853**

(22) Filed: **Sep. 22, 2005**

(51) **LOC (8) Cl.** **02-04**

(52) **U.S. Cl.** **D2/957; D2/951; D2/953; D2/960**

(58) **Field of Classification Search** D2/902, D2/947-949, 951-957, 959-961, 964; 36/3 B, 36/22 R, 24.5, 25 R, 28, 32 R, 34 R, 67 A, 36/59 C

See application file for complete search history.

(56) **References Cited**

U.S. PATENT DOCUMENTS

D275,148 S	*	8/1984	Bergmans	D2/956
D332,690 S	*	1/1993	Truelsen	D2/954
D377,711 S	*	2/1997	Hawker	D2/954
D398,143 S	*	9/1998	Meyer	D2/951
D399,345 S	*	10/1998	Koh	D2/960
D401,040 S	*	11/1998	Schneider	D2/951
D401,045 S	*	11/1998	Greenberg	D2/960
D404,899 S	*	2/1999	von Conta	D2/957
D429,062 S	*	8/2000	Santa	D2/954
D432,766 S	*	10/2000	von Conta	D2/957
D435,333 S	*	12/2000	Robbins et al.	D2/957
D440,748 S	*	4/2001	Morgan	D2/957
D453,065 S	*	1/2002	Roulo	D2/957
D464,477 S	*	10/2002	Adams	D2/960

D475,183 S	*	6/2003	McClaskie	D2/957
D475,514 S	*	6/2003	Burg et al.	D2/960
D476,799 S	*	7/2003	Fuerst	D2/957
D478,717 S	*	8/2003	Adams	D2/960
D479,035 S	*	9/2003	Adams et al.	D2/959
D496,525 S	*	9/2004	Dykstra	D2/960
D504,205 S	*	4/2005	Andrews-Kramer	D2/960
D515,793 S	*	2/2006	Huard	D2/957

OTHER PUBLICATIONS

Deckers Outdoor Corporation, UGG Australia Fall-Winter 2003 Catalog, p. 5,12,13 and all others.

* cited by examiner

Primary Examiner—Celia A. Murphy

(74) *Attorney, Agent, or Firm*—Greer, Burns & Crain, Ltd.

(57) **CLAIM**

The ornamental design for a portion of an article of footwear, as shown and described.

DESCRIPTION

FIG. 1 is a perspective view of a portion of an article of footwear showing my new design;

FIG. 2 is a bottom plan view of the article of FIG. 1.

FIG. 3 is a left side elevational view thereof;

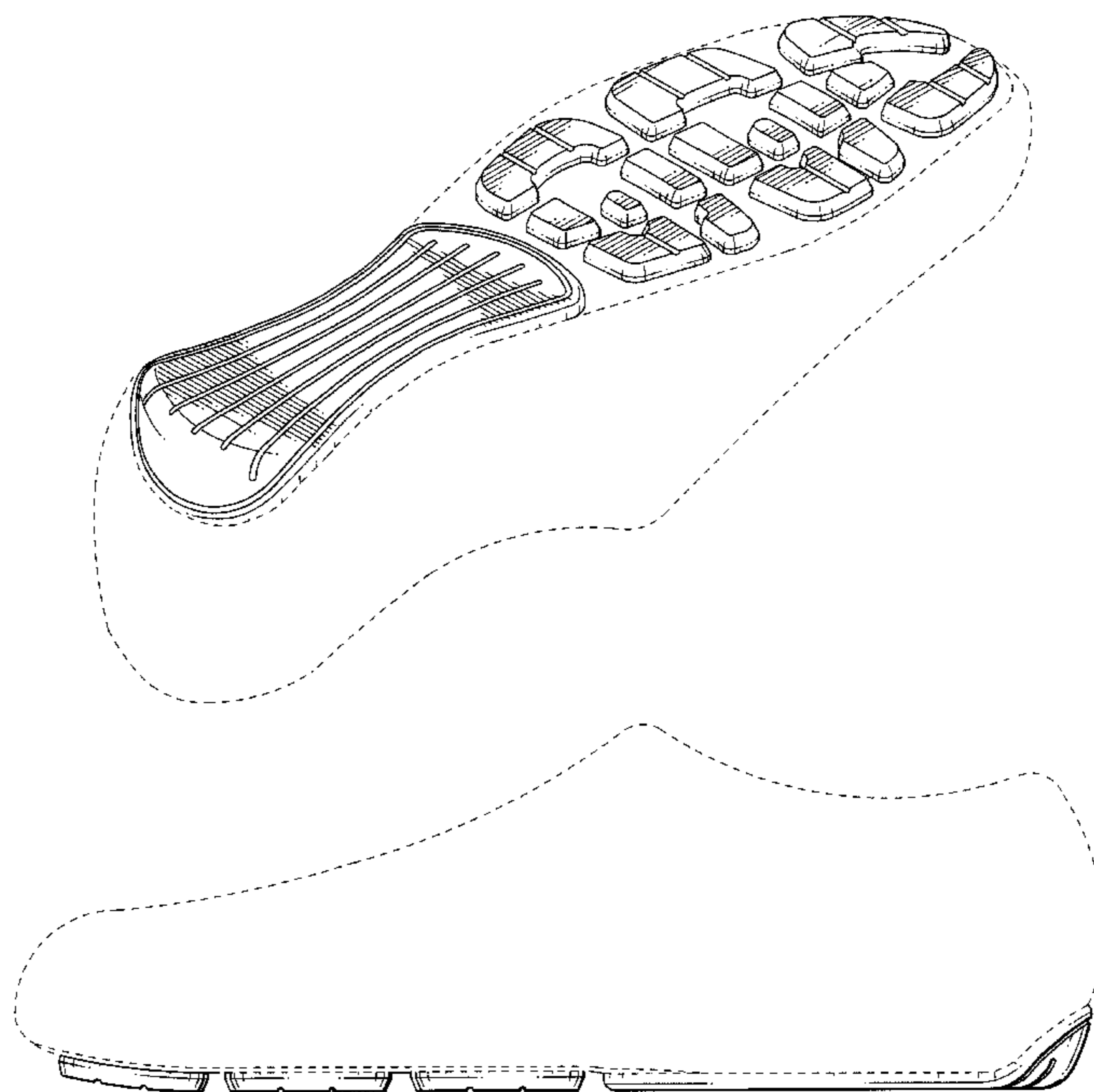
FIG. 4 is a right side elevational view thereof;

FIG. 5 is a front elevational view of the article of FIG. 1; and,

FIG. 6 is a rear elevational view of the article of FIG. 1.

The broken lines shown in FIGS. 1-6 immediately adjacent the shaded areas represent the bounds of the claimed design while all other broken lines are directed to environment and are for illustrative purposes only; the broken lines form no part of the claimed design.

1 Claim, 5 Drawing Sheets



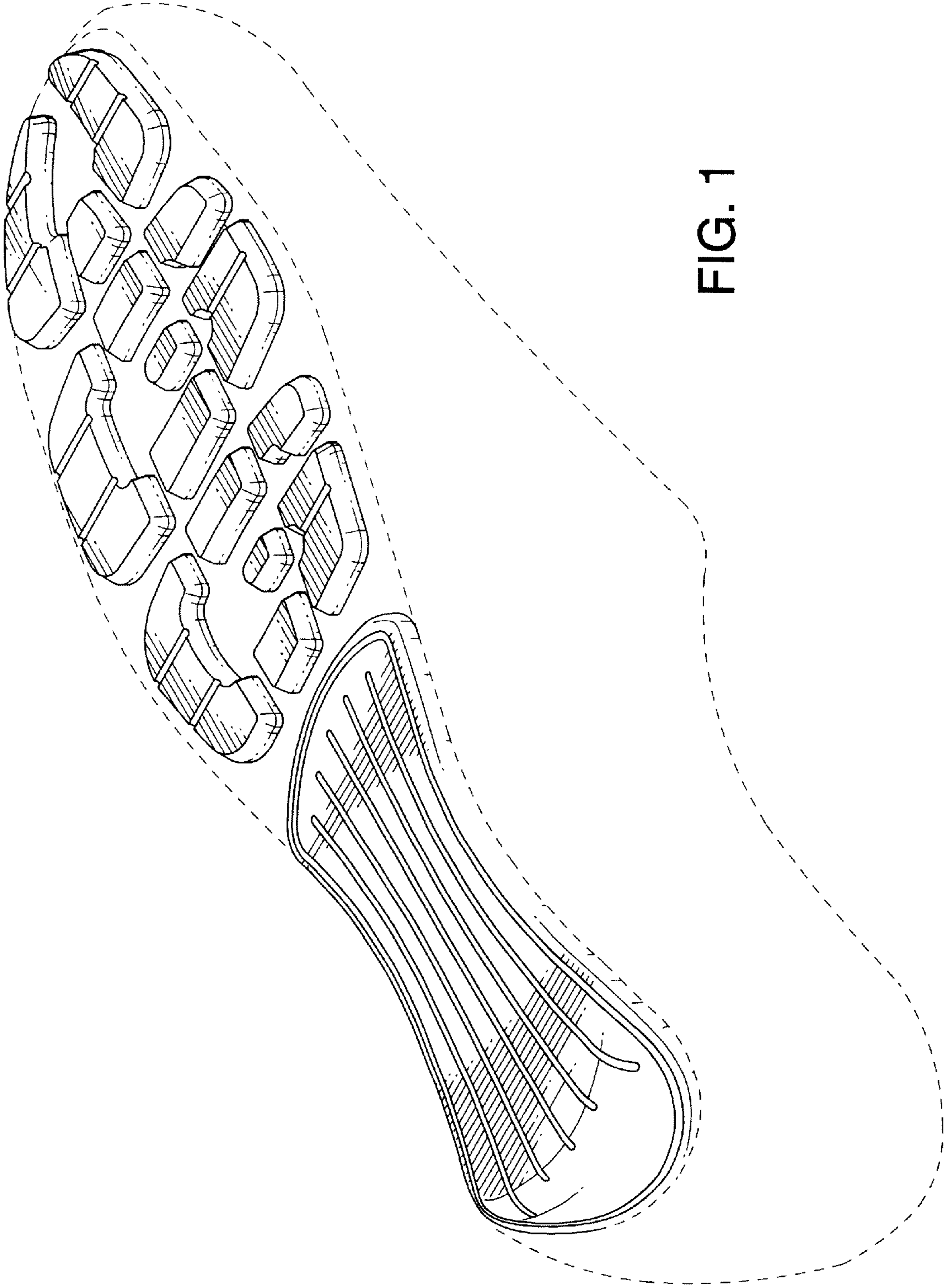


FIG. 1

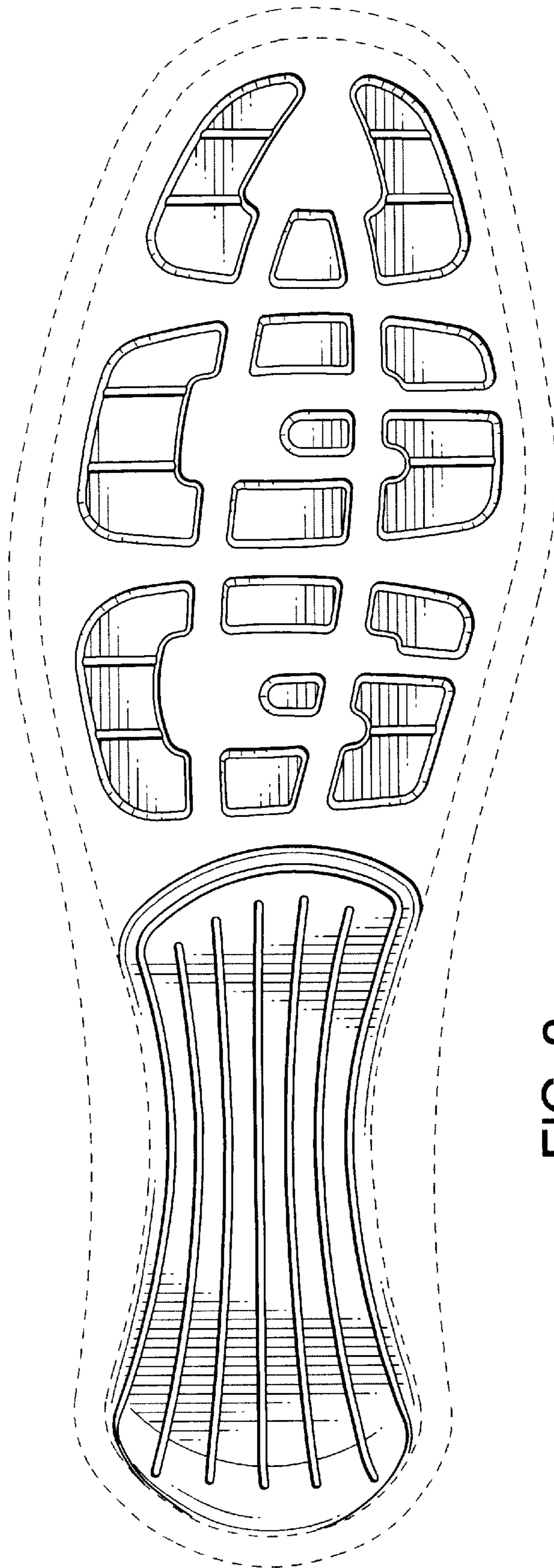


FIG. 2

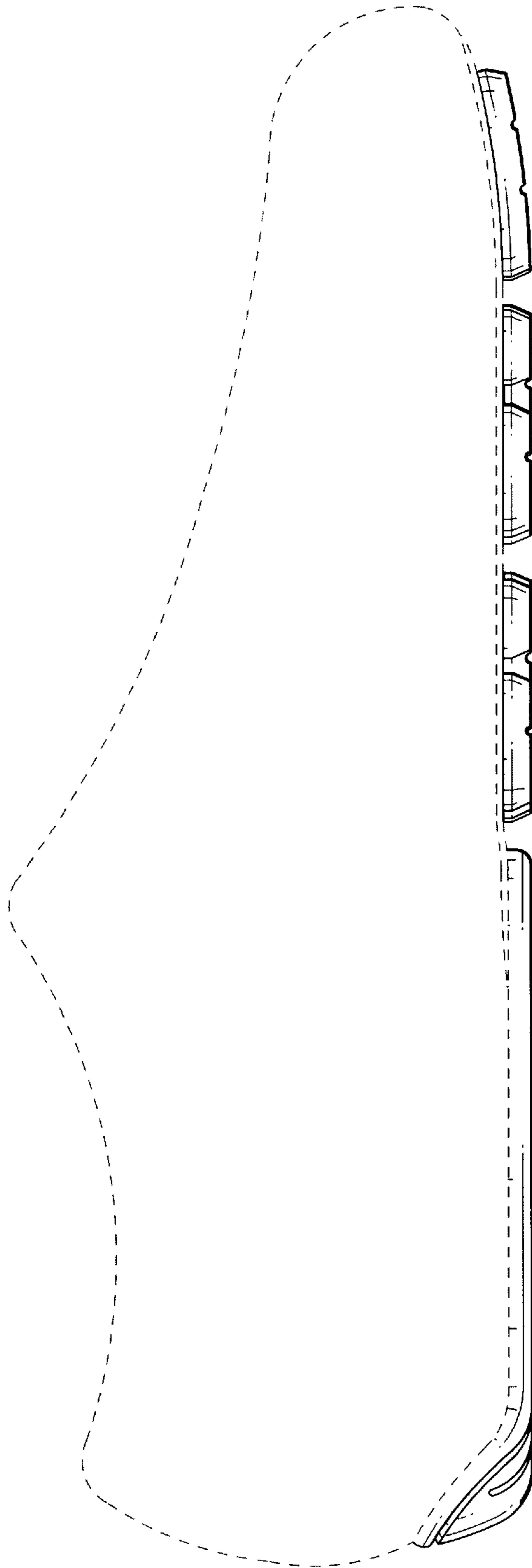


FIG. 3

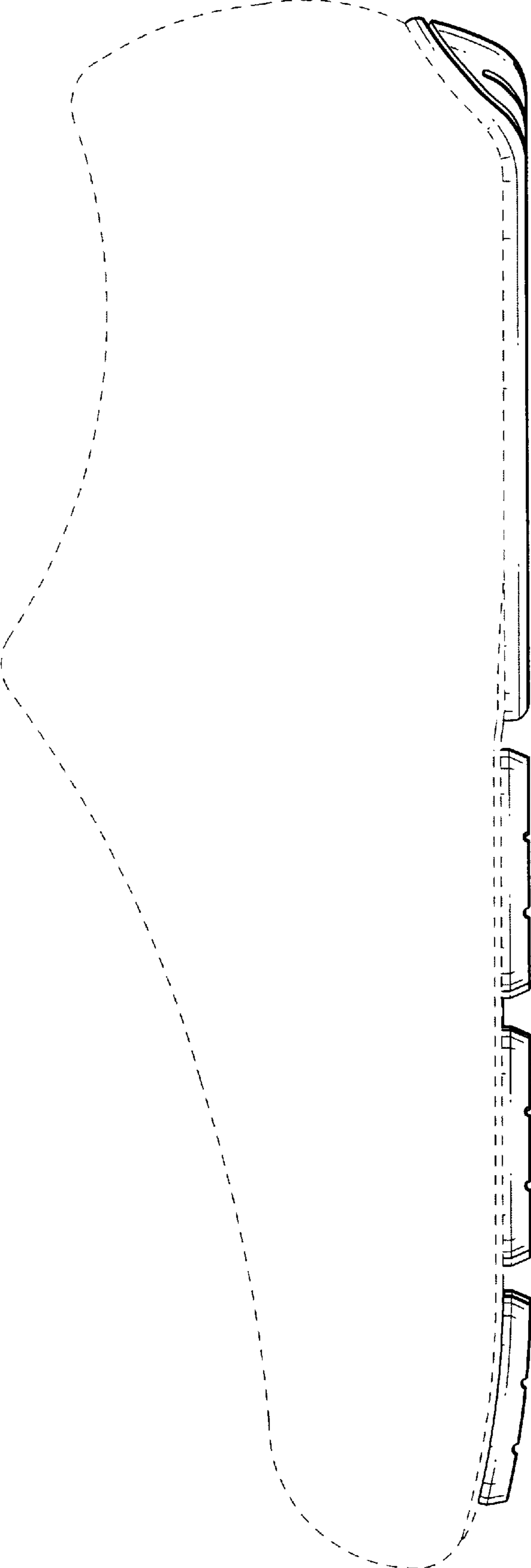


FIG. 4

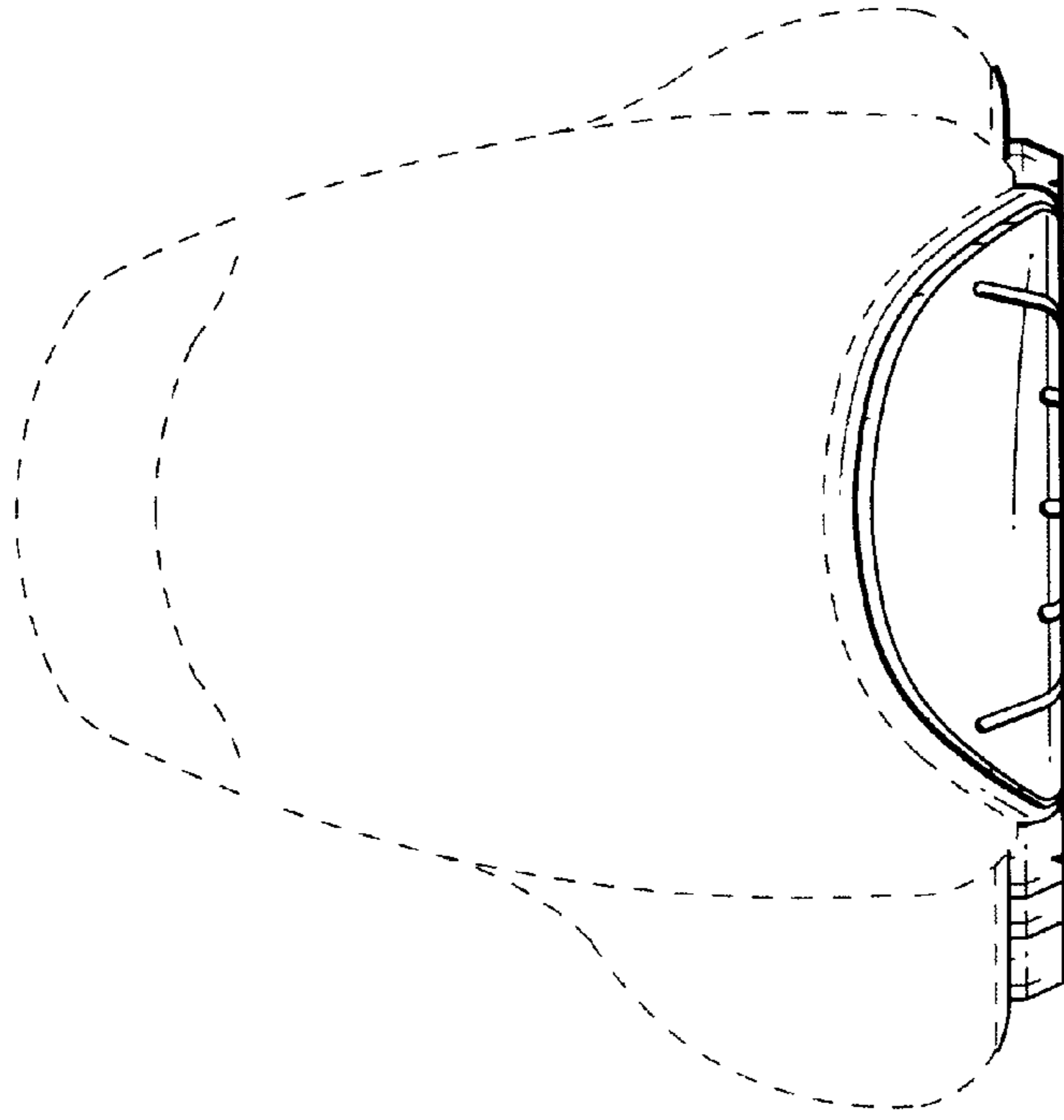


FIG. 6

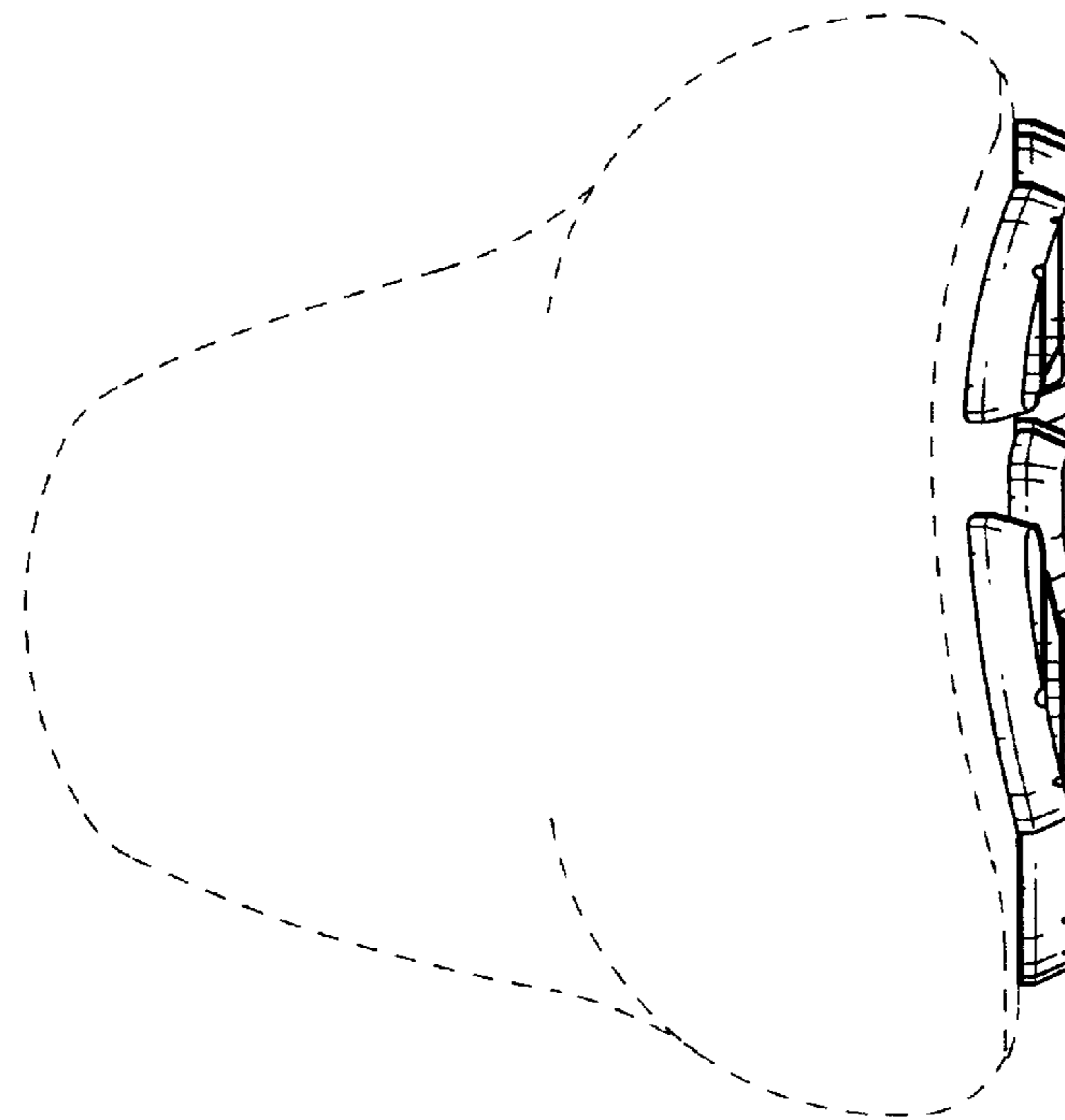


FIG. 5