

US00D529258S

(12) **United States Design Patent**  
**Naito**

(10) **Patent No.:** **US D529,258 S**

(45) **Date of Patent:** **\*\* Oct. 3, 2006**

(54) **DIGITAL CAMERA**

(75) Inventor: **Yoshitaka Naito**, Ome (JP)

(73) Assignee: **Olympus Imaging Corporation**, Tokyo (JP)

(\*\*) Term: **14 Years**

(21) Appl. No.: **29/221,889**

(22) Filed: **Jan. 20, 2005**

(51) **LOC (8) Cl.** ..... **16-01**

(52) **U.S. Cl.** ..... **D1/219; D16/202**

(58) **Field of Classification Search** ..... D16/200-206,  
D16/208, 209, 218, 219; 348/373-376; 358/909.1;  
396/535-541

See application file for complete search history.

(56) **References Cited**

**U.S. PATENT DOCUMENTS**

- D446,536 S \* 8/2001 Kim ..... D16/209
- D447,759 S \* 9/2001 Jin ..... D16/209
- D450,073 S \* 11/2001 Sumita ..... D16/202
- 6,461,060 B1 \* 10/2002 Omiya ..... 396/538

- D495,351 S \* 8/2004 Yi ..... D16/218
- D505,685 S \* 5/2005 Yoshida ..... D16/219
- D508,254 S \* 8/2005 Fujii ..... D16/219

\* cited by examiner

*Primary Examiner*—Adir Aronovich

(74) *Attorney, Agent, or Firm*—Hogan & Hartson LLP

(57) **CLAIM**

The ornamental design for a digital camera, as shown and described.

**DESCRIPTION**

FIG. 1 is a front, top and left side perspective view of the digital camera;

FIG. 2 is a rear, top and left side perspective view thereof;

FIG. 3 is a top plan view thereof;

FIG. 4 is a front elevational view thereof;

FIG. 5 is a bottom plan view thereof;

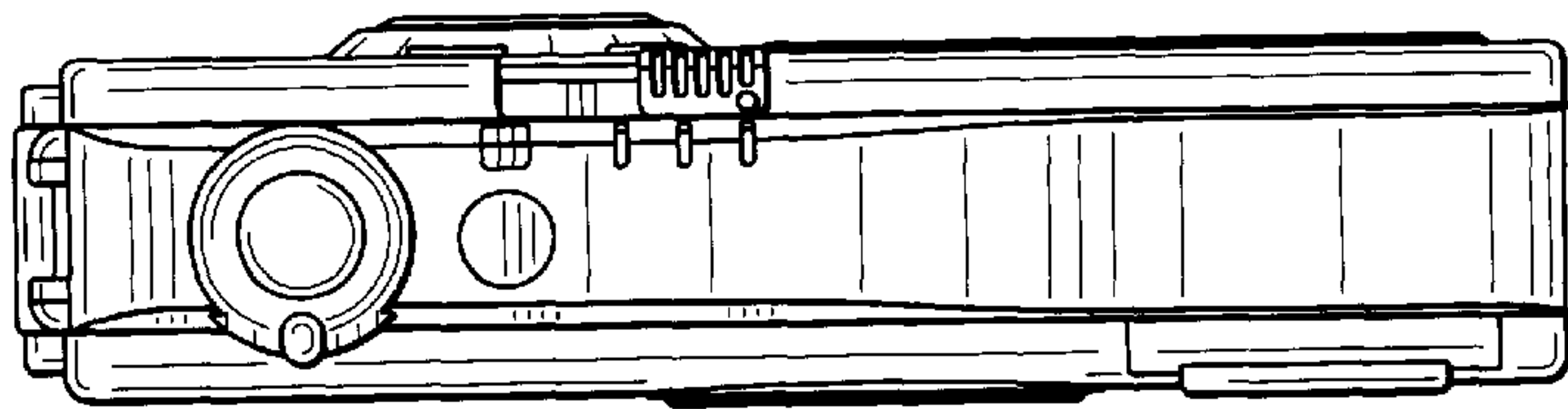
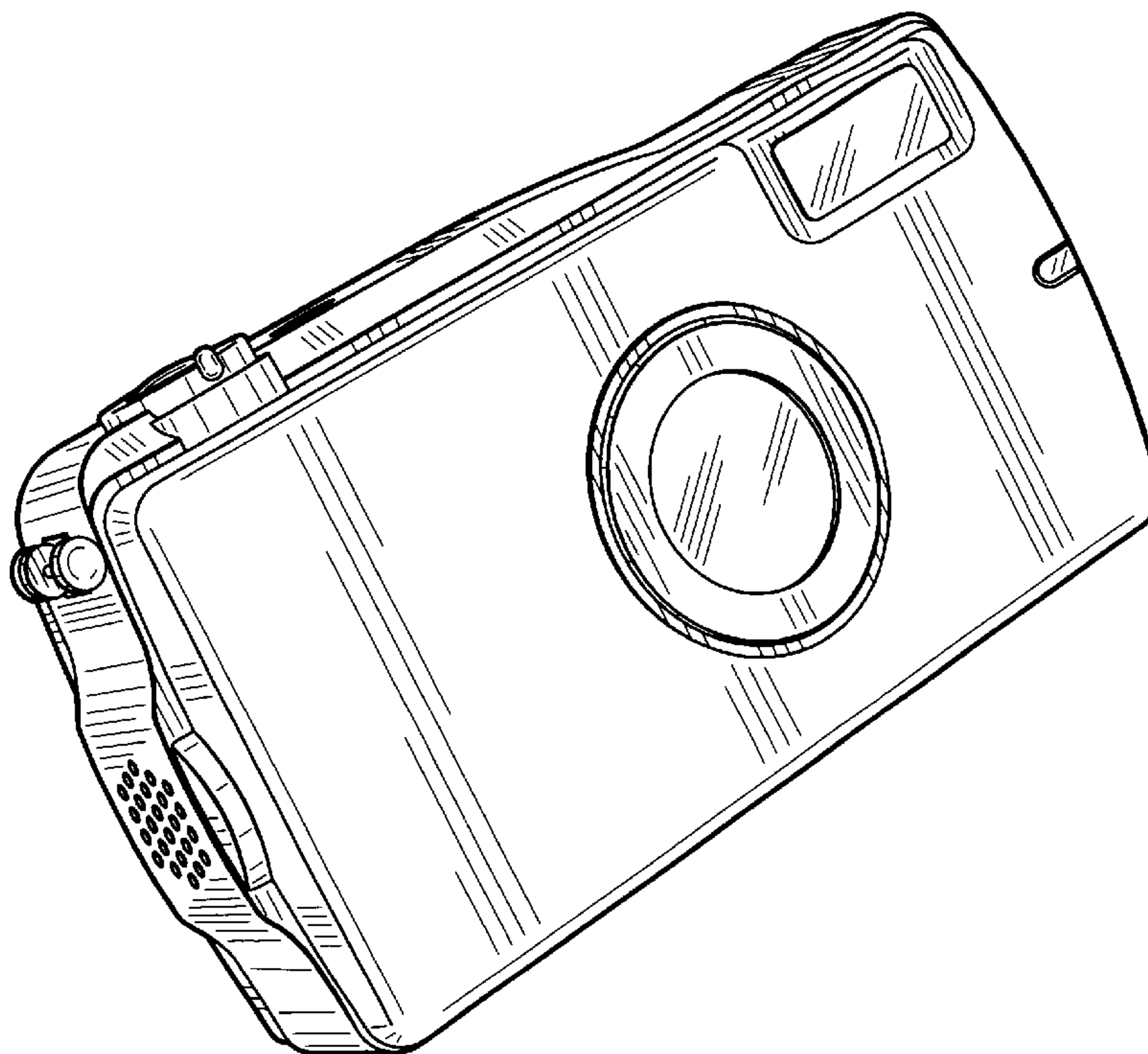
FIG. 6 is a left side elevational view thereof;

FIG. 7 is a right side elevational view thereof; and,

FIG. 8 is a rear elevational view thereof.

The broken lines are for illustrative purposes only and form no part of the claimed design.

**1 Claim, 3 Drawing Sheets**



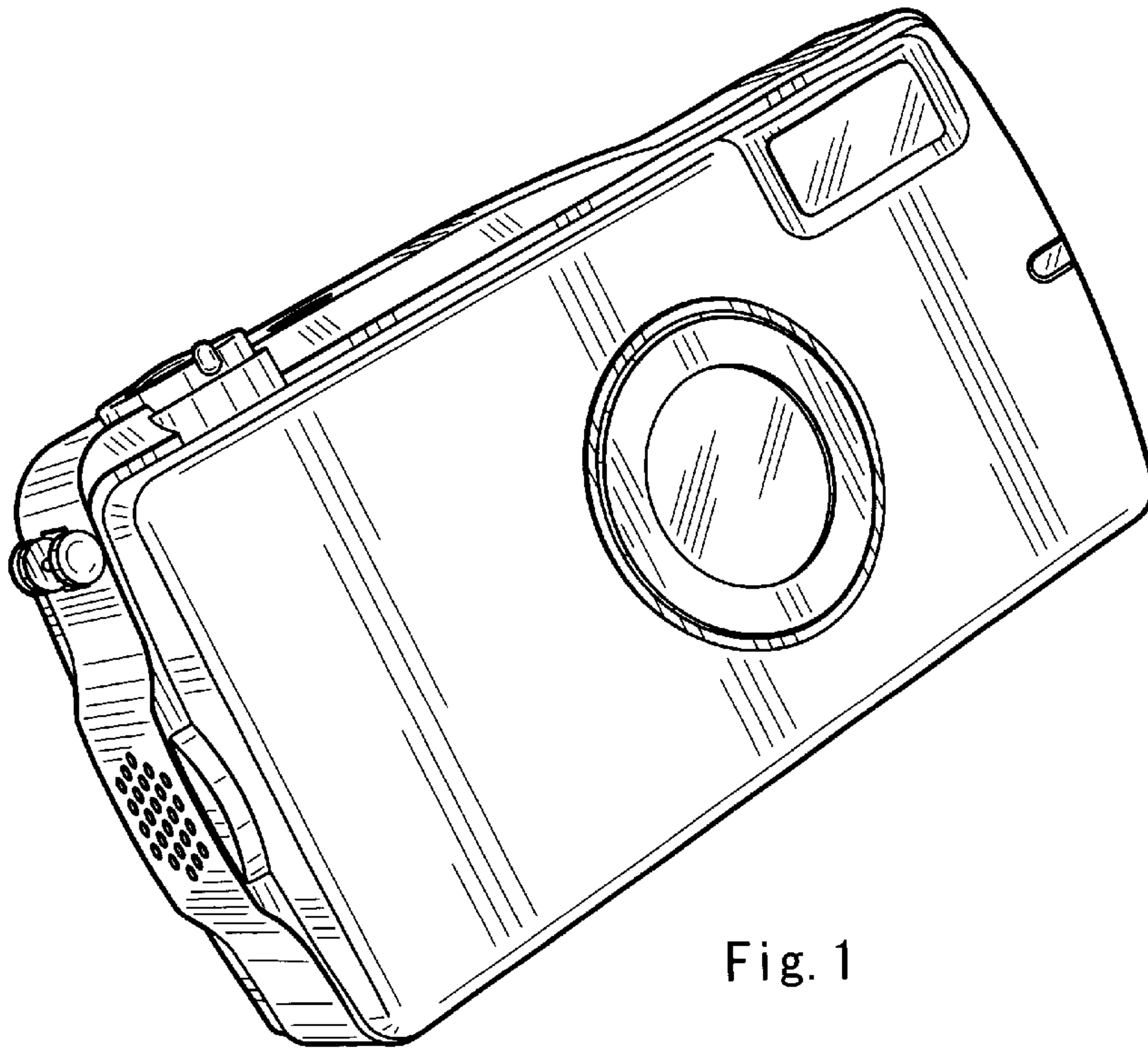


Fig. 1

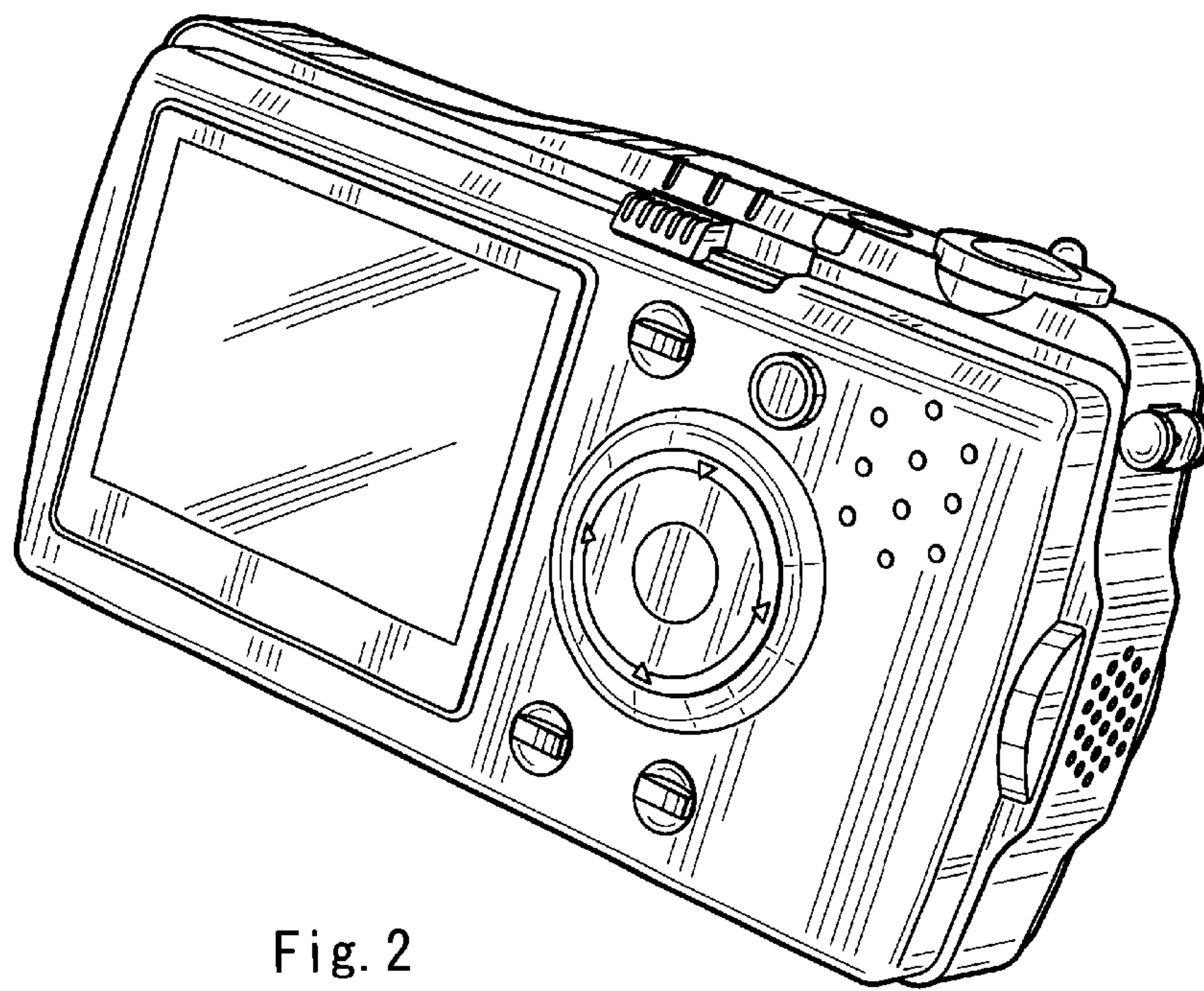


Fig. 2

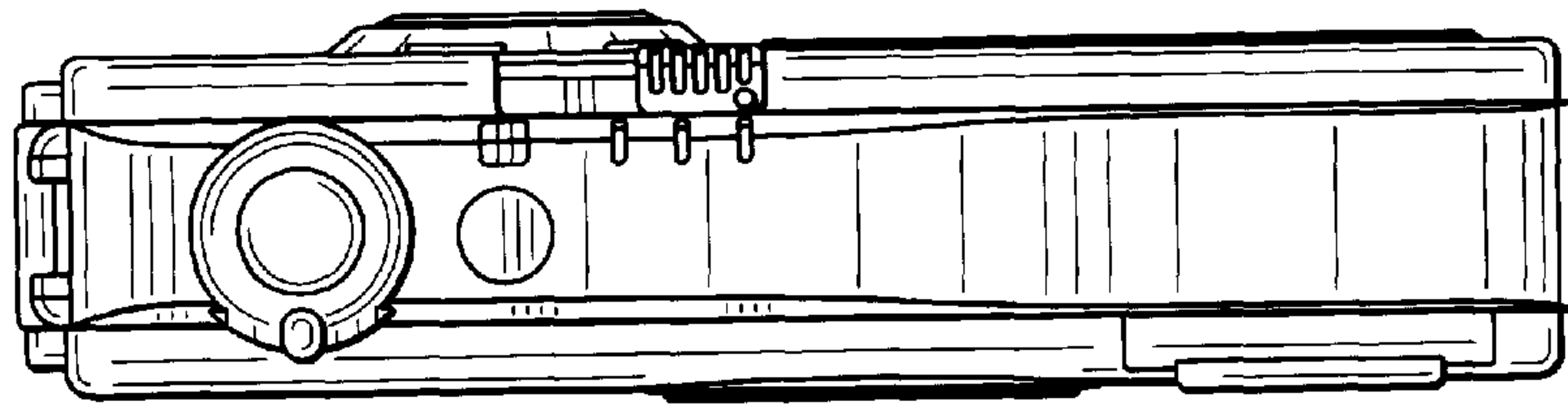


Fig. 3

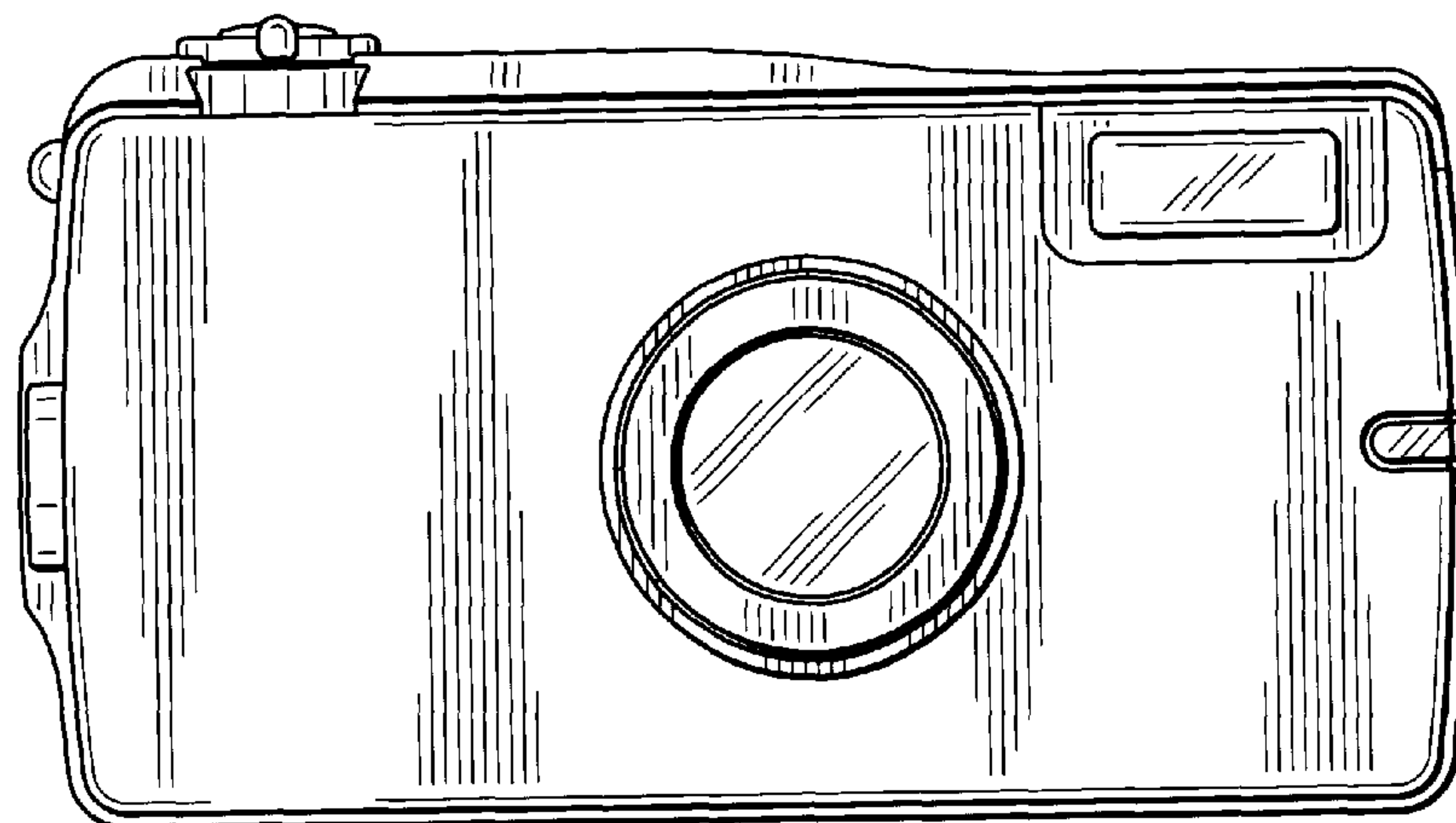


Fig. 4

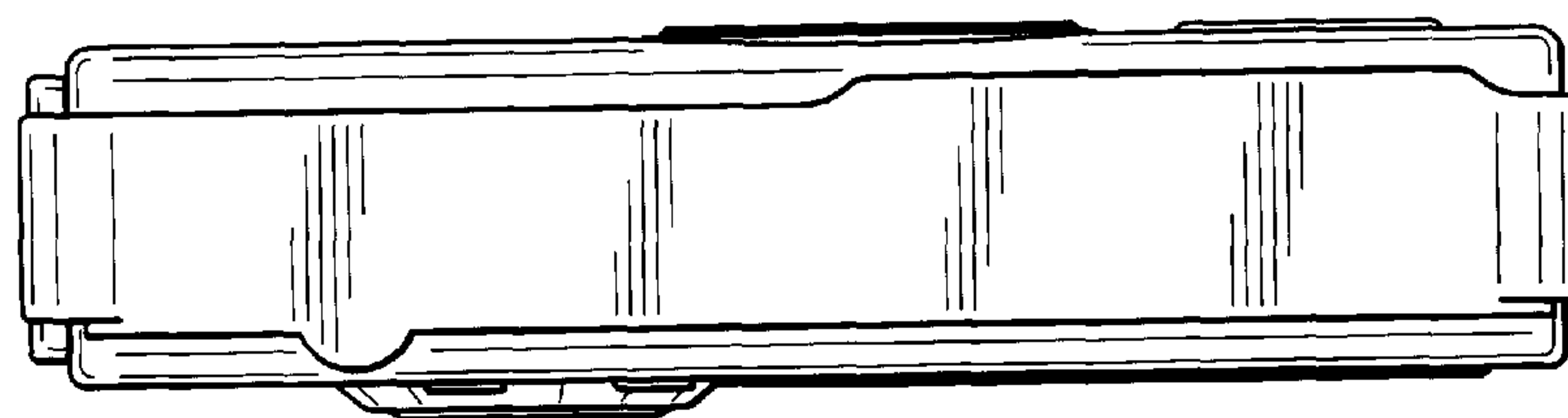


Fig. 5

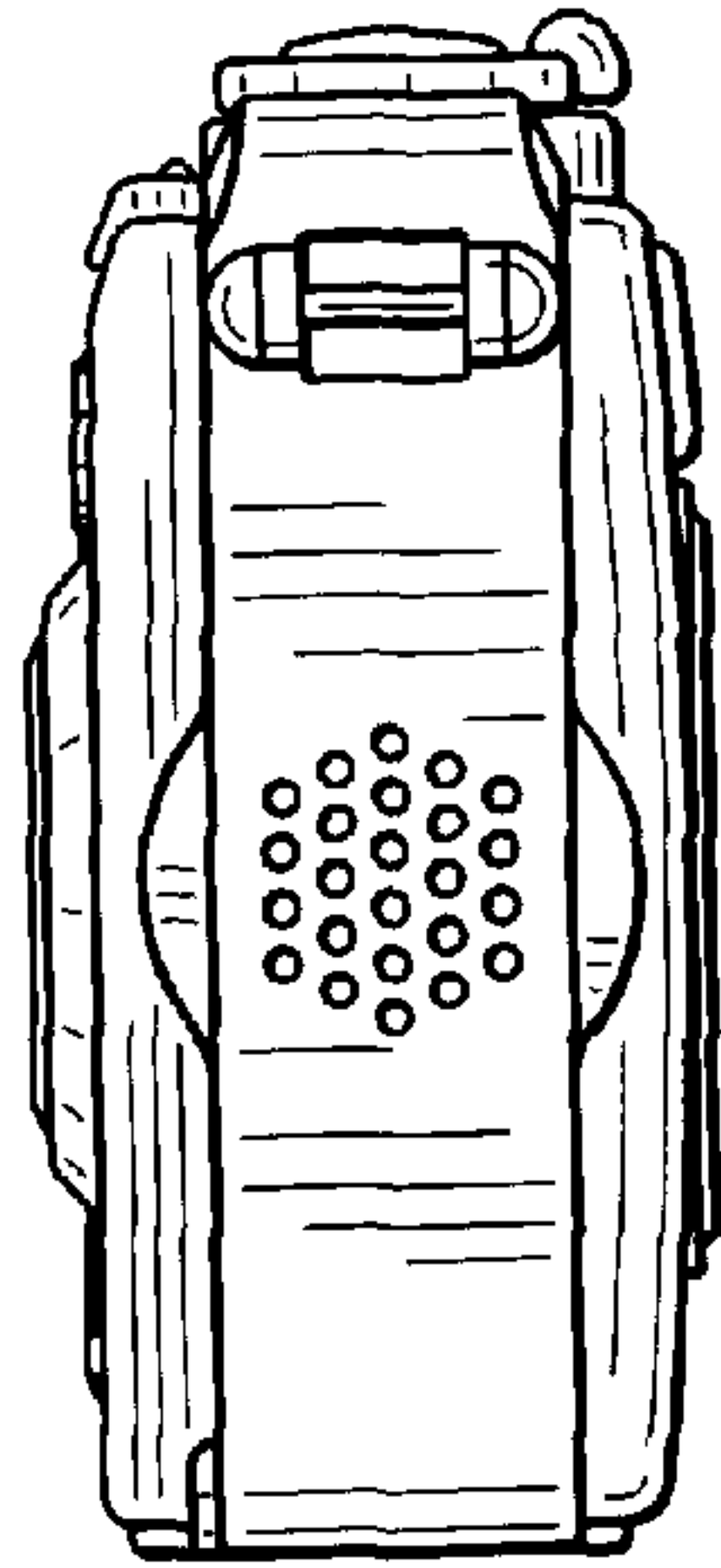


Fig. 6

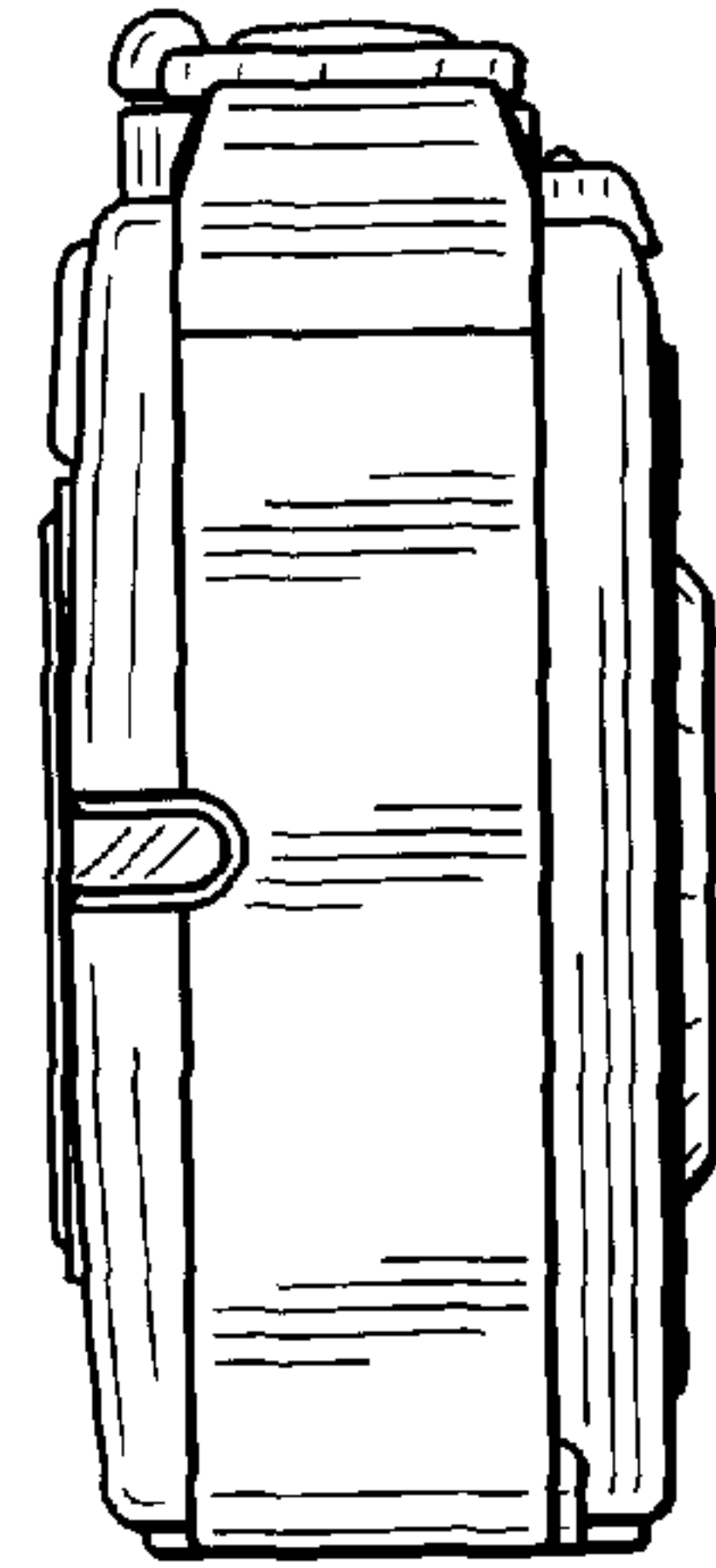


Fig. 7

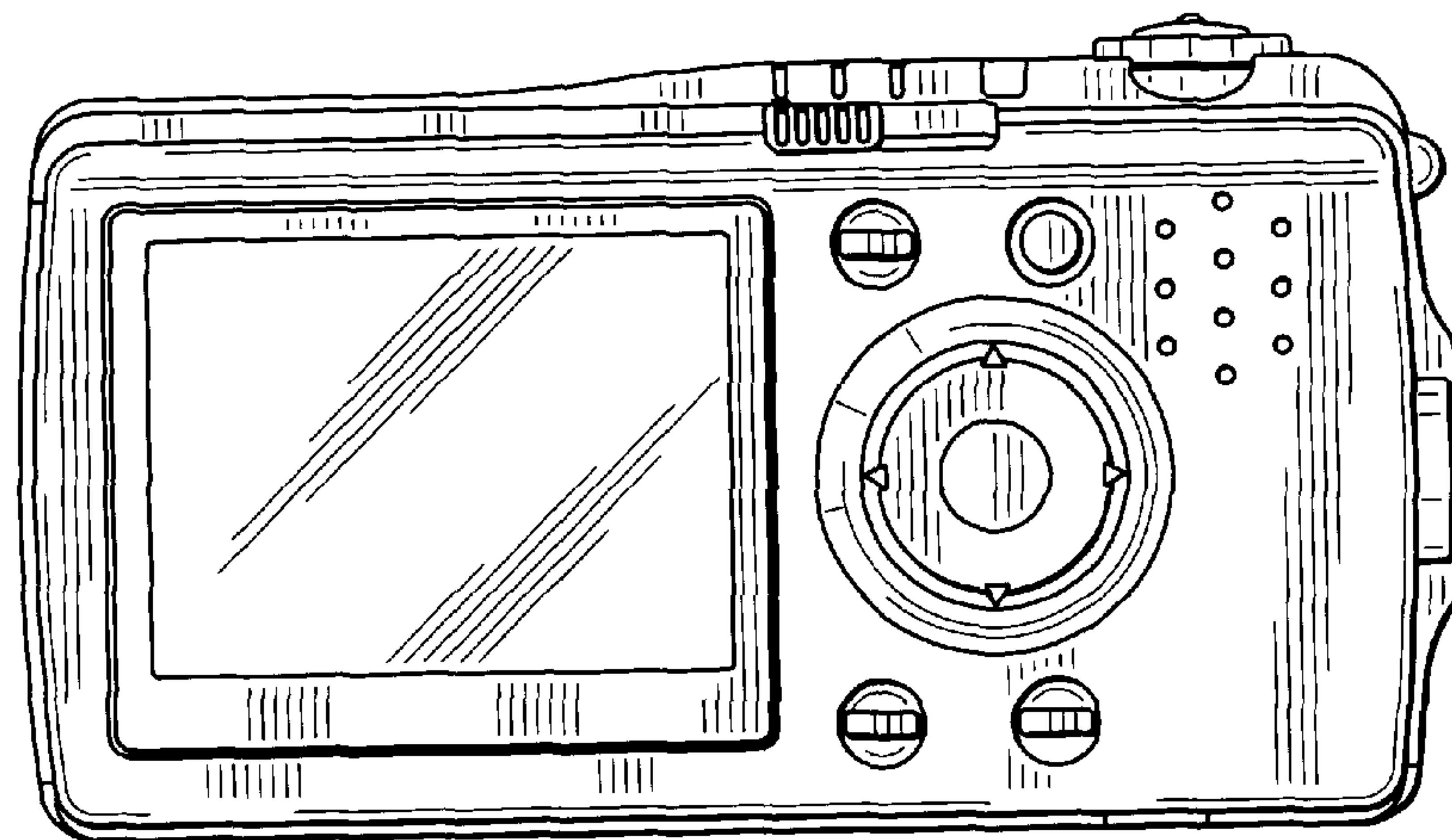


Fig. 8



UNITED STATES PATENT AND TRADEMARK OFFICE  
**CERTIFICATE OF CORRECTION**

PATENT NO. : Des. 529,258 S  
APPLICATION NO. : 29/221889  
DATED : October 3, 2006  
INVENTOR(S) : Yoshitaka Naito

Page 1 of 5

It is certified that error appears in the above-identified patent and that said Letters Patent is hereby corrected as shown below:

The Title Page, showing an illustrative figure, should be deleted and substitute therefor the attached title page.

Delete drawings sheets 1-3 and substitute therefor the drawing sheets, consisting of figs. 1-8 as shown on the attached pages.

Signed and Sealed this

Eleventh Day of September, 2007

A handwritten signature in black ink on a light gray dotted background. The signature reads "Jon W. Dudas" in a cursive style.

JON W. DUDAS

*Director of the United States Patent and Trademark Office*

(12) **United States Design Patent** (10) Patent No.: **US D529,258 S**  
**Naito** (45) Date of Patent: **Oct. 3, 2006**

(54) **DIGITAL CAMERA**

(75) Inventor: **Yoshitaku Naito, Oma (JP)**

(73) Assignee: **Olympus Imaging Corporation, Tokyo (JP)**

(\*\*) Term: **14 Years**

(21) Appl. No.: **29/221,889**

(22) Filed: **Jan. 20, 2005**

(51) **LOC (8) Cl.** ..... **16-31**

(52) **U.S. Cl.** ..... **D1/219; D16/202**

(58) **Field of Classification Search** ..... **D16/200-206, D16/208, 209, 218, 219; 348/373-376; 358/909.1; 396/535-541**

See application file for complete search history.

(56) **References Cited**

**U.S. PATENT DOCUMENTS**

D446,536 S \* 8/2001 Kim ..... D16/209  
 D447,759 S \* 9/2001 Jin ..... D16/209  
 D430,073 S \* 11/2001 Sumita ..... D16/202  
 6,461,060 B1 \* 10/2002 Omiya ..... 396/538

D495,351 S \* 8/2004 Yi ..... D15/218  
 D595,685 S \* 5/2005 Yoshida ..... D15/219  
 D508,254 S \* 8/2005 Fujii ..... D15/219

\* cited by examiner

*Primary Examiner*--Adir Arosovich

(74) *Attorney, Agent, or Firm*--Hogan & Hartson LLP

(57) **CLAIM**

The ornamental design for a digital camera, as shown and described.

**DESCRIPTION**

FIG. 1 is a front, top and left side perspective view of the digital camera;

FIG. 2 is a rear, top and left side perspective view thereof;

FIG. 3 is a top plan view thereof;

FIG. 4 is a front elevational view thereof;

FIG. 5 is a bottom plan view thereof;

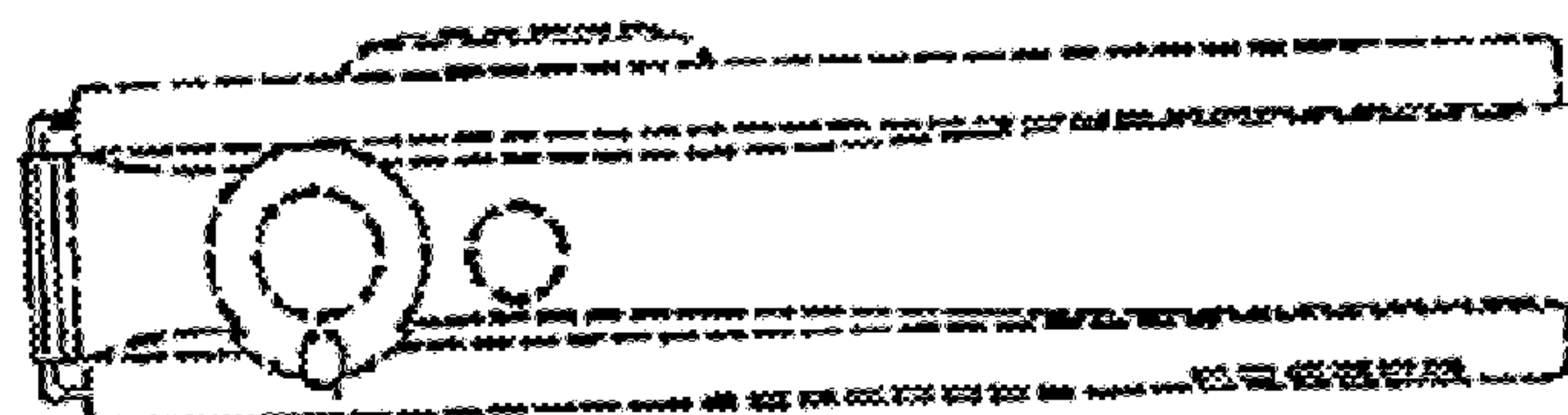
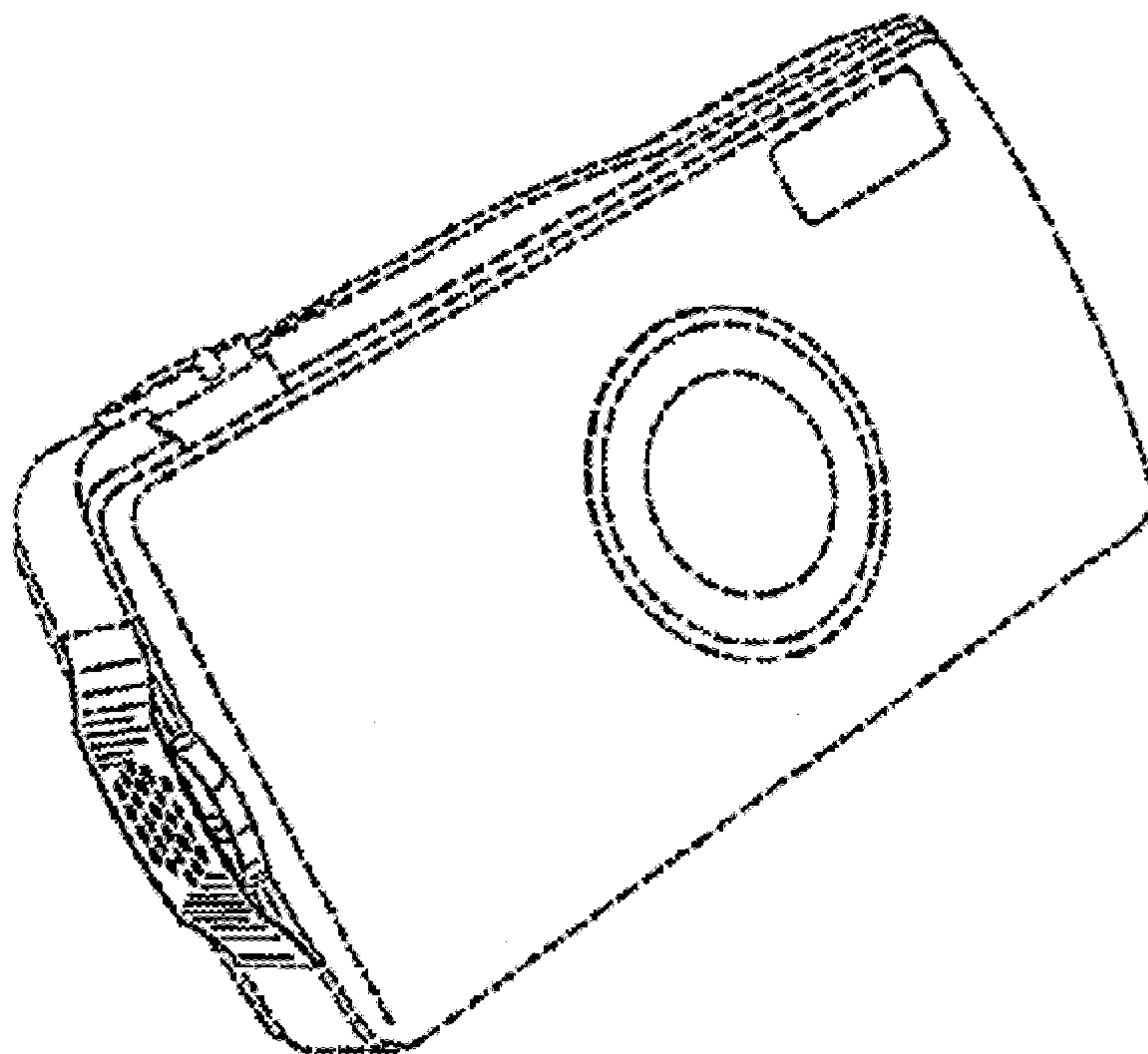
FIG. 6 is a left side elevational view thereof;

FIG. 7 is a right side elevational view thereof; and,

FIG. 8 is a rear elevational view thereof.

The broken lines are for illustrative purposes only and form no part of the claimed design.

**1 Claim, 3 Drawing Sheets**



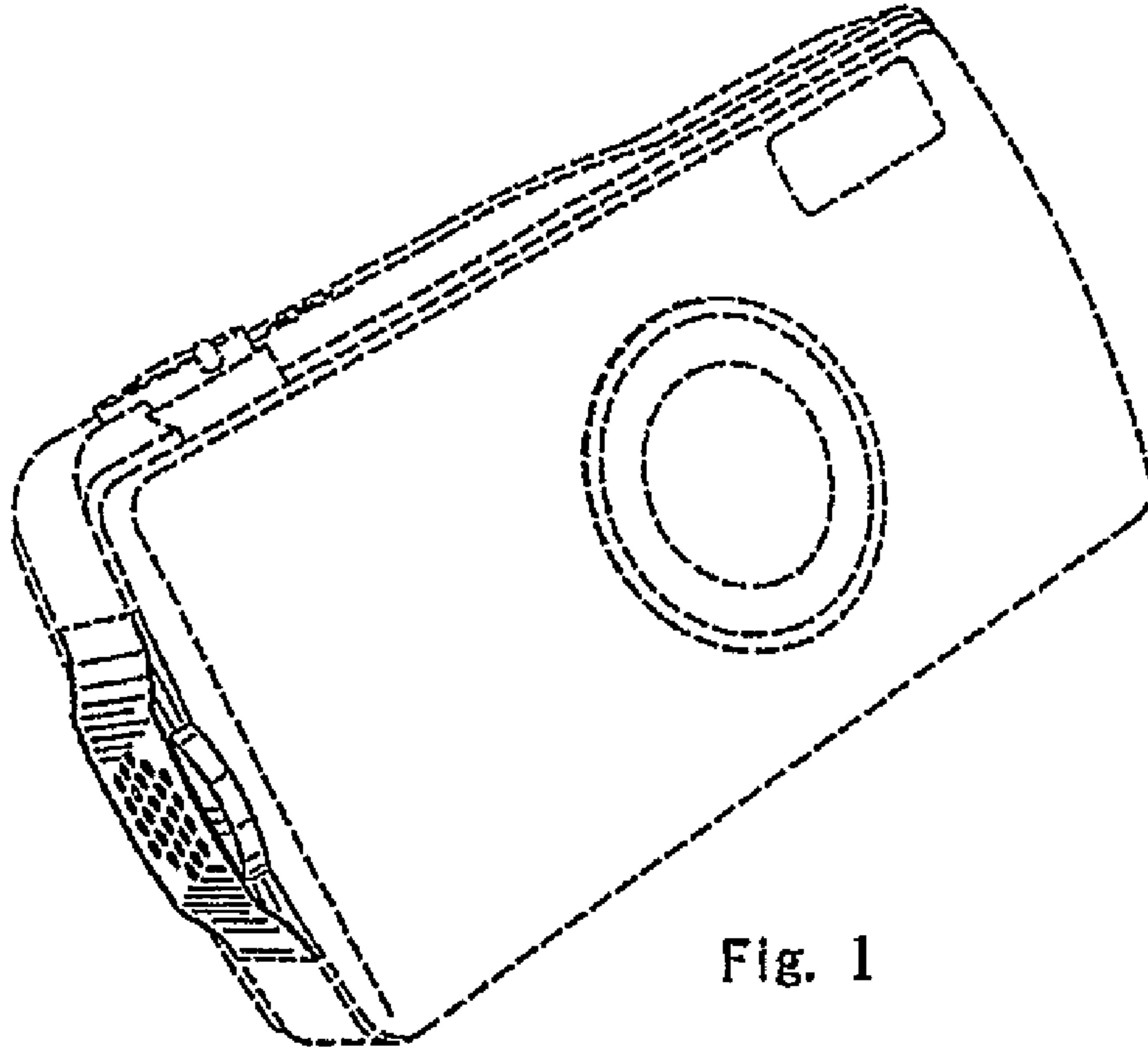


Fig. 1

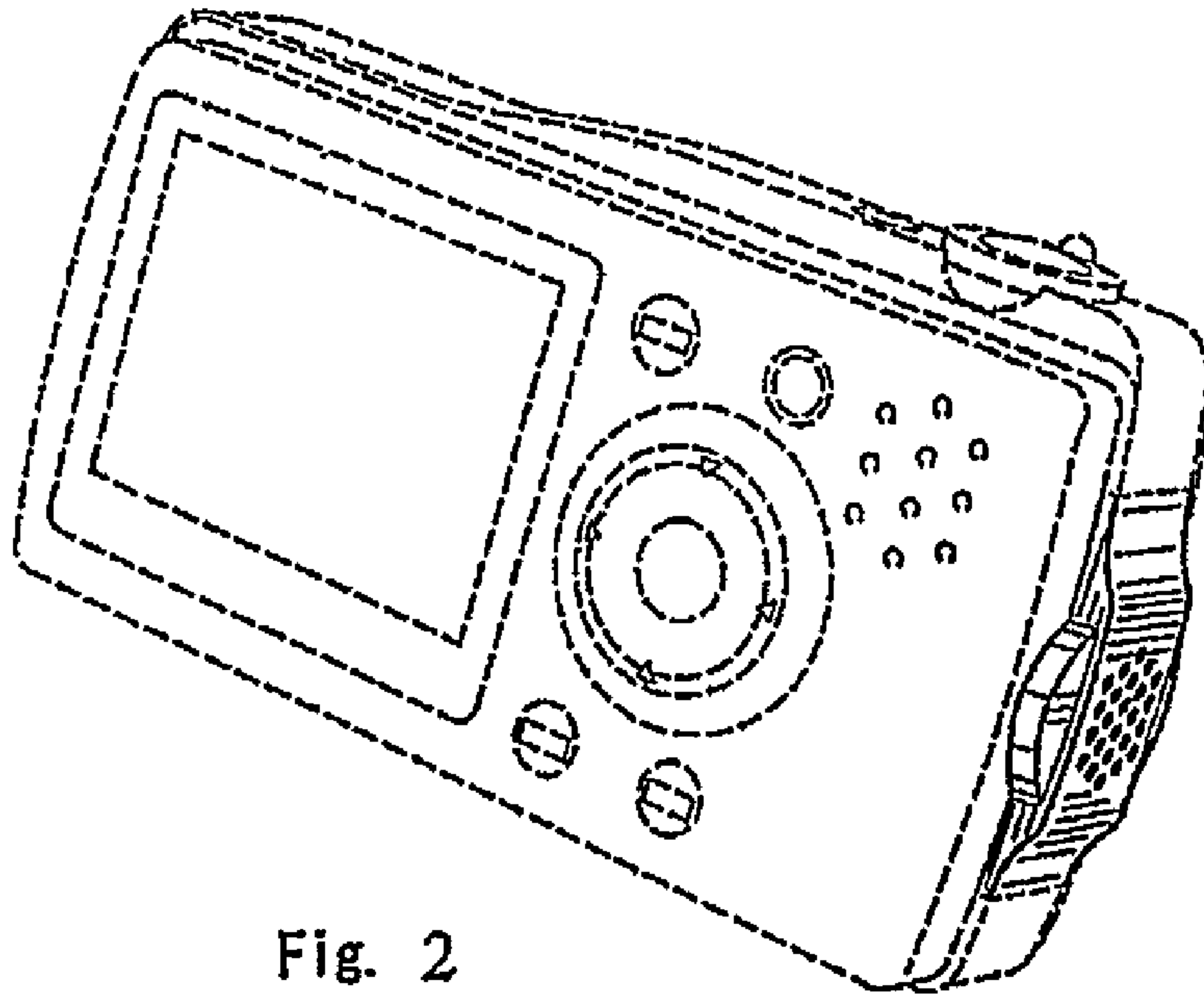


Fig. 2

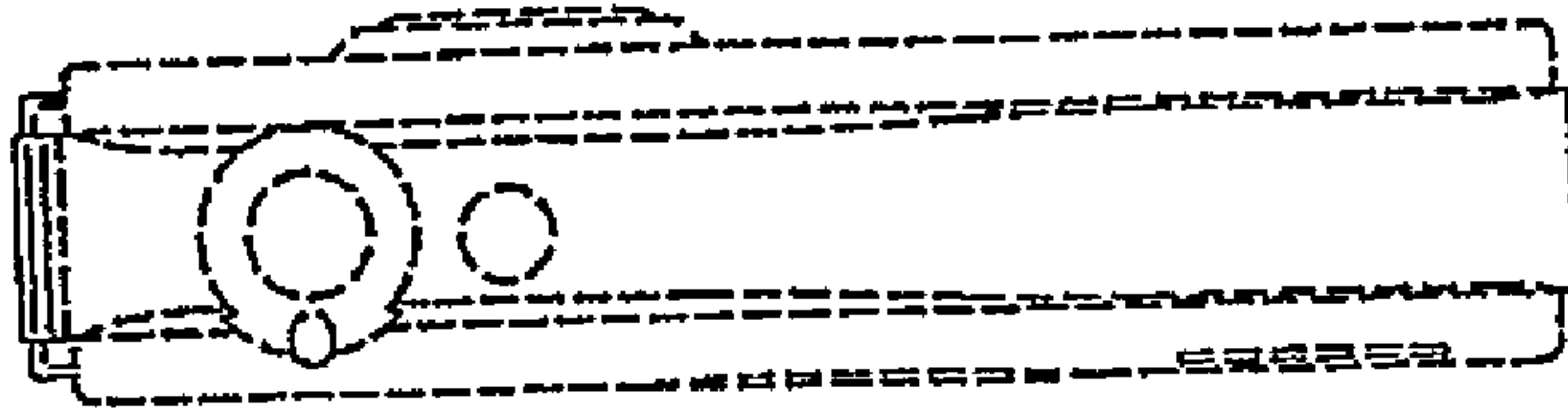


Fig. 3

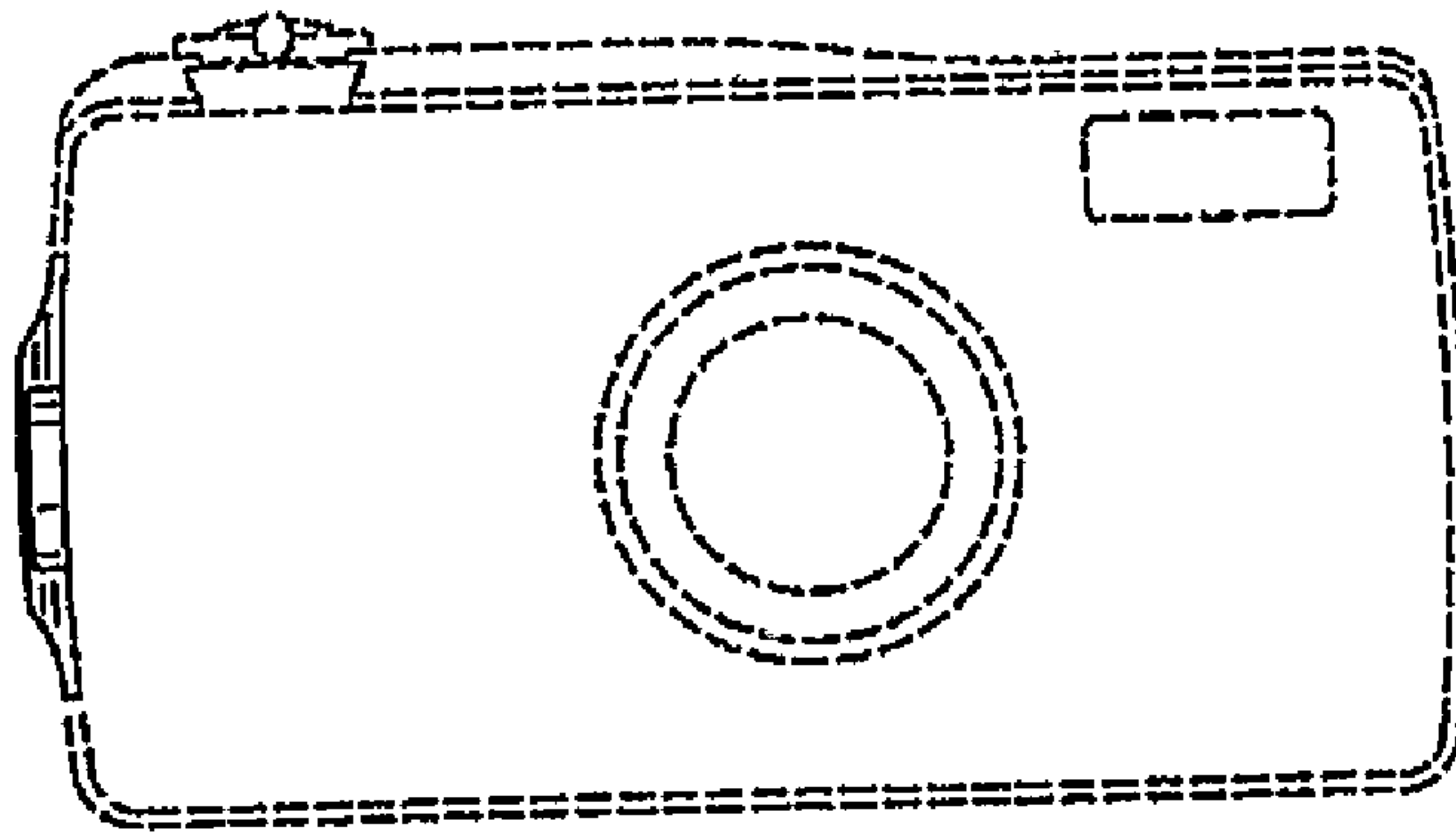


Fig. 4

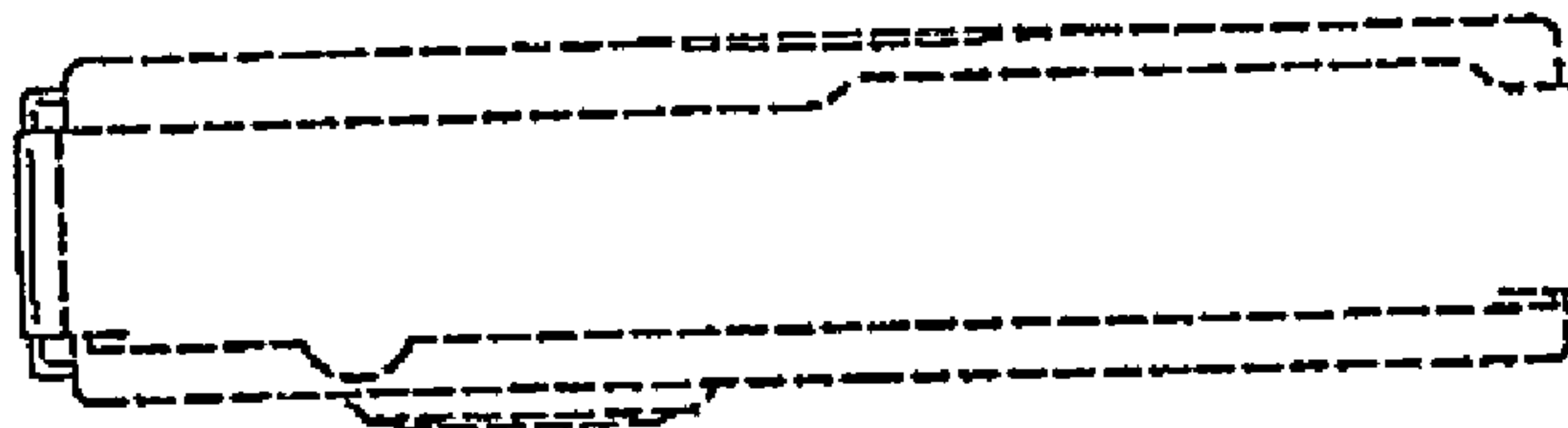


Fig. 5



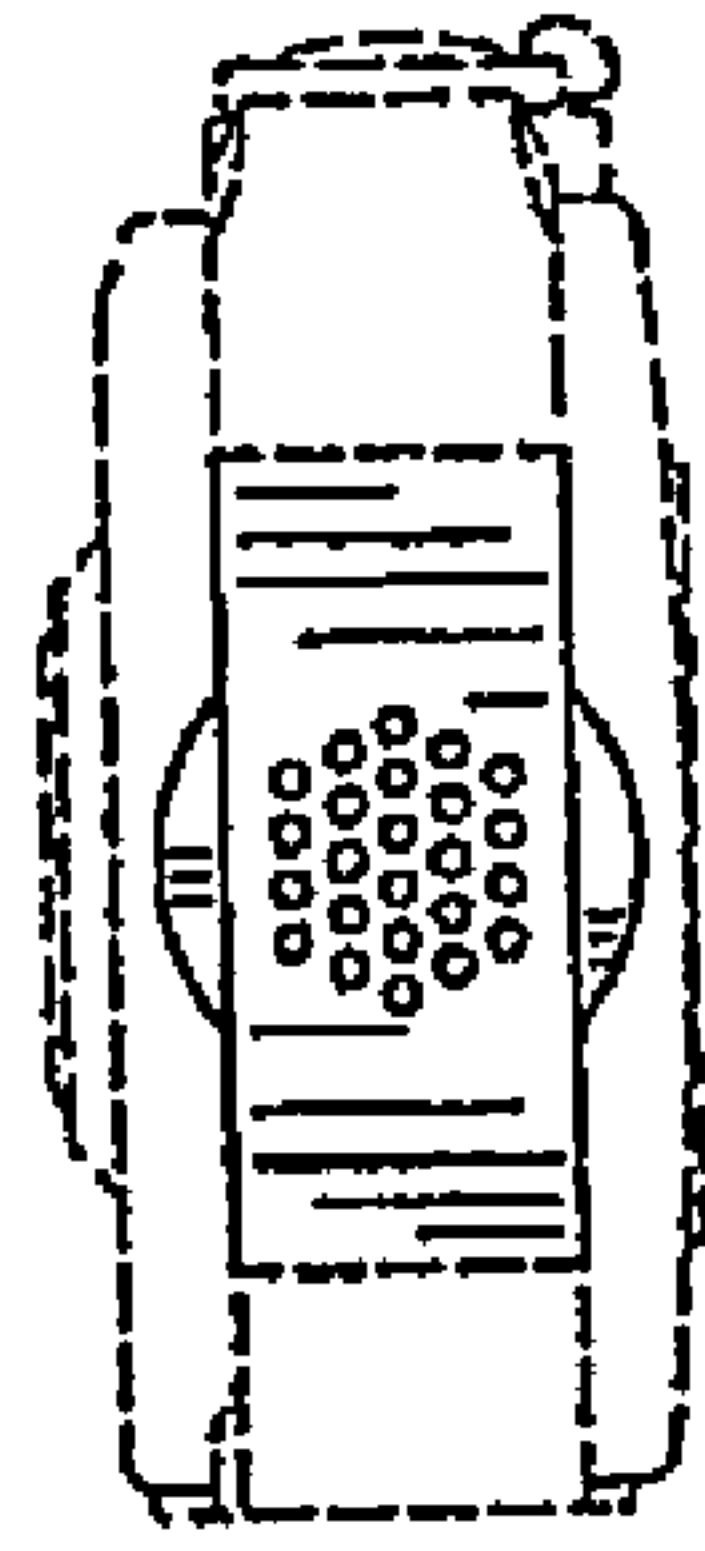


Fig. 6

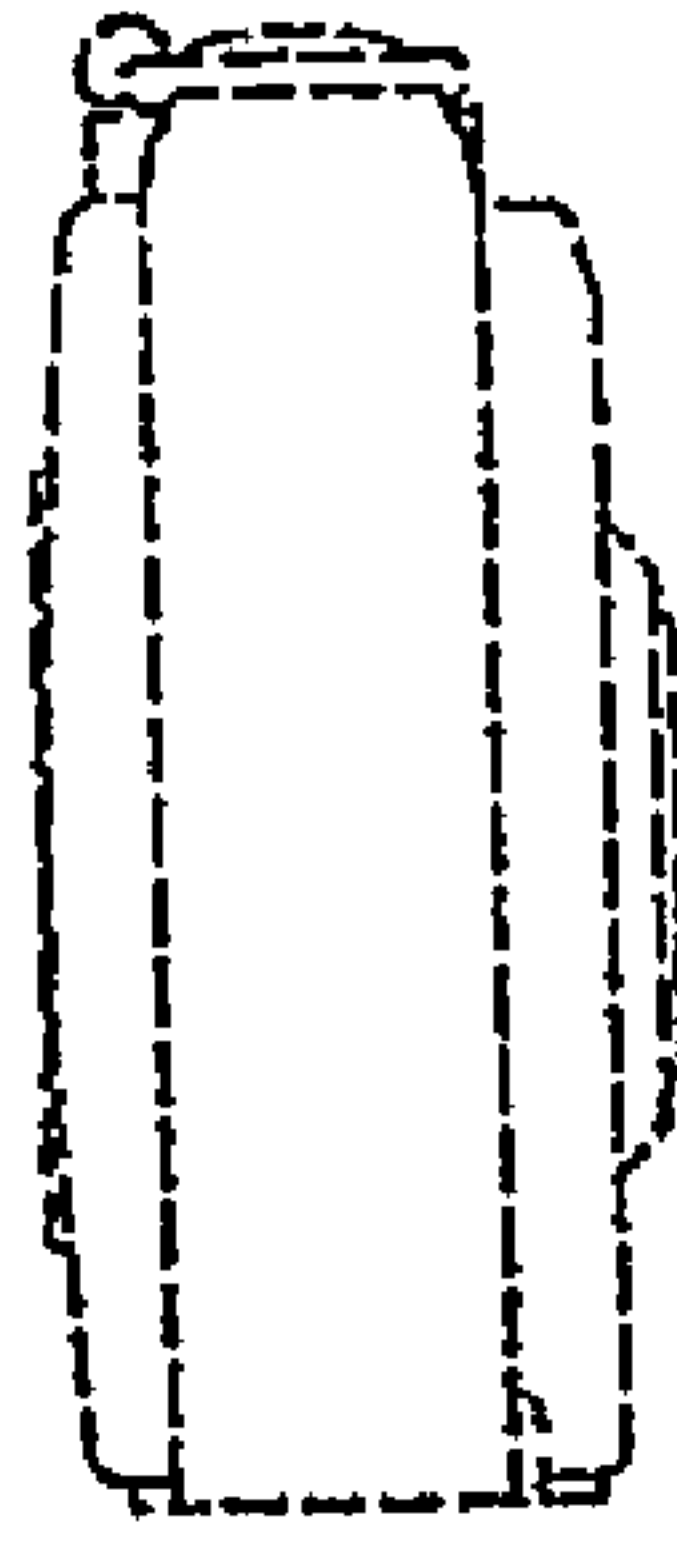


Fig. 7

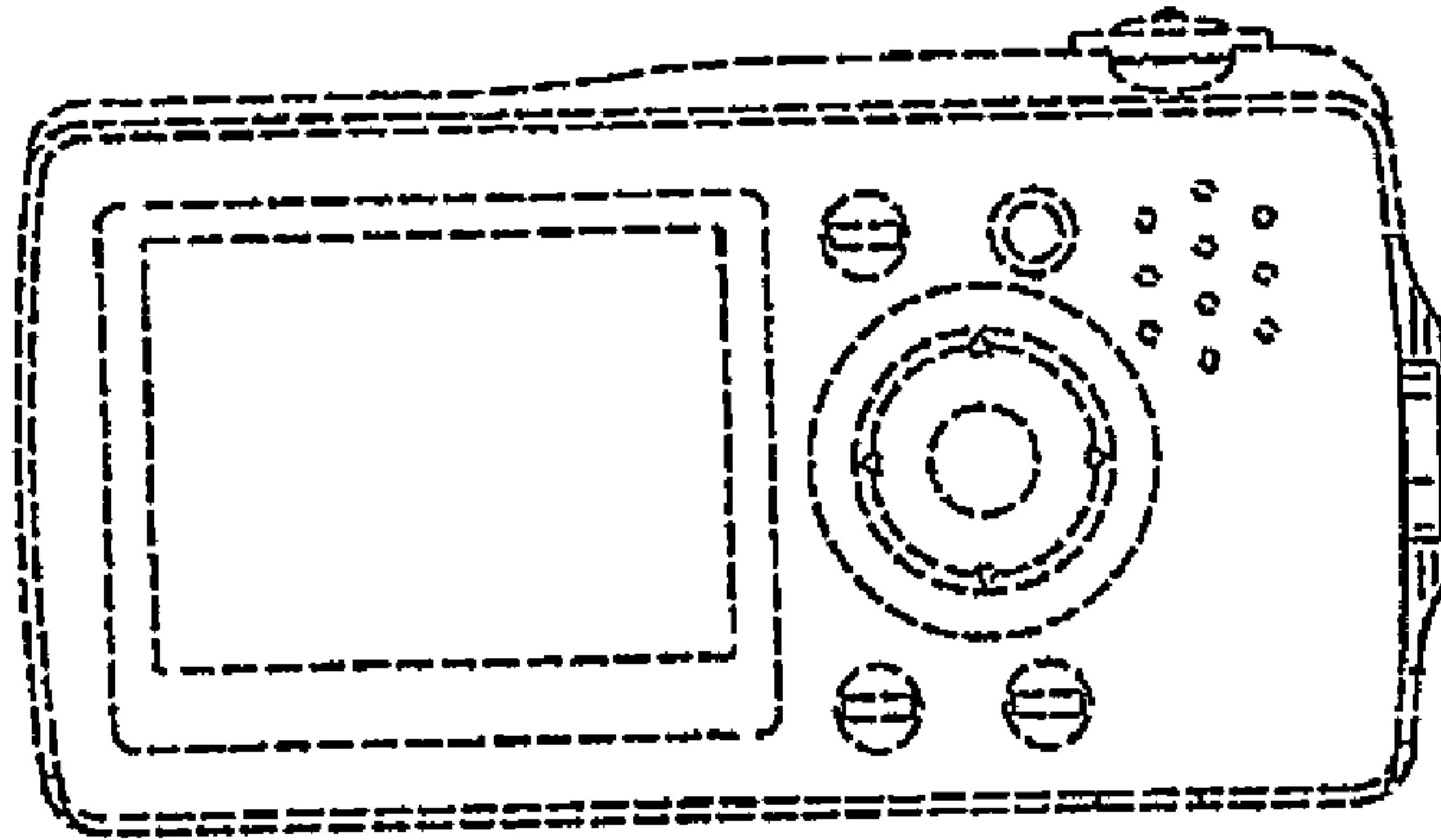


Fig. 8