



US00D529257S

(12) **United States Design Patent** (10) **Patent No.:** **US D529,257 S**
Tanio (45) **Date of Patent:** **** Oct. 3, 2006**

(54) **DIGITAL CAMERA**
(75) Inventor: **Satoru Tanio**, Hachioji (JP)
(73) Assignee: **Olympus Corporation**, Tokyo (JP)
(**) Term: **14 Years**

(21) Appl. No.: **29/213,195**
(22) Filed: **Sep. 14, 2004**
(30) **Foreign Application Priority Data**

Mar. 31, 2004 (JP) 2004-010067
Mar. 31, 2004 (JP) 2004-010069
(51) **LOC (8) Cl.** **16-01**
(52) **U.S. Cl.** **D1/202**
(58) **Field of Classification Search** D16/200–206,
D16/208, 212, 218; 348/373–376; 358/909.1;
396/349, 448, 535–541
See application file for complete search history.

(56) **References Cited**

U.S. PATENT DOCUMENTS

D396,482 S * 7/1998 Yamanouchi D16/202
6,347,893 B1 * 2/2002 Shiono et al. 396/448
D467,602 S * 12/2002 Katayama D16/202
D493,810 S * 8/2004 Katayama D16/202
D500,333 S * 12/2004 Hong et al. D16/218
D508,065 S * 8/2005 Dow et al. D16/202

* cited by examiner

Primary Examiner—Adir Aronovich
(74) *Attorney, Agent, or Firm*—Hogan & Hartson LLP

(57) **CLAIM**

The ornamental design for a digital camera, as shown and described.

DESCRIPTION

FIG. 1 is a top, front and right side perspective view of a digital camera showing my new design;
FIG. 2 is a bottom, rear and left side perspective view thereof;
FIG. 3 is a front view thereof;
FIG. 4 is a rear view thereof;
FIG. 5 is top plan view thereof;
FIG. 6 is a bottom plan view thereof;
FIG. 7 is a right side view thereof;
FIG. 8 is a left side view thereof;
FIG. 9 top, front and right side perspective view with a lens barrier, opened;
FIG. 10 is bottom, rear and left side perspective view showing the camera in use with a monitor exposed;
FIG. 11 is a bottom rear and left side perspective view thereof, with a monitor opened rearwards;
FIG. 12 is a bottom rear and left side perspective view thereof, with a monitor opened rearwards in an alternate position; and,
FIG. 13 is a bottom rear and left side perspective view thereof, with a monitor opened forwards.

1 Claim, 6 Drawing Sheets

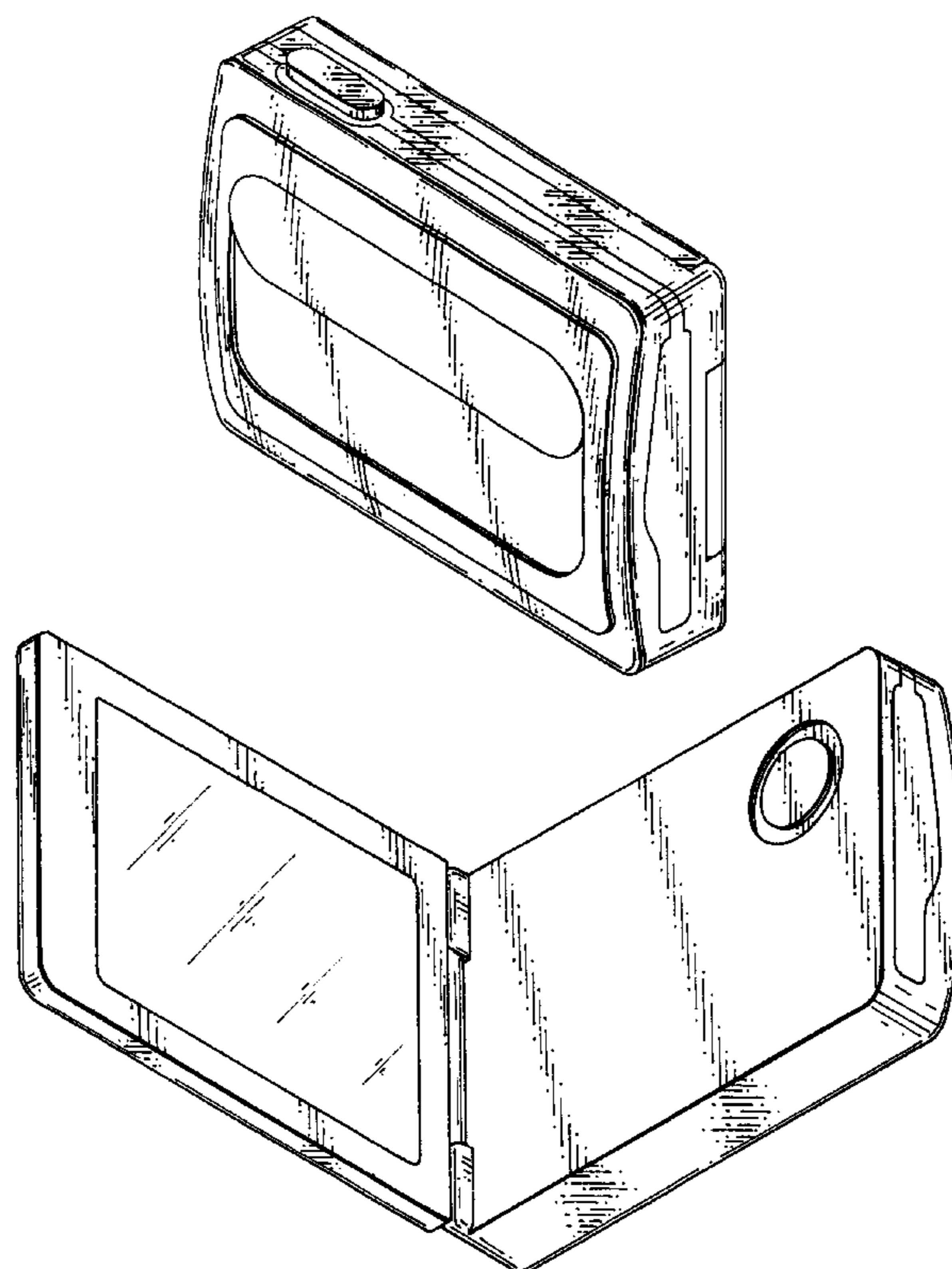


FIG.1

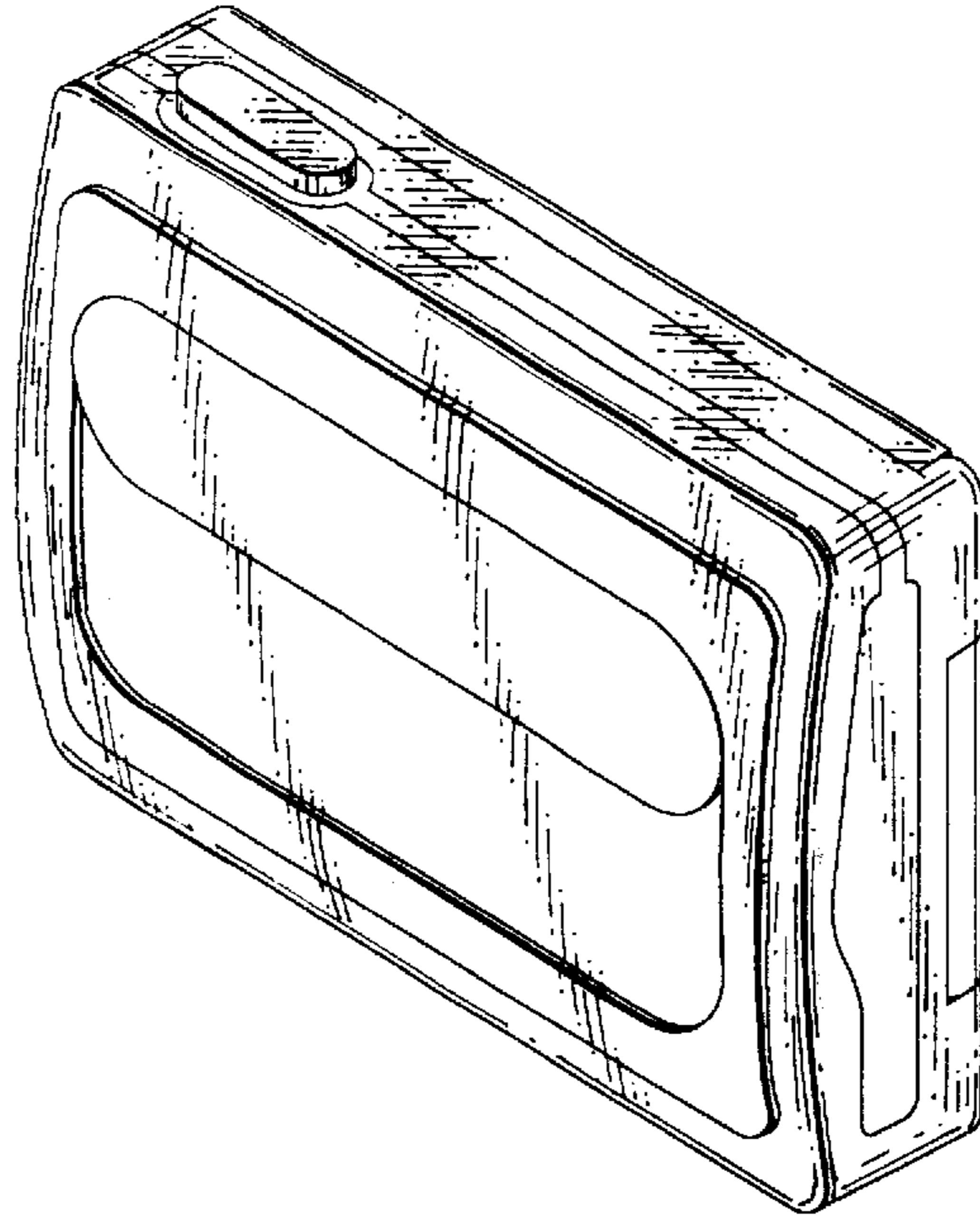


FIG.2

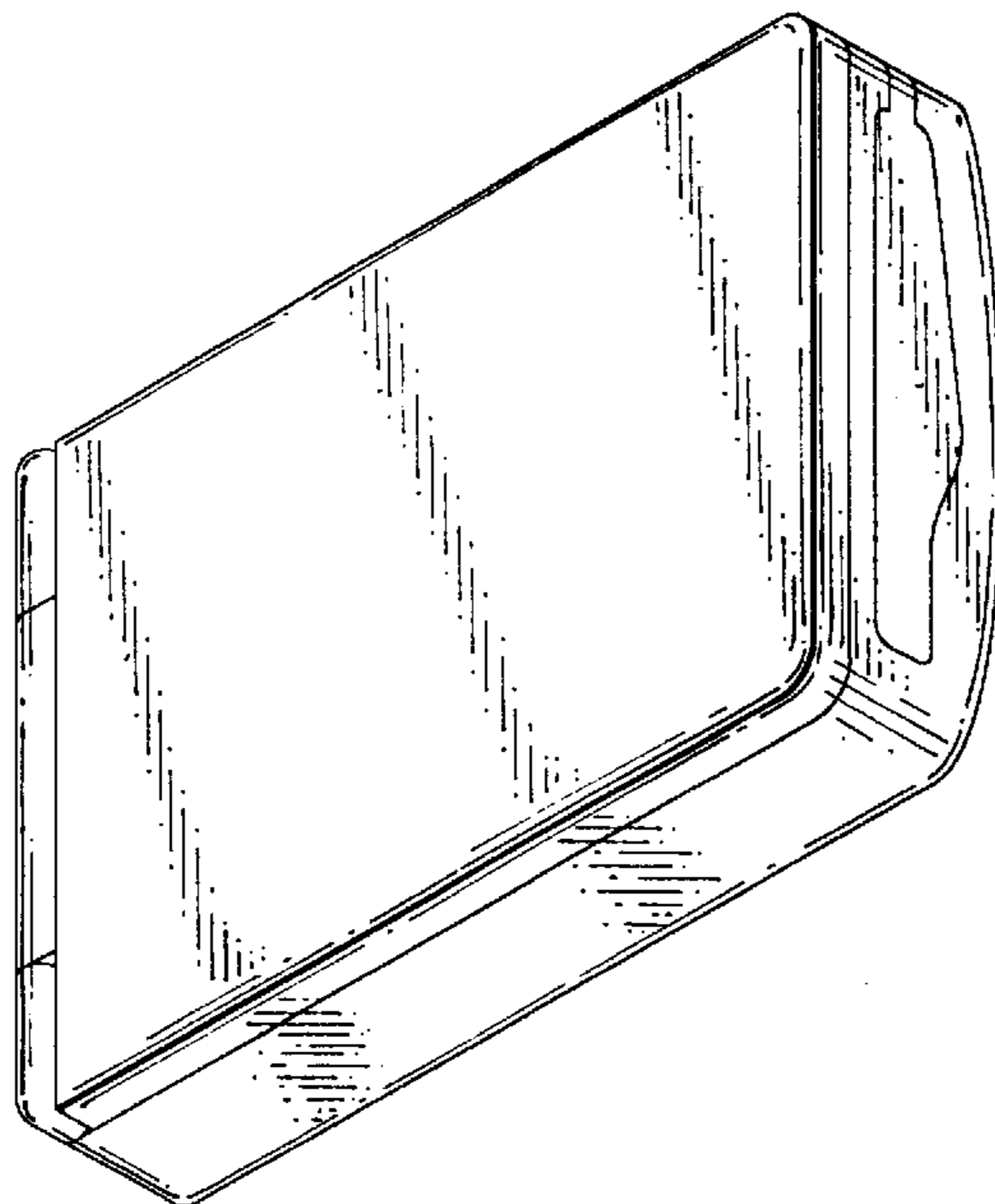


FIG.3

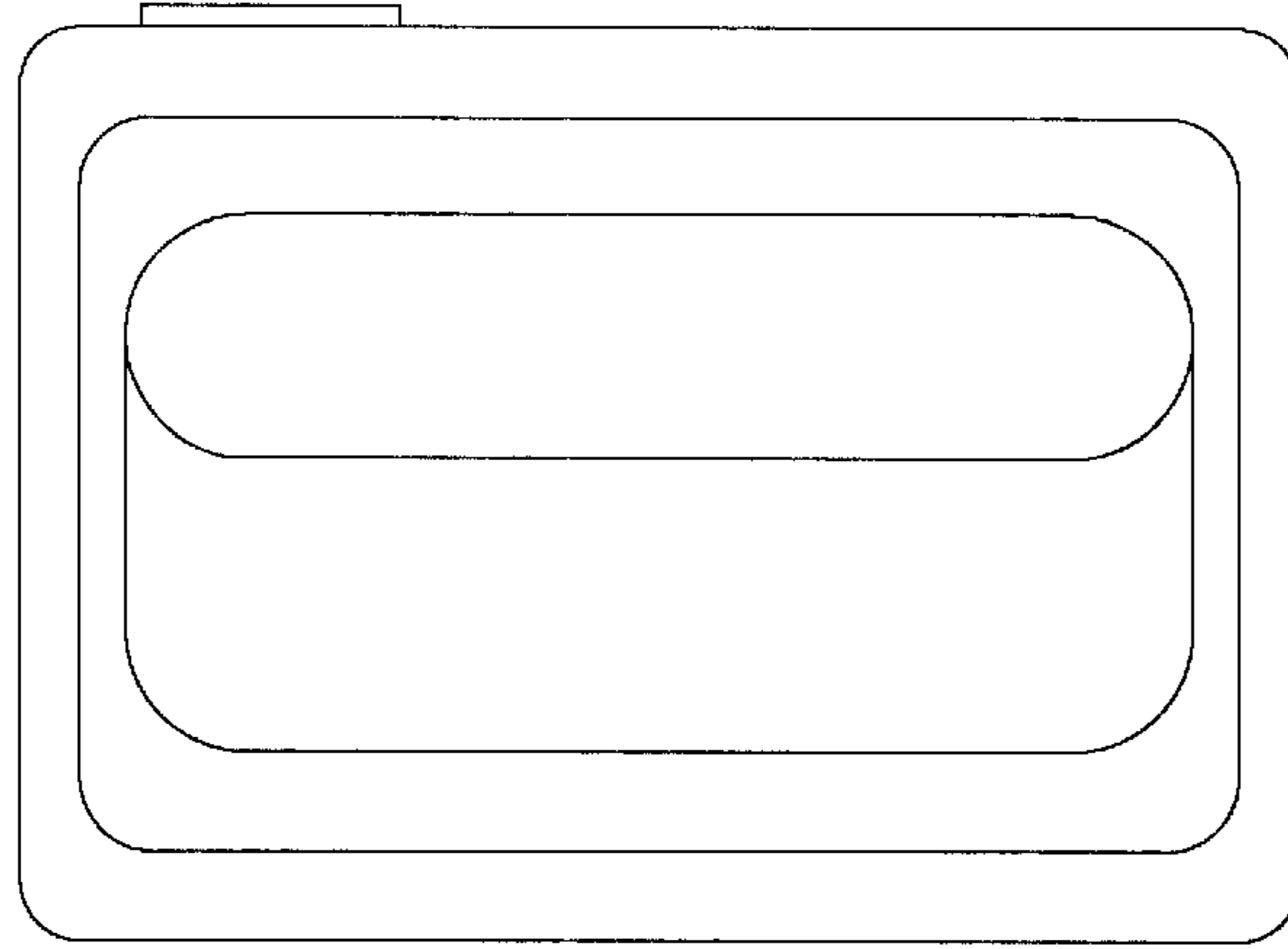


FIG.4

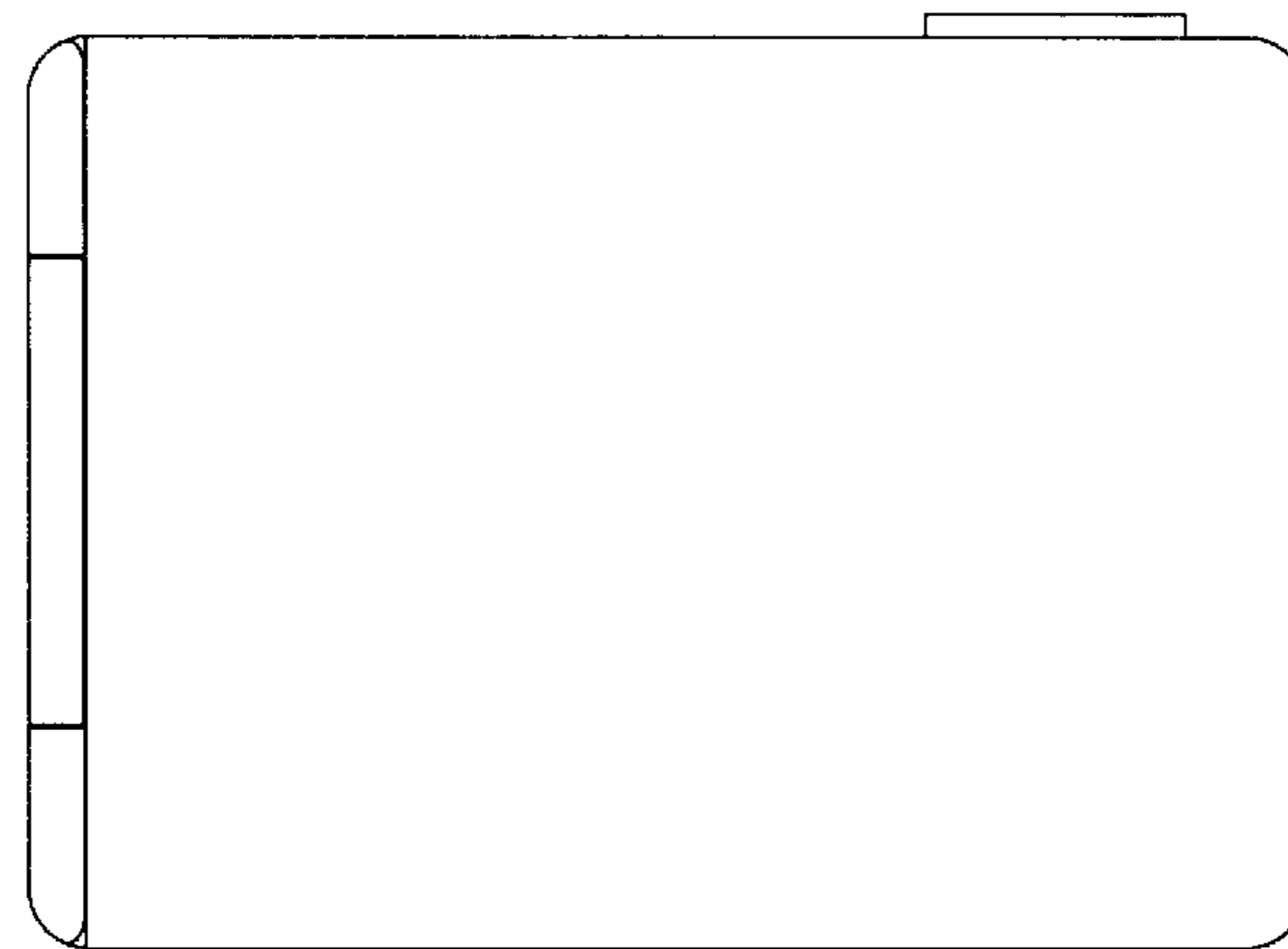


FIG.5

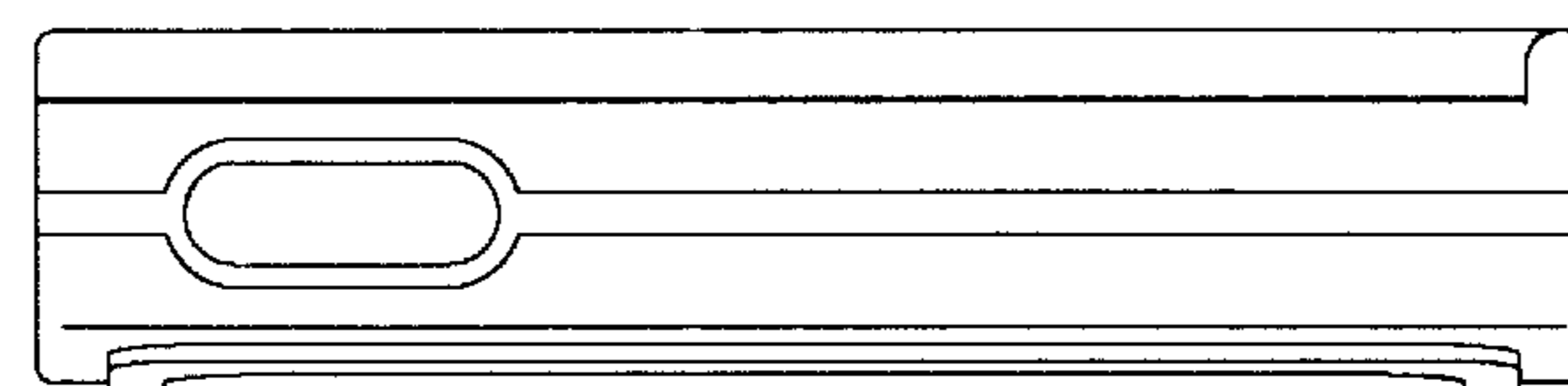


FIG.6

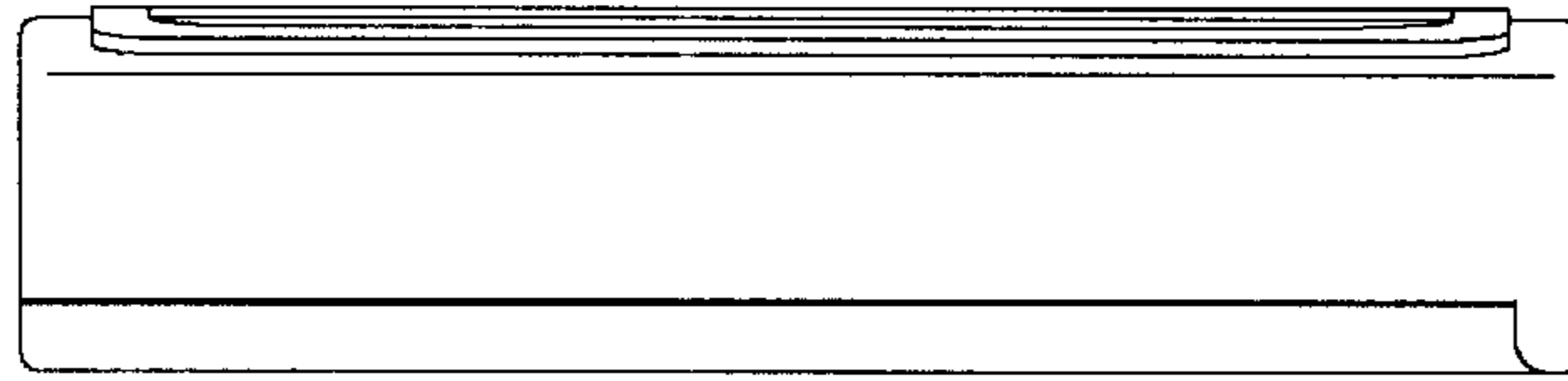


FIG.7

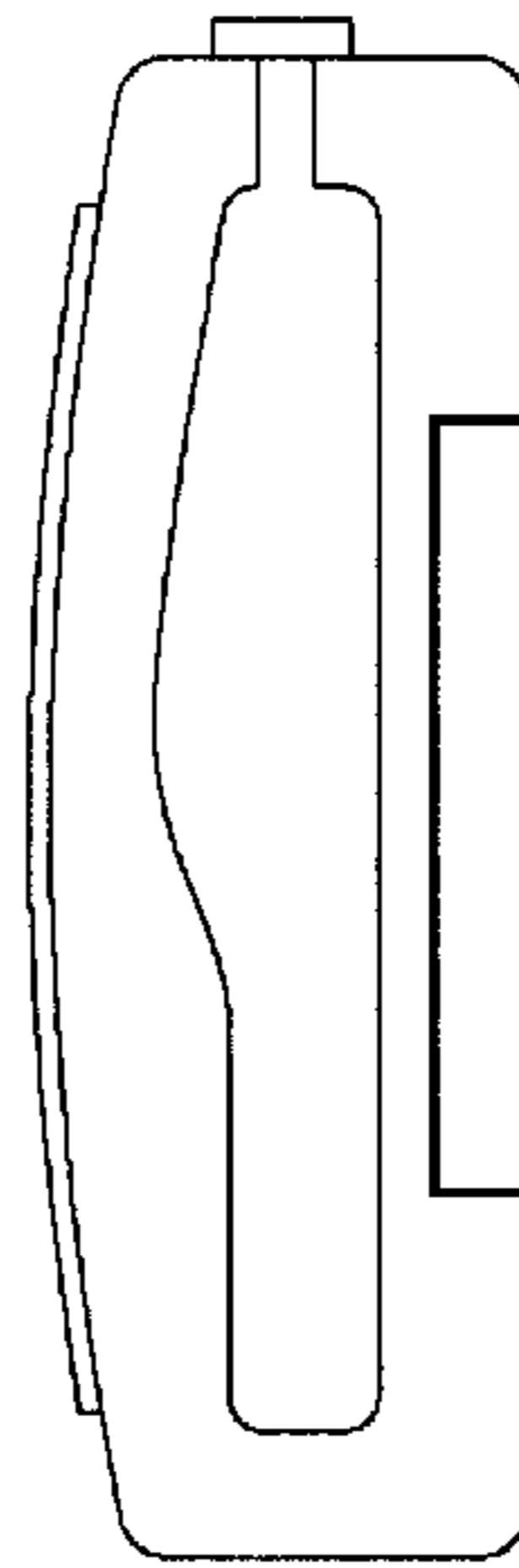


FIG.8

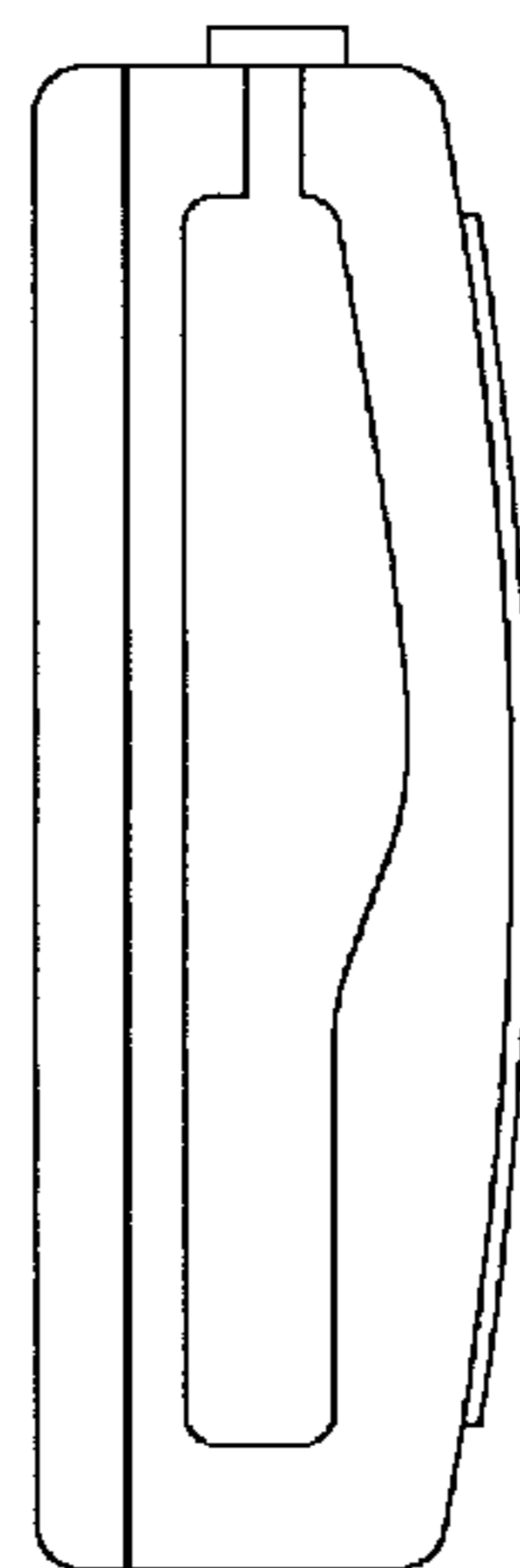


FIG.9

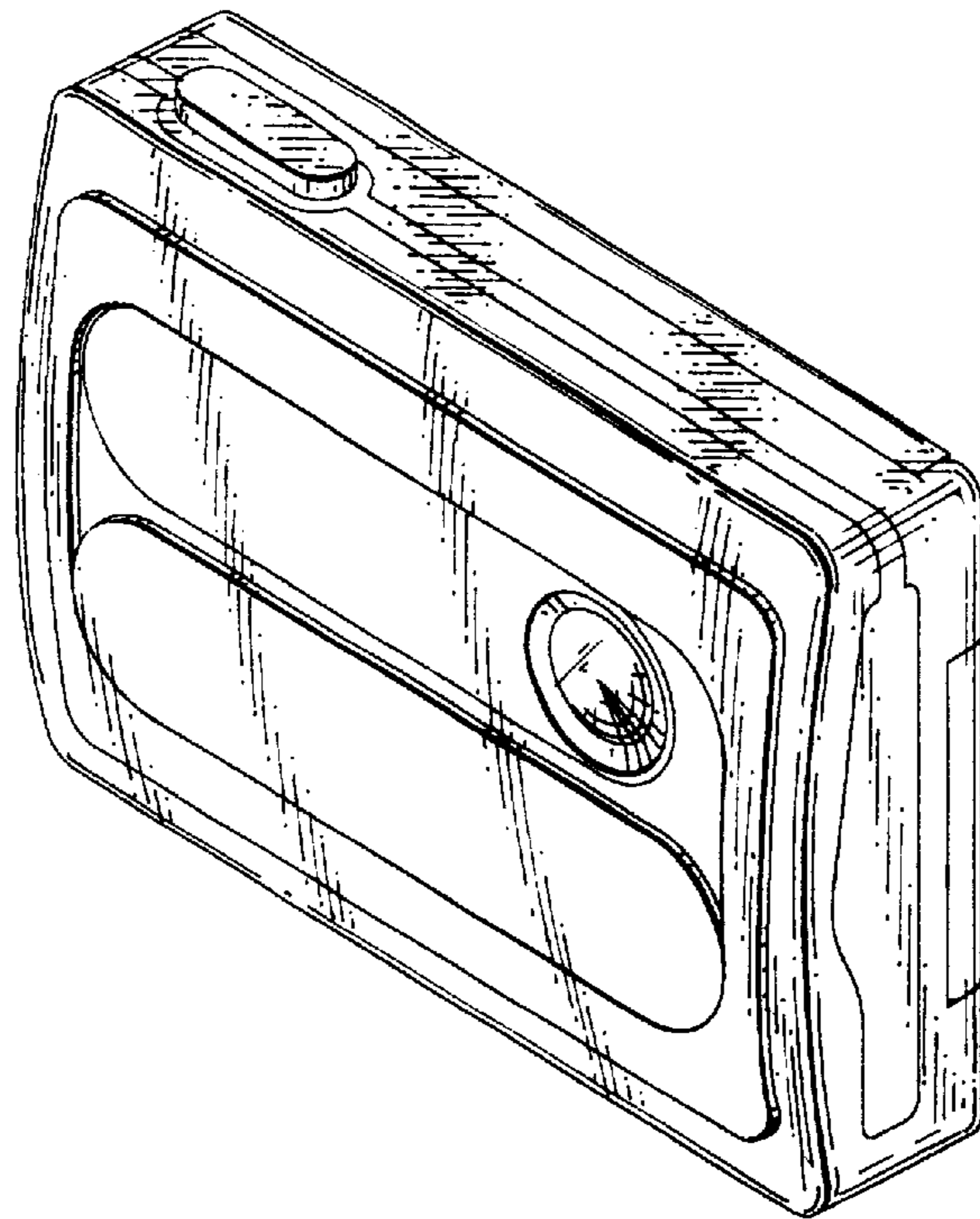


FIG.10

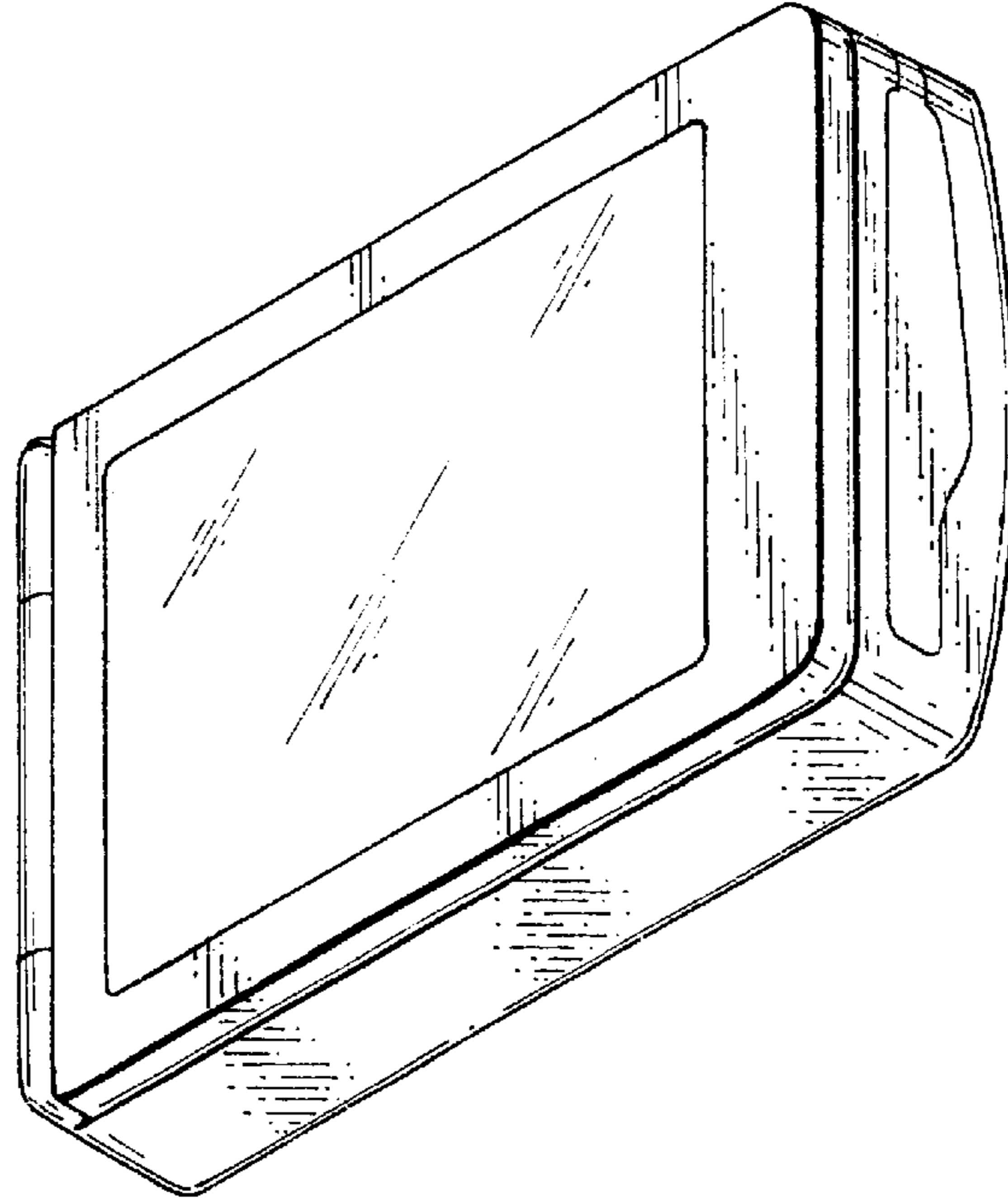


FIG.11

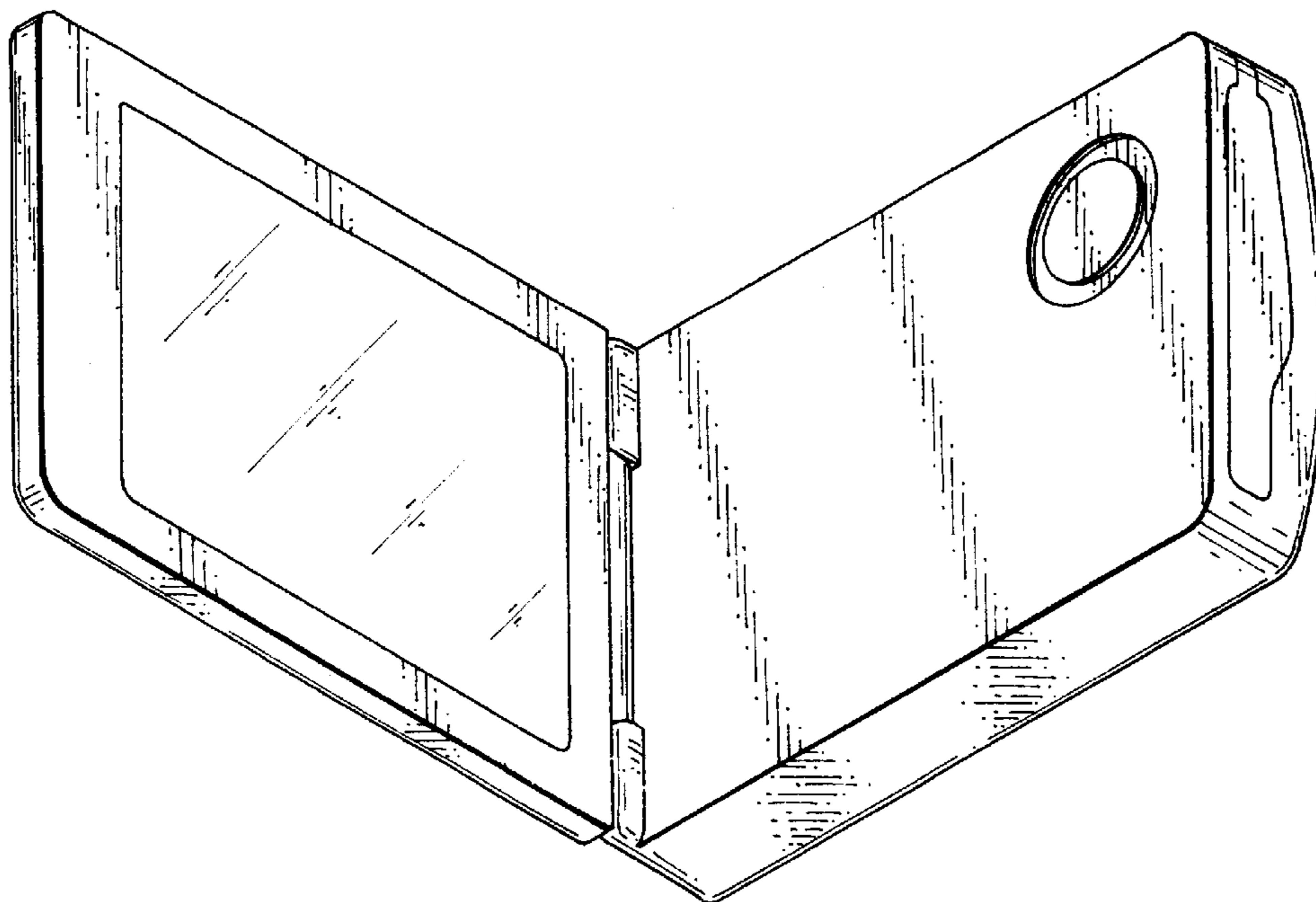


FIG.12

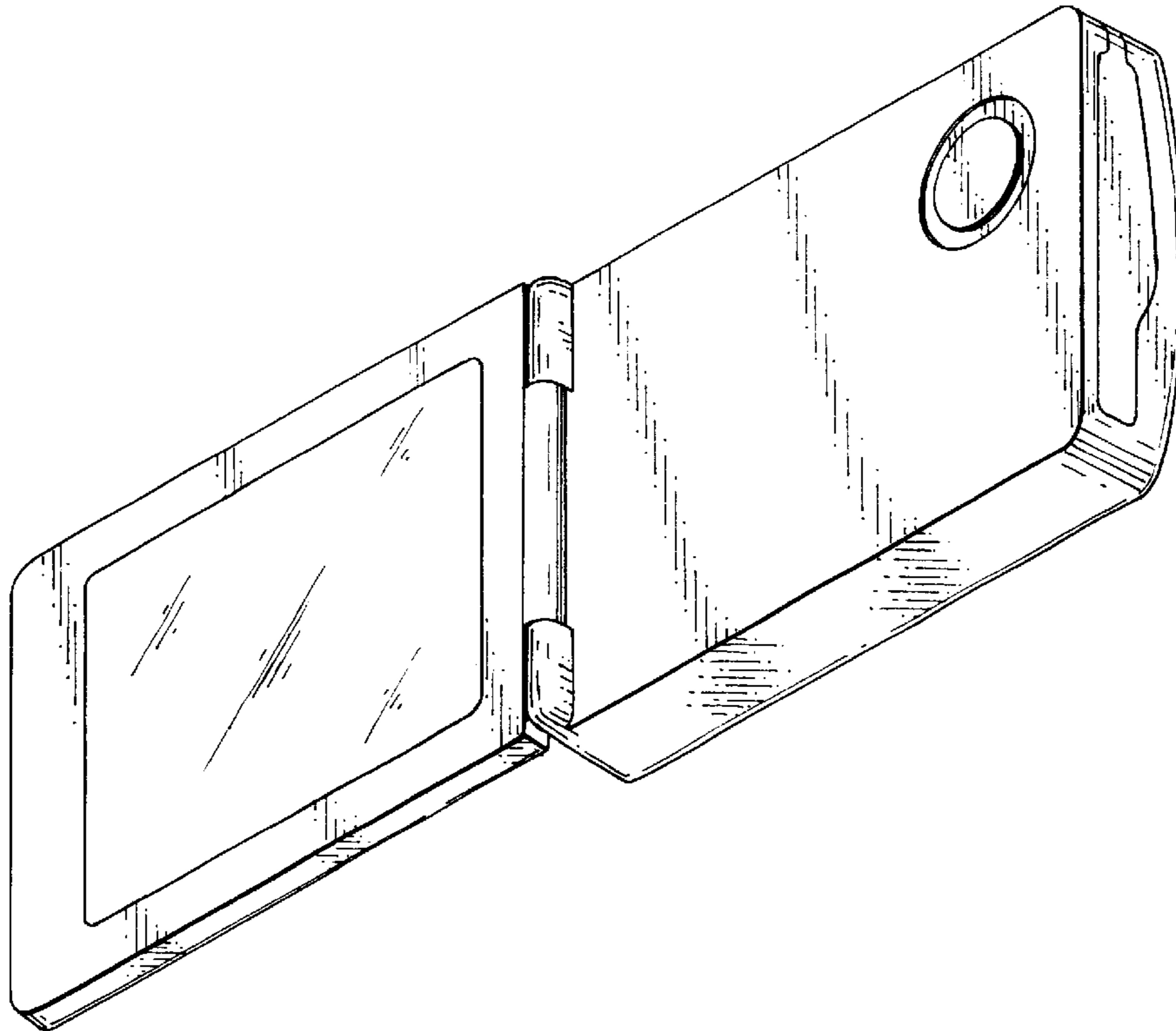


FIG.13

