



US00D529256S

(12) **United States Design Patent**  
**Meguro**

(10) **Patent No.:** **US D529,256 S**

(45) **Date of Patent:** **\*\* Oct. 3, 2006**

(54) **DIGITAL CAMERA**

(75) Inventor: **Chikayoshi Meguro**, Hachioji (JP)

(73) Assignee: **Olympus Corporation**, Tokyo (JP)

(\*\*) Term: **14 Years**

(21) Appl. No.: **29/213,194**

(22) Filed: **Sep. 14, 2004**

(30) **Foreign Application Priority Data**

Mar. 23, 2004 (JP) ..... 2004-008729  
Mar. 23, 2004 (JP) ..... 2004-008730

(51) **LOC (8) Cl.** ..... **16-01**

(52) **U.S. Cl.** ..... **D1/202**

(58) **Field of Classification Search** ..... D16/200–206,  
D16/208, 218; 348/373–376; 358/906, 909.1;  
396/535–541

See application file for complete search history.

(56) **References Cited**

**U.S. PATENT DOCUMENTS**

5,815,759 A \* 9/1998 Tseng et al. .... 396/541  
D487,104 S \* 2/2004 Obata ..... D16/202  
D489,385 S \* 5/2004 Lin ..... D16/202  
2002/0176016 A1 \* 11/2002 Misawa et al. .... 348/373  
2004/0223080 A1 \* 11/2004 Kim ..... 348/375

**FOREIGN PATENT DOCUMENTS**

JP 1064262 4/1998

\* cited by examiner

*Primary Examiner*—Adir Aronovich

(74) *Attorney, Agent, or Firm*—Hogan & Hartson LLP

(57) **CLAIM**

The ornamental design for a digital camera, as shown and described.

**DESCRIPTION**

FIG. 1 is a top, front and right side perspective view of a digital camera showing my new design;

FIG. 2 is a bottom, rear and left side perspective view thereof;

FIG. 3 is a front view thereof;

FIG. 4 is a rear view thereof;

FIG. 5 is top plan view thereof;

FIG. 6 is a bottom plan view thereof;

FIG. 7 is a right side view thereof;

FIG. 8 is a left side view thereof;

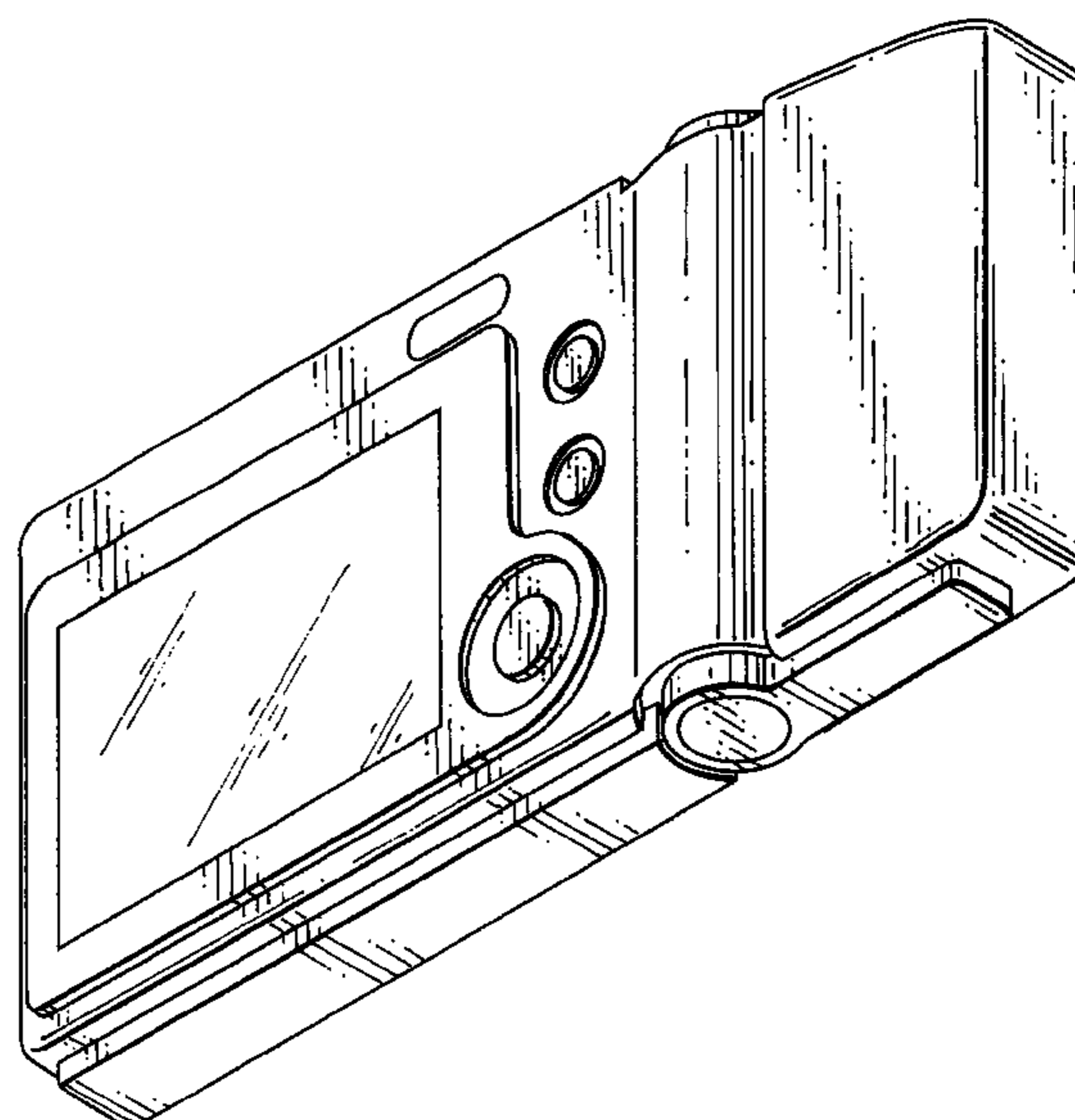
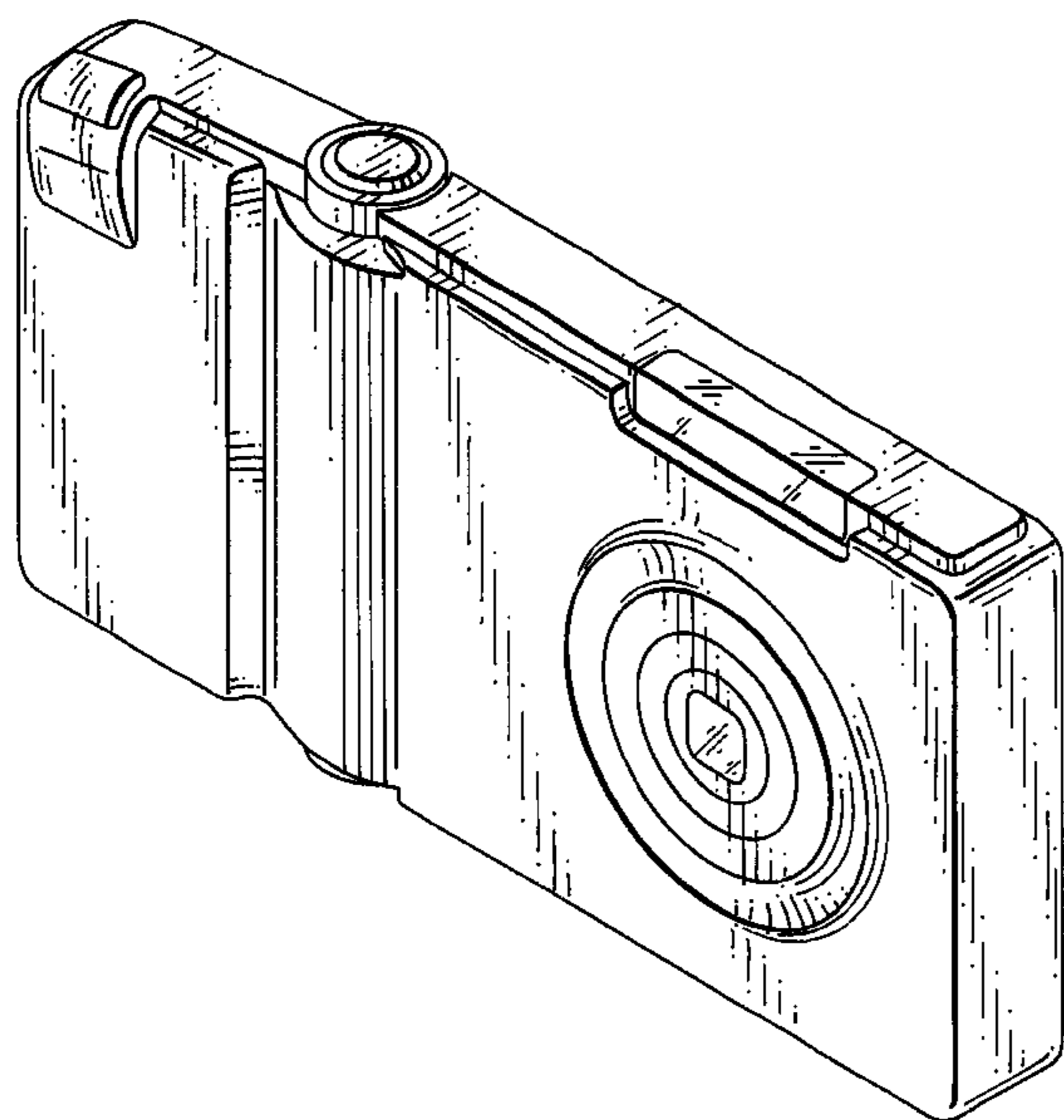
FIG. 9 an alternate front perspective view showing the camera in use; and,

FIG. 10 is an alternate rear perspective showing the camera in use, the broken line showing of a fragmentary human hand is for illustrative purposes only and forms no part of the claimed design.

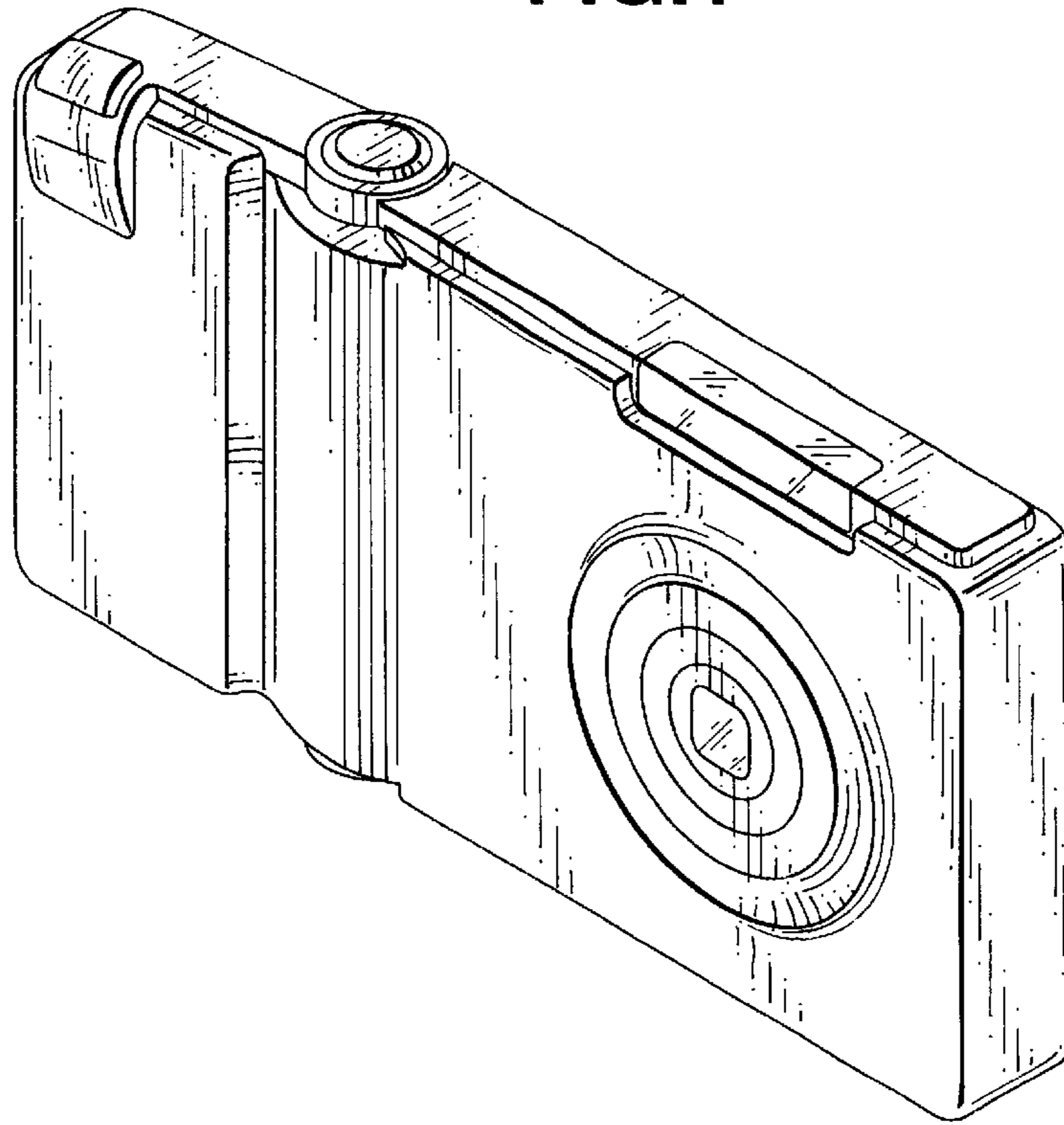
FIG. 11 is a perspective view showing the second embodiment of a digital camera, as seen obliquely from the front right upper side thereof, in which the portion except thinly smeared with India ink is the one for which a right as design invention is sought; and,

FIG. 12 is a perspective view, as seen obliquely from the rear right lower side thereof, in which the portion except thinly smeared with India ink is the one for which the right as design invention is sought.

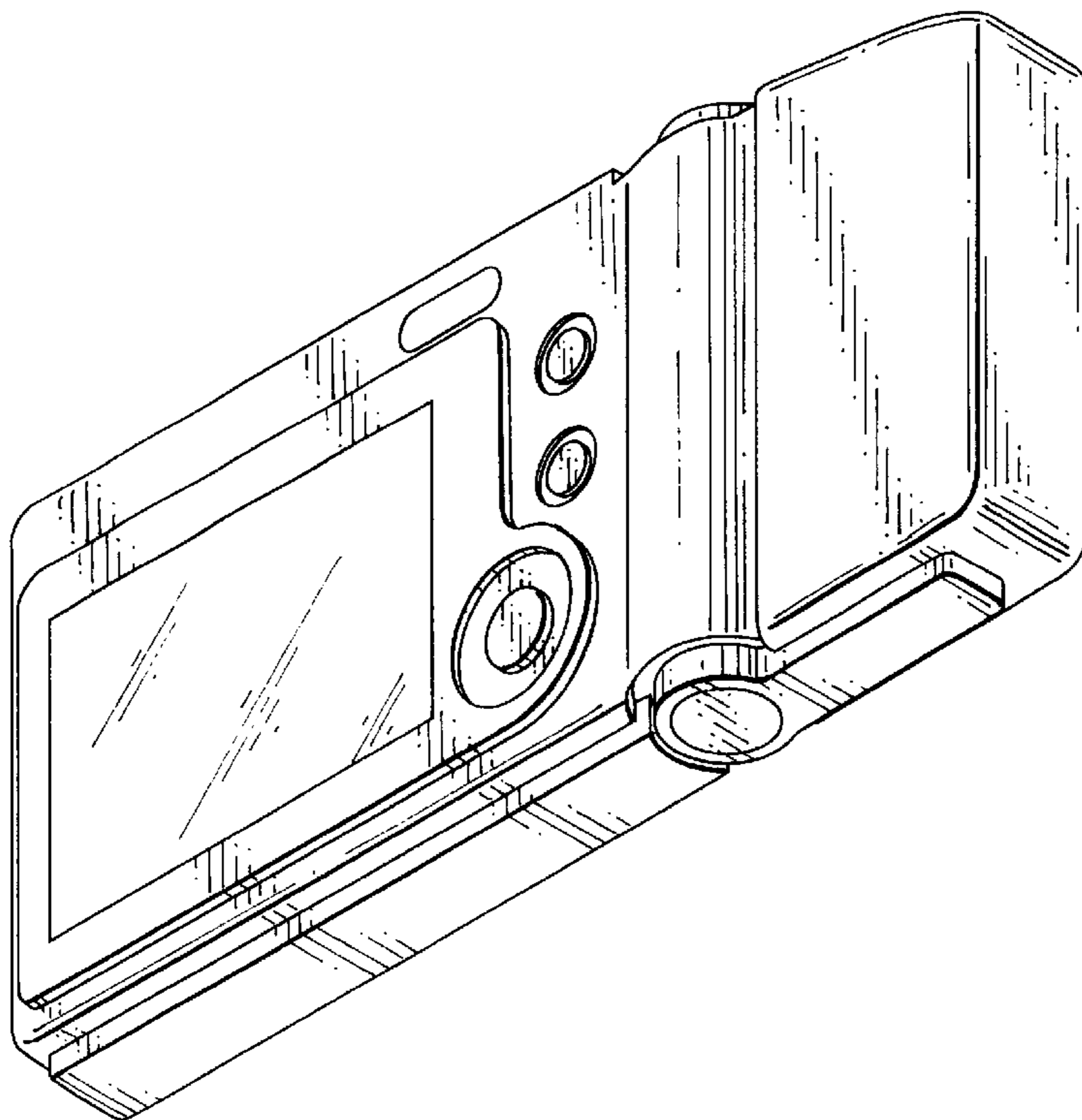
**1 Claim, 6 Drawing Sheets**



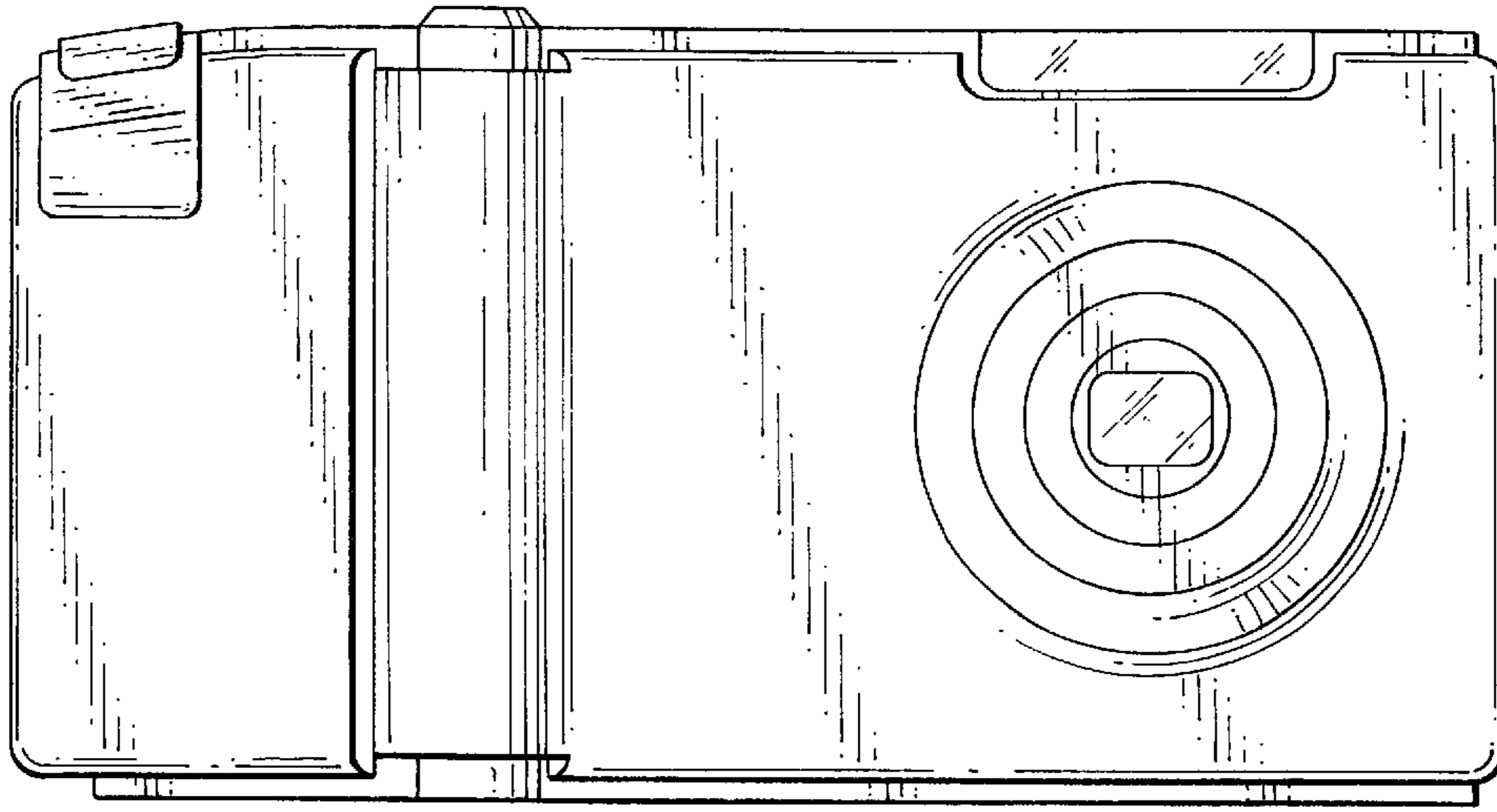
**FIG.1**



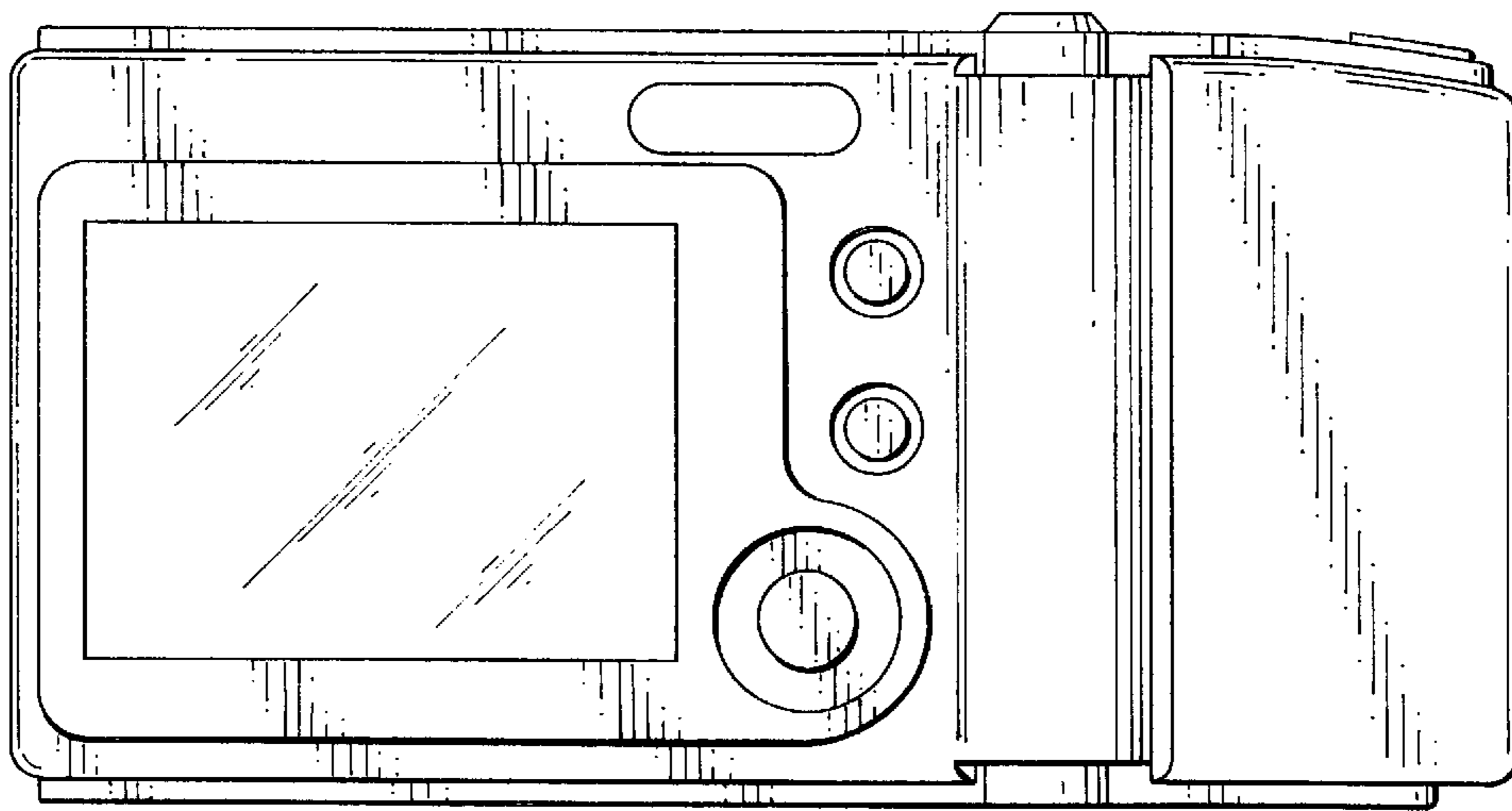
**FIG.2**



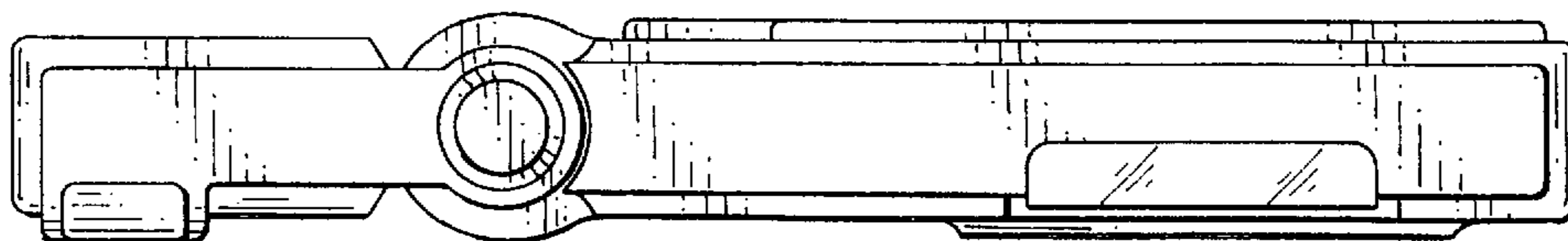
**FIG.3**



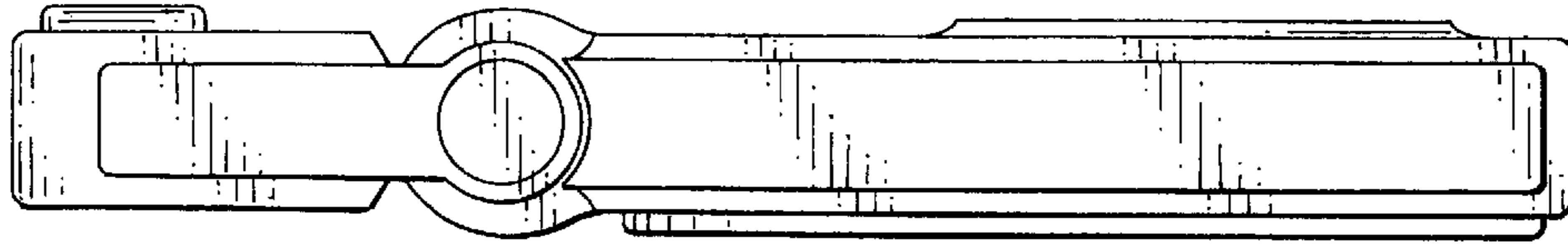
**FIG.4**



**FIG.5**



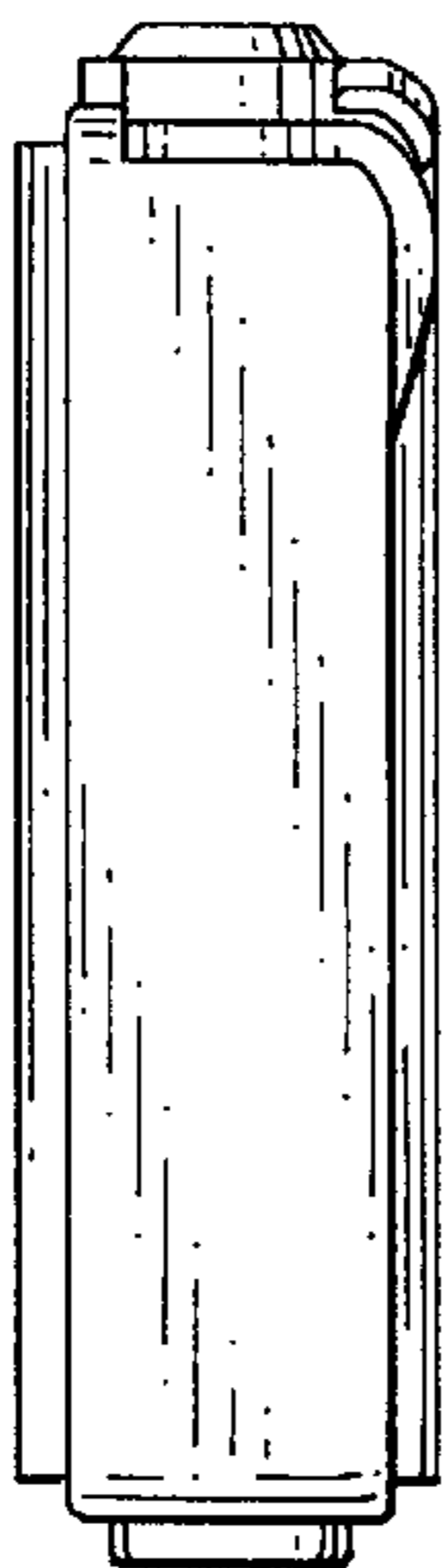
**FIG.6**



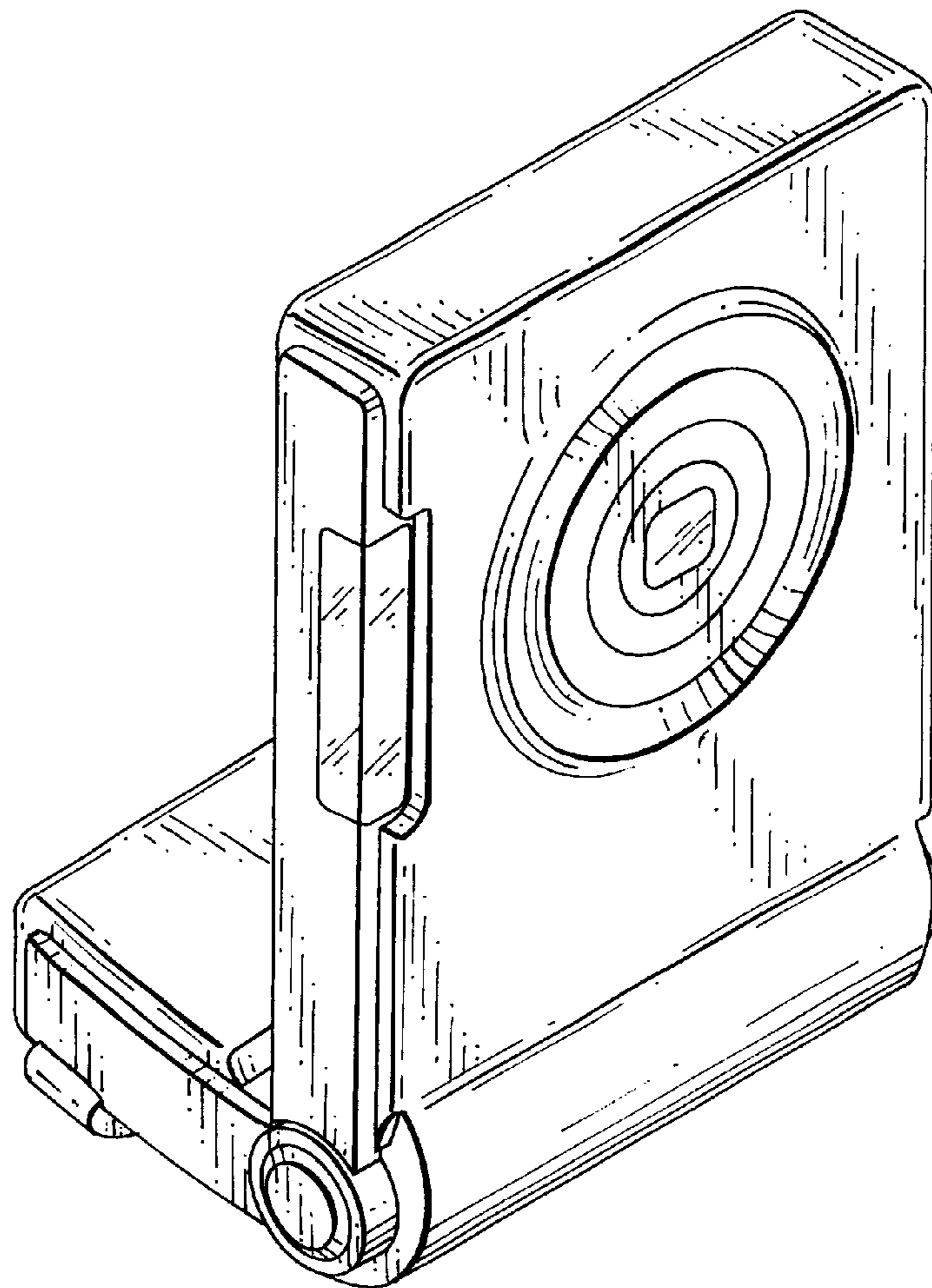
**FIG.7**



**FIG.8**



**FIG.9**



**FIG.10**

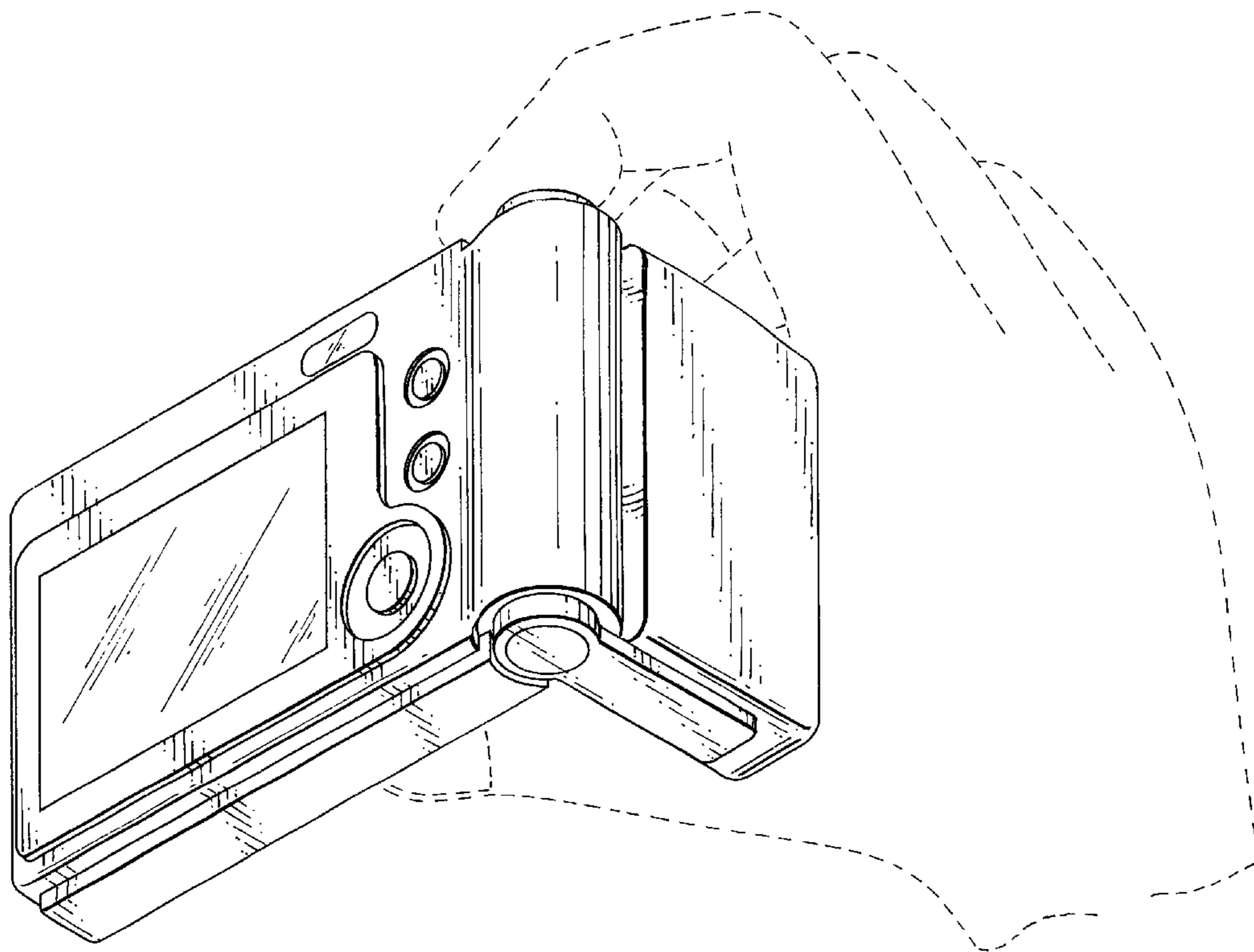


FIG.11

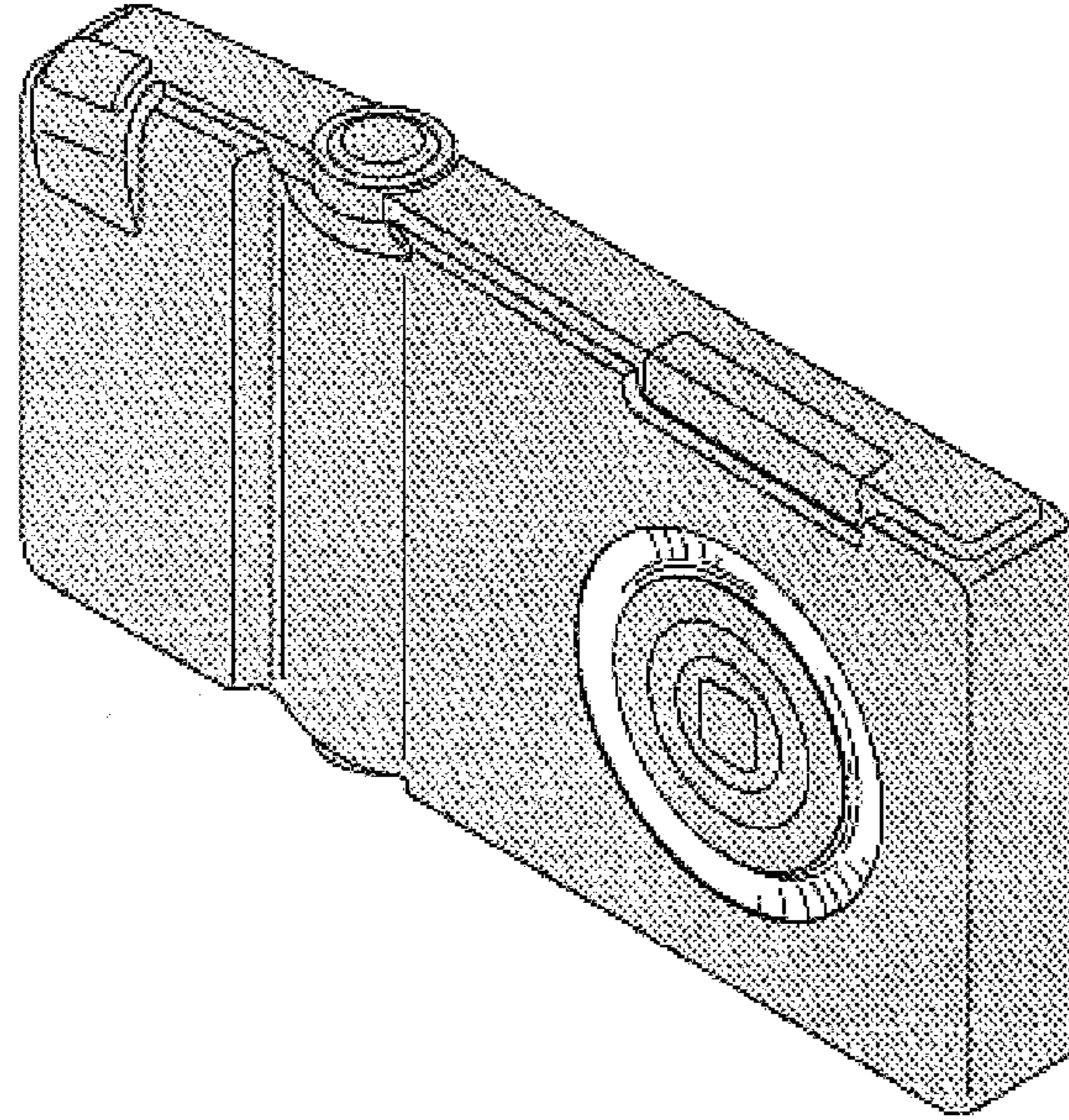


FIG.12

