

US00D529245S

(12) **United States Design Patent**  
**Dammkoehler**

(10) **Patent No.:** **US D529,245 S**

(45) **Date of Patent:** **\*\* Sep. 26, 2006**

(54) **VACUUM CLEANER**

D418,265 S \* 12/1999 Farone et al. .... D32/22  
D497,042 S \* 10/2004 Elrod ..... D32/22

(75) Inventor: **Denis Dammkoehler**, Backnang (DE)

(73) Assignee: **Alfred Kaercher GmbH & Co. KG**,  
Winnenden (DE)

(\*\*) Term: **14 Years**

(21) Appl. No.: **29/211,163**

(22) Filed: **Aug. 10, 2004**

(30) **Foreign Application Priority Data**

Apr. 27, 2004 (EM) ..... 172432

(51) **LOC (8) Cl.** ..... **15-05**

(52) **U.S. Cl.** ..... **D32/22**

(58) **Field of Classification Search** ..... D32/17-18,  
D32/21-22, 25, 30-34; 15/320-321, 323,  
15/327.1, 335, 347, 350-353, 361, 329, 410,  
15/412; 55/459.1-459.2, 449, DIG. 3, 426,  
55/337, 345, 429, 467, 472; 95/271; 210/787,  
210/806, 512.1, 512.2

See application file for complete search history.

(56) **References Cited**

**U.S. PATENT DOCUMENTS**

D314,260 S \* 1/1991 Lee ..... D32/22  
D315,042 S \* 2/1991 Ikeda ..... D32/22  
D316,167 S \* 4/1991 Petralia et al. .... D32/22  
D339,433 S \* 9/1993 Stein et al. .... D32/22  
D413,187 S \* 8/1999 Wang et al. .... D32/22  
D415,324 S \* 10/1999 Wang et al. .... D32/22

**OTHER PUBLICATIONS**

Excerpt from brochure "nilco REINIGUNGSM-  
ASCHINEN" distributed Oct. 28, 1999 in Cologne, Ger-  
many at the fair, Internationale Reinigungswoche IRW , 2  
pages.

Excerpt from brochure "Fakir Domestic Appliances" dis-  
tributed May 11, 2000 in Amsterdam at the fair, InterClean,  
2 pages.

Excerpt from brochure of Applicant (Alfred Kaercher  
GmbH & Co. KG)entitled "Das komplette Trockensauger-  
programm" published Jan. 1997, 4 pages.

\* cited by examiner

*Primary Examiner*—Ruth McInroy

(74) *Attorney, Agent, or Firm*—Lipsitz & McAllister, LLC

(57) **CLAIM**

The ornamental design for vacuum cleaner, as shown and  
described.

**DESCRIPTION**

FIG. 1 is a front and right side perspective view showing the  
design;

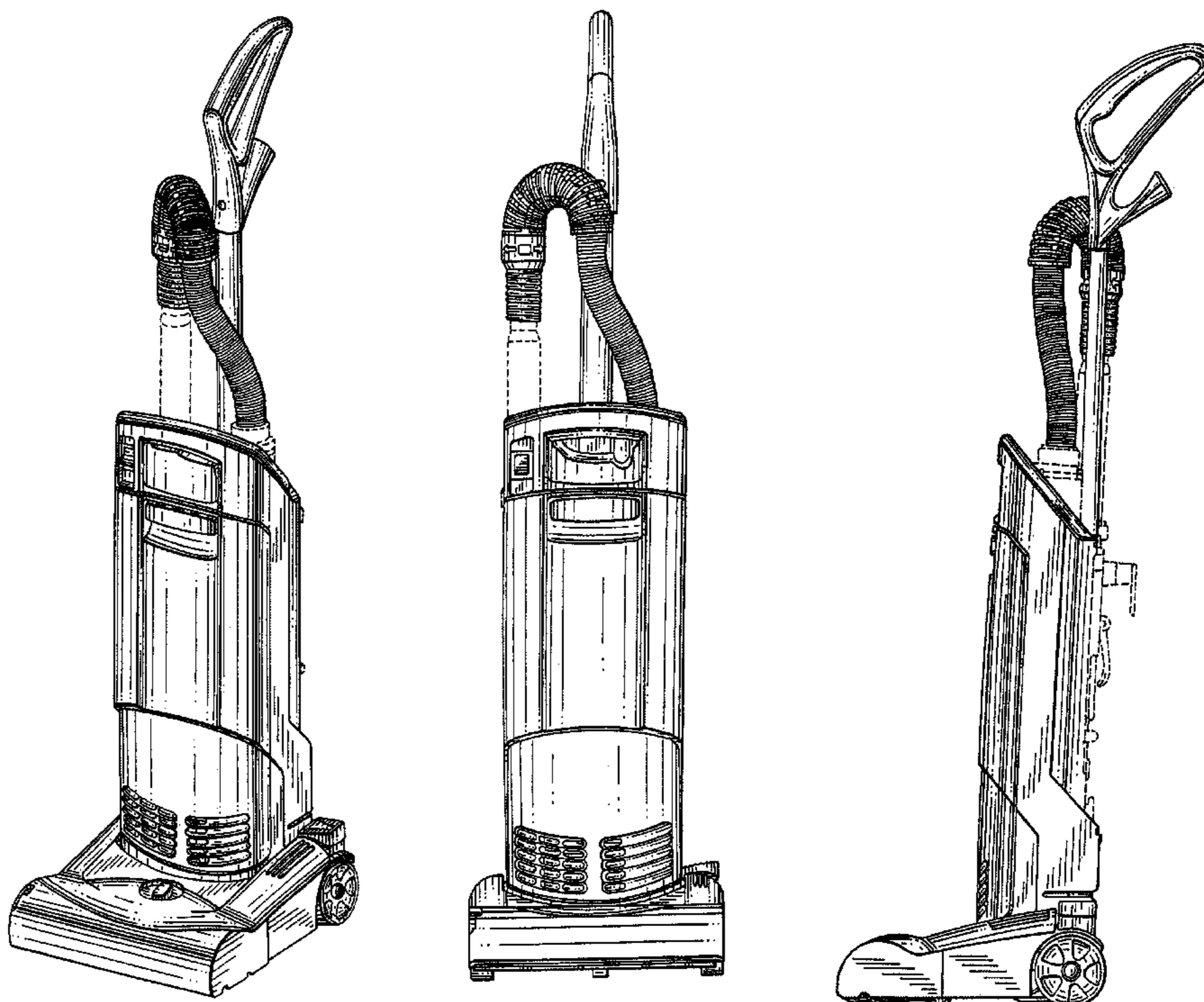
FIG. 2 is a front and left side perspective view of the design;

FIG. 3 is a front elevational view of the design;

FIG. 4 is a left side elevational view of the design; and,

FIG. 5 is a right side elevational view of the design.

**1 Claim, 5 Drawing Sheets**



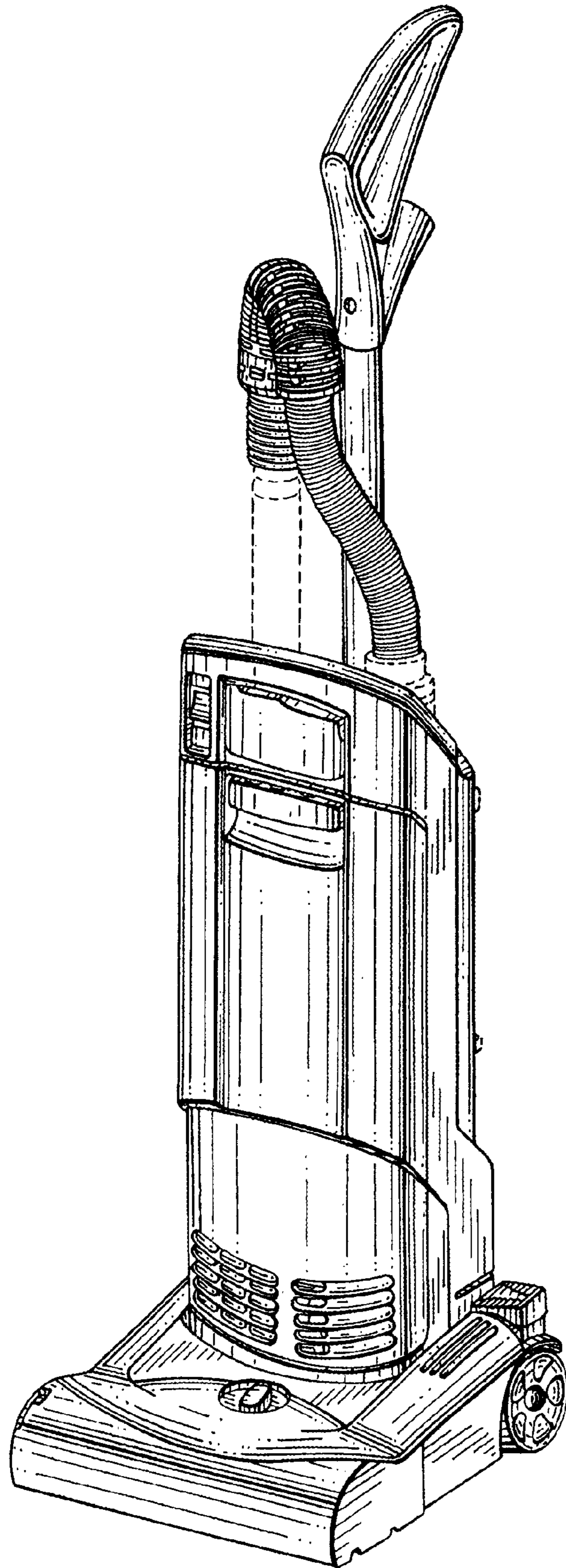


FIG. 1

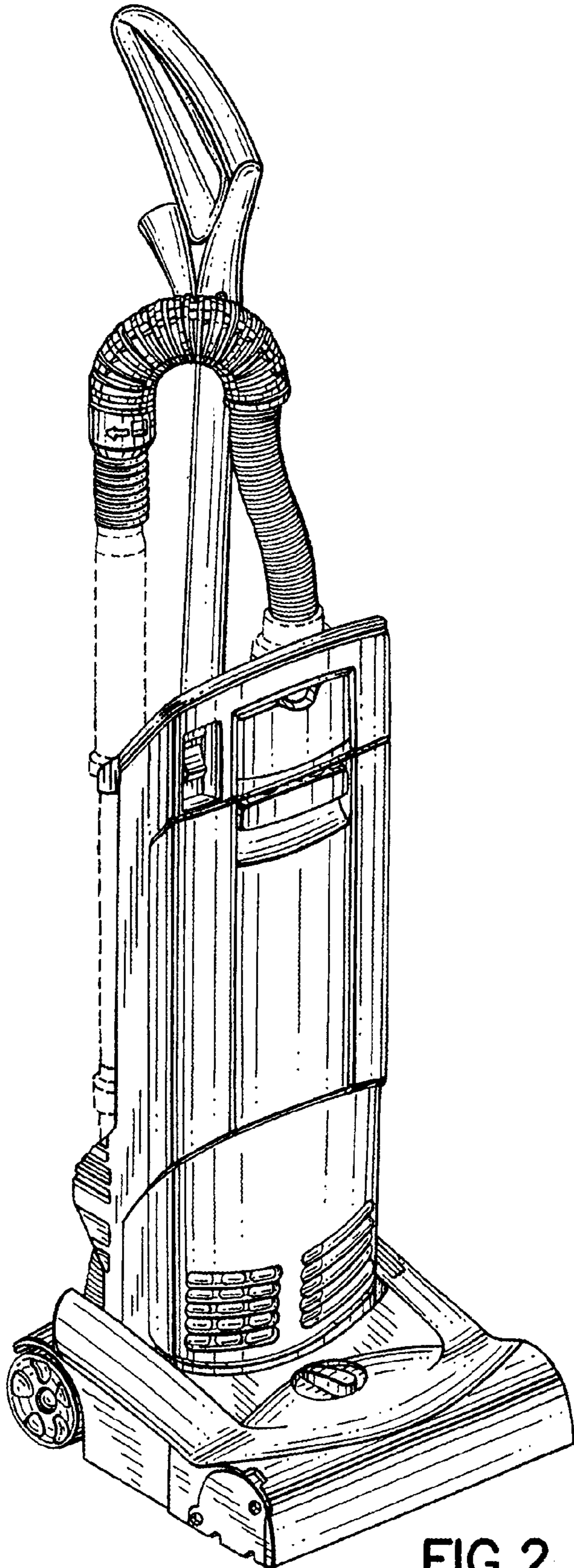


FIG. 2

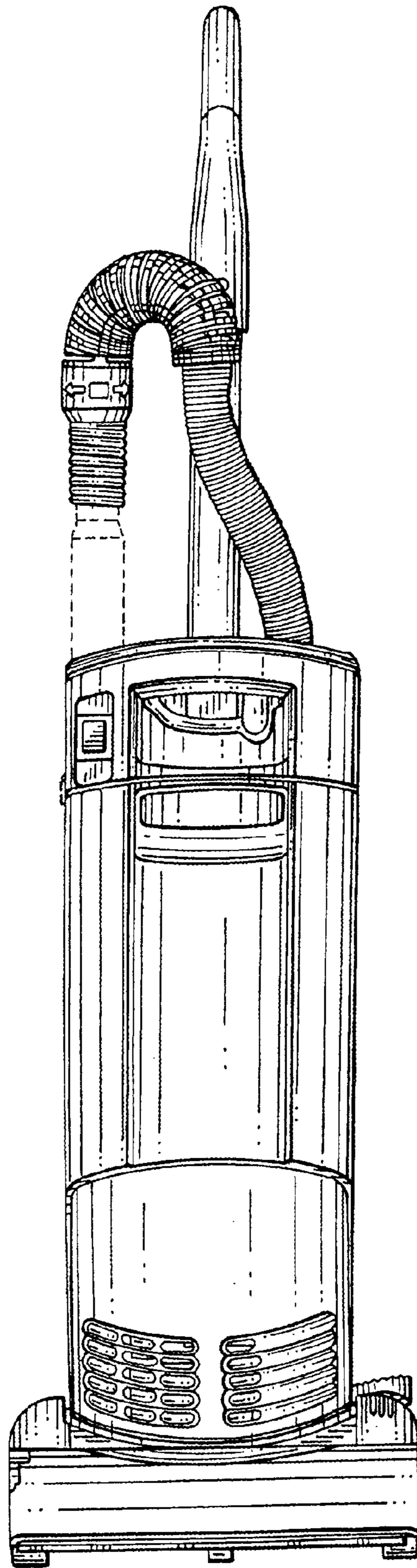


FIG.3

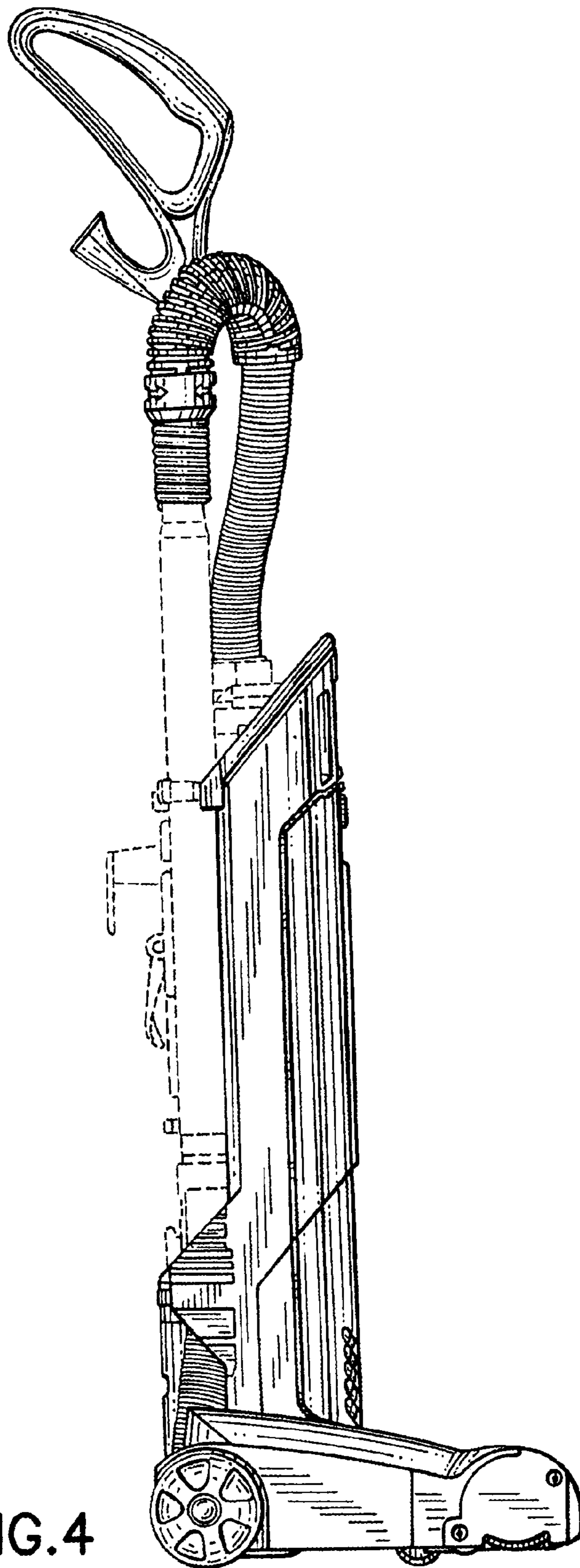


FIG. 4

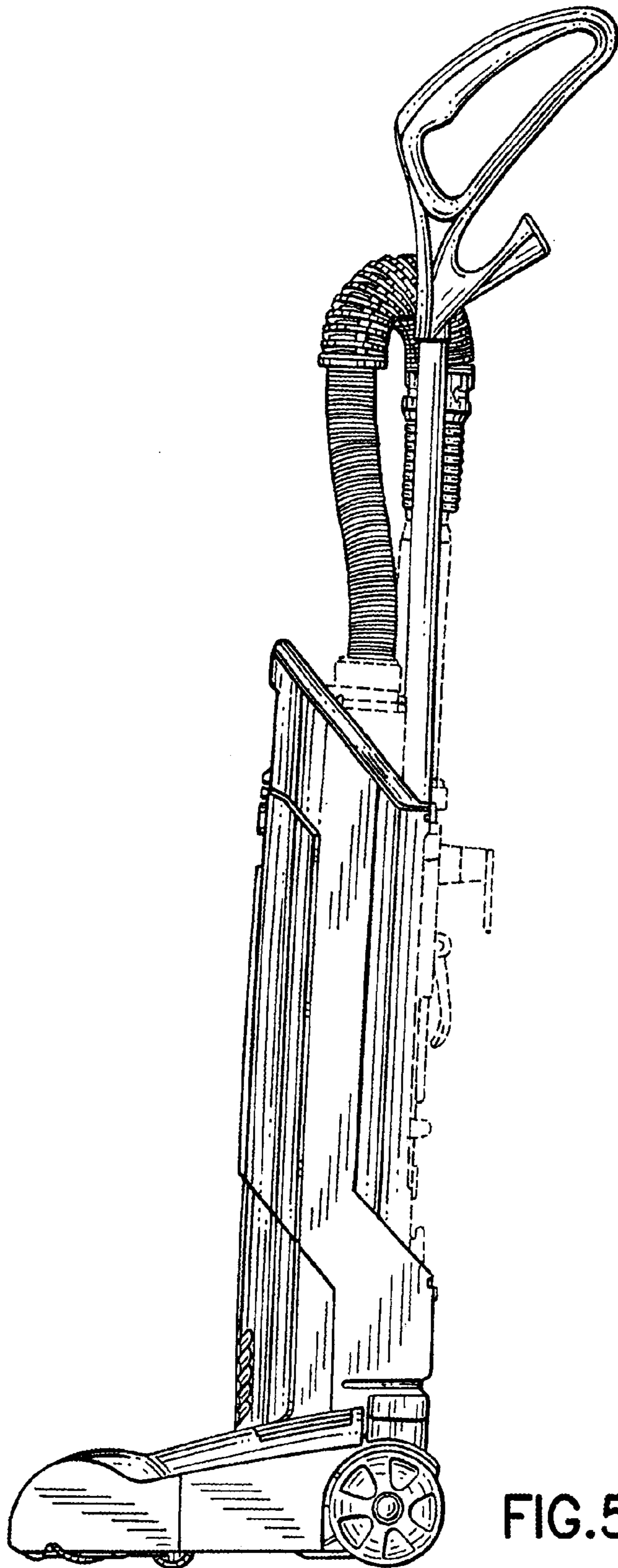


FIG.5