



US00D529243S

(12) **United States Design Patent**
Noma et al.

(10) **Patent No.:** **US D529,243 S**

(45) **Date of Patent:** **** Sep. 26, 2006**

(54) **PORTABLE ELECTRIC BLOWER**

D497,692 S * 10/2004 Nawrozki et al. D32/15
D498,885 S * 11/2004 Robson D32/15
6,834,413 B1 * 12/2004 Sanders et al. 15/405

(75) Inventors: **Masaharu Noma**, Fuchu (JP); **Shinji Oohama**, Fuchu (JP)

FOREIGN PATENT DOCUMENTS

(73) Assignee: **Ryobi Ltd.**, Hiroshima-ken (JP)

JP 10 98 298 1/2001

(**) Term: **14 Years**

* cited by examiner

(21) Appl. No.: **29/211,850**

Primary Examiner—Louis S. Zarfes

Assistant Examiner—Kathleen Sims

(22) Filed: **Aug. 24, 2004**

(74) *Attorney, Agent, or Firm*—Sughrue Mion, PLLC

(30) **Foreign Application Priority Data**

Feb. 25, 2004 (JP) 2004-005522

(57) **CLAIM**

The ornamental design for a portable electric blower, as shown and described.

(51) **LOC (8) Cl.** **15-05**

DESCRIPTION

(52) **U.S. Cl.** **D32/15**

(58) **Field of Classification Search** D32/1,
D32/15, 16, 17, 21, 18, 25; 15/344, 345,
15/405; D23/213

See application file for complete search history.

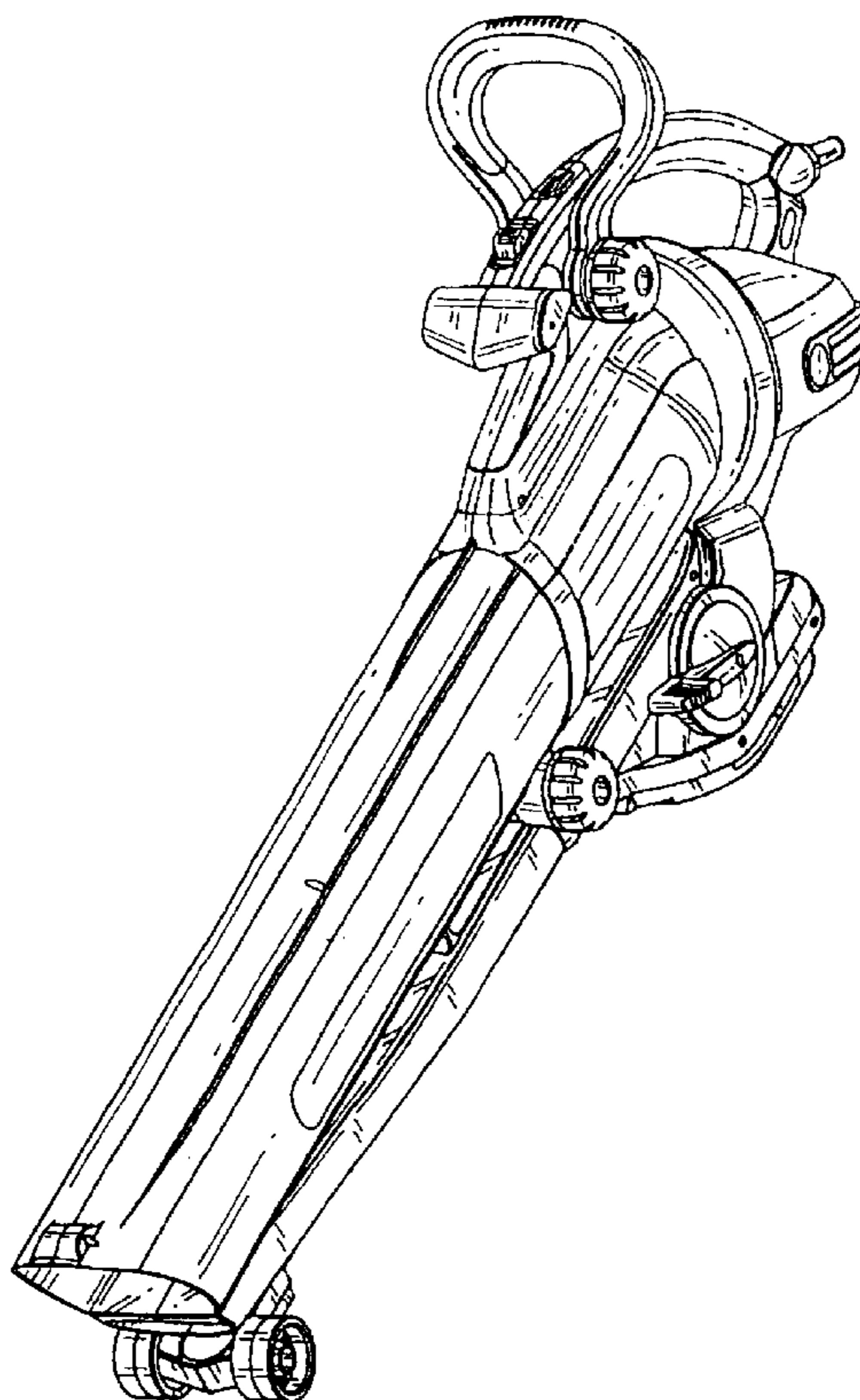
FIG. 1 is a perspective view of the top, front and right side of a portable electric blower showing our new design; FIG. 2 is a right side elevational view thereof; FIG. 3 is a left side elevational view thereof; FIG. 4 is a top plan view thereof; FIG. 5 is a bottom plan view thereof; FIG. 6 is a front elevational view thereof; FIG. 7 is a rear elevational view thereof; FIG. 8 is right side elevational view similar to FIG. 2 showing the nozzle in retracted position thereof; and, FIG. 9 top plan view similar to FIG. 4 showing the nozzle in the retracted position thereof.

(56) **References Cited**

U.S. PATENT DOCUMENTS

D258,908 S * 4/1981 Satoh D23/383
D286,927 S * 11/1986 Aiyama D32/15
D297,274 S * 8/1988 Komiya et al. D32/15
5,584,436 A * 12/1996 Sepke 239/154
D400,322 S * 10/1998 Webster et al. D32/15
D427,394 S * 6/2000 Yamane et al. D32/15
D469,931 S * 2/2003 Nawrozki et al. D32/15

1 Claim, 7 Drawing Sheets



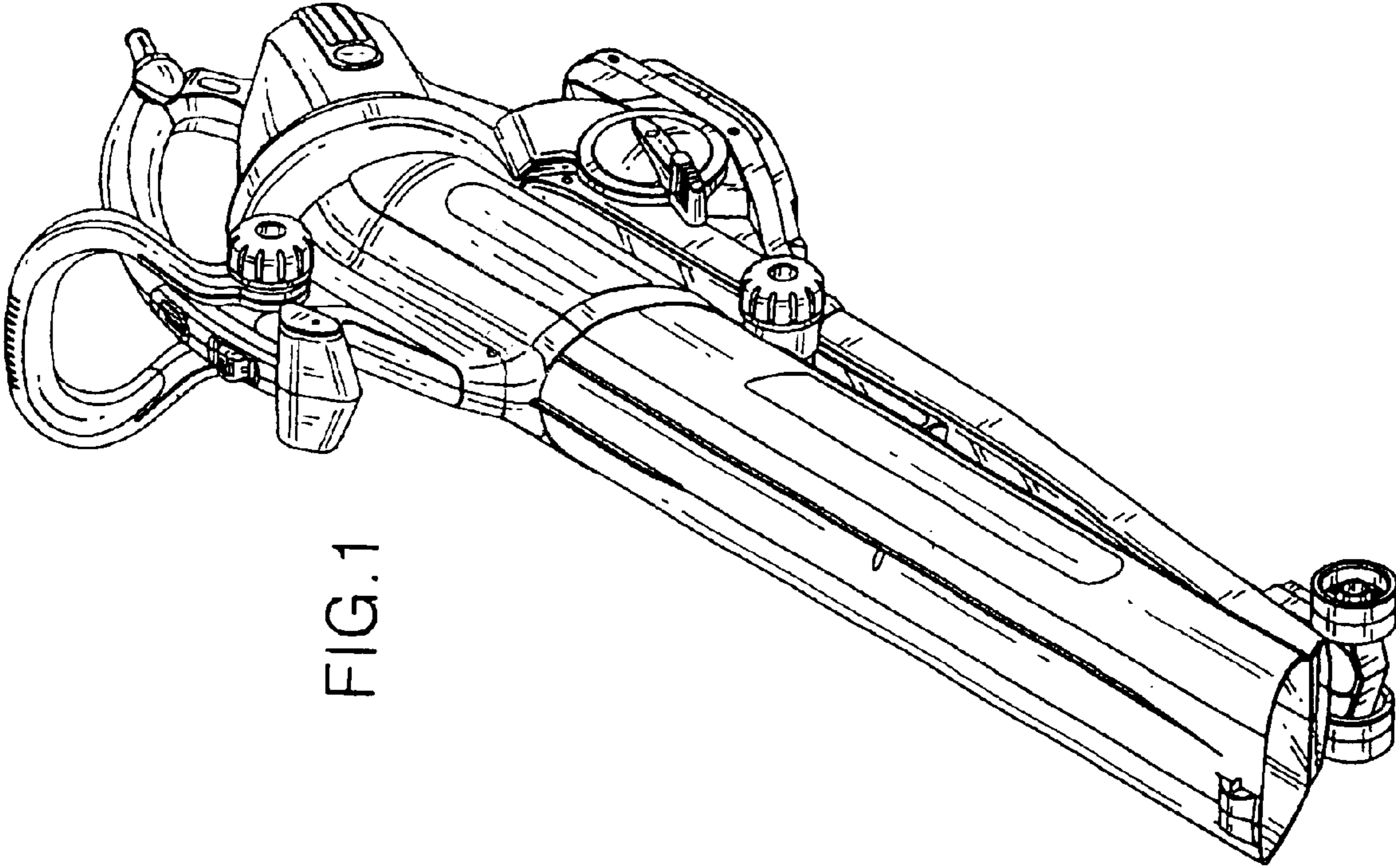


FIG.1

FIG.2

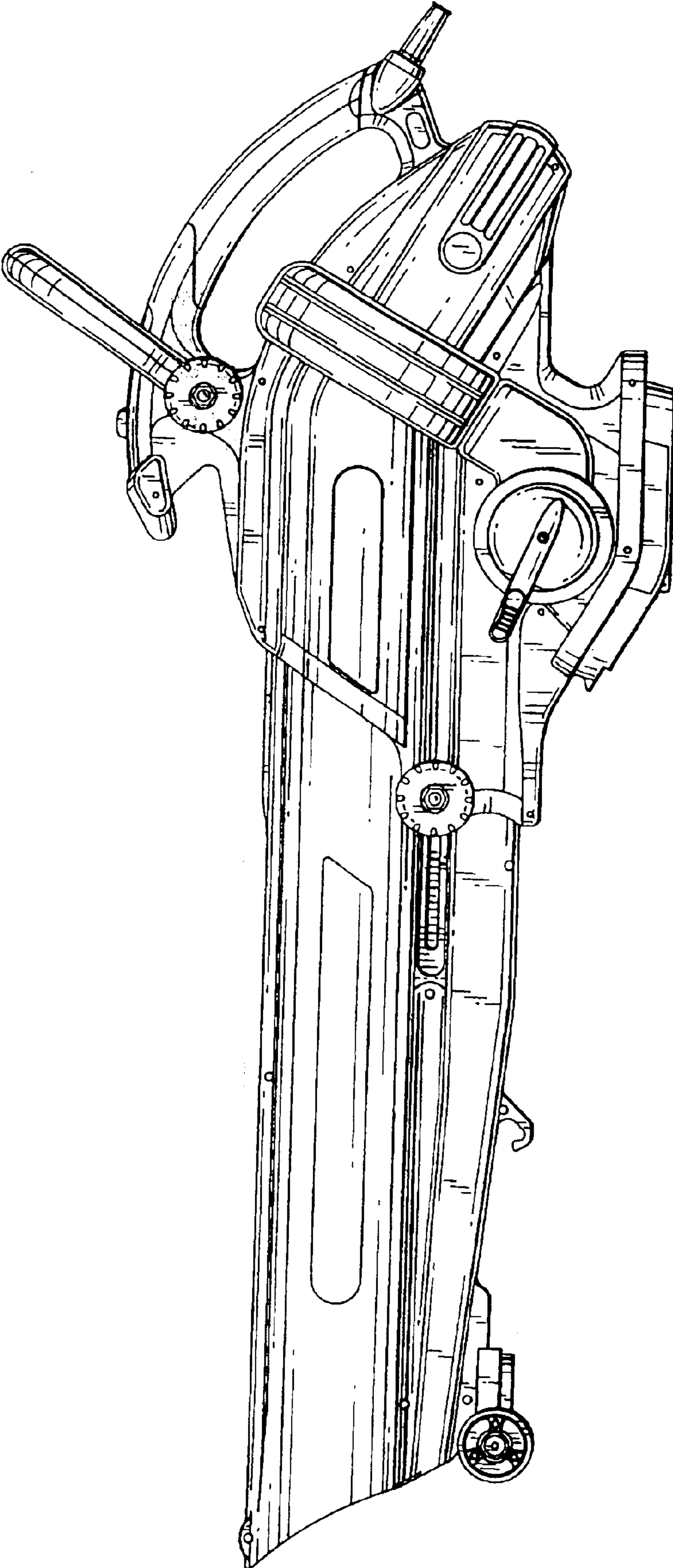


FIG.3

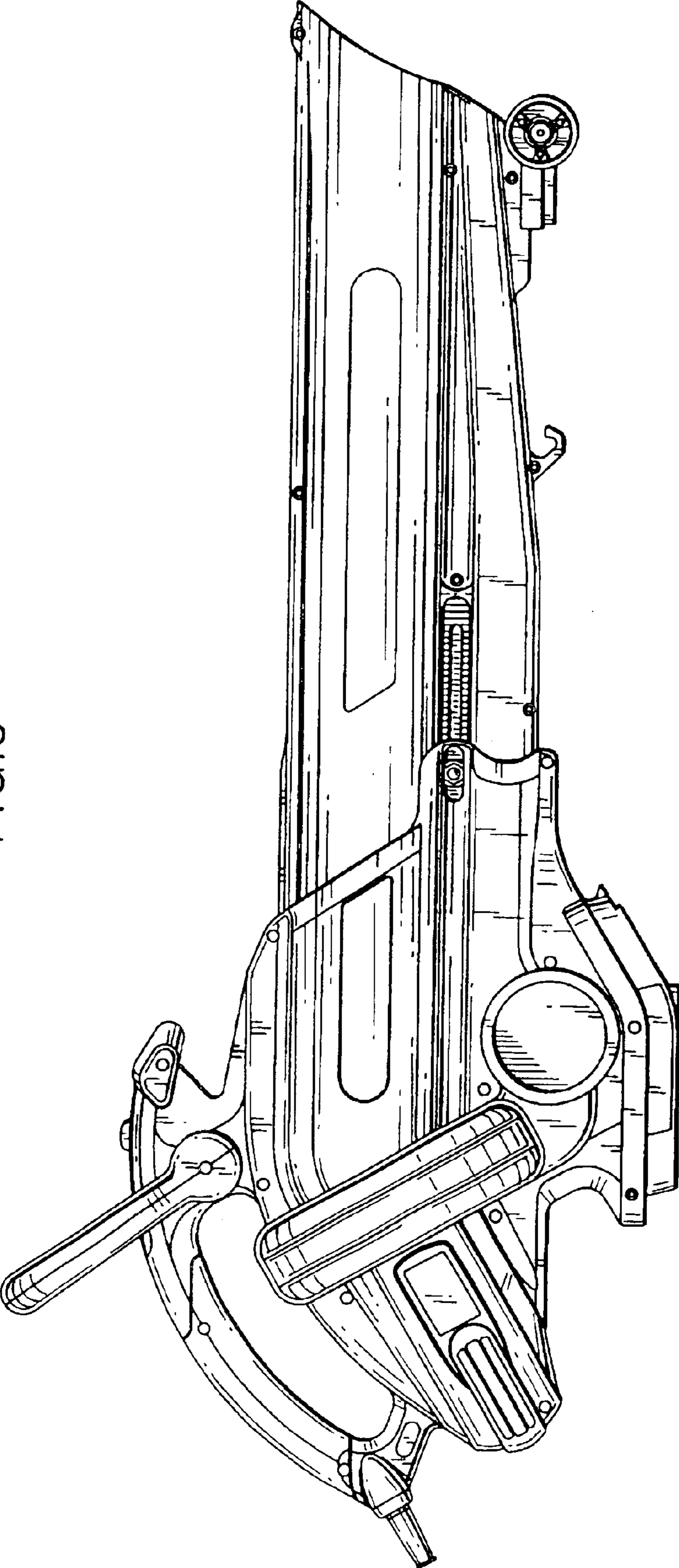


FIG.4

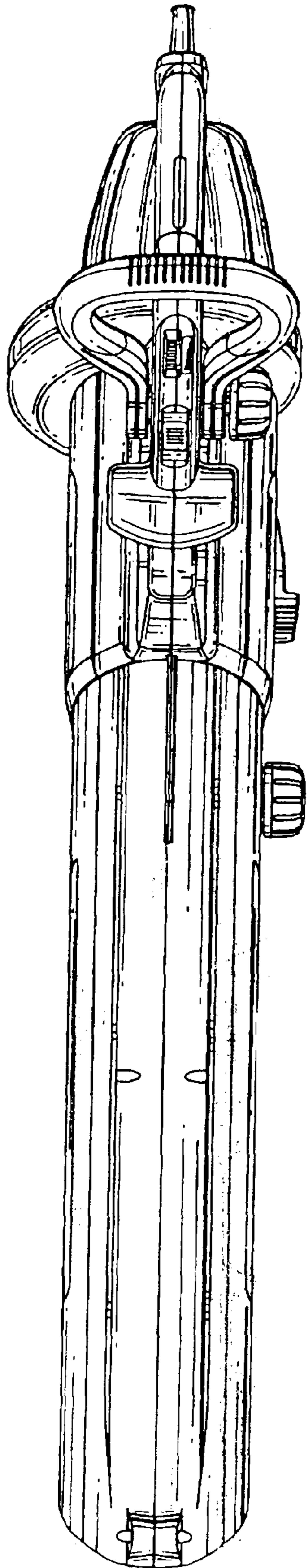


FIG.5

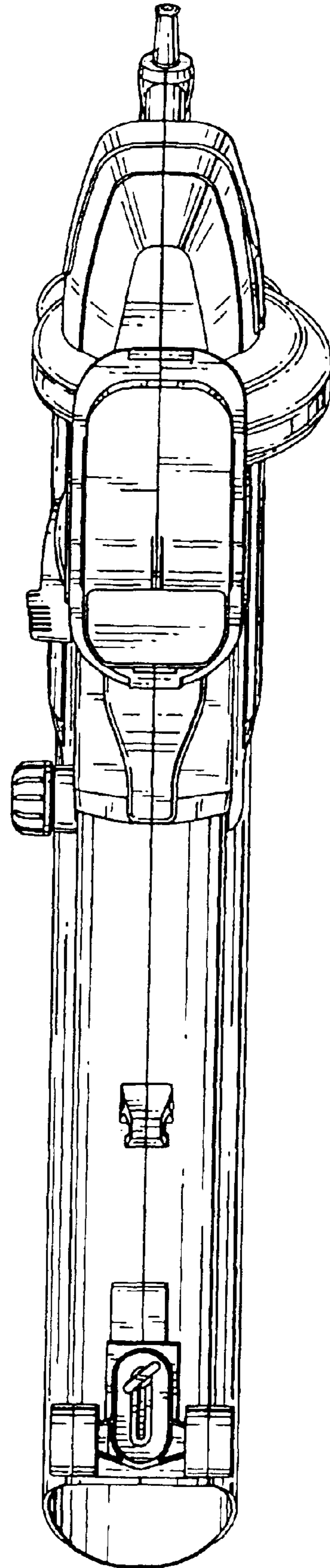


FIG. 7

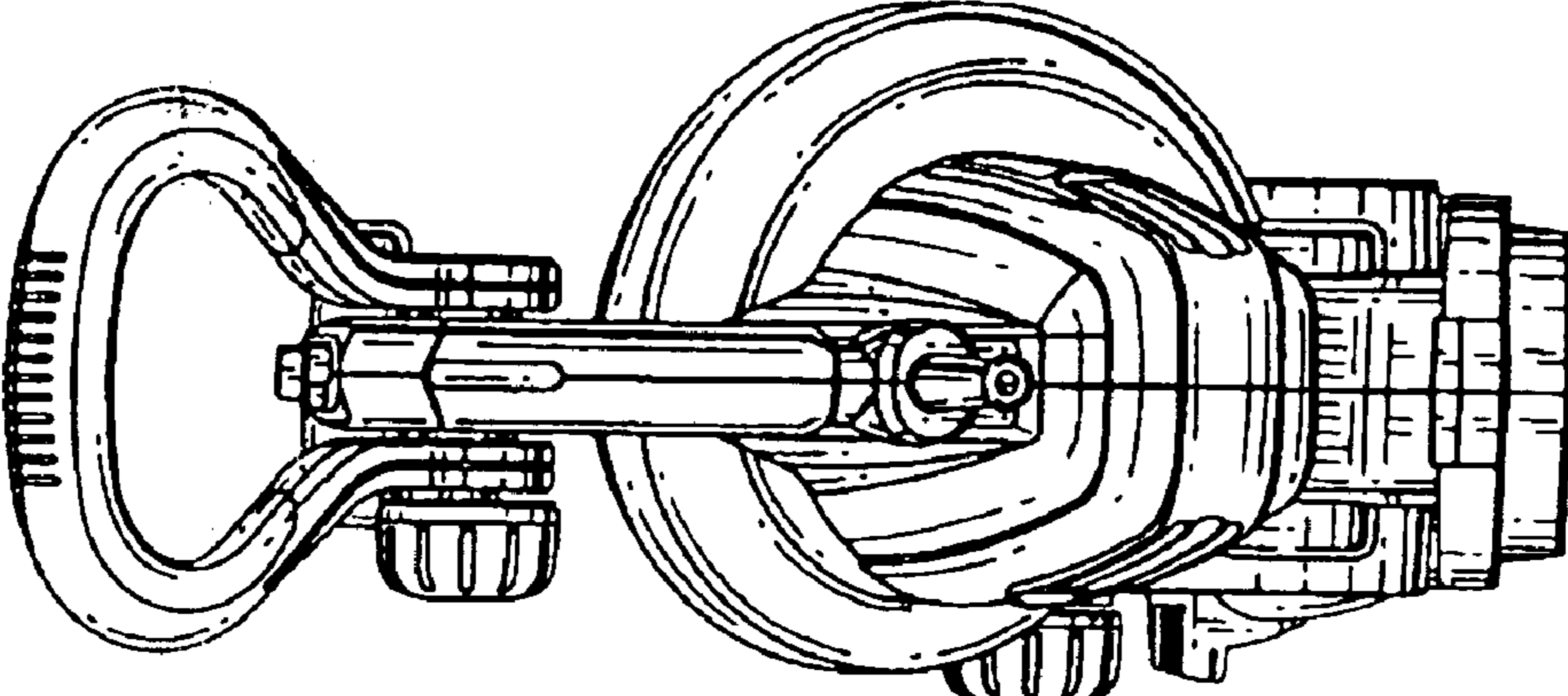


FIG. 6

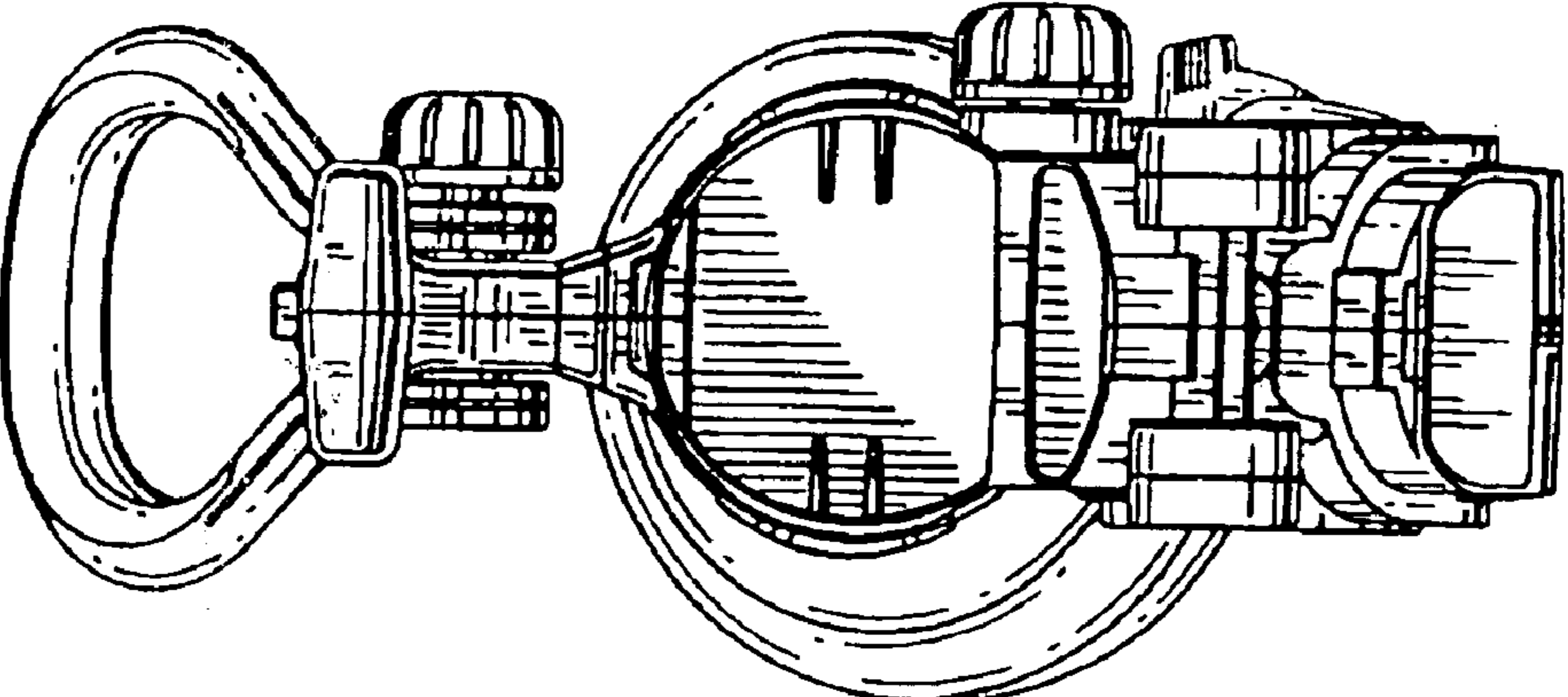


FIG. 8

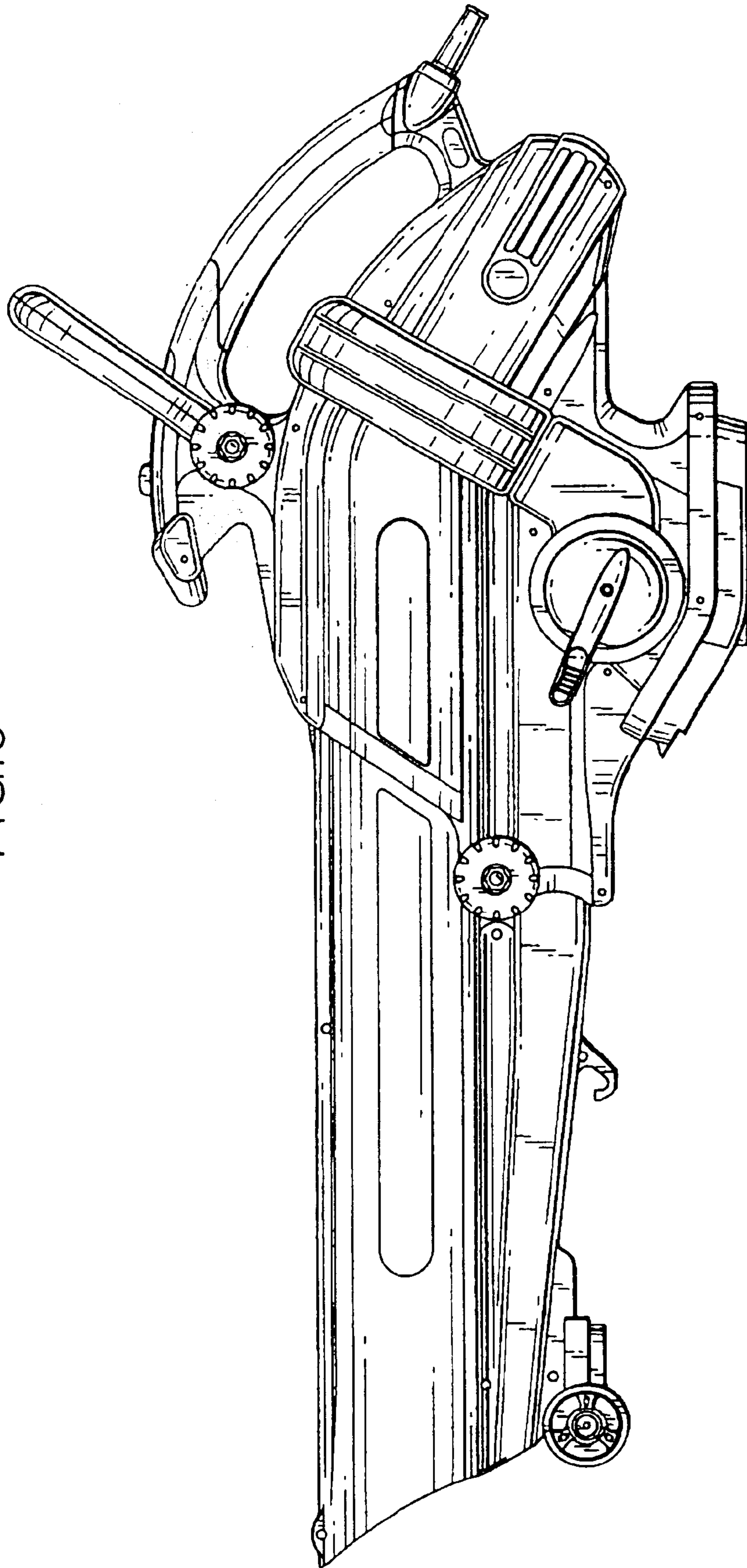


FIG.9

