



US00D529226S

(12) **United States Design Patent**
Park

(10) **Patent No.:** **US D529,226 S**

(45) **Date of Patent:** **** Sep. 26, 2006**

(54) **LIGHTER**

(75) Inventor: **Keith K. Park**, La Canada Flintridge, CA (US)

(73) Assignee: **Prometheus International, Inc.**, Commerce, CA (US)

(**) Term: **14 Years**

(21) Appl. No.: **29/222,423**

(22) Filed: **Jan. 28, 2005**

(51) **LOC (8) Cl.** **27-05**

(52) **U.S. Cl.** **D27/143; D27/157**

(58) **Field of Classification Search** D27/139,
D27/141-161; 30/109-113; 131/248, 249;
431/129, 143, 153, 253-256, 273-277
See application file for complete search history.

(56) **References Cited**

U.S. PATENT DOCUMENTS

D348,119 S	6/1994	Maruyama	
D376,668 S	12/1996	Maruyama	
D421,150 S	2/2000	Wong	
D446,603 S	* 8/2001	Chen D27/157
D454,223 S	3/2002	Park	
D454,224 S	3/2002	Park	
D459,834 S	7/2002	Park	
D460,211 S	7/2002	Park	
D463,617 S	9/2002	Park	
D475,803 S	* 6/2003	Park D27/143
D484,640 S	* 12/2003	Park D27/157
D492,061 S	* 6/2004	Reynolds D27/143
D499,508 S	* 12/2004	Park D27/143
D503,493 S	* 3/2005	Park D27/143

OTHER PUBLICATIONS

Prometheus International, Inc. Fall 1999 catalog, pp. 19, 22, 23, 40, 56 (1999).
Prometheus 1999 Supplement—A (1999).

Prometheus New Collection I for 2000, 2000 Supplement—4 (2000).

Prometheus International, Inc. New Products Oct. 2002, p. 1 (2002).

Prometheus International, Inc. Fall 2003—Fall 2004 catalog, pp. 52, 54, 55, 57, 58, 61, 62, 64-67, 70, 71, 76 (2003).
Prometheus International, Inc. Spring 1998 catalog, p. 16 (1998).

Prometheus International, Inc. Fall 2004—Fall 2005 catalog, p. 86 (Oct. 2004).

* cited by examiner

Primary Examiner—Jennifer Rivard

(74) *Attorney, Agent, or Firm*—Knobbe, Martens, Olson, & Bear LLP

(57) **CLAIM**

The ornamental design for a lighter, as shown and described.

DESCRIPTION

FIG. 1 is a front perspective view of a preferred embodiment of the lighter according to the present design;

FIG. 2 is a front elevational view of the lighter of FIG. 1;

FIG. 3 is a rear elevational view of the lighter of FIG. 1;

FIG. 4 is a left-side elevational view of the lighter of FIG. 1;

FIG. 5 is a right-side elevational view of the lighter of FIG. 1;

FIG. 6 is a top plan view of the lighter of FIG. 1;

FIG. 7 is a bottom plan view of the lighter of FIG. 1;

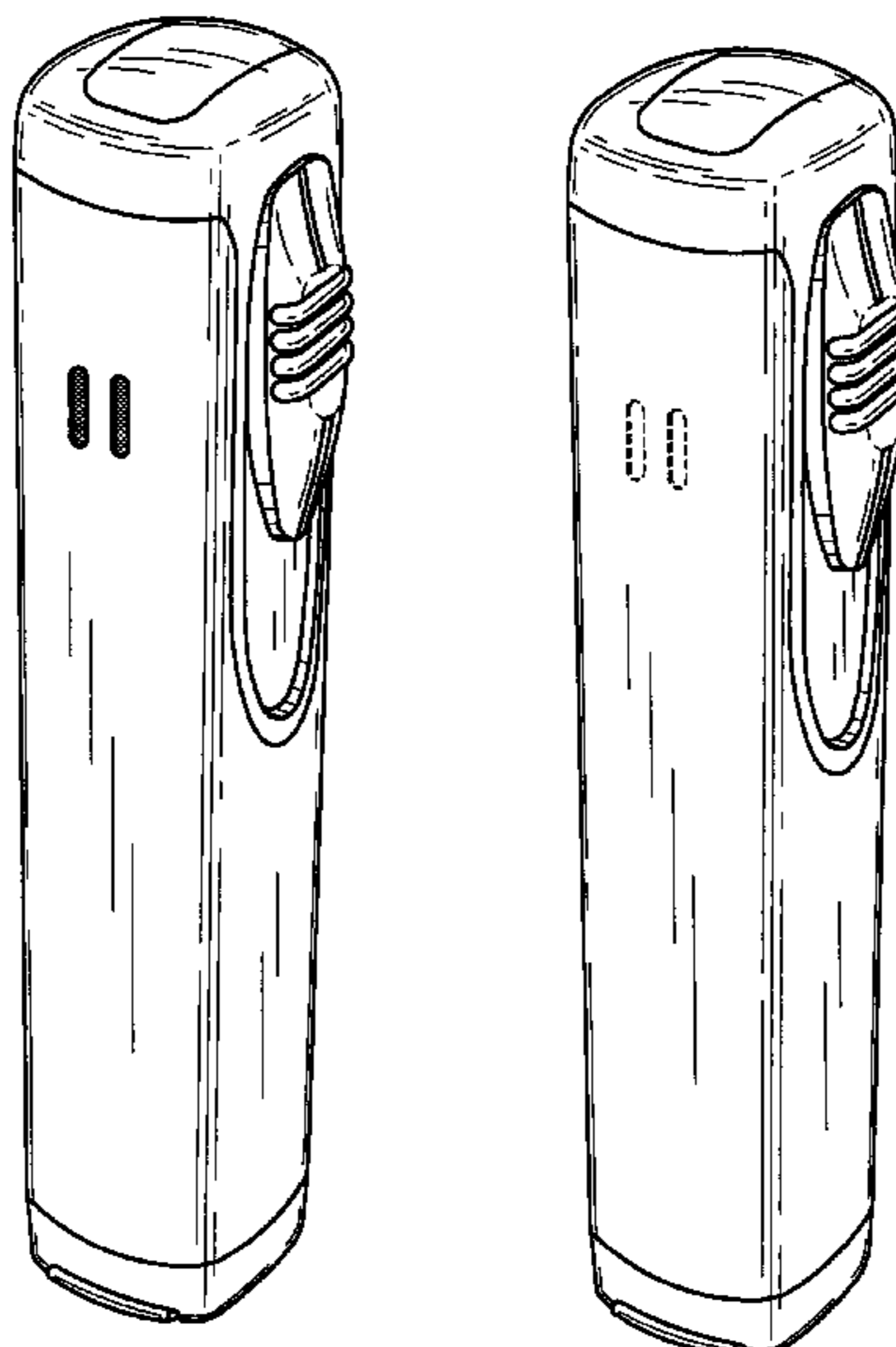
FIG. 8 is a bottom plan view of the lighter of FIG. 1, illustrating a door of the lighter in an open position;

FIG. 9 is a front perspective view of another preferred embodiment of the lighter according to the present design; and,

FIG. 10 is a left-side elevational view of the lighter of FIG. 9.

The broken line showing is for illustrative purposes only and forms no part of the claimed design.

1 Claim, 5 Drawing Sheets



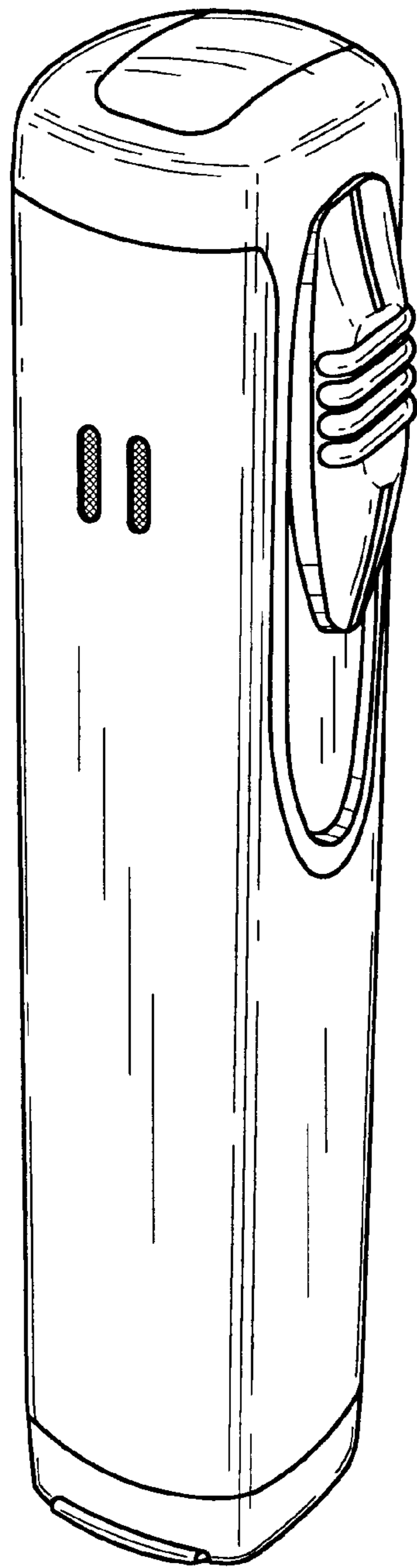


FIG. 1

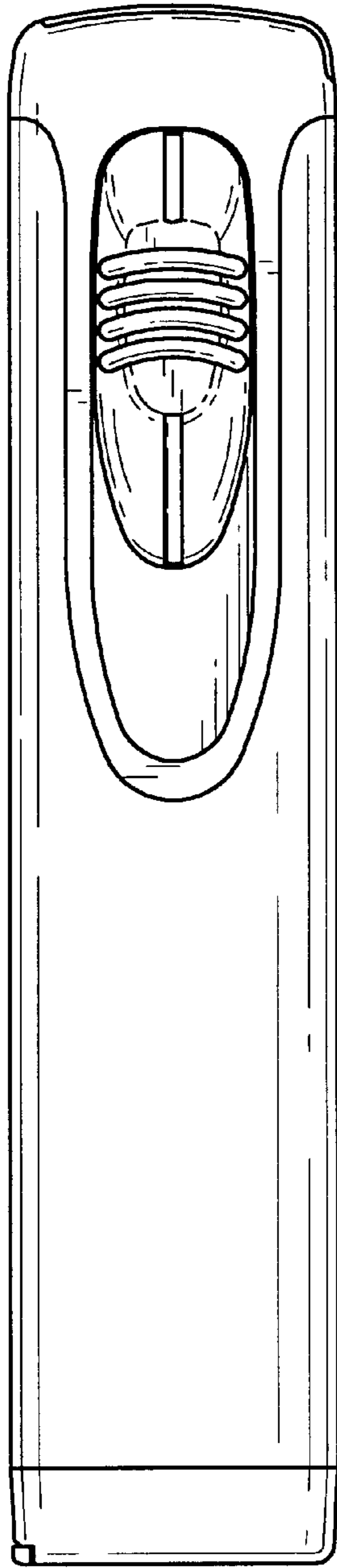


FIG. 2

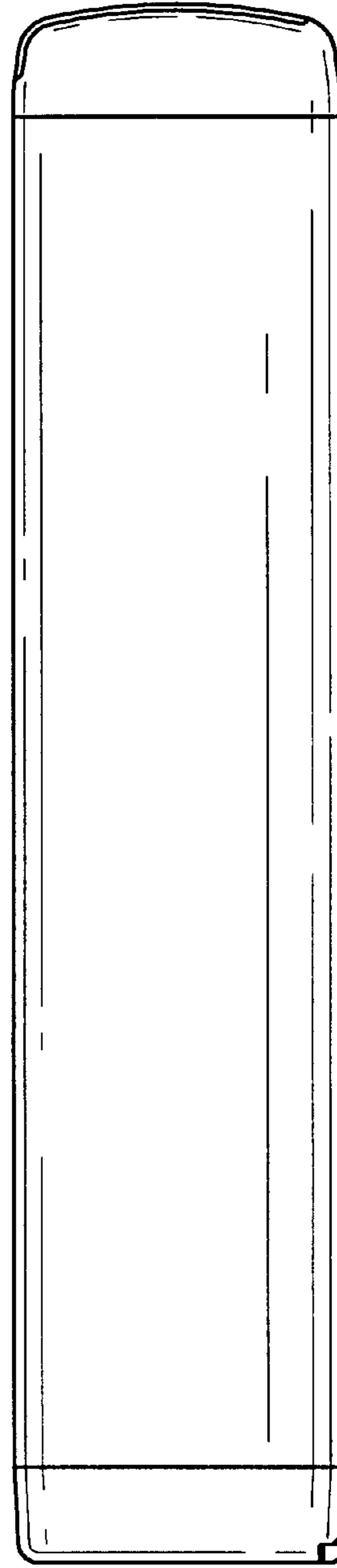


FIG. 3

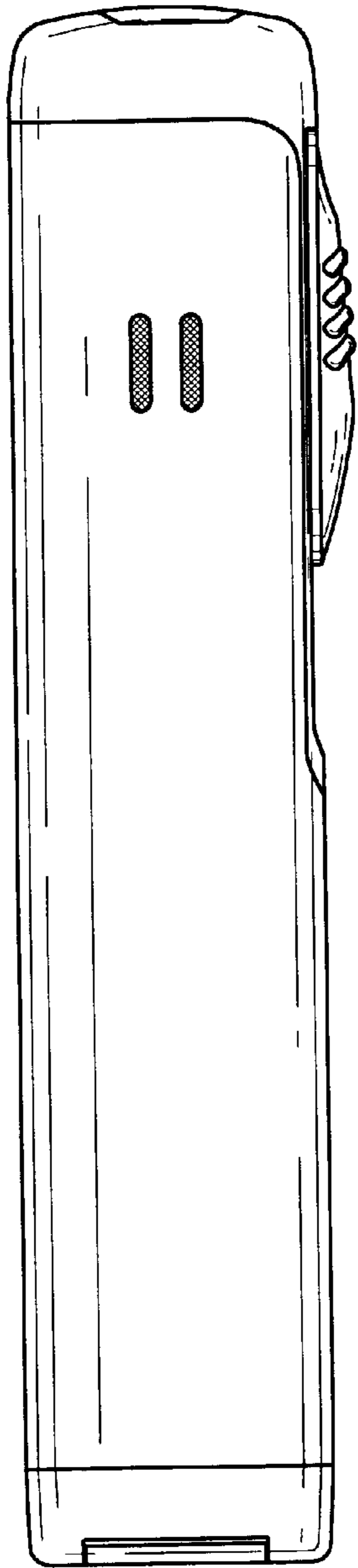


FIG. 4



FIG. 5

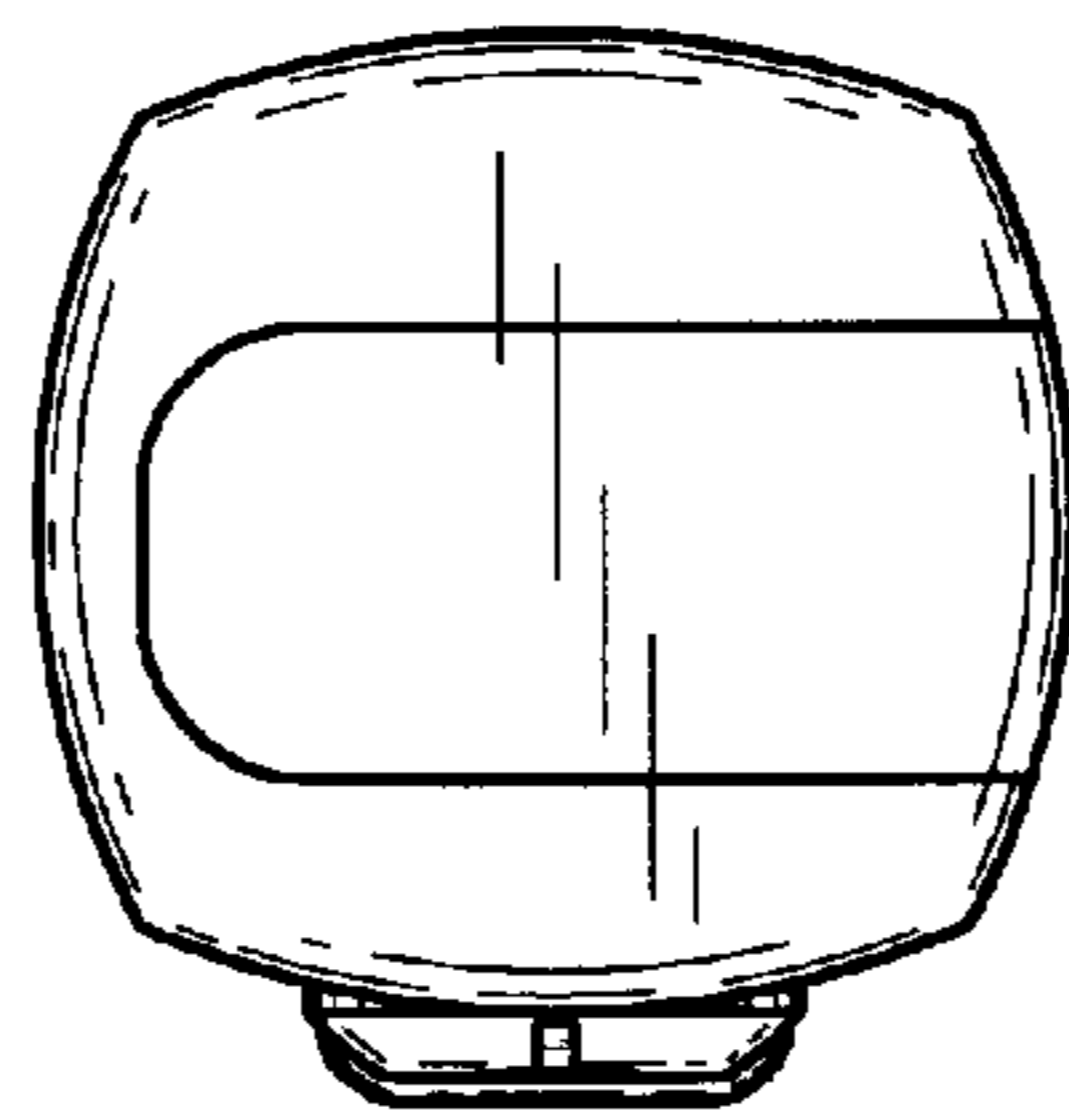


FIG. 6

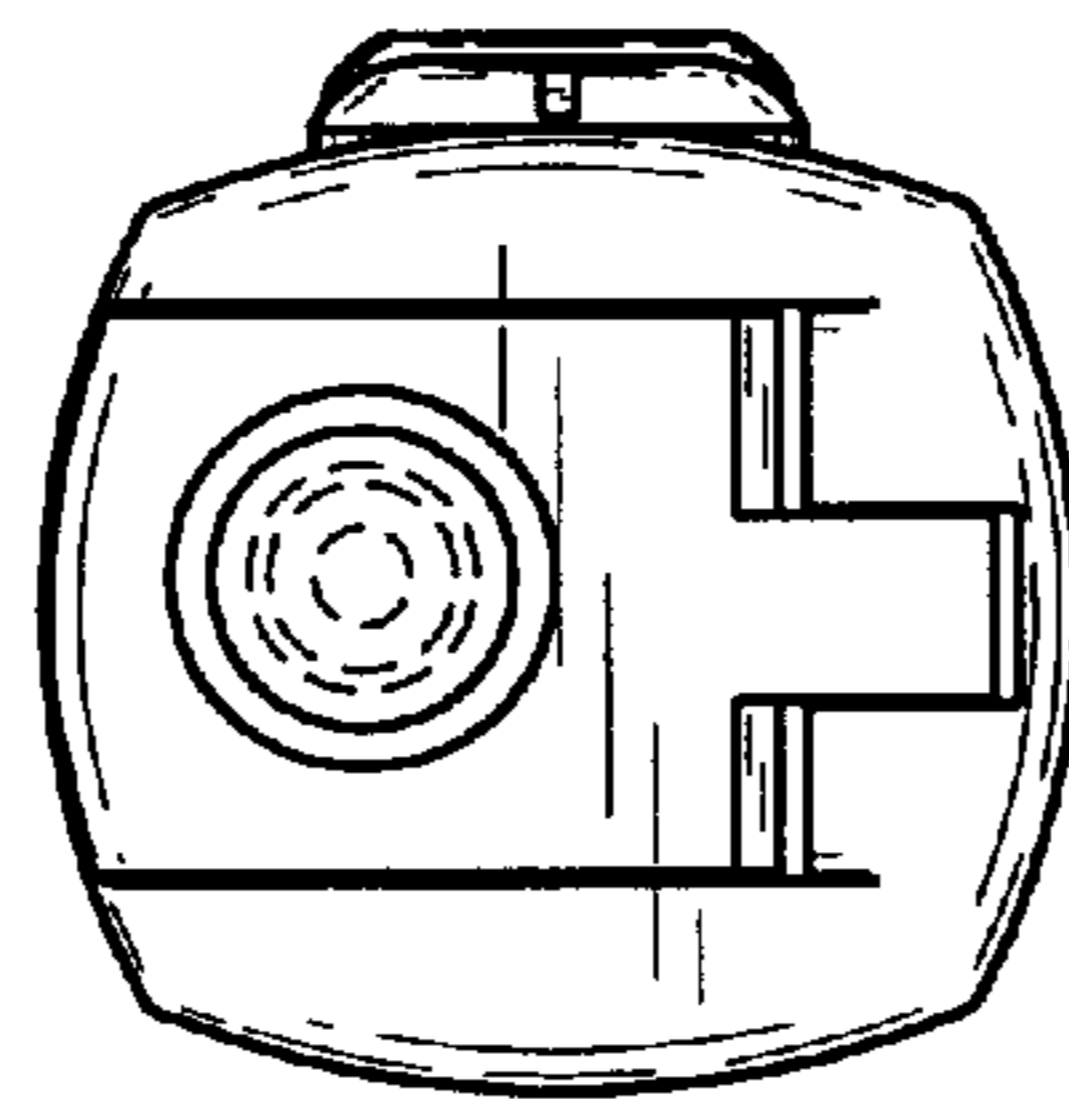


FIG. 7

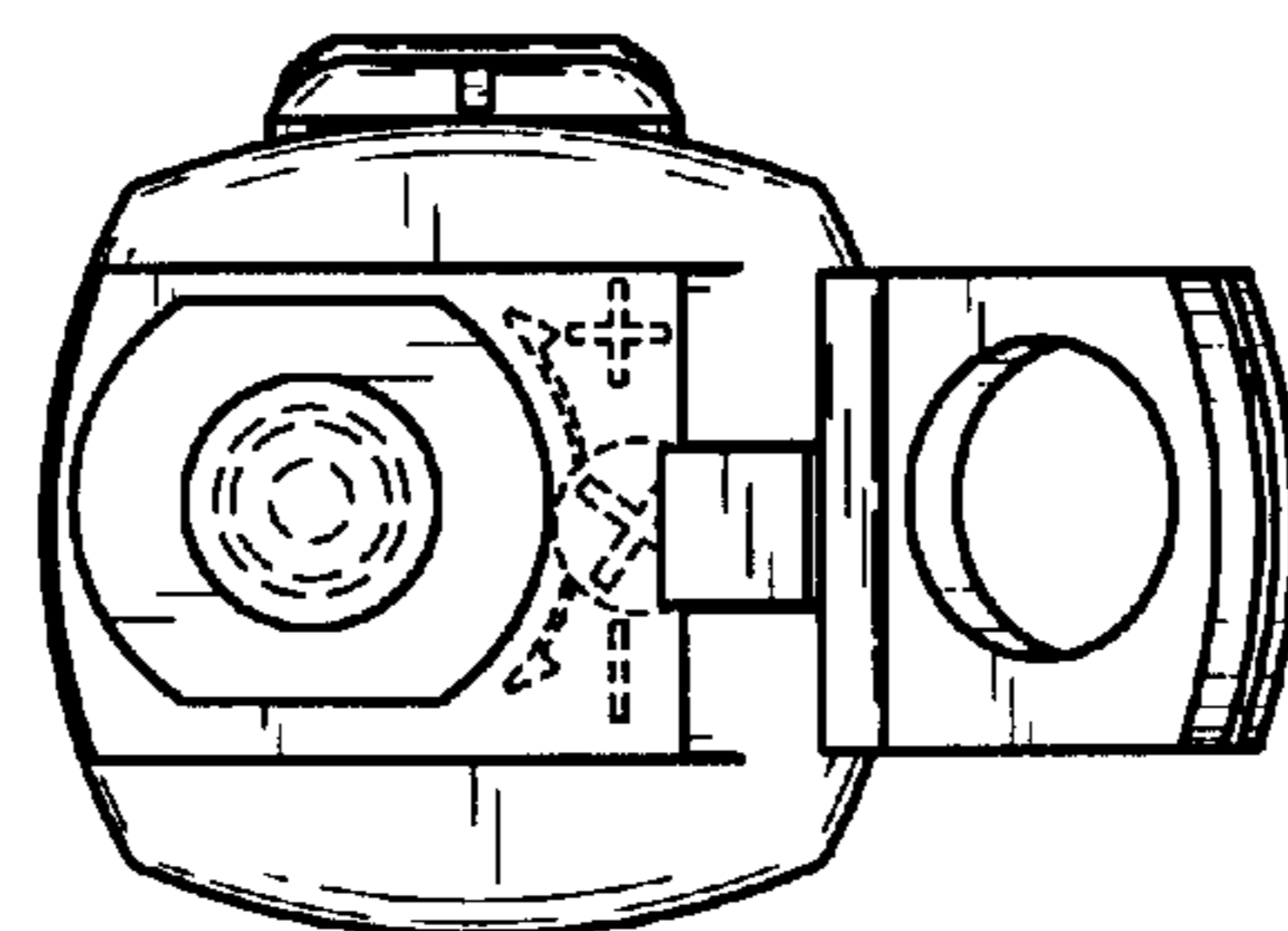


FIG. 8

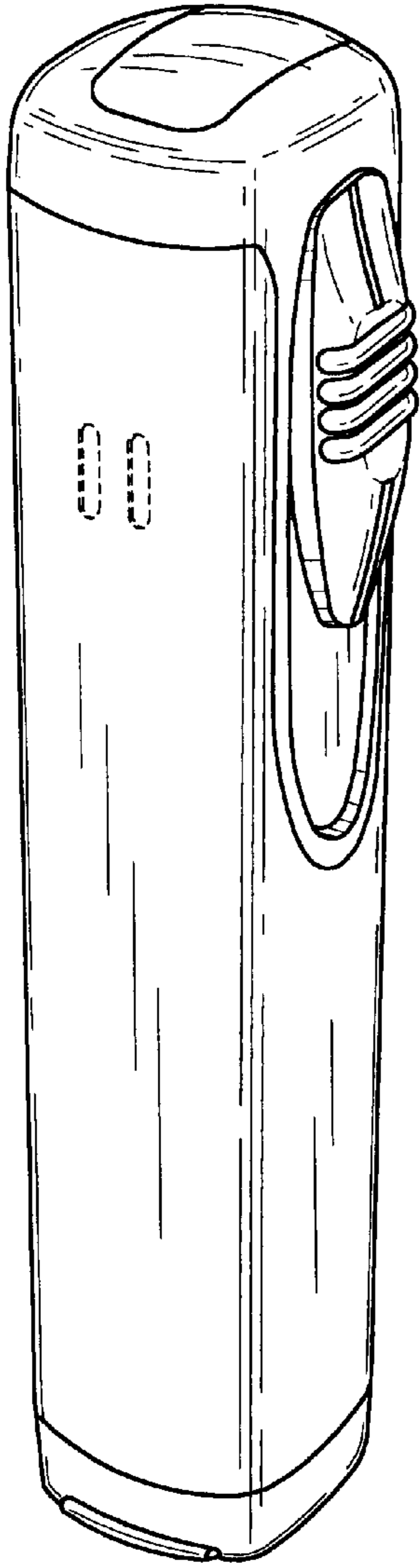


FIG. 9

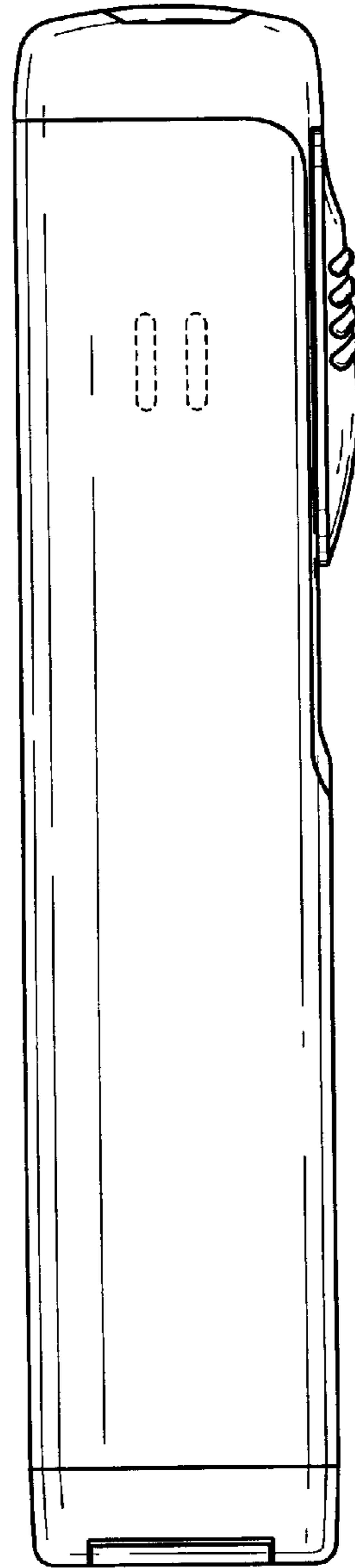


FIG. 10