

US00D529223S

(12) **United States Design Patent**  
**Beigel et al.**

(10) **Patent No.:** **US D529,223 S**

(45) **Date of Patent:** **\*\* Sep. 26, 2006**

(54) **HEADLIGHT BEZEL OF A TRUCK VEHICLE**

D445,361 S 7/2001 Tirey et al.  
D465,749 S 11/2002 Beigel

(75) Inventors: **David J. Beigel**, Payne, OH (US);  
**Travis E. Dennison**, Fort Wayne, IN  
(US)

\* cited by examiner

*Primary Examiner*—Marcus A. Jackson

(73) Assignee: **International Truck and Engine Corporation Canada**, Warrenville, IL  
(US)

(74) *Attorney, Agent, or Firm*—Jeffrey P. Calfa; Gerald W. Askew; Dennis K. Sullivan

(\*\*) Term: **14 Years**

(57) **CLAIM**

The ornamental design for a headlight bezel of a truck vehicle, as shown and described.

(21) Appl. No.: **29/232,763**

**DESCRIPTION**

(22) Filed: **Jun. 22, 2005**

(51) **LOC (8) Cl.** ..... **26-05**

(52) **U.S. Cl.** ..... **D26/139**

(58) **Field of Classification Search** ..... D26/28–36,  
D26/139; 362/459–468, 475–478, 485–487

See application file for complete search history.

FIG. 1 is a left, front perspective view of a left side embodiment of a headlight bezel of a truck vehicle showing our new design;

FIG. 2 is a right, front perspective view of a right side embodiment of a headlight bezel of a truck vehicle showing our new design;

FIG. 3 is a top down view of a right side embodiment of a headlight bezel of a truck vehicle showing our new design; and,

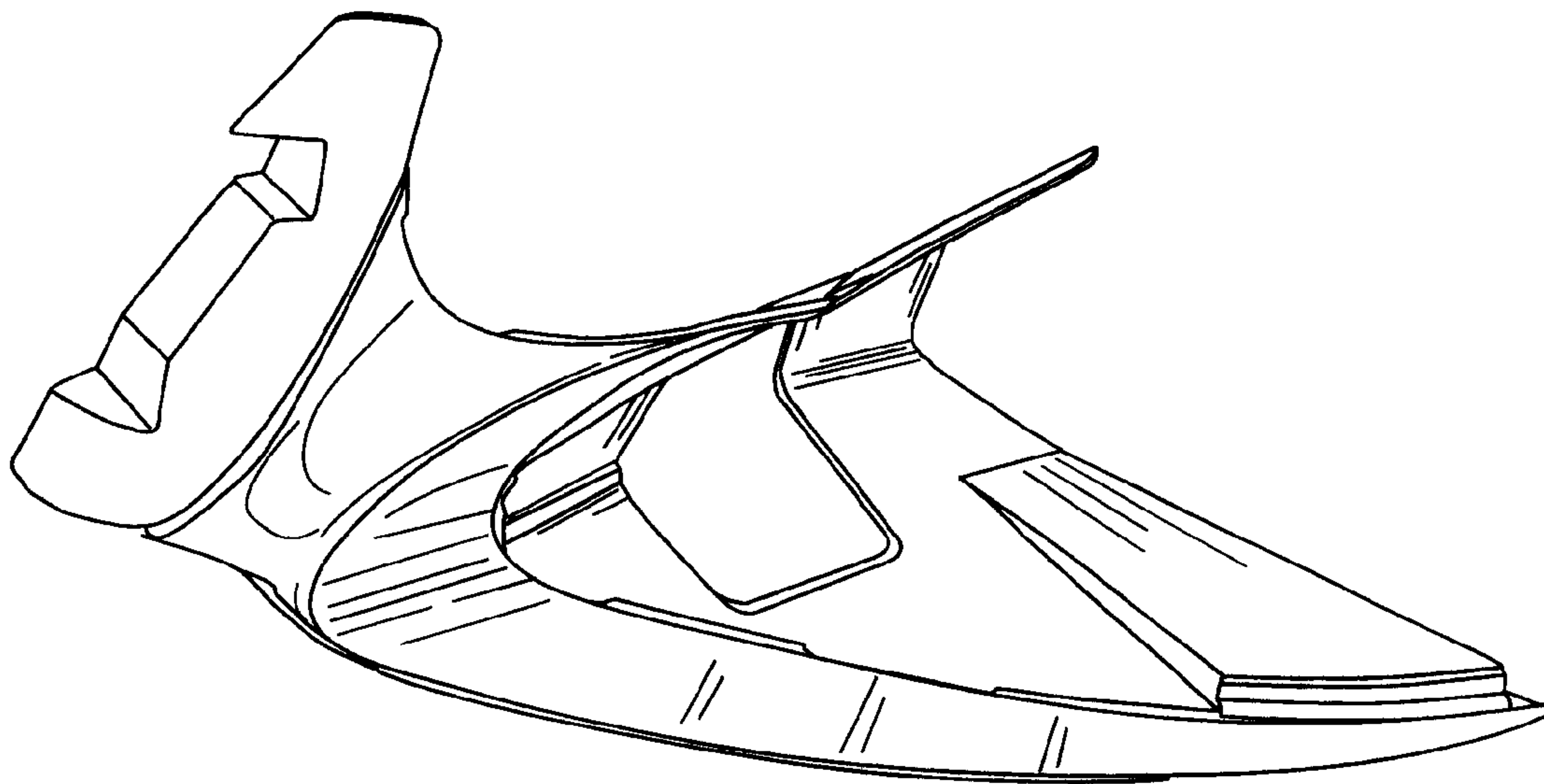
FIG. 4 is a front view of a right side embodiment of a headlight bezel of a truck vehicle showing our new design.

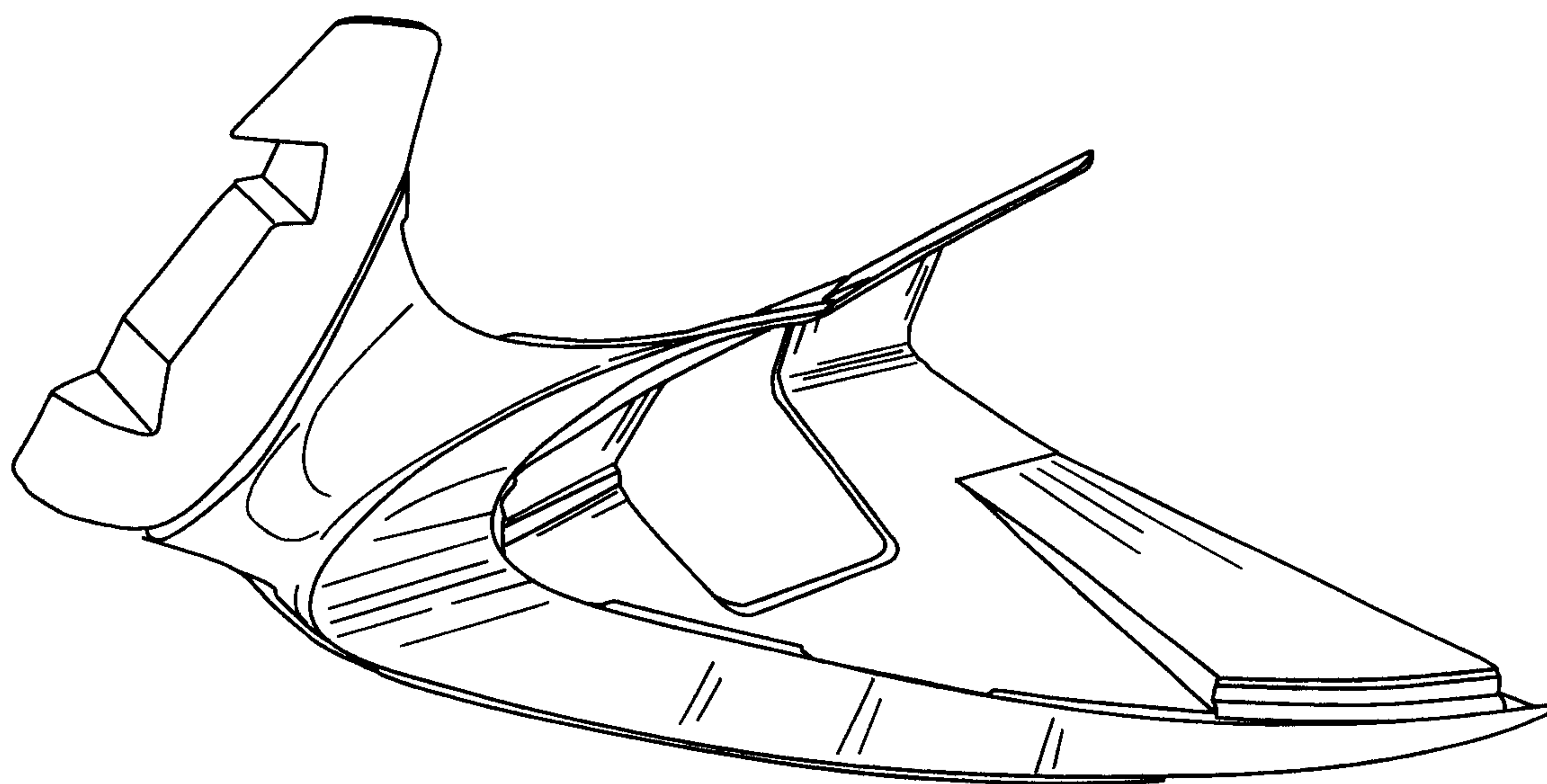
(56) **References Cited**

U.S. PATENT DOCUMENTS

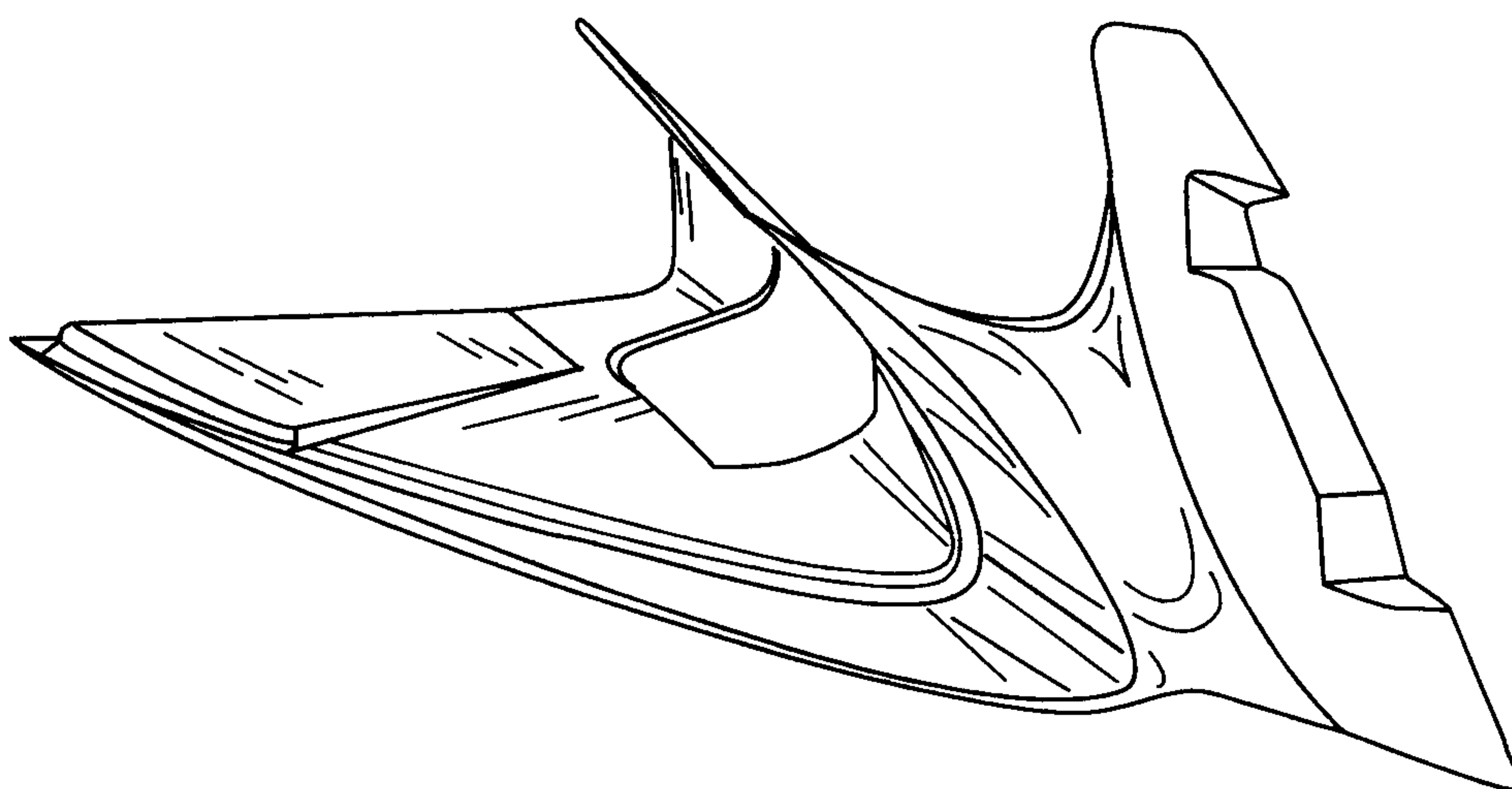
D316,461 S \* 4/1991 McGlothlin ..... D26/139  
D437,574 S 2/2001 Beigel  
D440,694 S \* 4/2001 Jeffries ..... D26/139

**1 Claim, 2 Drawing Sheets**

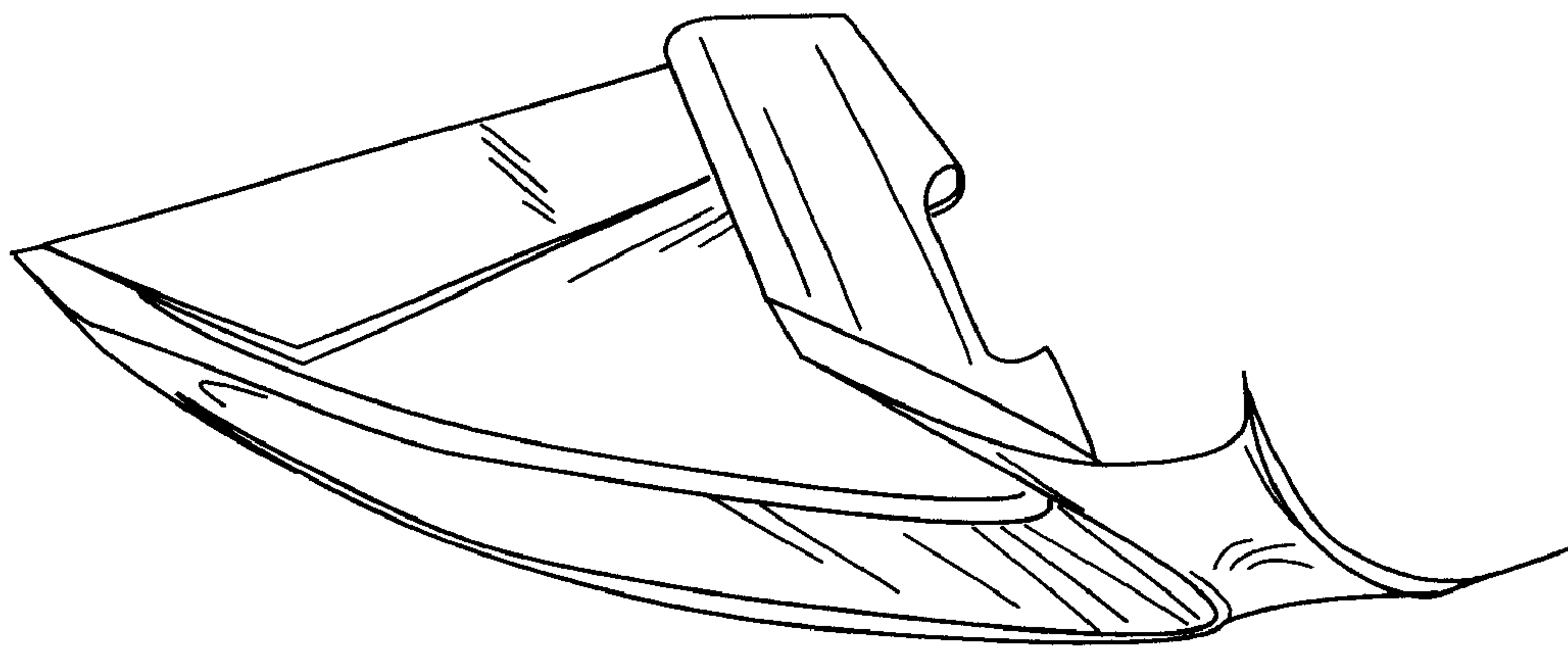




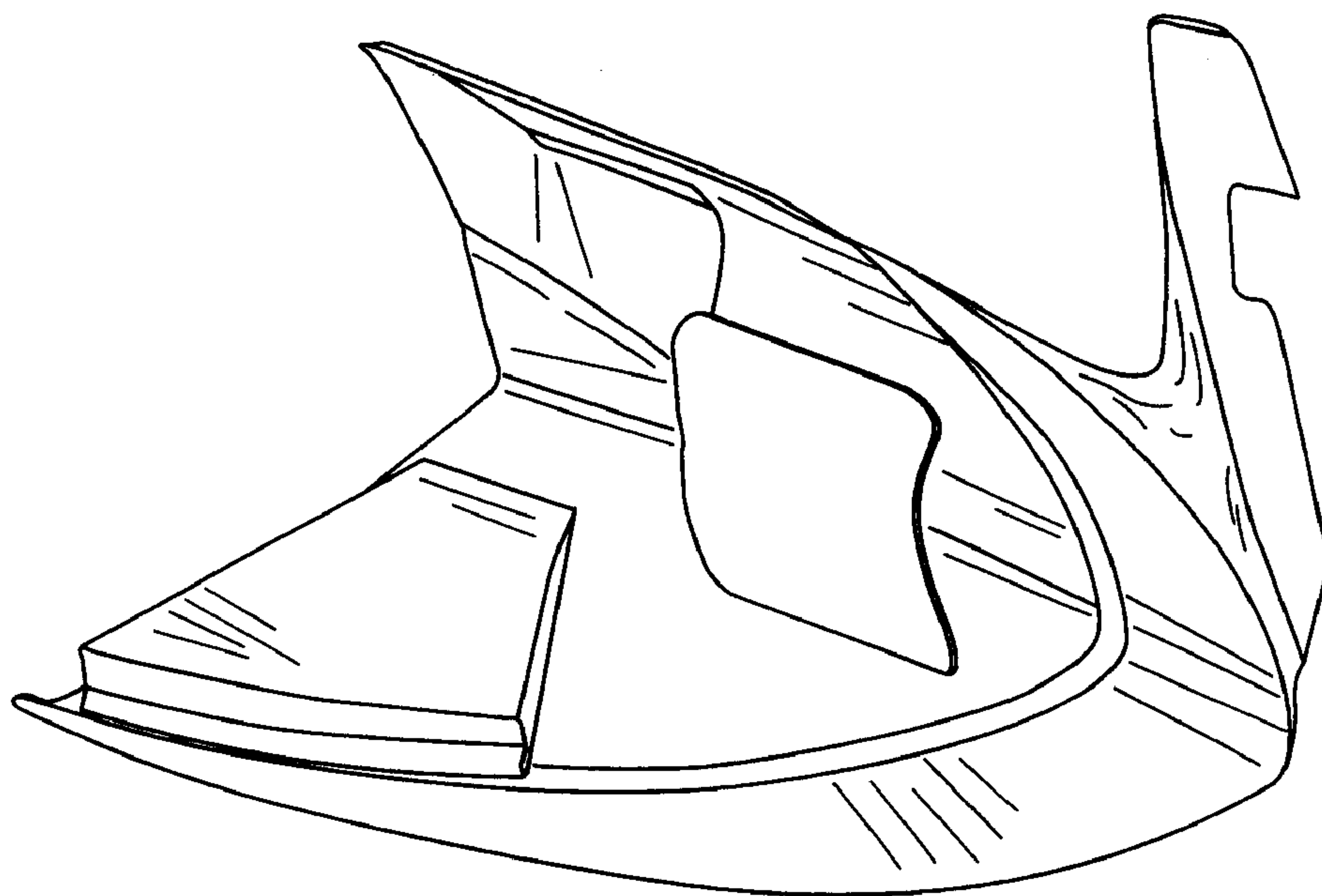
**FIG. 1**



**FIG. 2**



**FIG. 3**



**FIG. 4**