



US00D529221S

(12) **United States Design Patent**
Chow

(10) **Patent No.:** **US D529,221 S**

(45) **Date of Patent:** **** Sep. 26, 2006**

(54) **DESK LAMP**

D344,145 S * 2/1994 Spiggle et al. D26/9

(75) Inventor: **Wing Kei Chow**, Hong Kong (CN)

* cited by examiner

(73) Assignee: **Kwinnie Industries Limited** (HK)

Primary Examiner—Alan P. Douglas

Assistant Examiner—Linda Brooks

(**) Term: **14 Years**

(57) **CLAIM**

(21) Appl. No.: **29/232,397**

The ornamental design for a desk lamp, as shown.

(22) Filed: **Jun. 20, 2005**

DESCRIPTION

(51) **LOC (8) Cl.** **26-03**

FIG. 1 is a front elevational view of a desk lamp showing my new design;

(52) **U.S. Cl.** **D26/104**

(58) **Field of Classification Search** D26/61,
D26/93-112, 1-3, 9-11; 362/410-414, 572,
362/800, 804; D24/209, 210; 606/1-3, 9,
606/10, 17

FIG. 2 is a rear elevational view thereof;

FIG. 3 is a right side view thereof;

FIG. 4 is a left side view thereof;

FIG. 5 is a top plan view thereof;

FIG. 6 is a bottom plan view thereof; and,

FIG. 7 is a perspective view thereof.

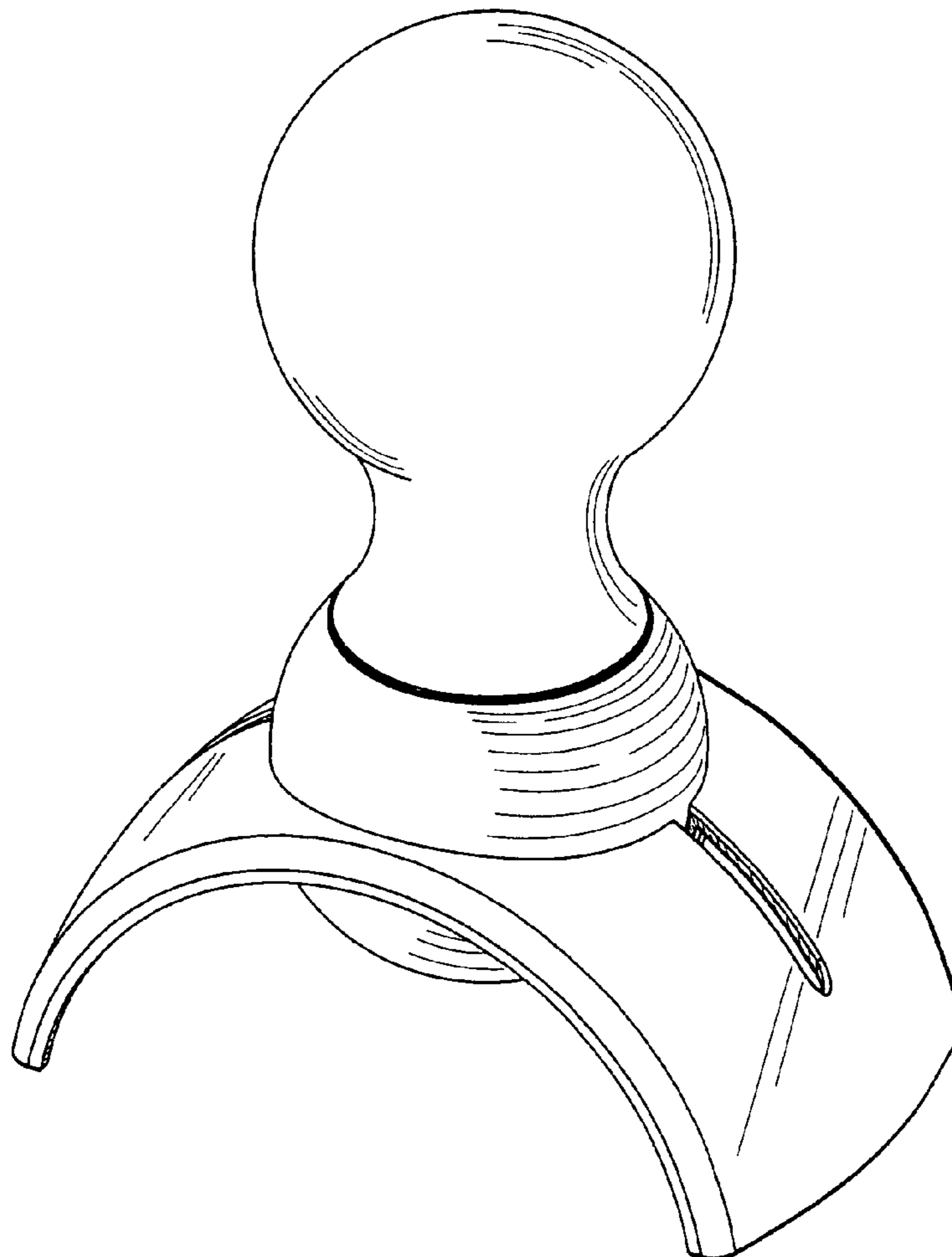
See application file for complete search history.

(56) **References Cited**

U.S. PATENT DOCUMENTS

4,278,910 A * 7/1981 Keefe et al. 313/572

1 Claim, 4 Drawing Sheets



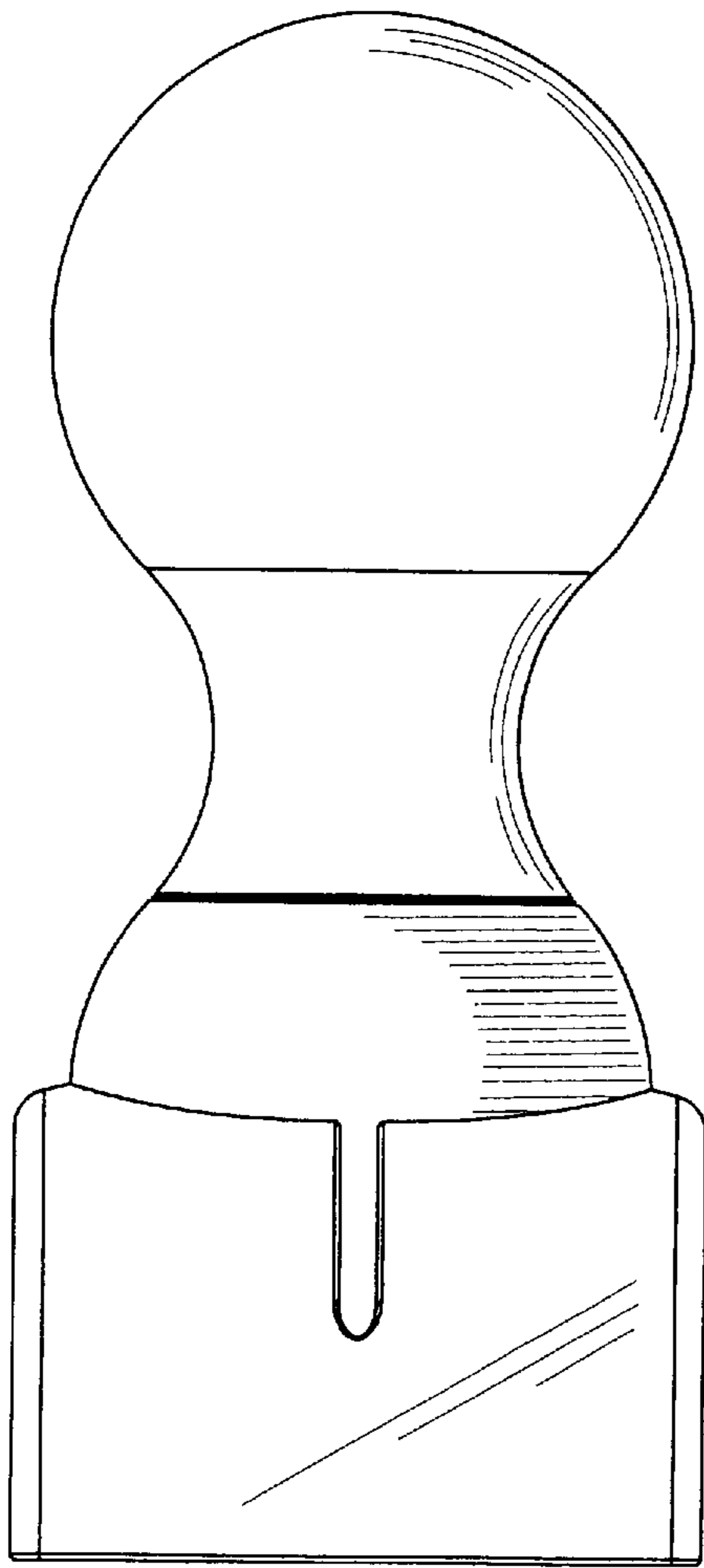


FIG. 1

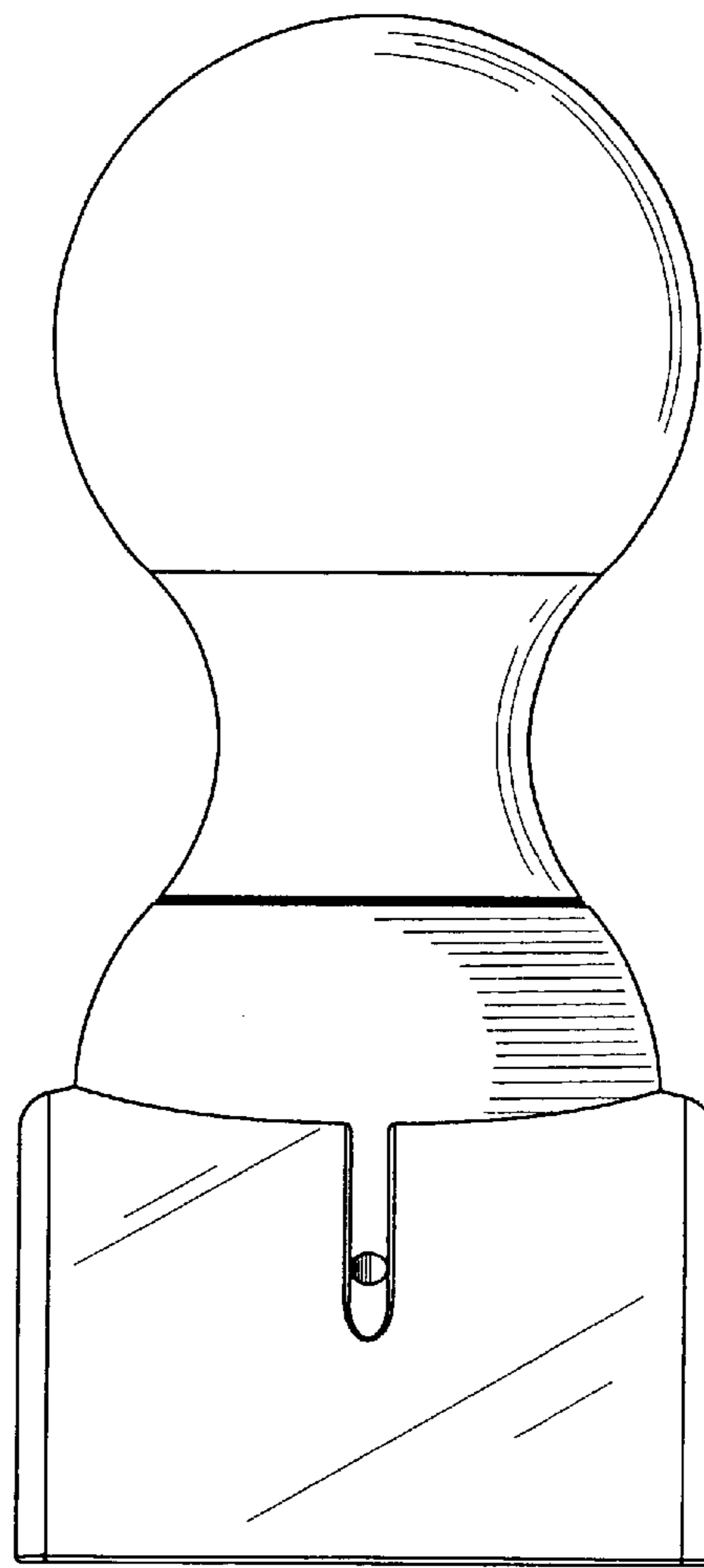


FIG. 2

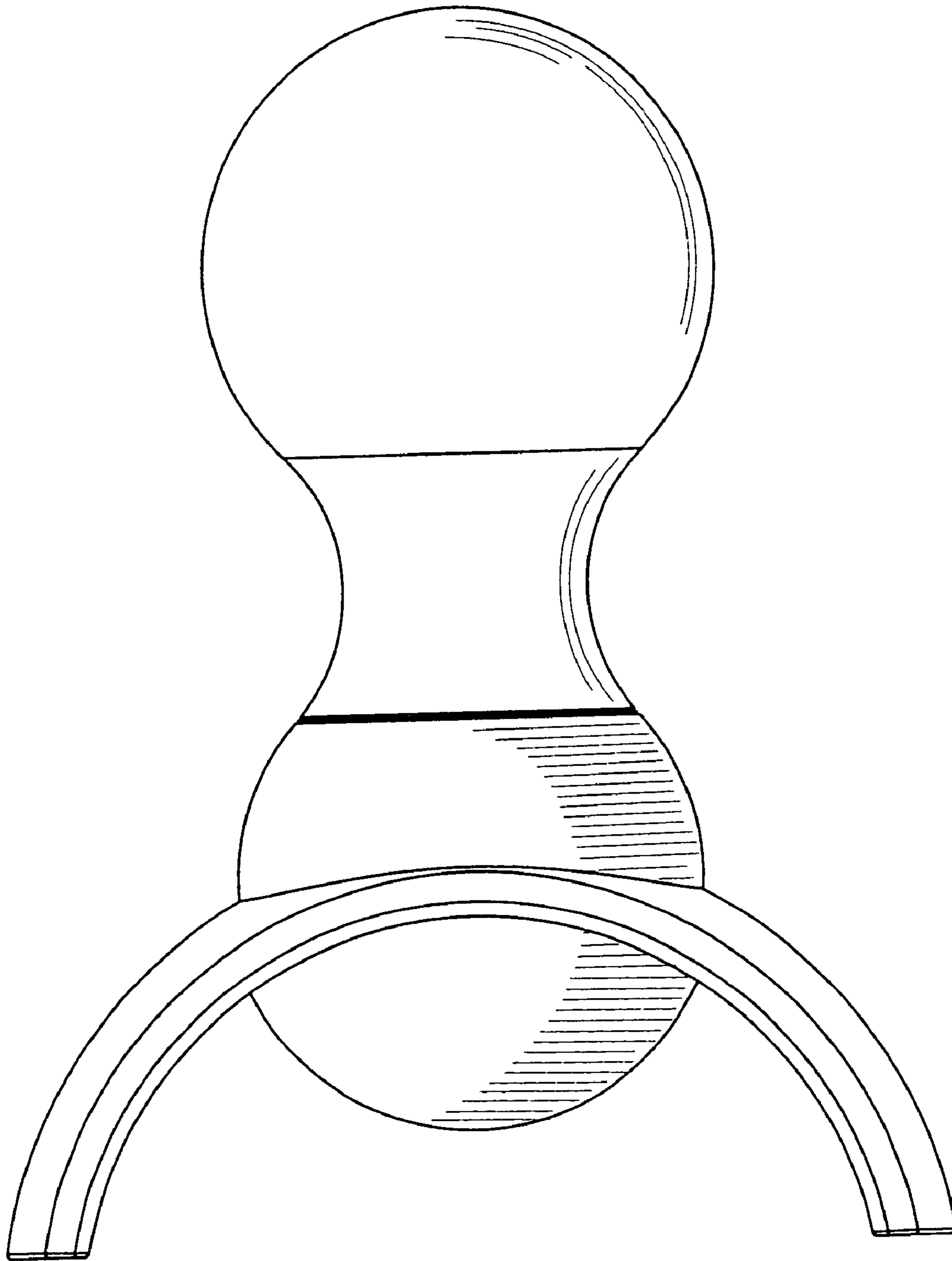


FIG. 3

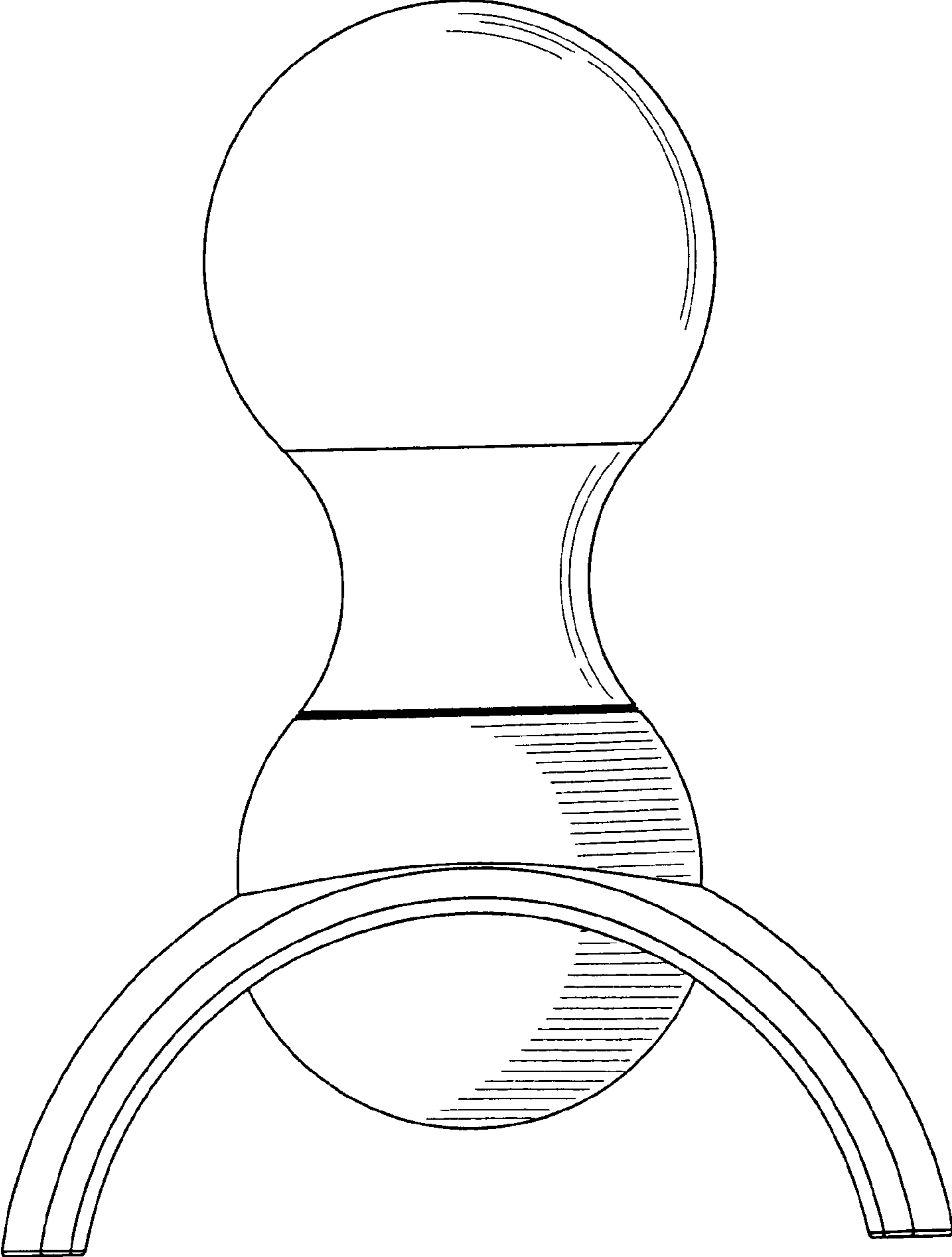


FIG. 4

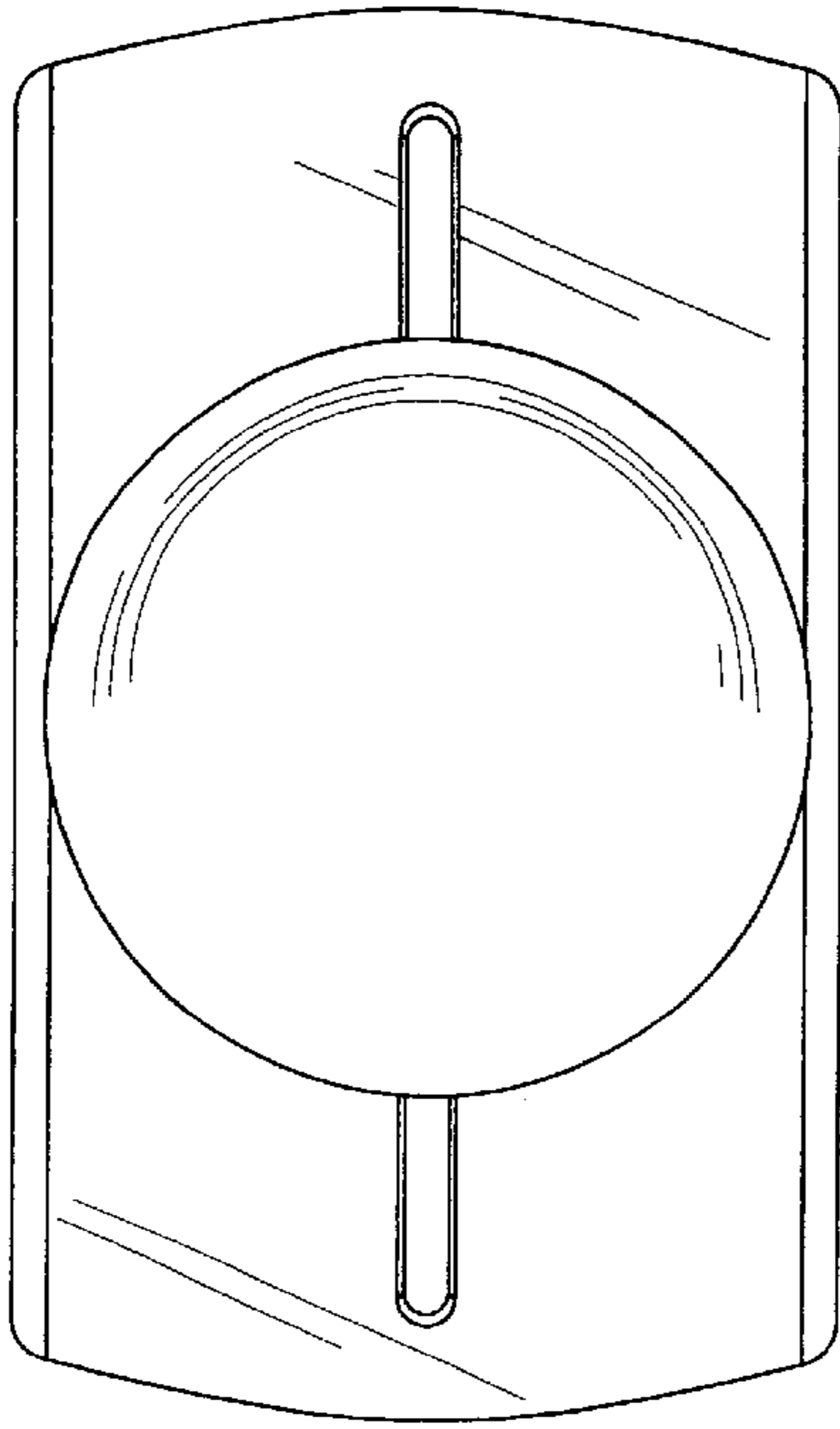


FIG. 5

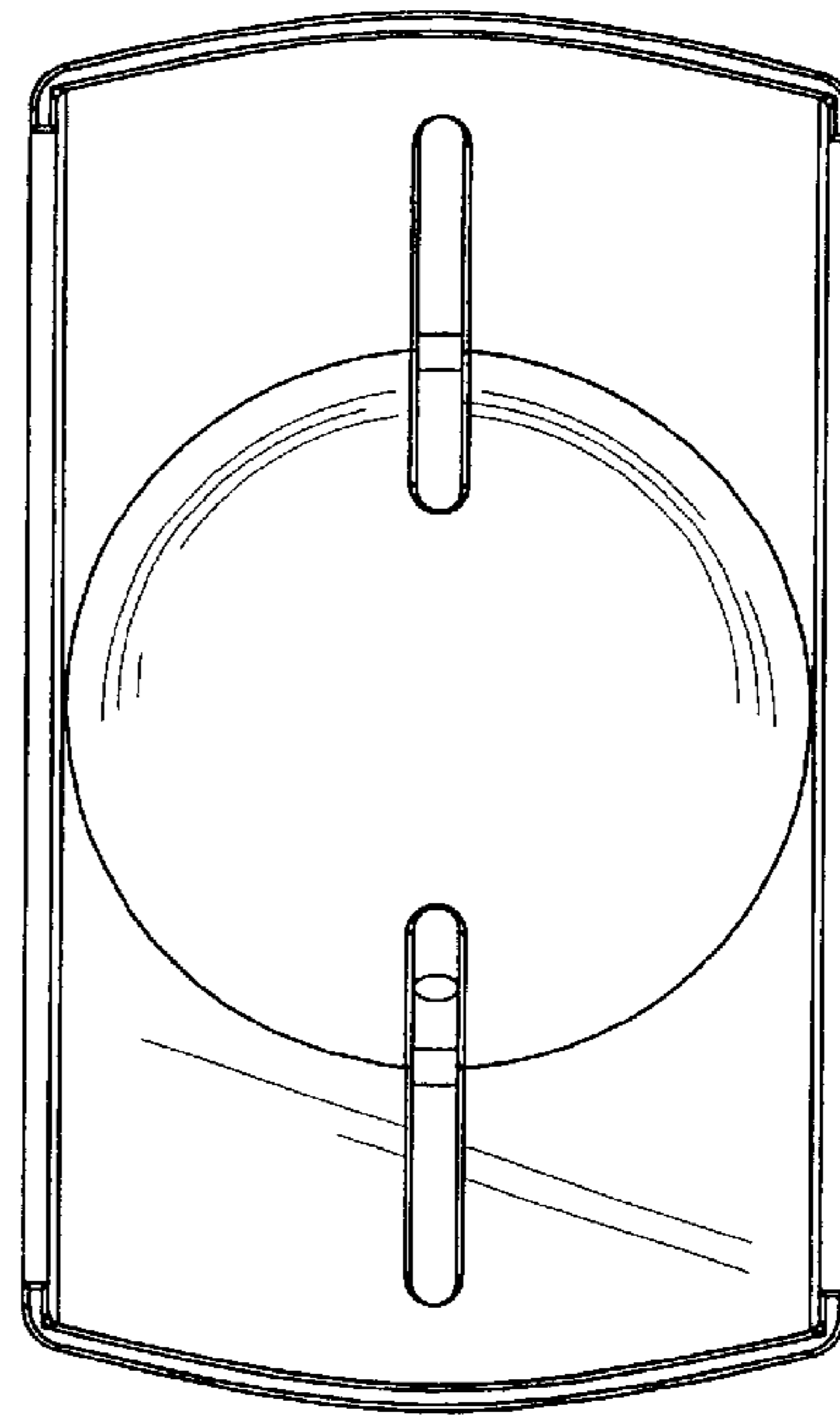


FIG. 6

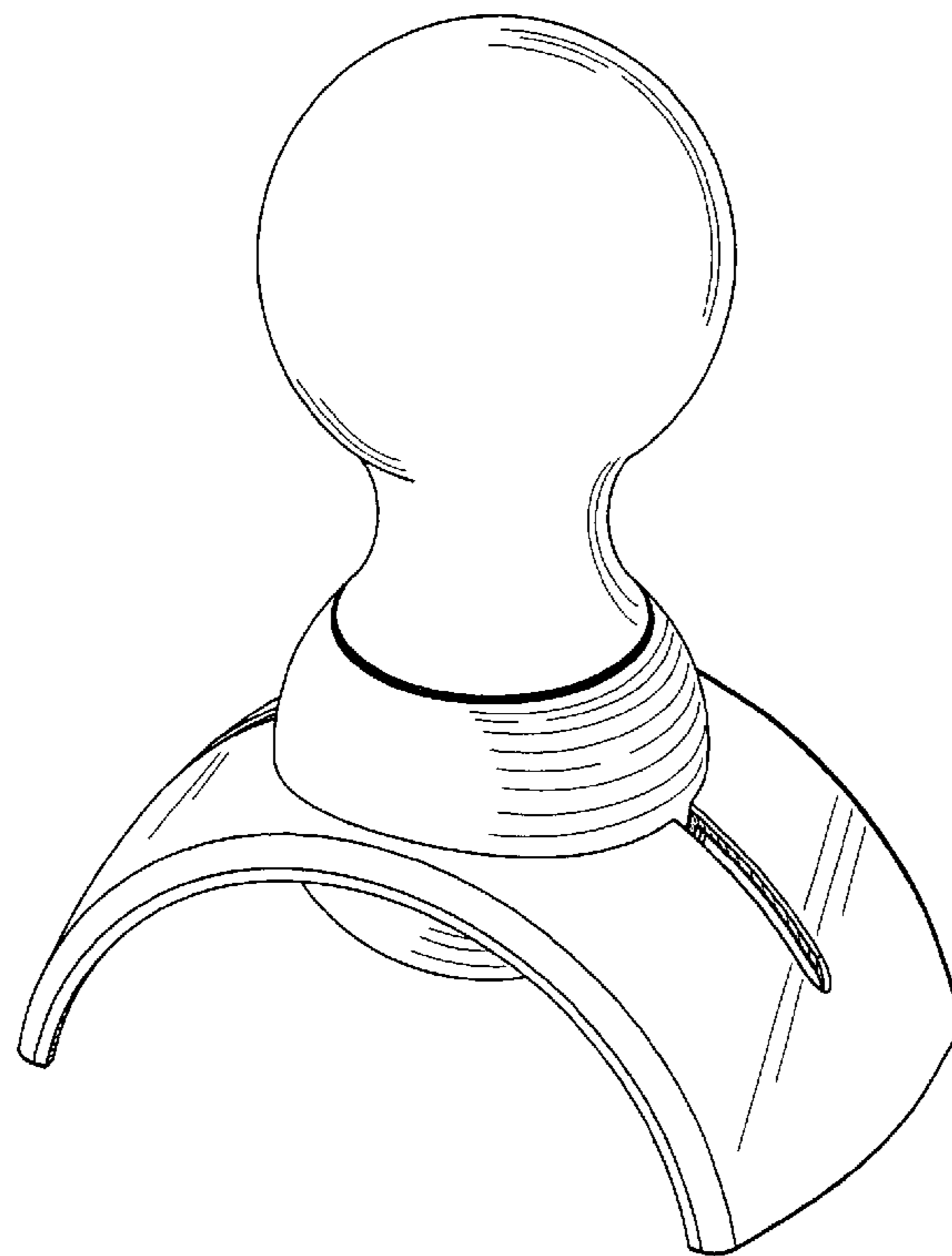


FIG. 7