



US00D529217S

(12) **United States Design Patent**
Wood

(10) **Patent No.:** **US D529,217 S**

(45) **Date of Patent:** **** Sep. 26, 2006**

(54) **SOLAR ADDRESS LIGHT**

(75) Inventor: **Brian Wood**, McKinney, TX (US)

(73) Assignee: **The Brinkman Corporation**, Dallas, TX (US)

(**) Term: **14 Years**

(21) Appl. No.: **29/239,626**

(22) Filed: **Sep. 30, 2005**

(51) **LOC (8) Cl.** **26-05**

(52) **U.S. Cl.** **D26/67**

(58) **Field of Classification Search** D26/67-71;
362/152, 183, 431, 410-415

See application file for complete search history.

(56) **References Cited**

U.S. PATENT DOCUMENTS

D91,222 S	*	12/1933	Tuck	D26/68
D211,749 S	*	7/1968	Smith	D26/67
D214,461 S	*	6/1969	Gardner	D26/67
D217,283 S	*	4/1970	Horton	D26/51
D225,676 S	*	12/1972	Bankert et al.	D26/24
D250,910 S	*	1/1979	Clark et al.	D26/112
6,341,441 B1		1/2002	Morales		

OTHER PUBLICATIONS

Internet printout dated Aug. 25, 2005 from www.homegardenandpatio.com—Lawn Solar Address (6 pgs.).

* cited by examiner

Primary Examiner—Clare E Heflin

(74) *Attorney, Agent, or Firm*—Sheppard Mullin, Richter & Hampton LLP

(57) **CLAIM**

I claim the ornamental design for a solar address light, as shown and described.

DESCRIPTION

FIG. 1 is a perspective view of the solar address light showing the new design;

FIG. 2 is a front elevational view thereof;

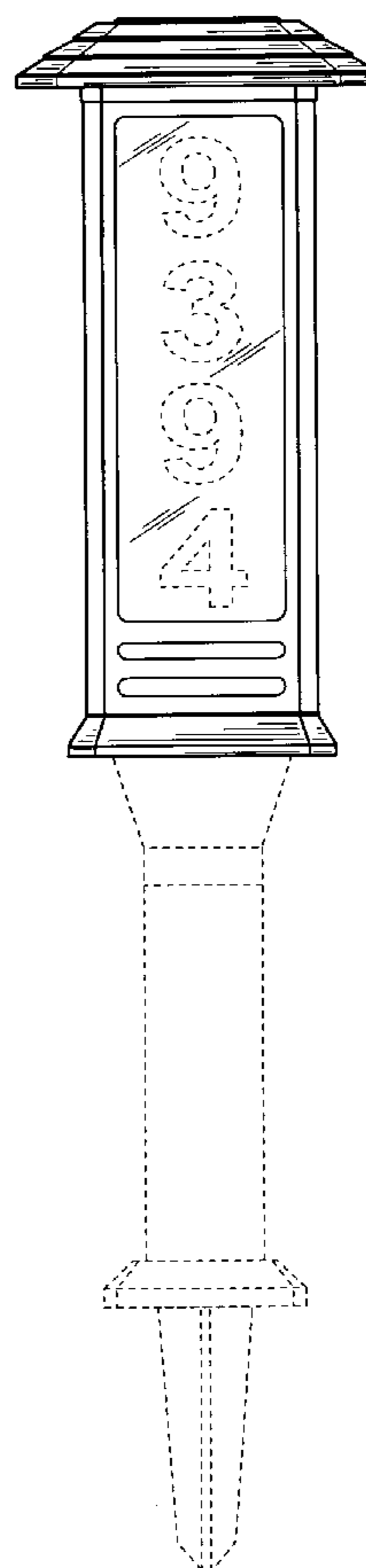
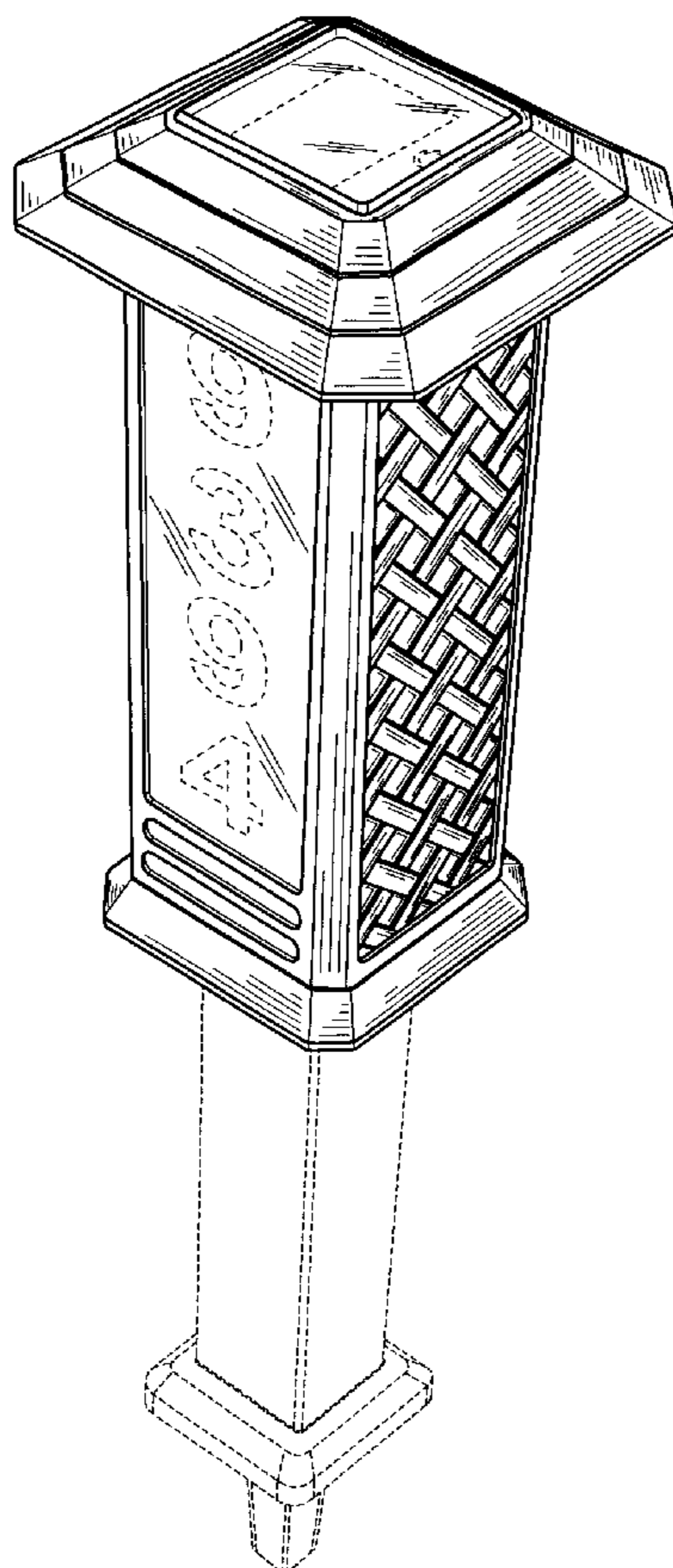
FIG. 3 is a rear elevational view thereof, the right side and left side elevational views being identical images thereof;

FIG. 4 is a top plan view thereof; and,

FIG. 5 is a bottom plan view thereof.

The dotted lines are for illustrative purposes only and form no part of the claimed design.

1 Claim, 3 Drawing Sheets



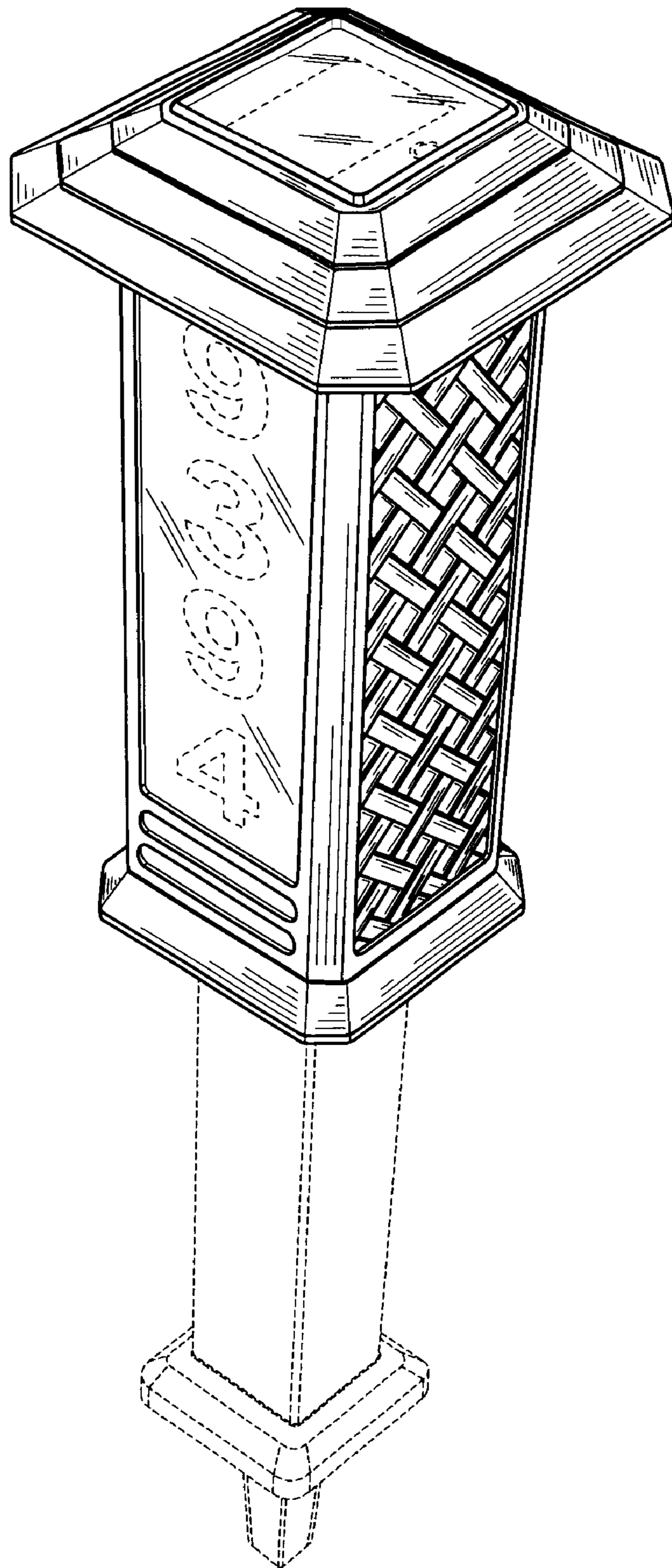


FIG. 1

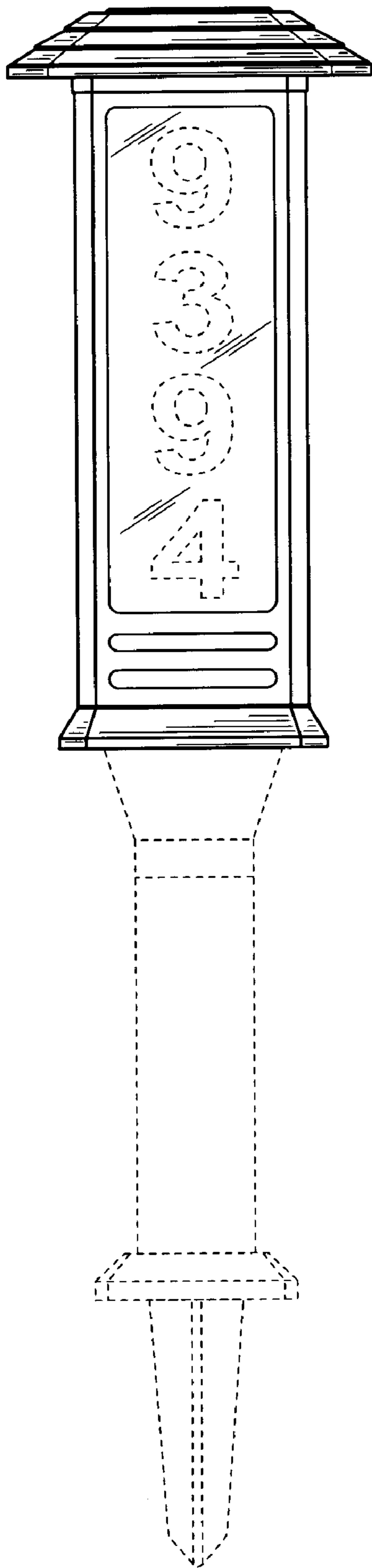


FIG. 2

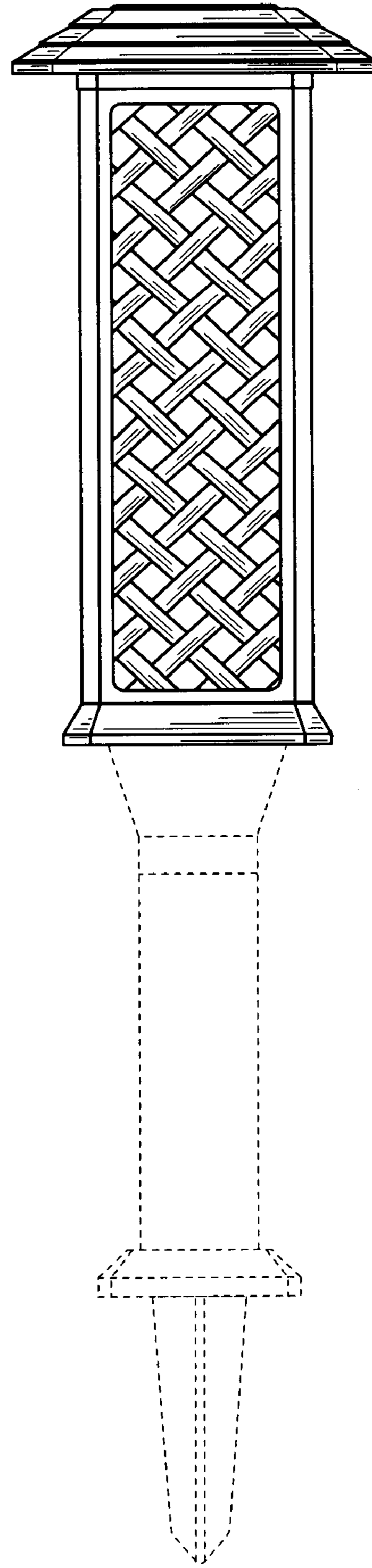


FIG. 3

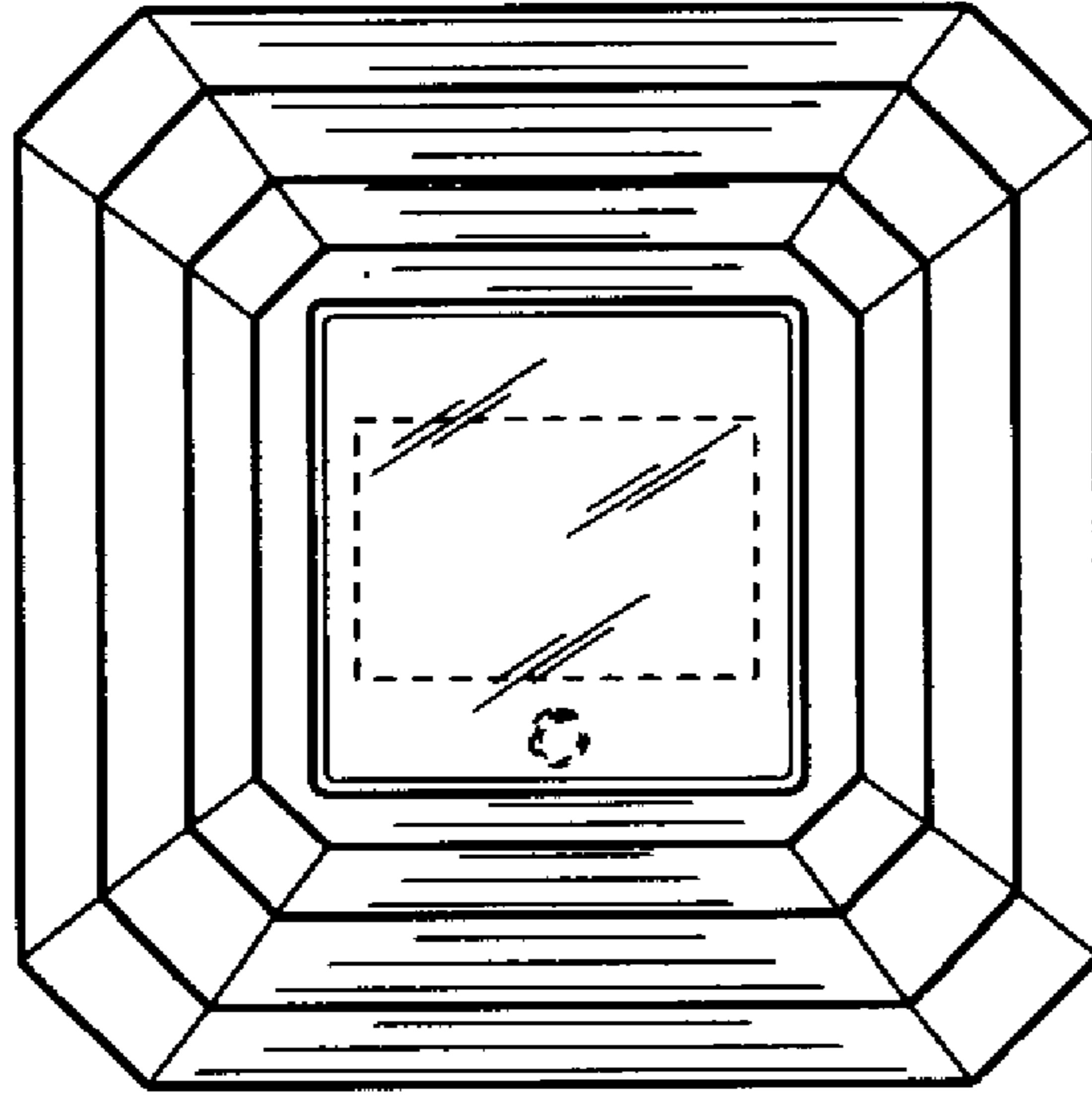


FIG. 4

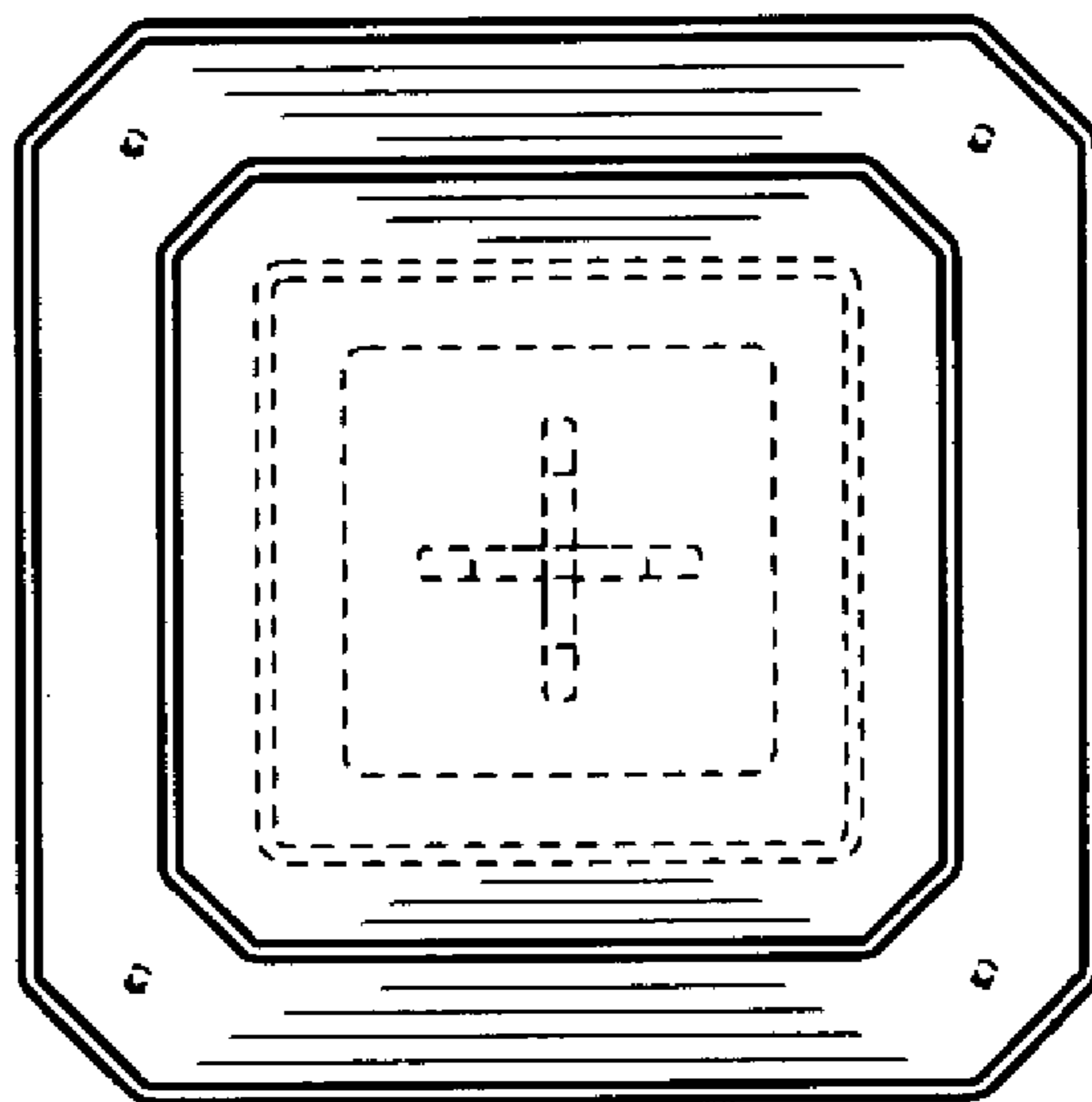


FIG. 5

UNITED STATES PATENT AND TRADEMARK OFFICE
CERTIFICATE OF CORRECTION

PATENT NO. : Des. 529,217 S
APPLICATION NO. : 29/239626
DATED : September 26, 2006
INVENTOR(S) : Brian Wood

Page 1 of 1

It is certified that error appears in the above-identified patent and that said Letters Patent is hereby corrected as shown below:

Title Page, Item (73) assignee change "The Brinkman Corporation" to -- The Brinkmann Corporation --.

Signed and Sealed this

Seventeenth Day of July, 2007

A handwritten signature in black ink on a light gray dotted background. The signature reads "Jon W. Dudas" in a cursive style.

JON W. DUDAS

Director of the United States Patent and Trademark Office