



US00D529216S

(12) **United States Design Patent**
Izardel

(10) **Patent No.:** **US D529,216 S**

(45) **Date of Patent:** **** Sep. 26, 2006**

(54) **FLOWER LIGHT DEVICE**

D323,904 S * 2/1992 Camino et al. D26/67
D324,433 S * 3/1992 Camino et al. D26/67

(75) Inventor: **Lazar Izardel**, Tel-Aviv (IL)

* cited by examiner

(73) Assignee: **GAMA Sonic USA, Inc.**, Atlanta, GA (US)

Primary Examiner—Clare E Heflin

(74) *Attorney, Agent, or Firm*—Lackenbach Siegel LLP

(**) Term: **14 Years**

(57) **CLAIM**

(21) Appl. No.: **29/215,878**

The ornamental design for a flower light device, as shown and described.

(22) Filed: **Oct. 26, 2004**

DESCRIPTION

(51) **LOC (8) Cl.** **26-05**

FIG. 1 is a perspective front view of the flower light device. FIG. 2 is a top view of the flower light device in FIG. 1. FIG. 3 is a front side view of the flower light device in FIG. 1.

(52) **U.S. Cl.** **D26/67; D26/128**

FIG. 4 is an end view of the flower light device in FIG. 1. FIG. 5 is a bottom view of the flower light device in FIG. 1; and, FIG. 6 is a back side view of the flower light device in FIG. 1.

(58) **Field of Classification Search** D26/67-71, D26/128; 362/152, 183, 431, 410-415
See application file for complete search history.

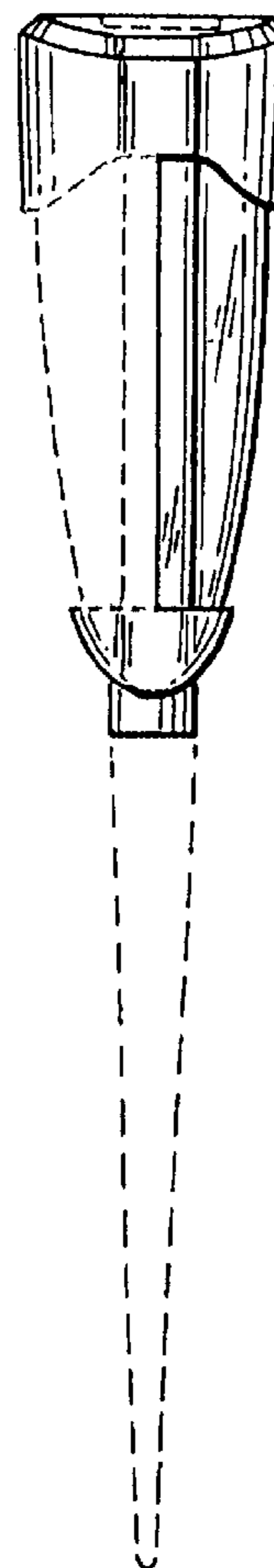
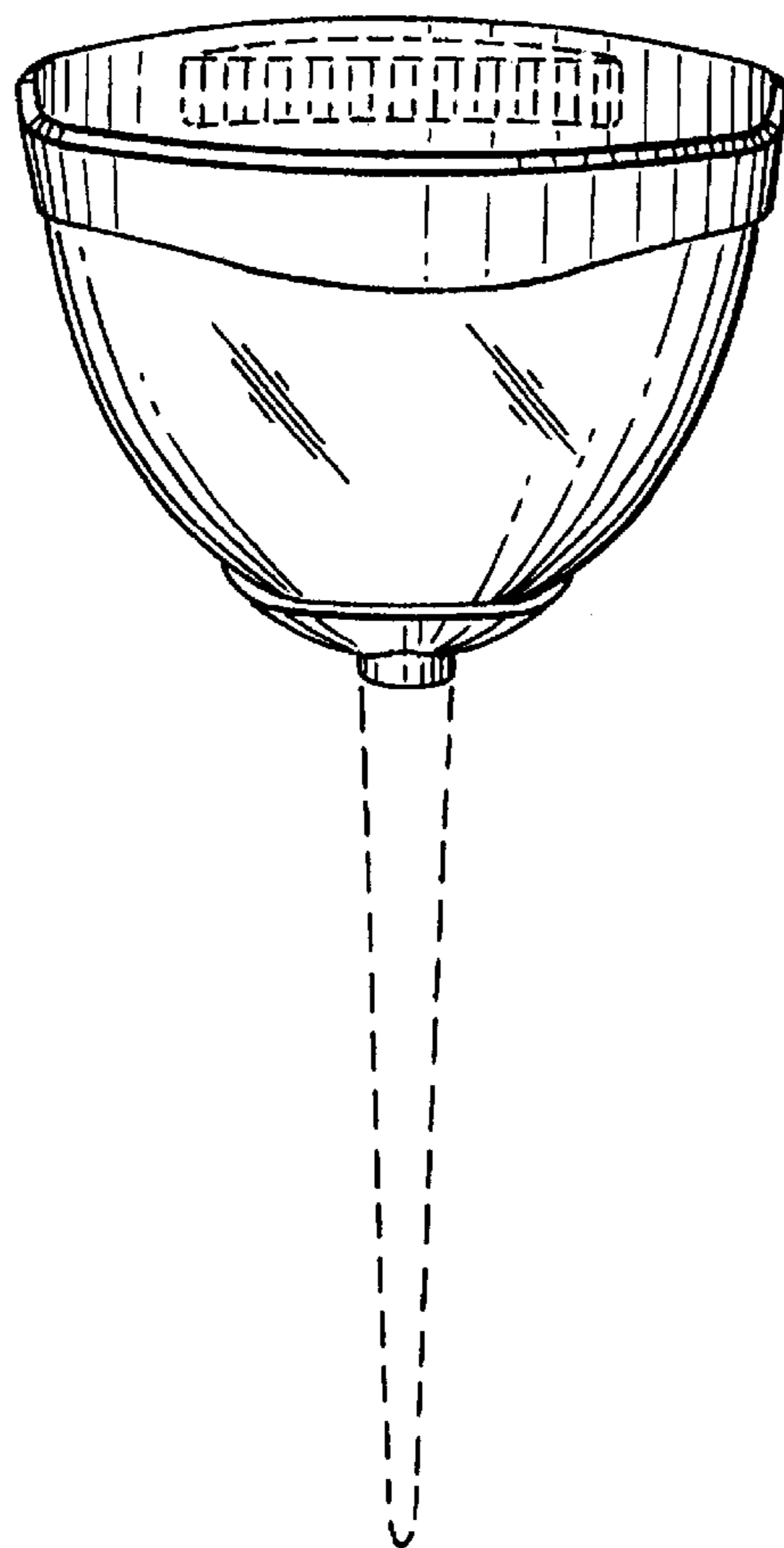
The broken lines shown on the lamp portion of the drawing define the bounds of the claimed design and form no part thereof; and the broken line showing of a mounting stake is for illustrative purposes only and forms no part thereof.

(56) **References Cited**

U.S. PATENT DOCUMENTS

- D46,952 S * 2/1915 Long D26/128
- 2,079,955 A * 5/1937 Woodward 362/257
- D197,381 S * 1/1964 Muller D26/67
- D197,909 S * 4/1964 Winters D26/24

1 Claim, 3 Drawing Sheets



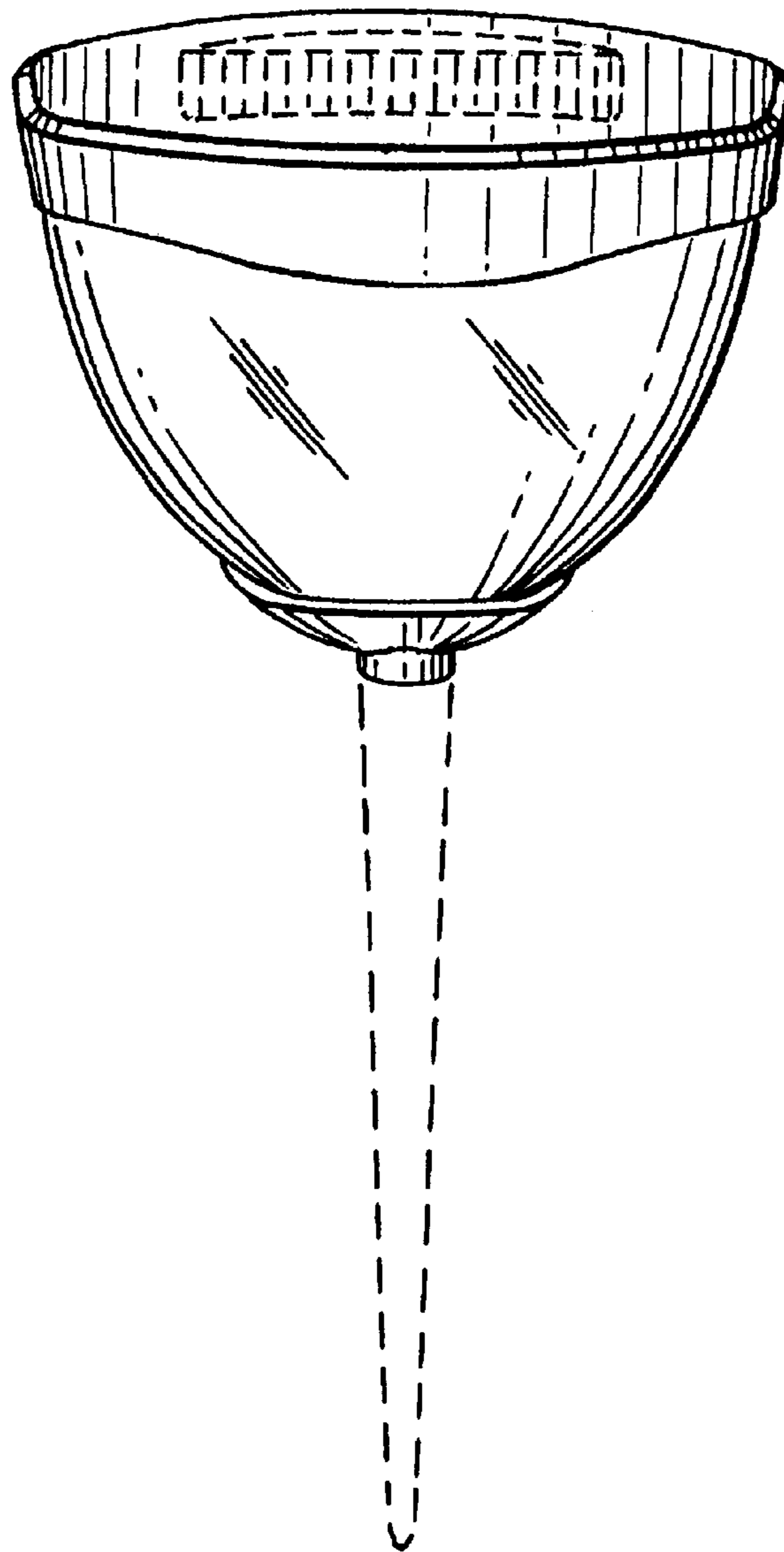


FIG. 1

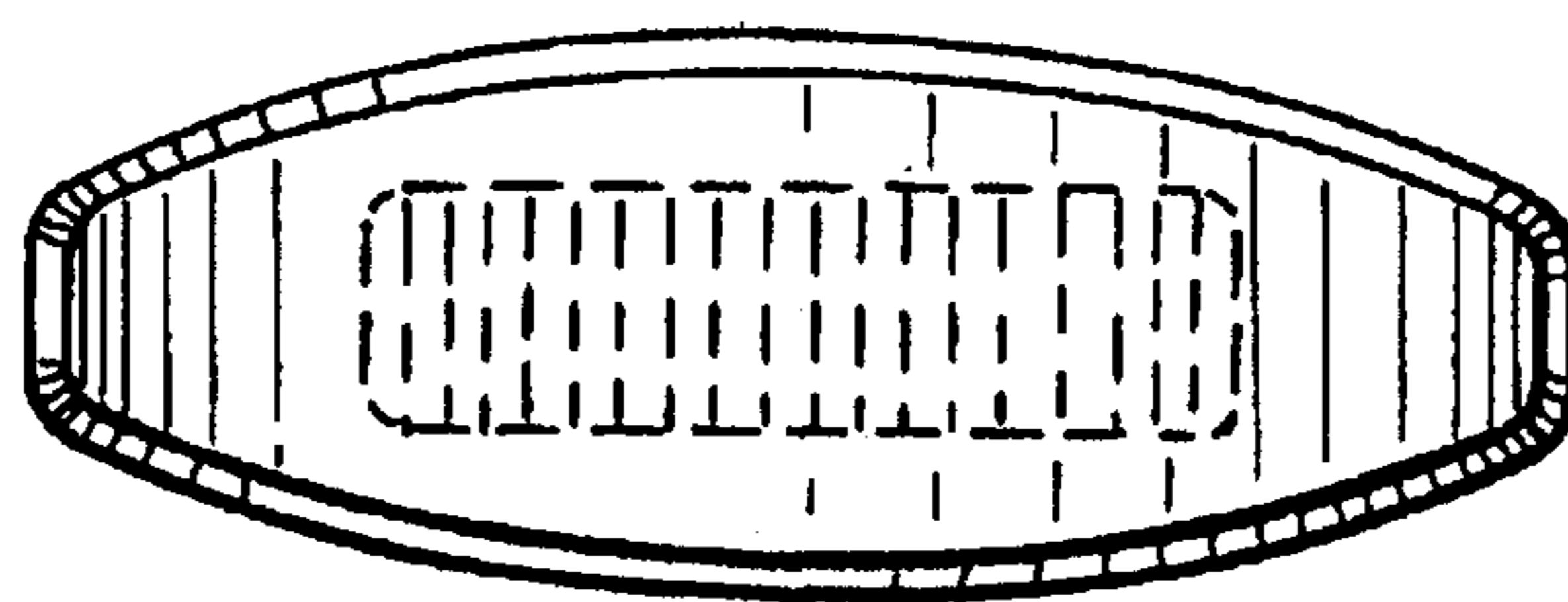


FIG. 2

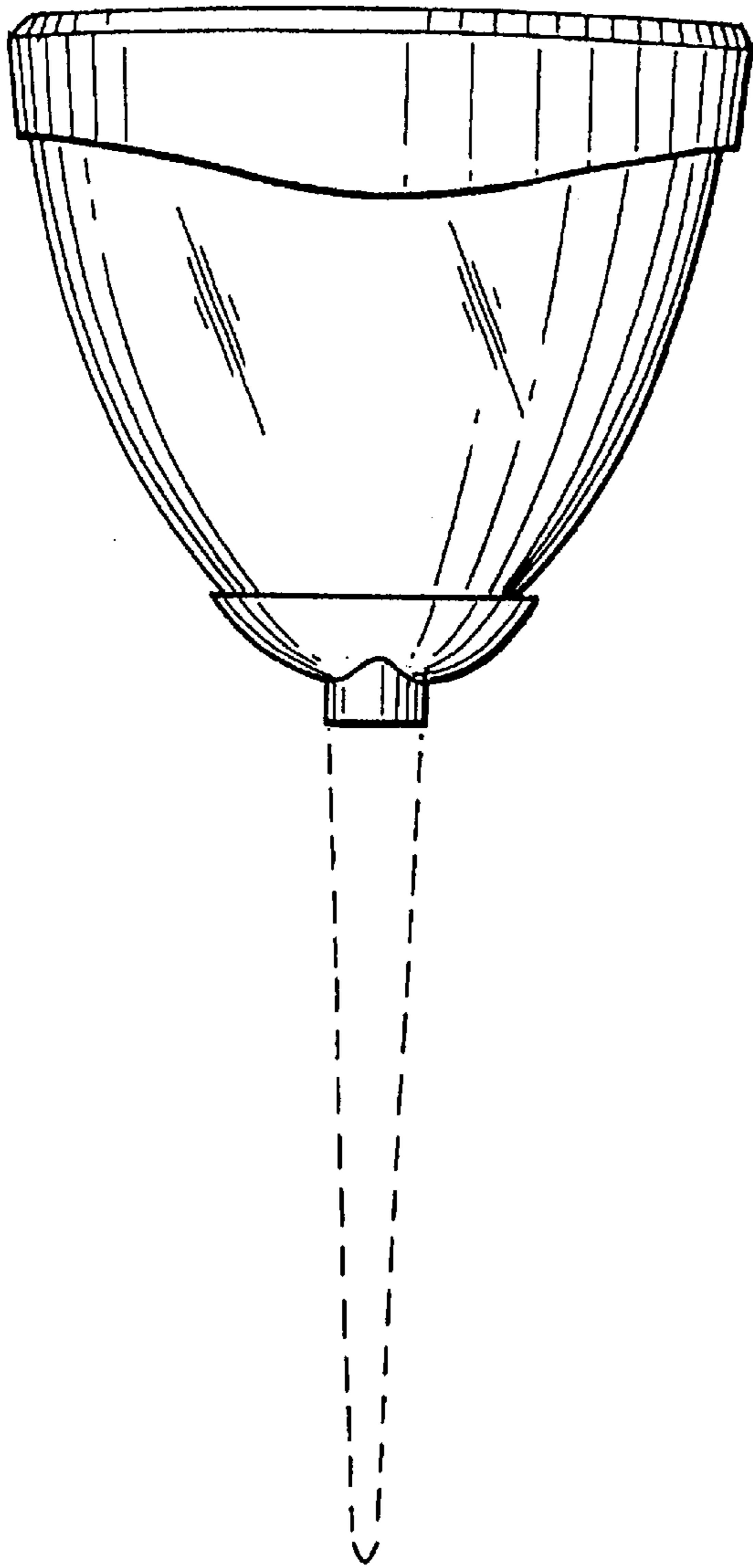


FIG. 3

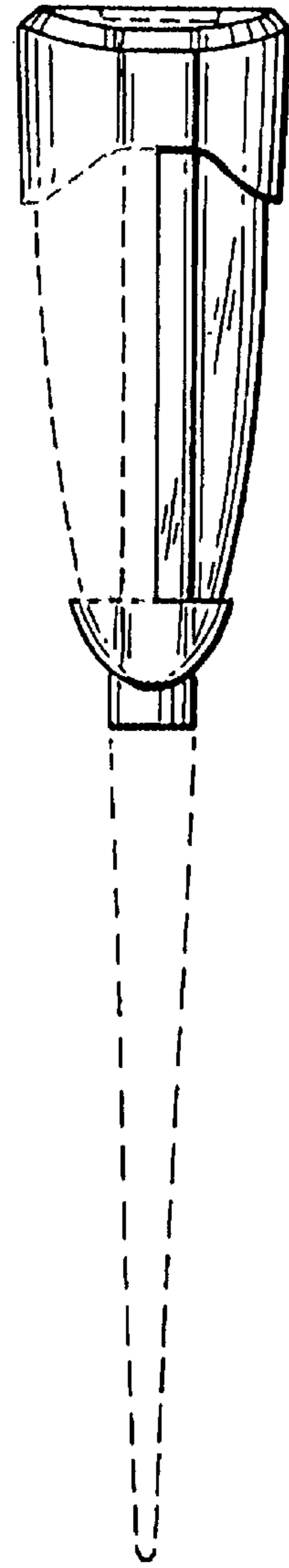


FIG. 4

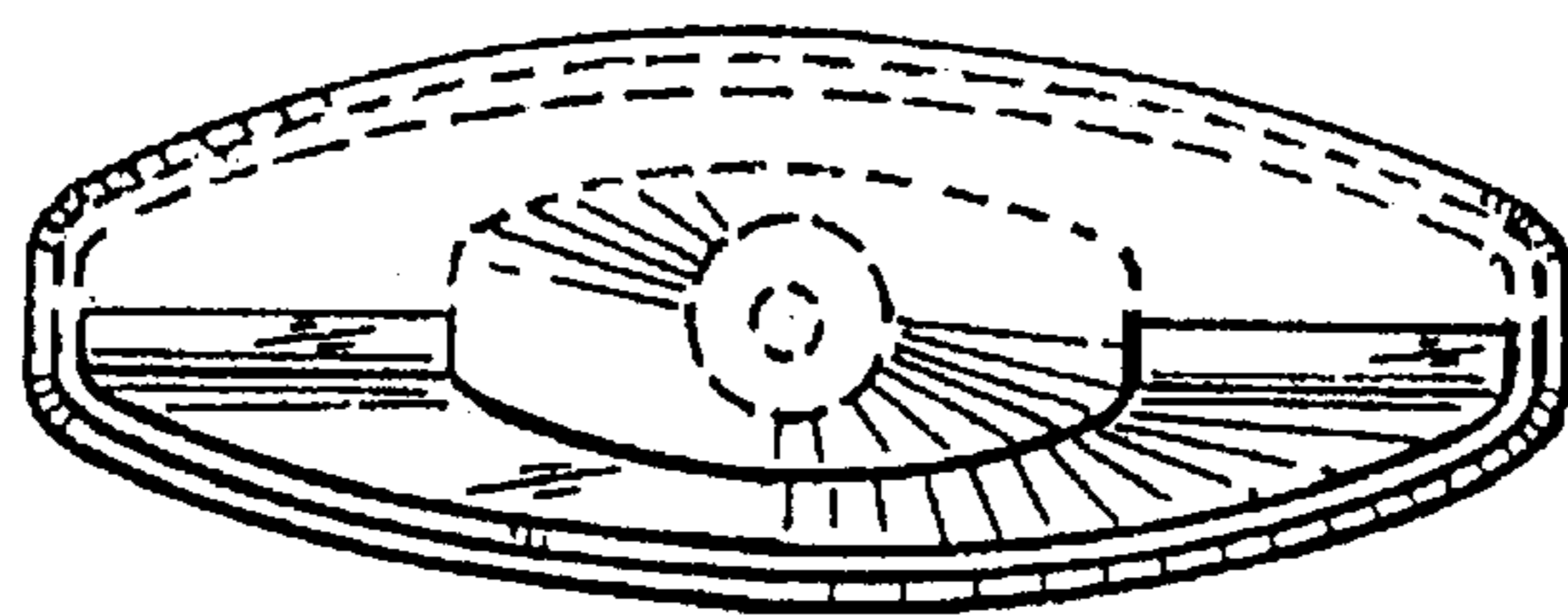


FIG. 5

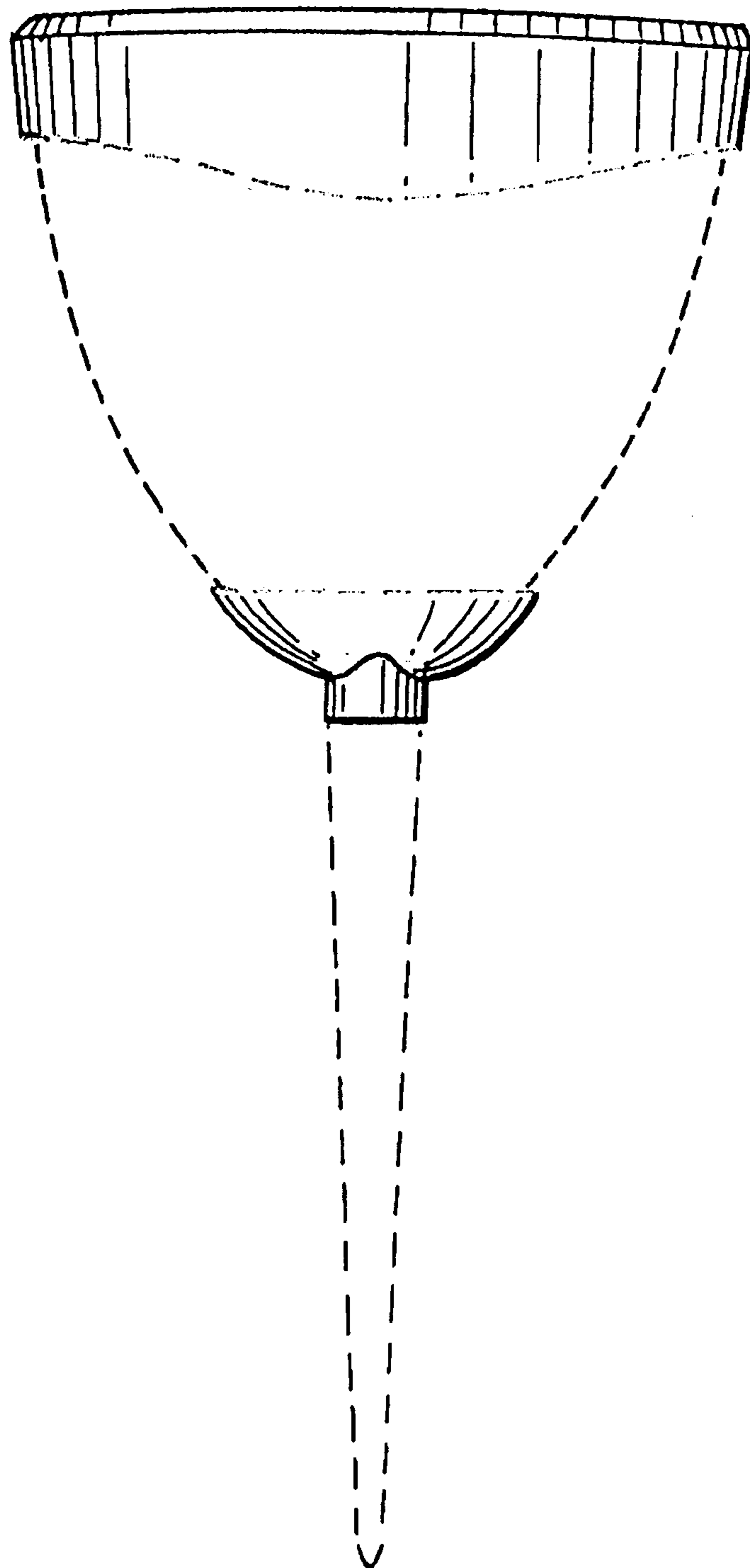


FIG. 6