



US00D529213S

(12) **United States Design Patent**
Shiu

(10) **Patent No.:** **US D529,213 S**

(45) **Date of Patent:** **** Sep. 26, 2006**

(54) **HEADLIGHT**

(75) **Inventor:** **Stephanie Wai Man Shiu**, Kowloon (HK)

(73) **Assignee:** **Gold Coral International Limited**, Kowloon (HK)

(**) **Term:** **14 Years**

(21) **Appl. No.:** **29/234,478**

(22) **Filed:** **Jul. 18, 2005**

(30) **Foreign Application Priority Data**

Mar. 16, 2005 (HK) 0500545

(51) **LOC (8) Cl.** **26-02**

(52) **U.S. Cl.** **D26/39**

(58) **Field of Classification Search** D26/37-50;
362/157, 158, 171-174, 183-208
See application file for complete search history.

(56) **References Cited**

U.S. PATENT DOCUMENTS

D470,615 S * 2/2003 Janice et al. D26/39

D482,472 S * 11/2003 Shiu D26/39
D482,811 S * 11/2003 Petzl D26/39
D485,384 S * 1/2004 Poon D26/39
D498,863 S * 11/2004 Poon D26/28
D503,817 S * 4/2005 Shiu D26/39
D508,140 S * 8/2005 Sharrah D26/39

* cited by examiner

Primary Examiner—Marcus A. Jackson

(74) *Attorney, Agent, or Firm*—Carmody & Torrance LLP

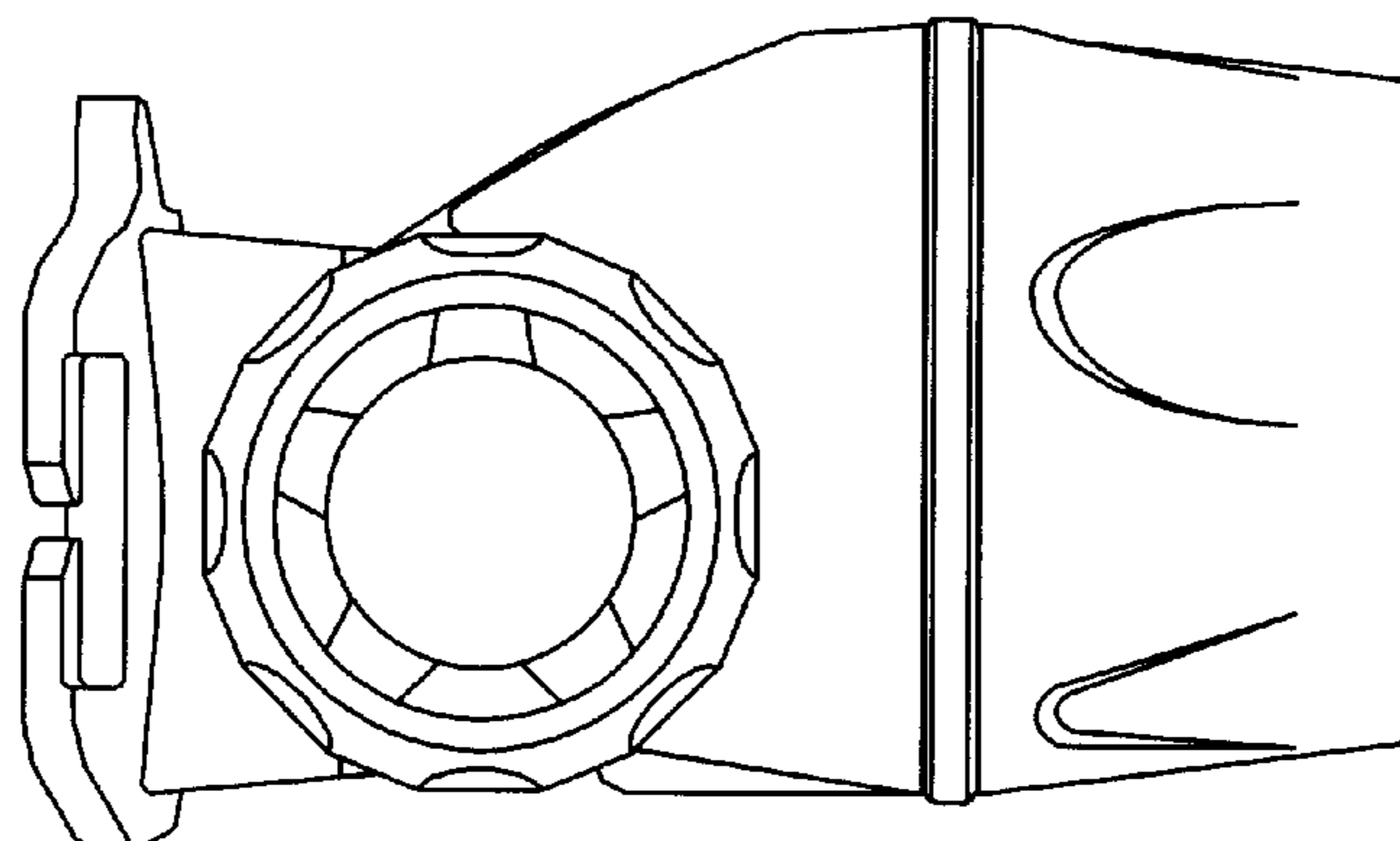
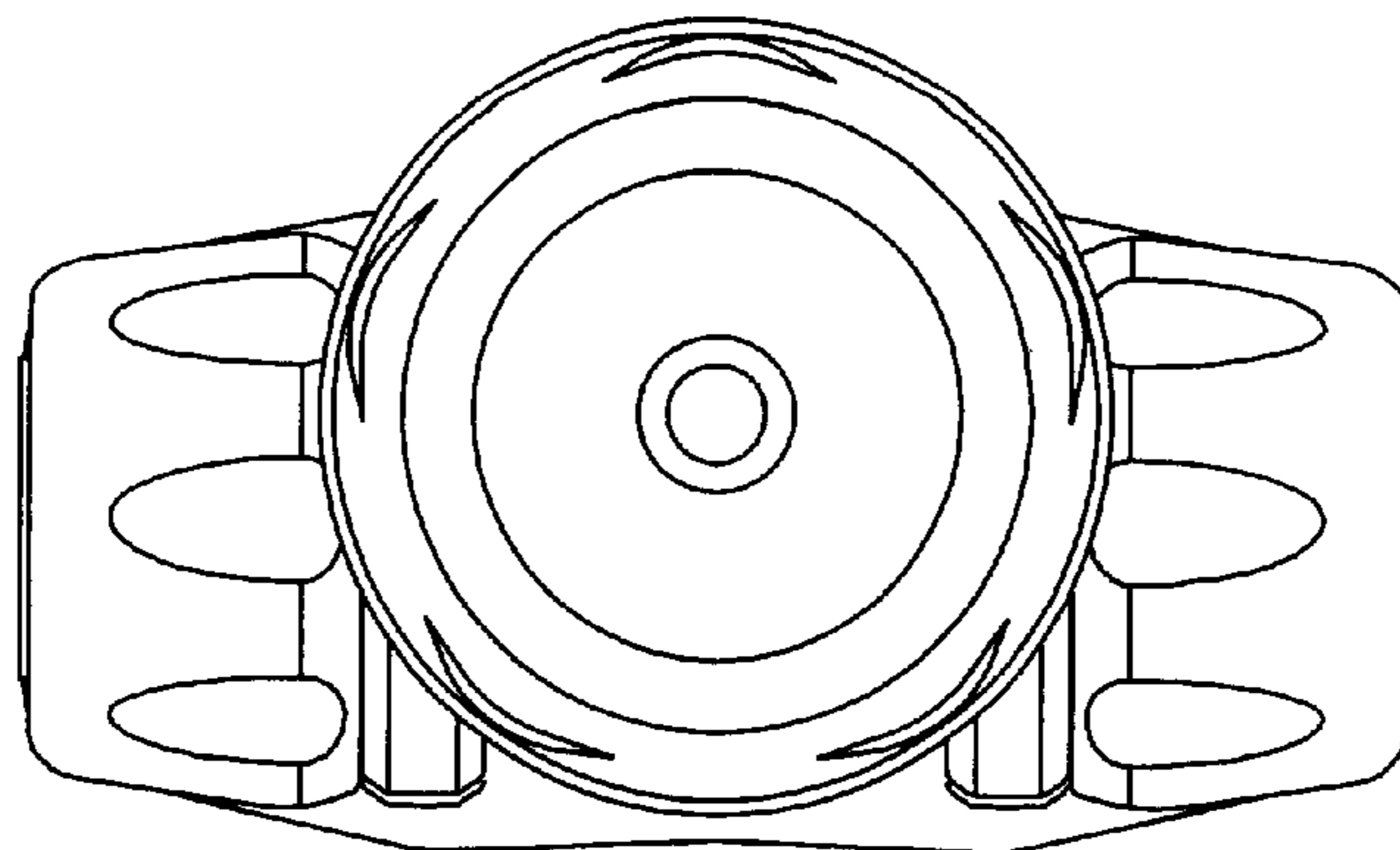
(57) **CLAIM**

The ornamental design for a headlight, as shown and described.

DESCRIPTION

FIG. 1 is a front view of a headlight showing my new design;
FIG. 2 is a rear view thereof;
FIG. 3 is a right side view thereof;
FIG. 4 is a left side view thereof;
FIG. 5 is a top plan view thereof; and,
FIG. 6 is a bottom plan view thereof.

1 Claim, 2 Drawing Sheets



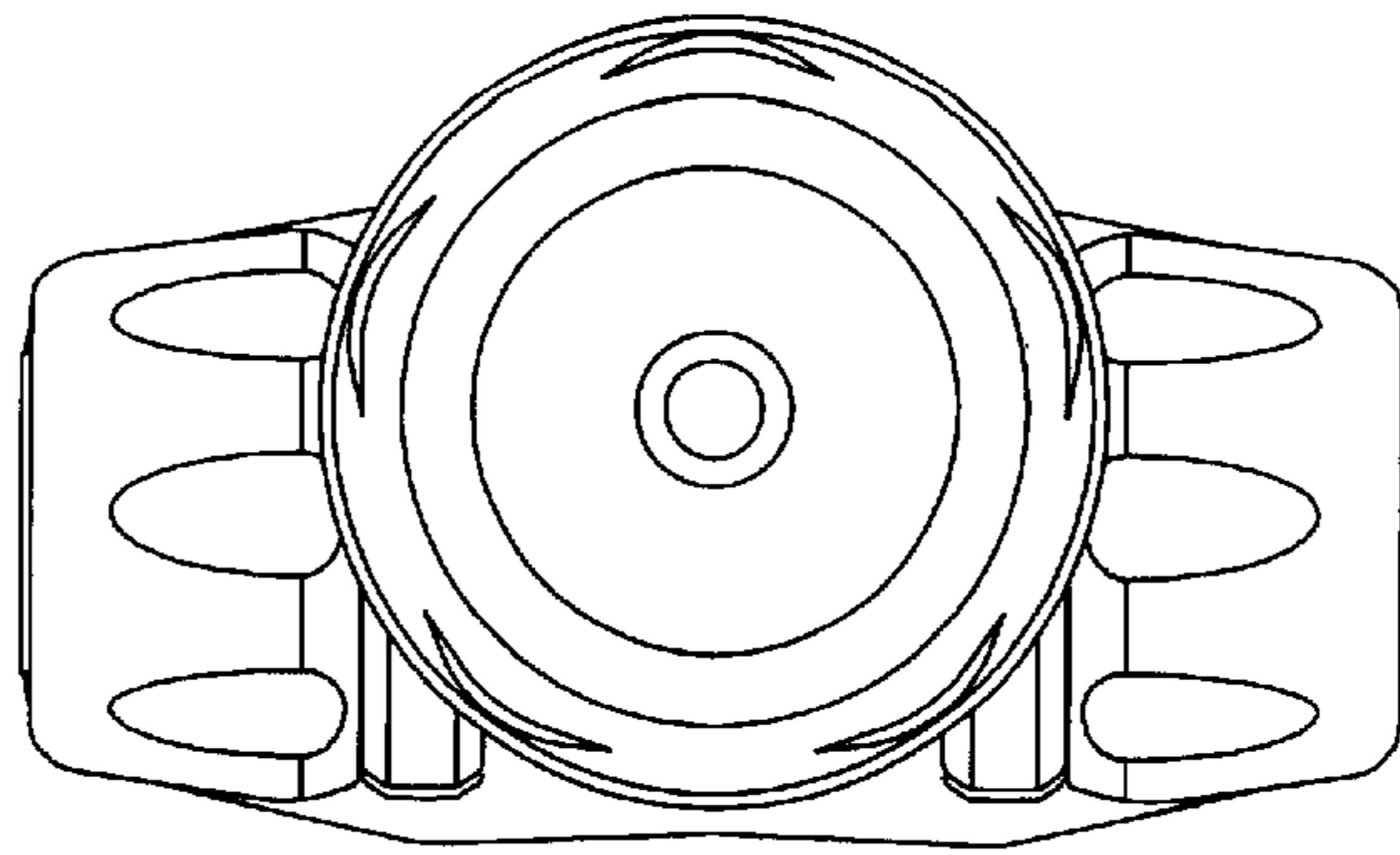


FIG. 1

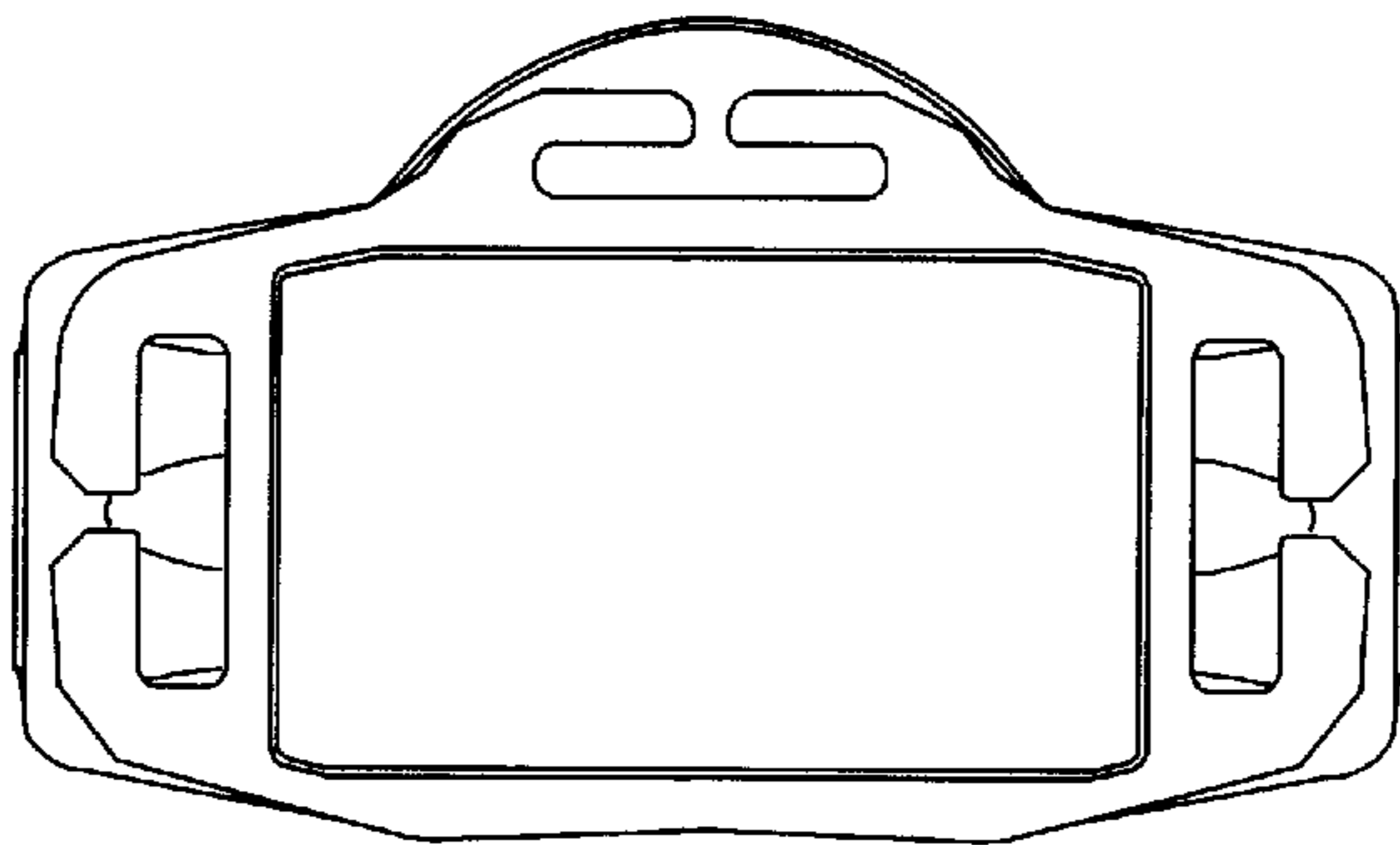


FIG. 2

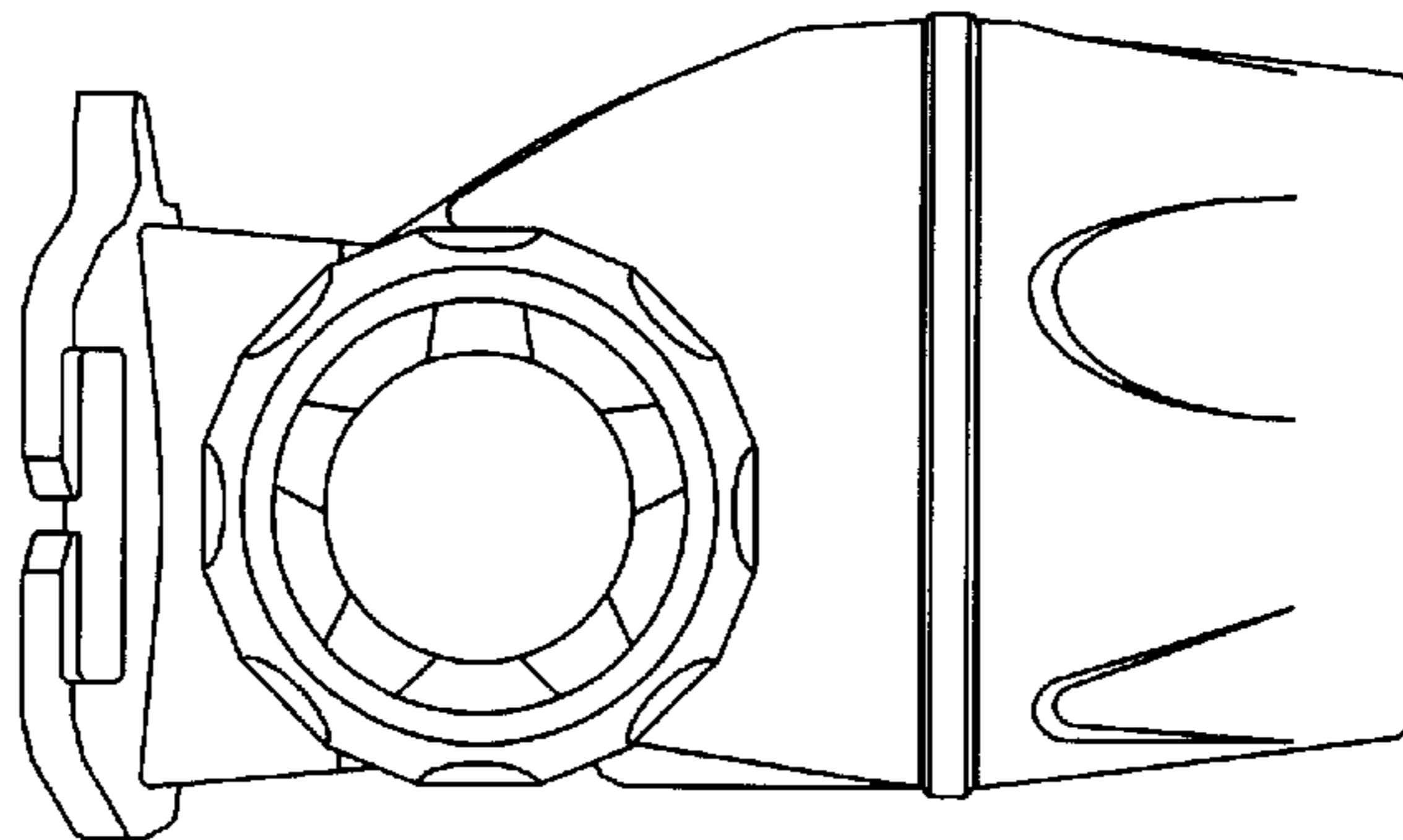


FIG. 3

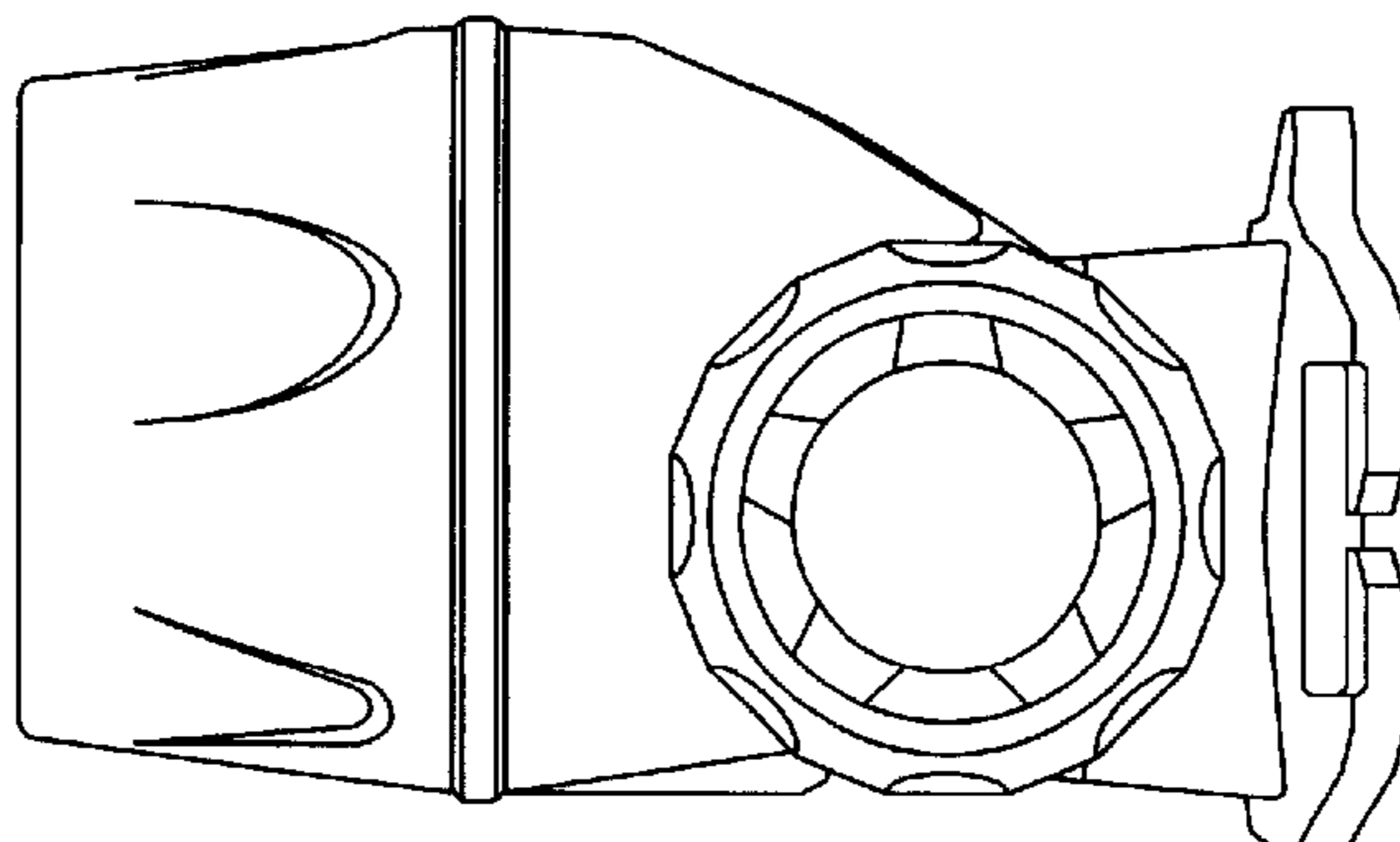


FIG. 4

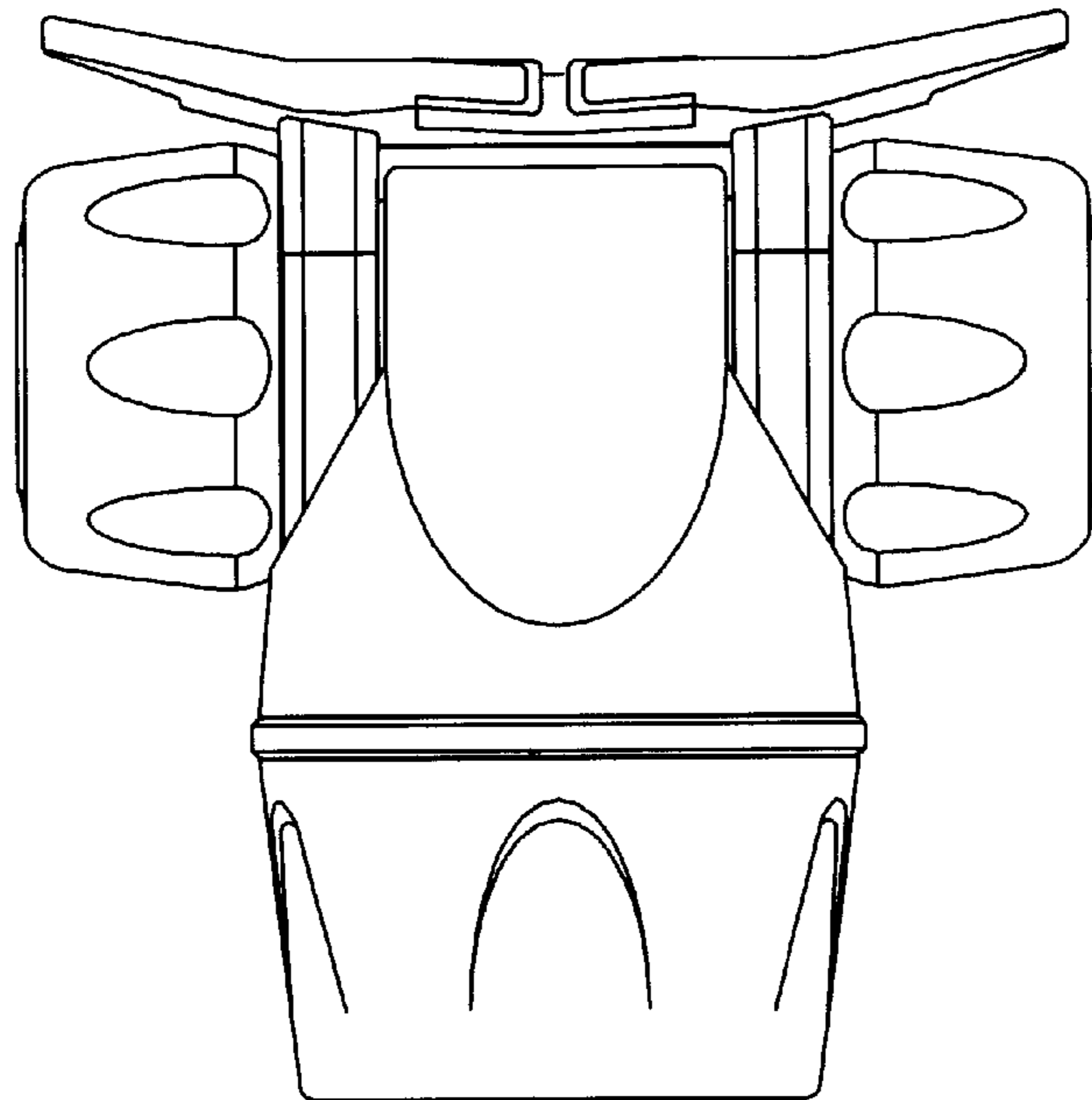


FIG. 5

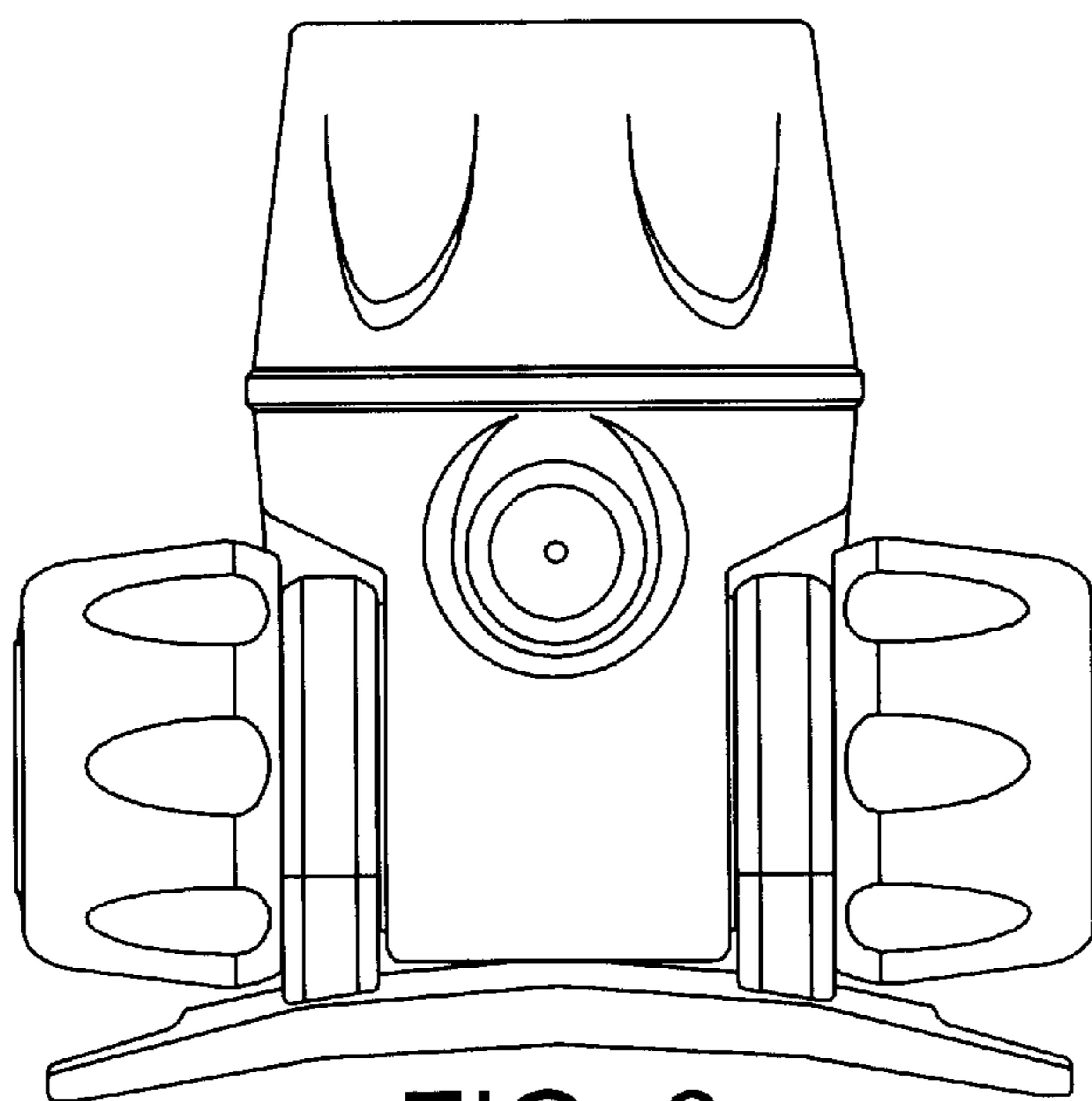


FIG. 6