



US00D529212S

(12) **United States Design Patent**  
**Yuen**

(10) **Patent No.:** **US D529,212 S**

(45) **Date of Patent:** **\*\* Sep. 26, 2006**

(54) **HAND CRANK POWERED LED  
FLASHLIGHT**

D476,437 S \* 6/2003 Dalton et al. .... D26/37  
D504,966 S \* 5/2005 Osiecki et al. .... D26/37  
D511,586 S \* 11/2005 Yeh ..... D26/37  
D513,335 S \* 12/2005 Lee ..... D26/37

(76) Inventor: **Se Kit Yuen**, 6/F, Yau Lee Centre, 45  
Hoi Yuen Road, Kwun Tong, Kowloon  
(HK)

\* cited by examiner

(\*\*) Term: **14 Years**

*Primary Examiner*—Marcus A. Jackson

(74) *Attorney, Agent, or Firm*—Akerman Senterfitt

(21) Appl. No.: **29/232,797**

(57) **CLAIM**

(22) Filed: **Jun. 23, 2005**

The ornamental design of a hand crank powered LED  
flashlight, as shown and described.

(30) **Foreign Application Priority Data**

**DESCRIPTION**

Apr. 29, 2005 (HK) ..... 0500983

(51) **LOC (8) Cl.** ..... **26-02**

FIG. 1 is a perspective view of the hand crank powered LED  
flashlight.

(52) **U.S. Cl.** ..... **D26/37**

FIG. 2 is a front view thereof.

(58) **Field of Classification Search** ..... D26/37-50;  
362/157, 158, 171-174, 183-208

FIG. 3 is a rear view thereof.

See application file for complete search history.

FIG. 4 is a top view thereof.

FIG. 5 is a bottom view thereof.

(56) **References Cited**

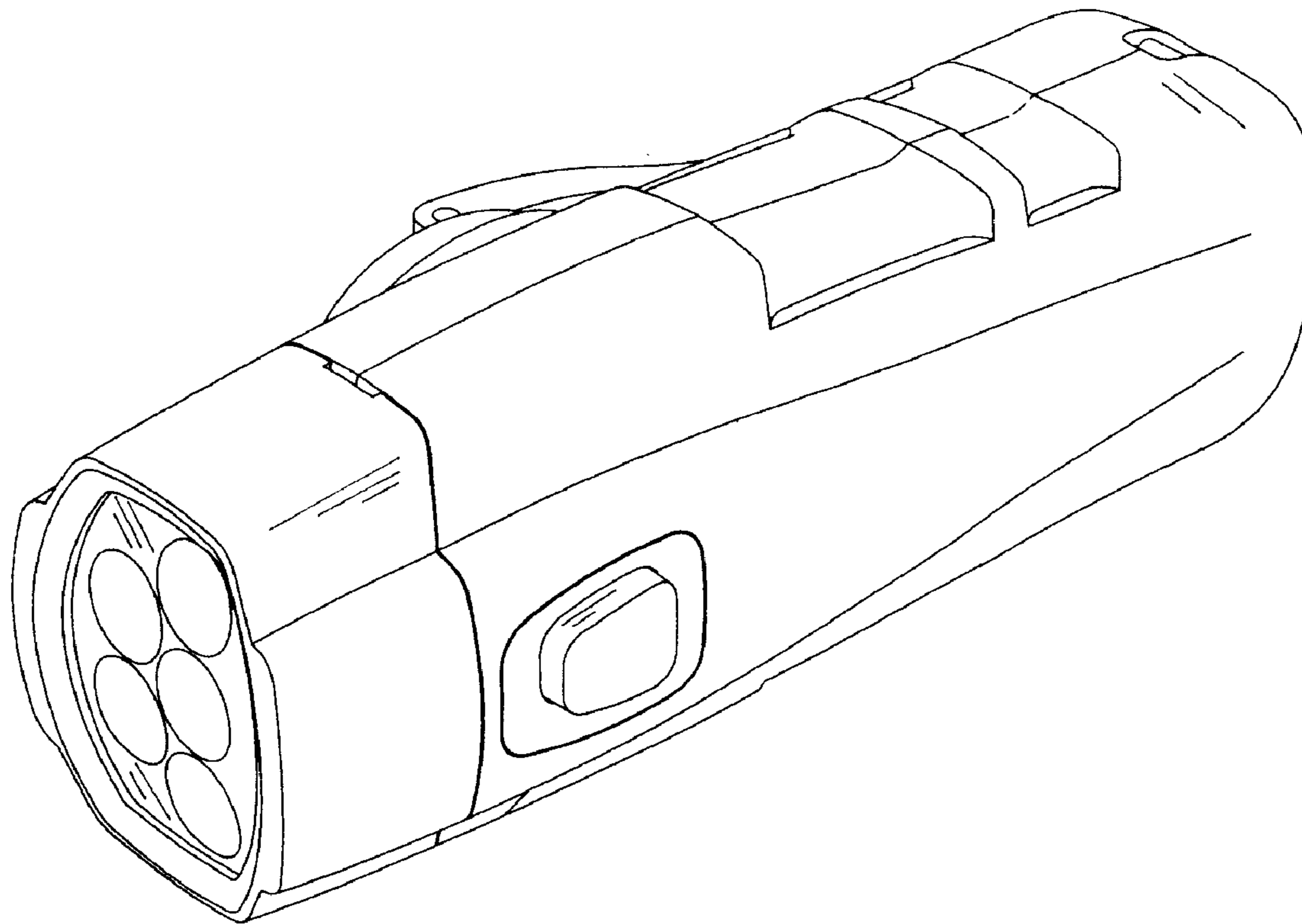
FIG. 6 is a side view thereof; and,

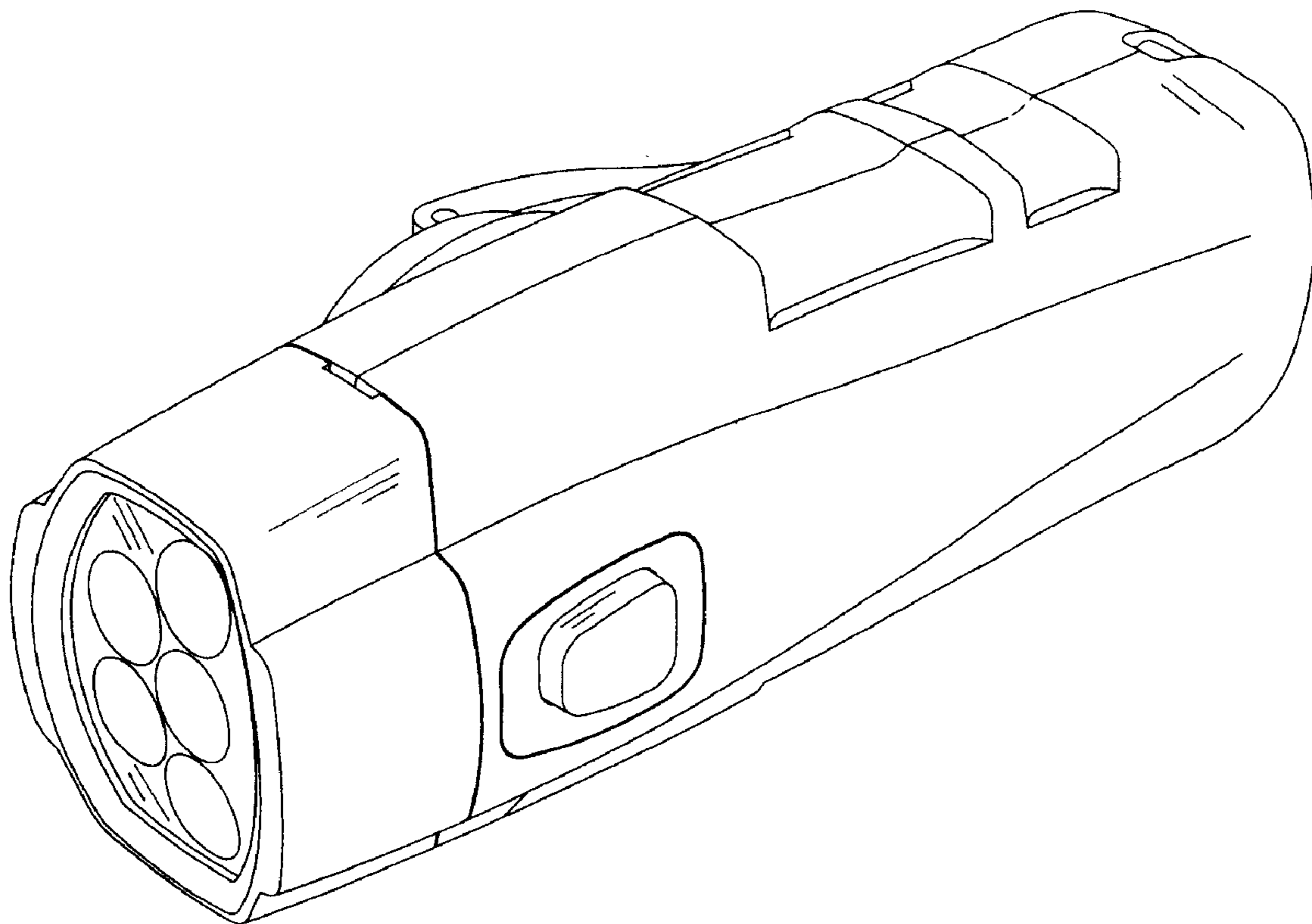
FIG. 7 is an other side view thereof.

**U.S. PATENT DOCUMENTS**

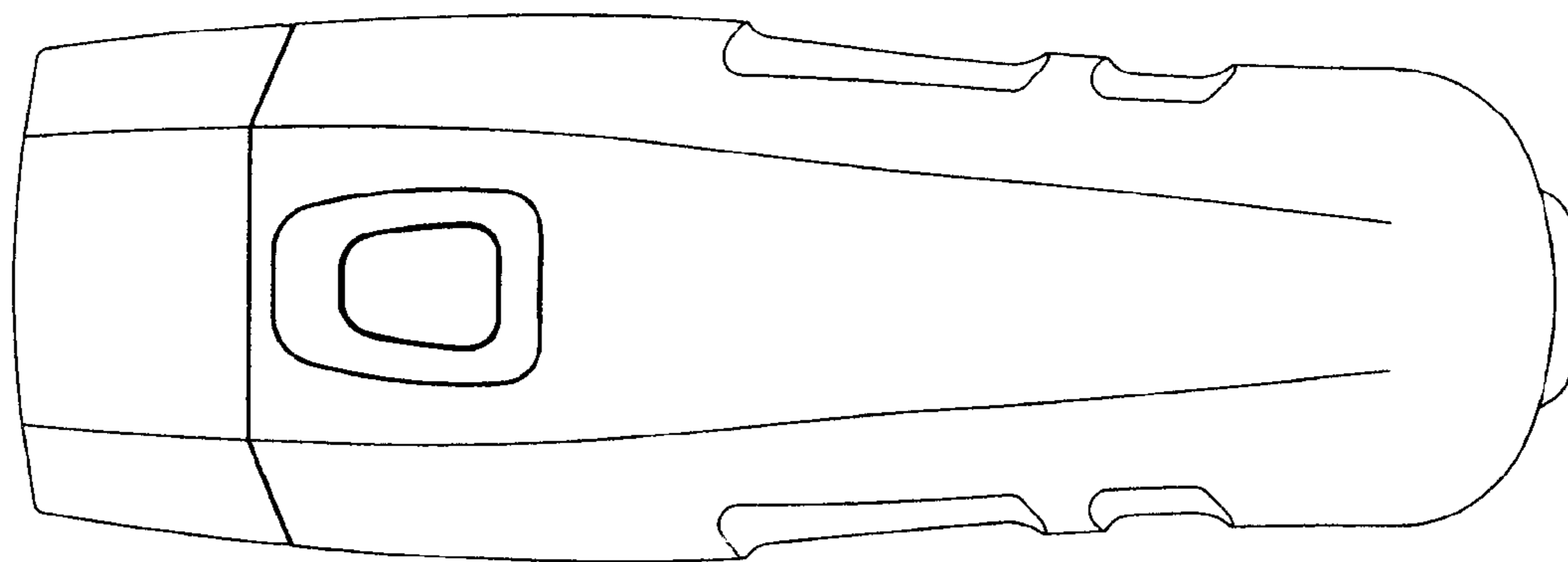
D407,509 S \* 3/1999 Yuen ..... D26/37

**1 Claim, 4 Drawing Sheets**

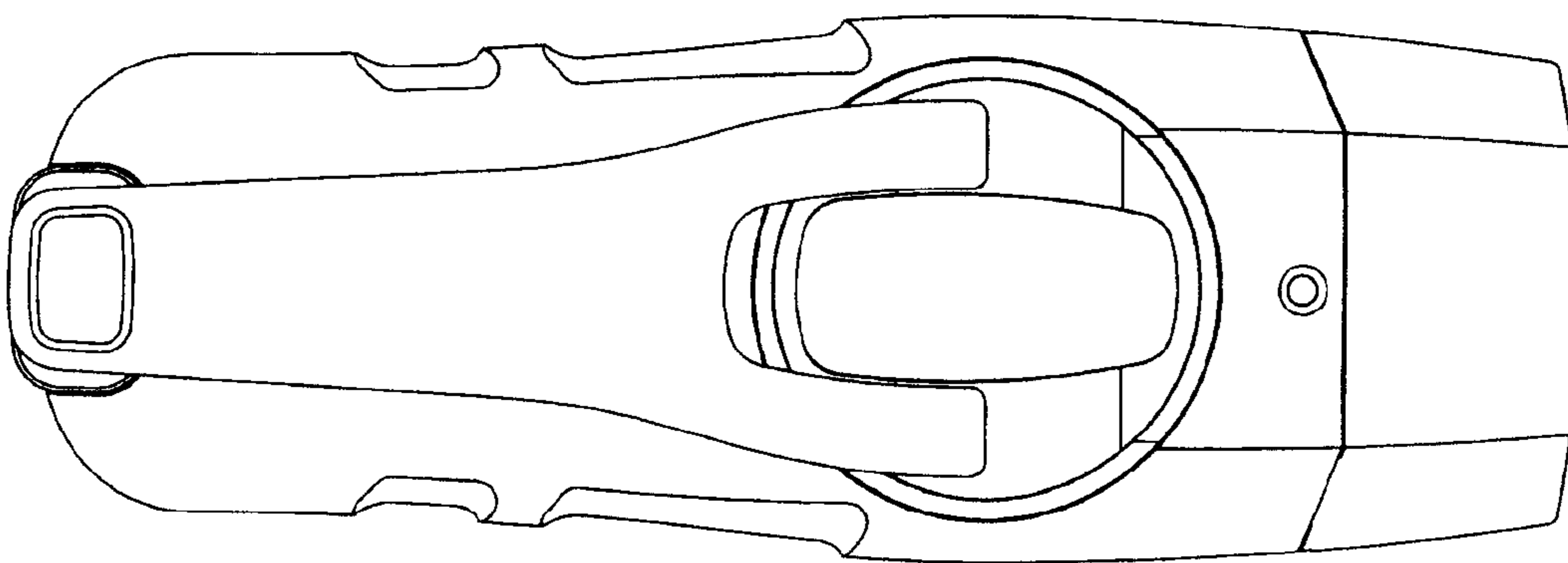




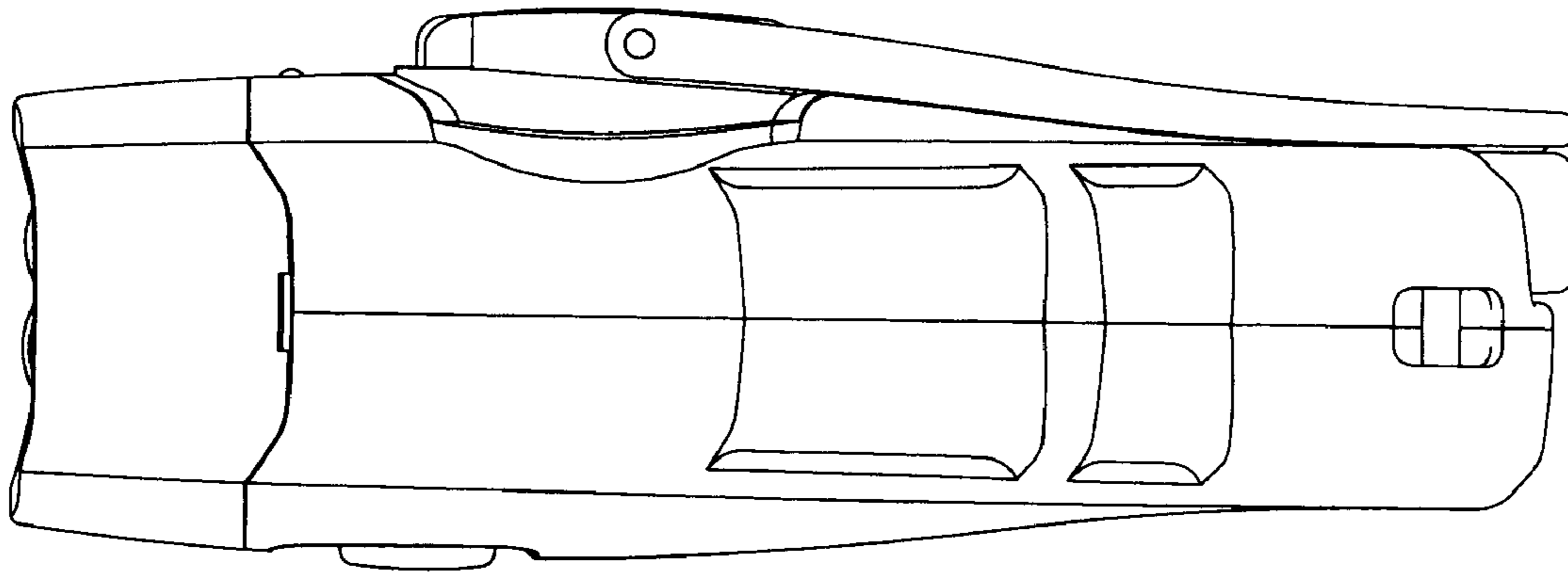
**FIG. 1**



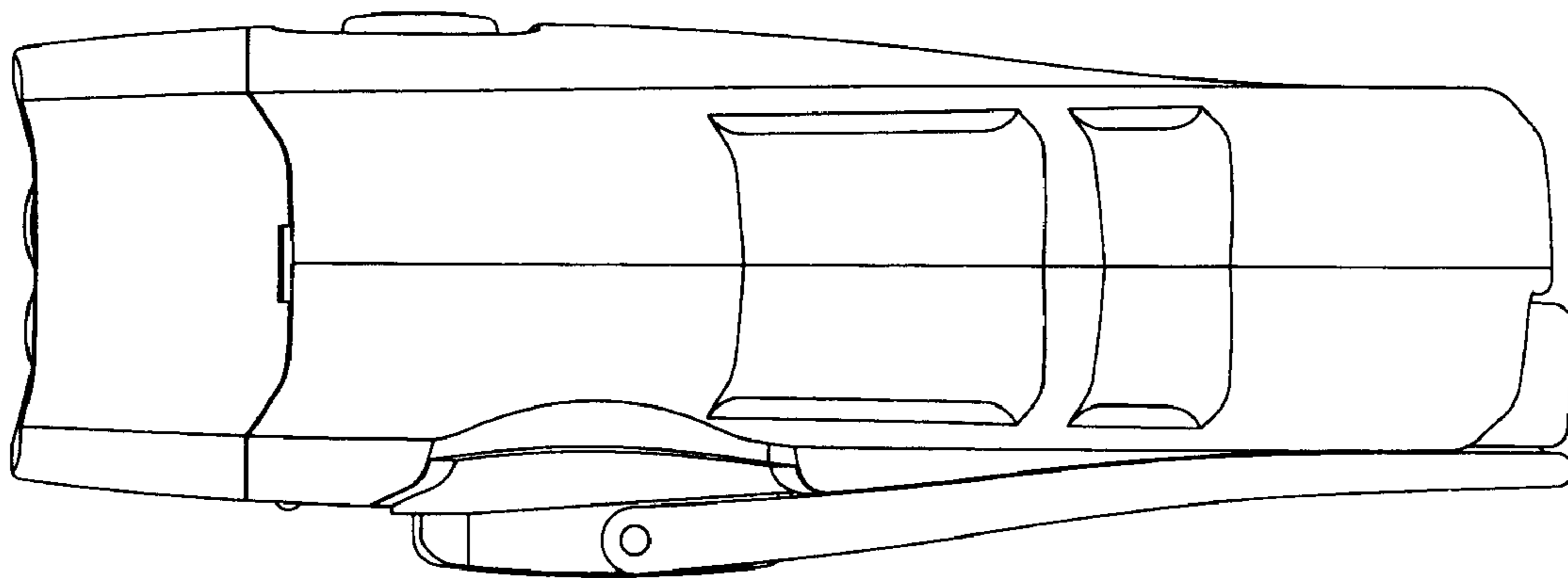
**FIG. 2**



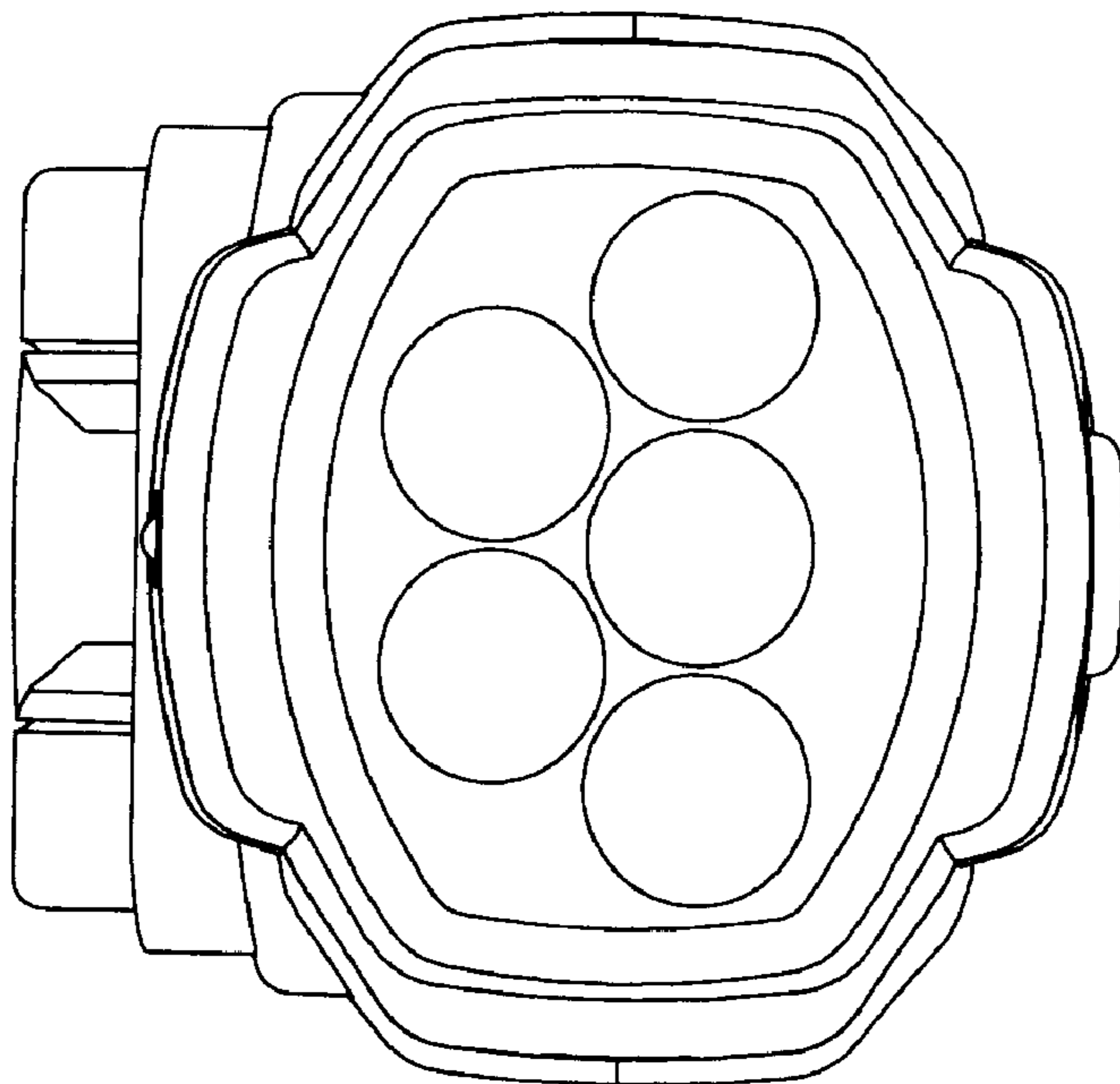
**FIG. 3**



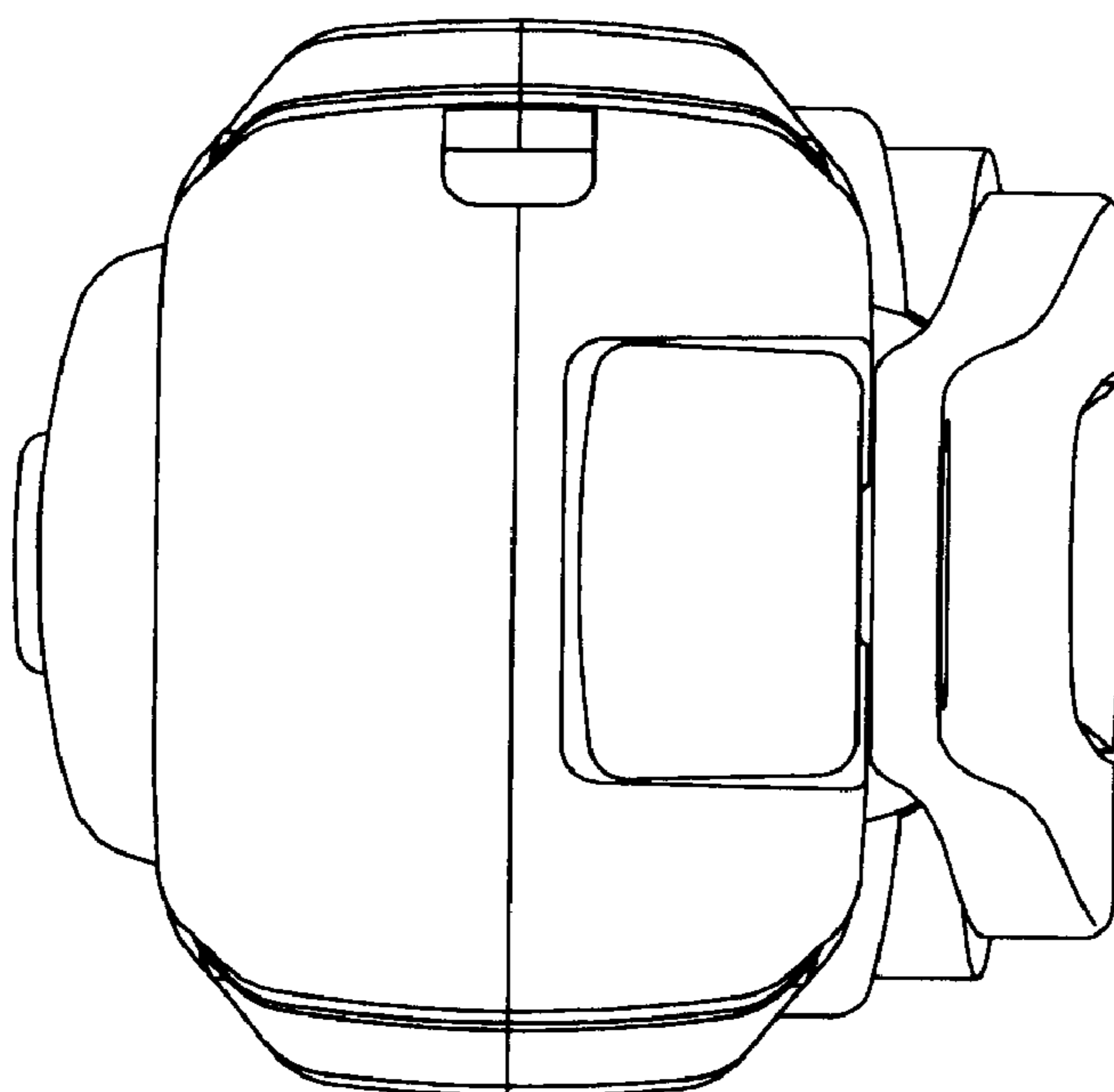
**FIG. 4**



**FIG. 5**



**FIG. 6**



**FIG. 7**