



US00D529210S

(12) **United States Design Patent**
Mundhra

(10) **Patent No.:** **US D529,210 S**

(45) **Date of Patent:** **** Sep. 26, 2006**

(54) **NON-ROLLING FLASHLIGHT**

(76) **Inventor:** **Sudhir Mundhra**, Sona Enterprises
7825 Somerset Blvd., Unit D,
Paramount, CA (US) 90273

(**) **Term:** **14 Years**

(21) **Appl. No.:** **29/226,231**

(22) **Filed:** **Mar. 24, 2005**

(51) **LOC (8) Cl.** **26-02**

(52) **U.S. Cl.** **D26/37**

(58) **Field of Classification Search** D26/37-50;
362/157, 158, 171-174, 183-208
See application file for complete search history.

(56) **References Cited**

U.S. PATENT DOCUMENTS

1,211,465 A	1/1917	McGuckin	
2,097,222 A	10/1937	Tompkins et al.	240/10.66
D251,149 S	2/1979	Zelina	D48/24
D259,962 S	7/1981	Sassmannshausen	D26/37
D303,846 S	10/1989	Parker	D26/46
5,267,131 A	11/1993	Anthony et al.	362/208
5,339,229 A	8/1994	Snyder	362/208
6,334,698 B1	1/2002	Jackson	362/200
D455,510 S	4/2002	Galli	D26/37
D481,482 S	10/2003	Mah	D26/37

6,786,615 B1	9/2004	Hendricks	362/109
D497,020 S	* 10/2004	Lee	D26/49
D502,275 S	2/2005	Saunders	D26/37
D504,530 S	4/2005	Shiu	D26/37
D506,559 S	* 6/2005	Chen	D26/37
D507,365 S	* 7/2005	Chen	D26/37
D517,230 S	* 3/2006	Ho	D26/37
D518,583 S	* 4/2006	Vickers et al.	D26/37

* cited by examiner

Primary Examiner—Marcus A. Jackson

(74) *Attorney, Agent, or Firm*—Cislo & Thomas, LLP

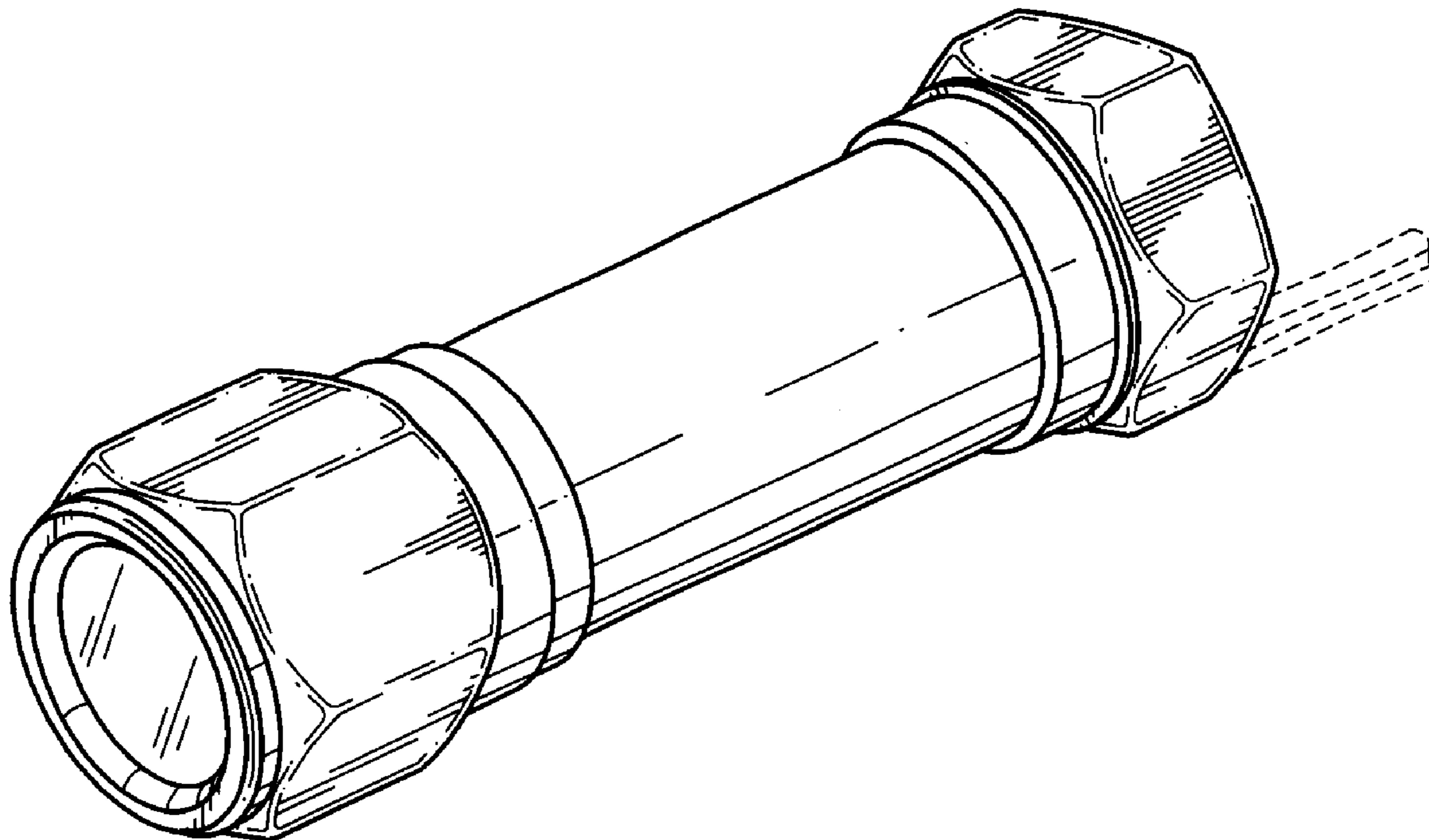
(57) **CLAIM**

I claim the ornamental design for a non-rolling flashlight, as shown and described herein.

DESCRIPTION

FIG. 1. Is a perspective view of;
FIG. 2. Is a top view, thereof with the bottom view being a mirror image thereof;
FIG. 3. Is a left side view thereof with the right side view being a mirror image thereof;
FIG. 4. Is a front view thereof; and,
FIG. 5. Is a rear view thereof.
The broken line portions of the disclosure are for illustrative purposes only and form no part of the claimed design.

1 Claim, 2 Drawing Sheets



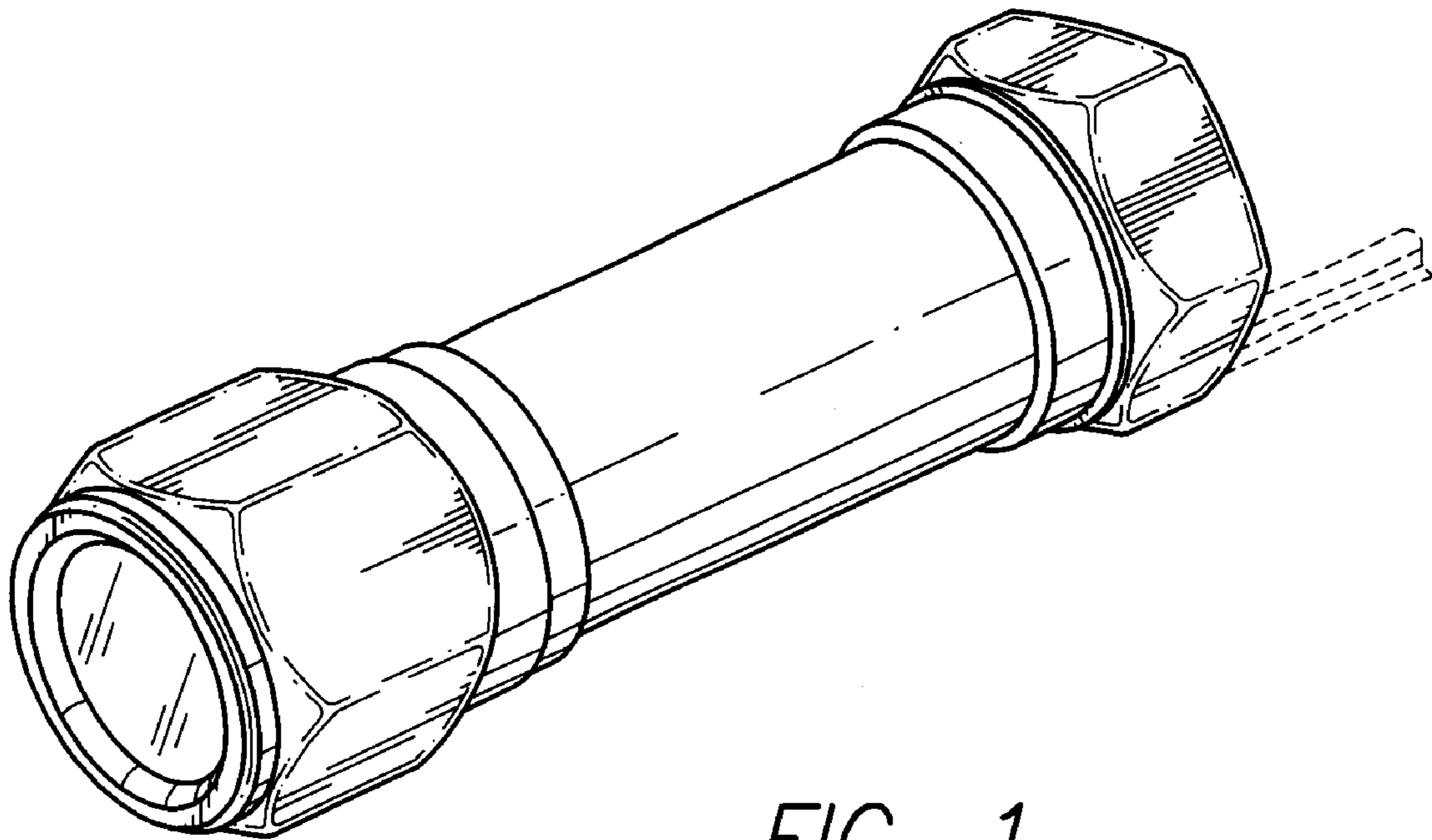


FIG. 1

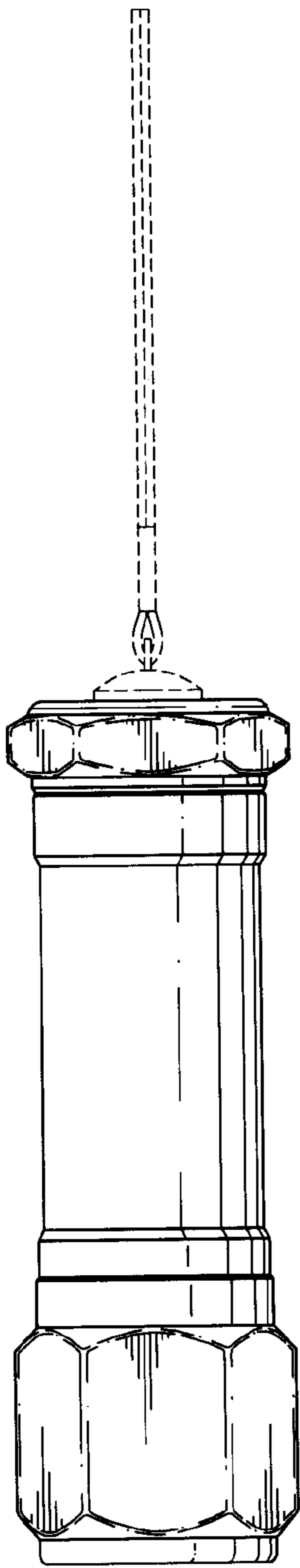


FIG. 2

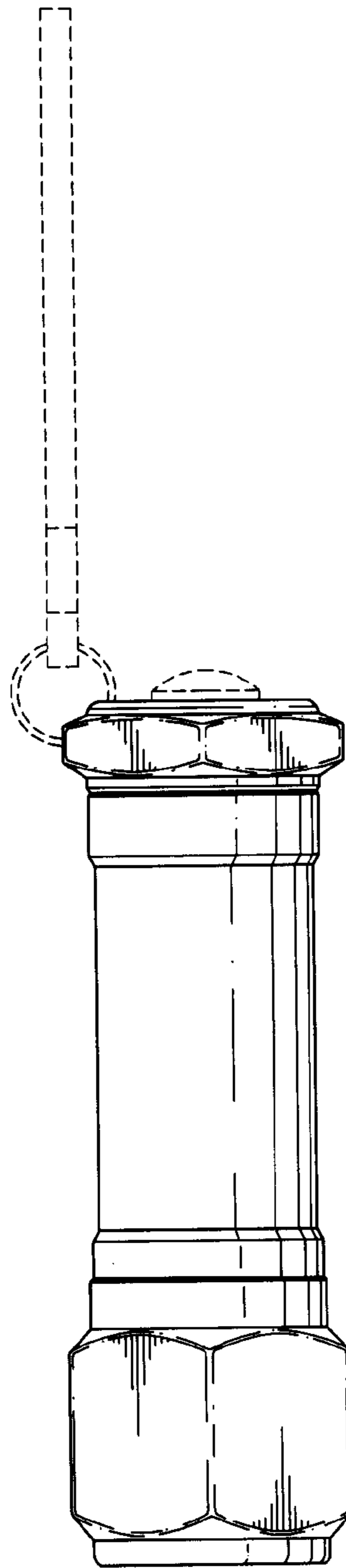


FIG. 3

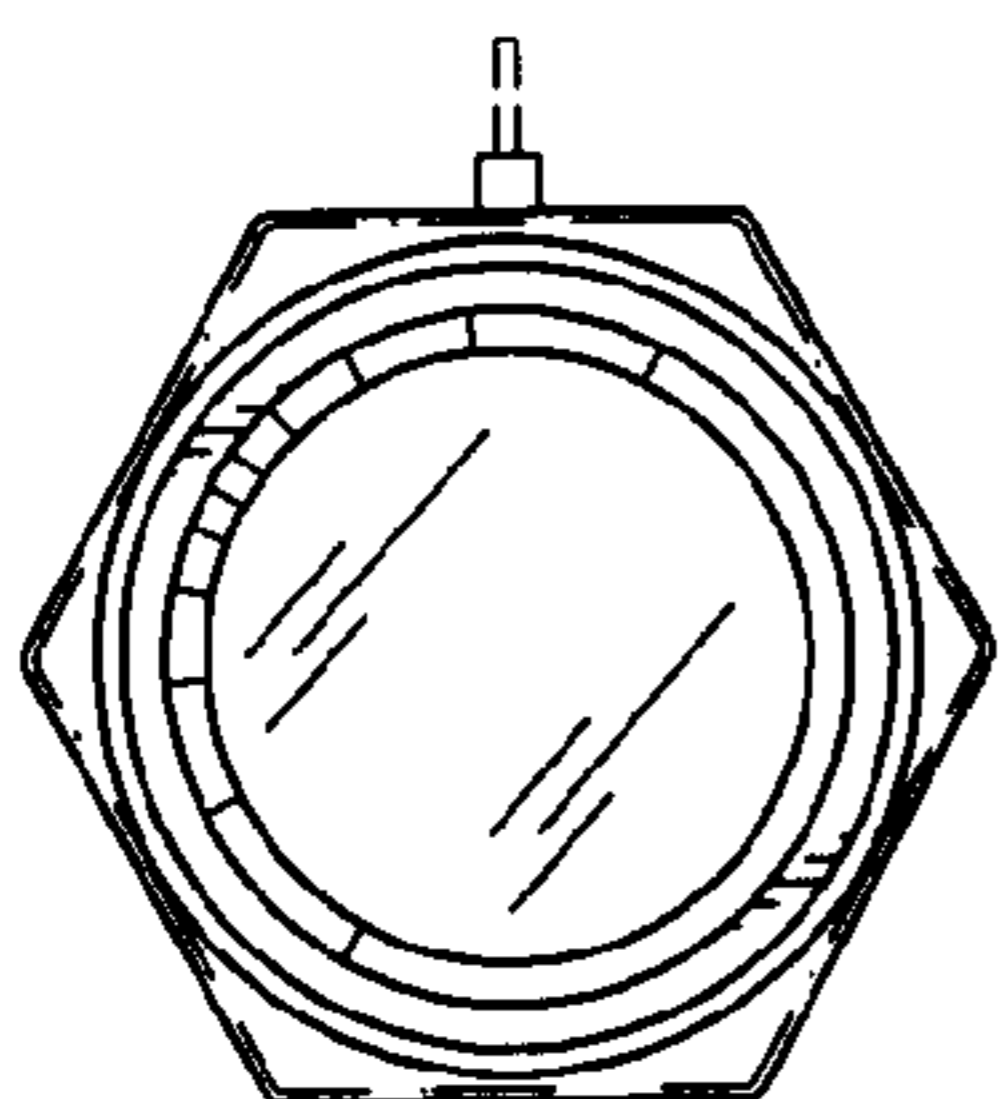


FIG. 4

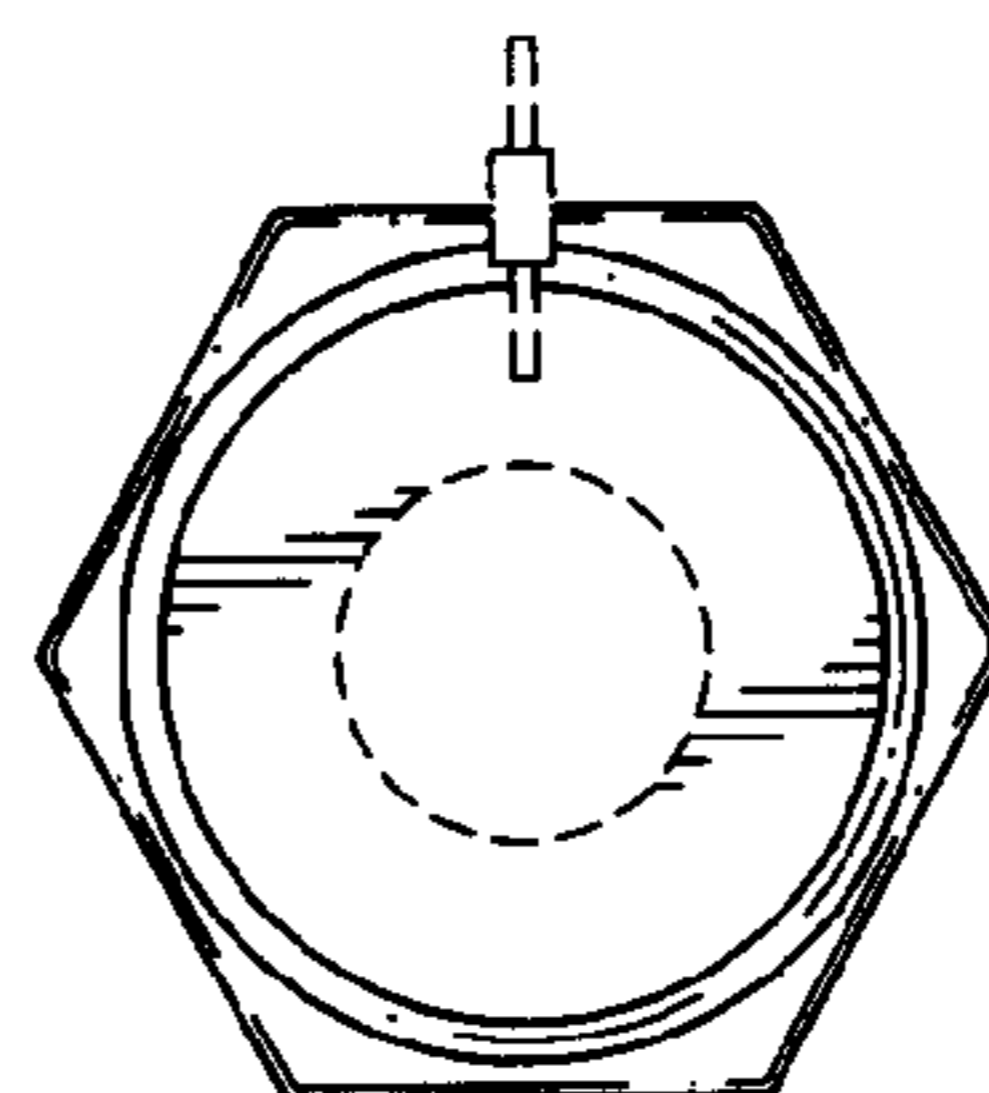


FIG. 5