



US00D529205S

(12) **United States Design Patent**
Nagano

(10) **Patent No.:** **US D529,205 S**

(45) **Date of Patent:** **** Sep. 26, 2006**

(54) **HEADLAMP**

(75) **Inventor:** **Toshiyuki Nagano**, Izumisano (JP)

(73) **Assignee:** **Cateye Co., Ltd.**, Osaka (JP)

(**) **Term:** **14 Years**

(21) **Appl. No.:** **29/231,679**

(22) **Filed:** **Jun. 8, 2005**

(30) **Foreign Application Priority Data**

Feb. 10, 2005 (JP) 2005-003551(DES)

(51) **LOC (8) Cl.** **26-06**

(52) **U.S. Cl.** **D26/28**

(58) **Field of Classification Search** D26/28-36;
362/459-468, 475-478, 485-487
See application file for complete search history.

(56) **References Cited**

U.S. PATENT DOCUMENTS

D440,675 S * 4/2001 Okuda D26/28
D444,581 S * 7/2001 Okuda D26/28

D498,550 S * 11/2004 Chen D26/28
D518,905 S * 4/2006 Okuda et al. D26/28
D520,155 S * 5/2006 Okuda D26/28

FOREIGN PATENT DOCUMENTS

JP 1254645 10/2005

* cited by examiner

Primary Examiner—Marcus A. Jackson

(74) *Attorney, Agent, or Firm*—Olson & Hierl, Ltd.

(57) **CLAIM**

The ornamental design for a headlamp, as shown.

DESCRIPTION

FIG. 1 is a perspective view of a headlamp showing my new design;

FIG. 2 is a front view thereof;

FIG. 3 is a rear view thereof;

FIG. 4 is a top plan view thereof;

FIG. 5 is a bottom plan view thereof;

FIG. 6 is a right side view thereof; and,

FIG. 7 is a left side view thereof.

1 Claim, 4 Drawing Sheets

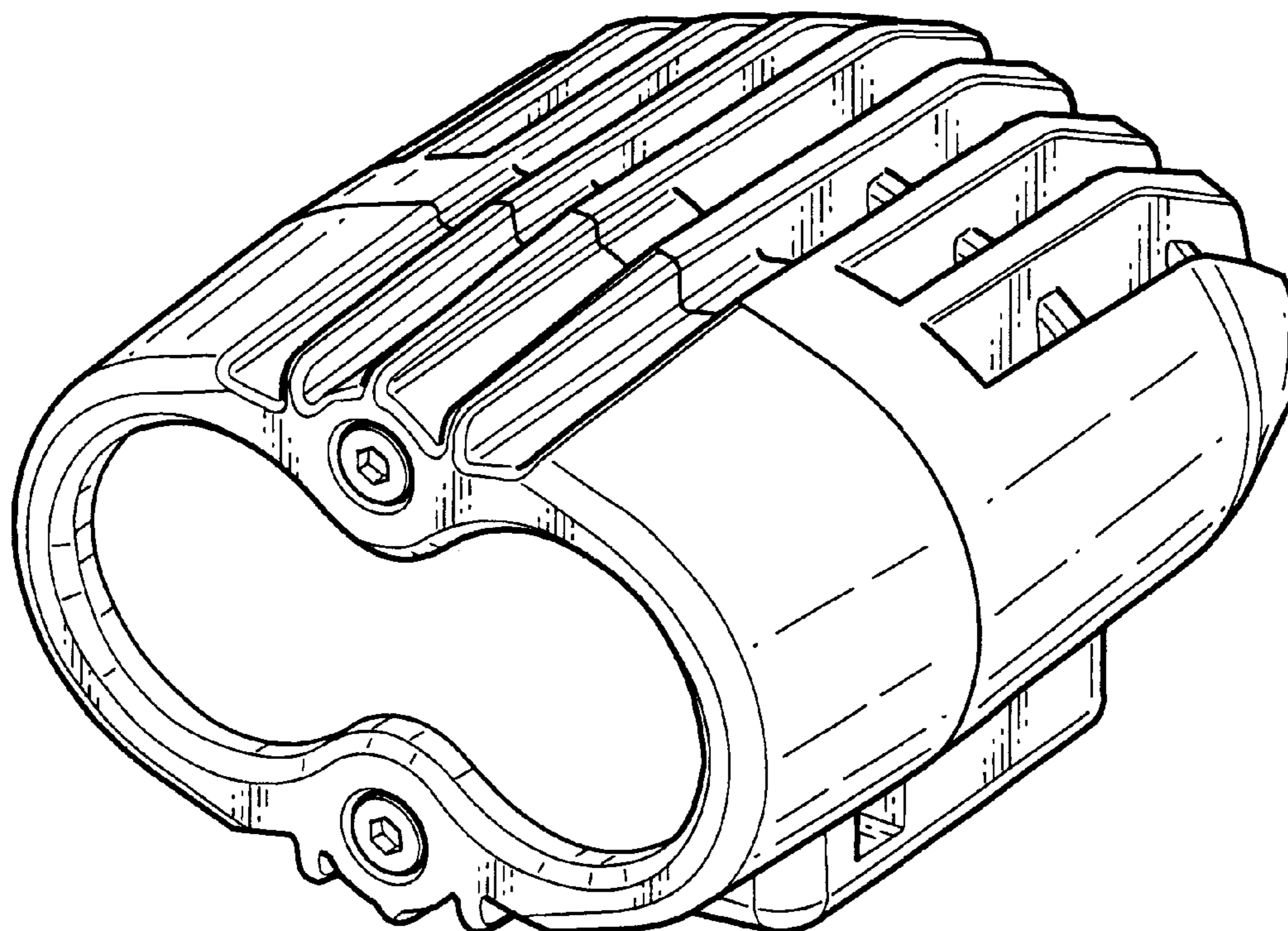


FIG. 1

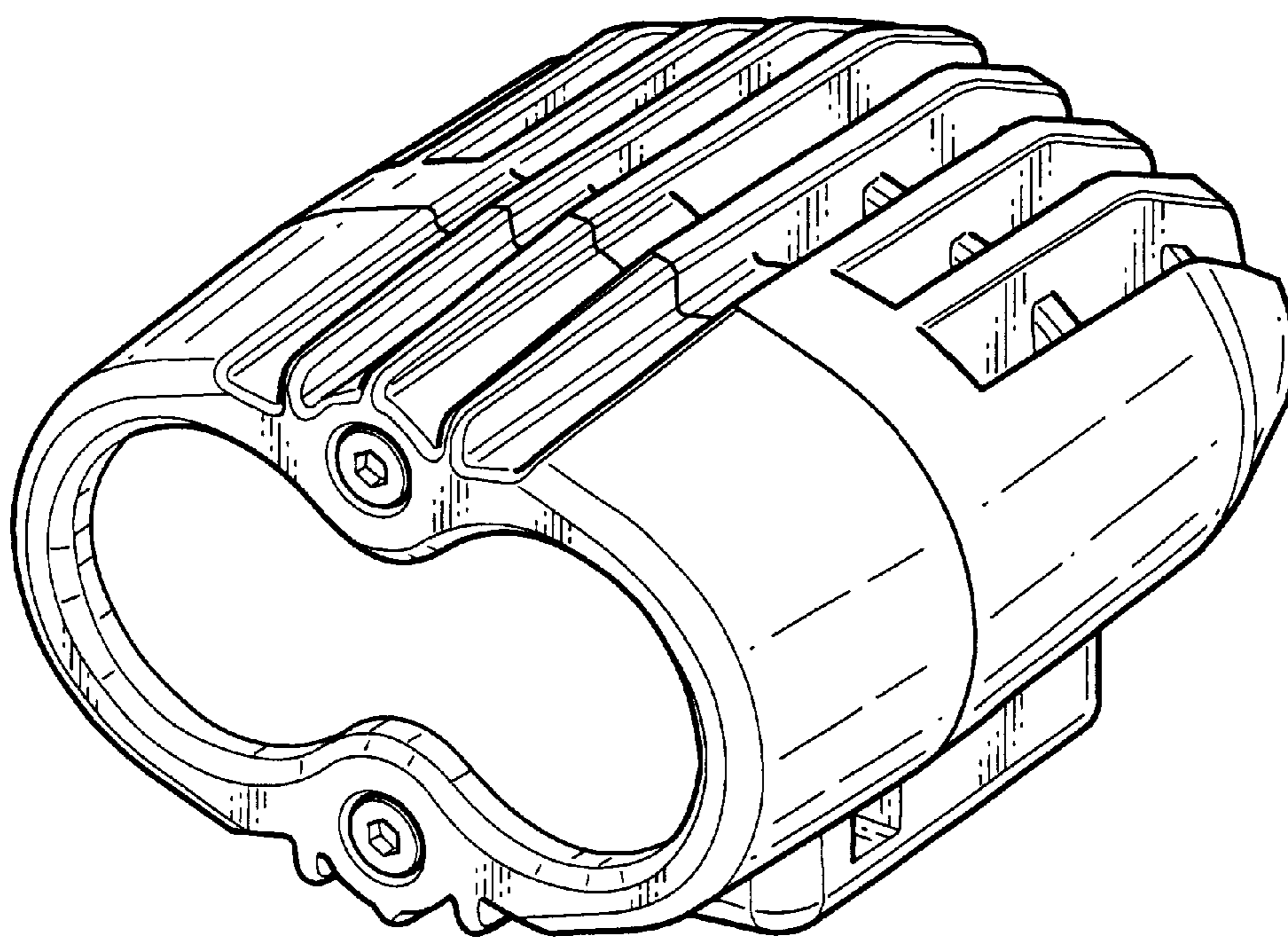


FIG. 2

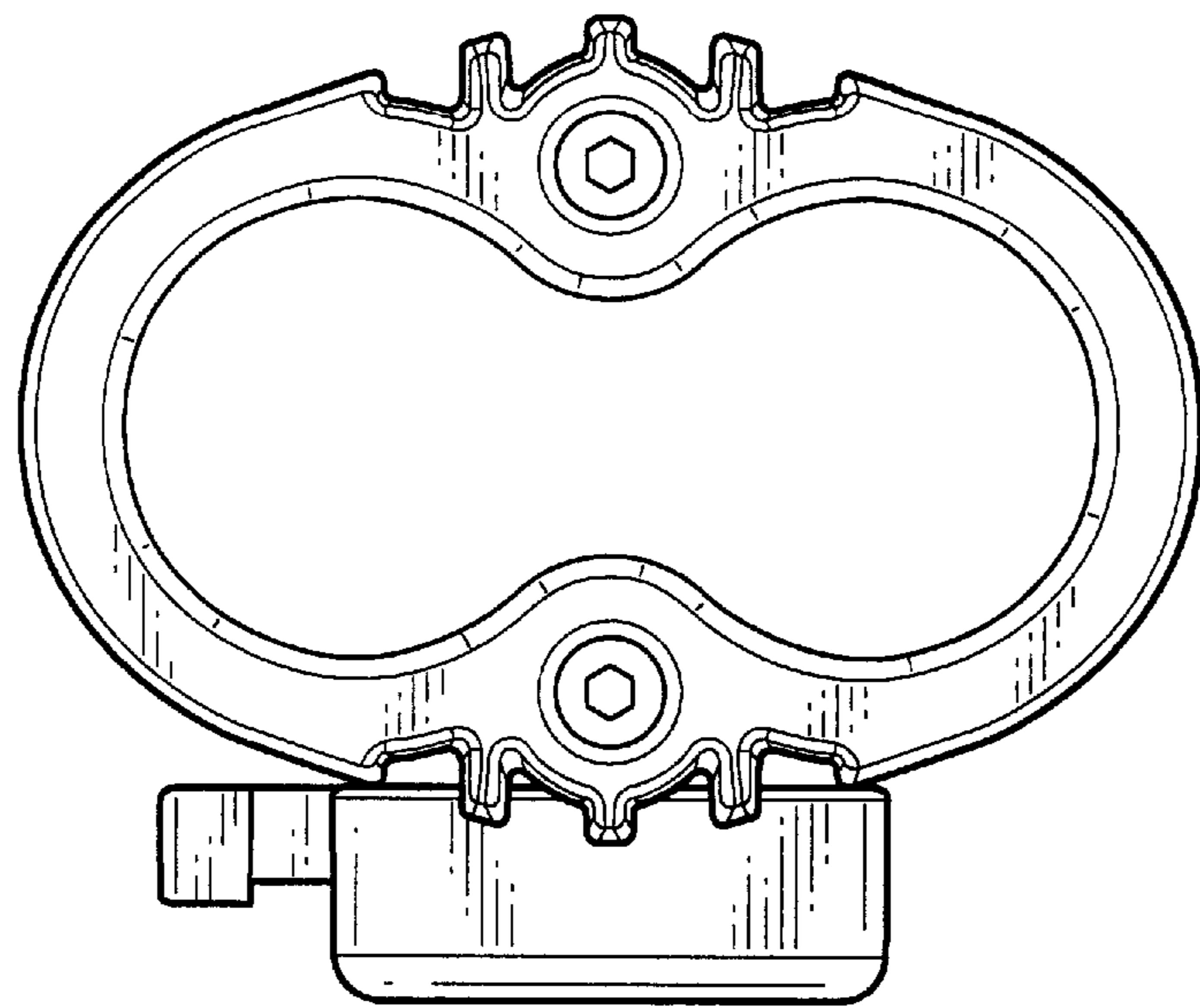


FIG. 3

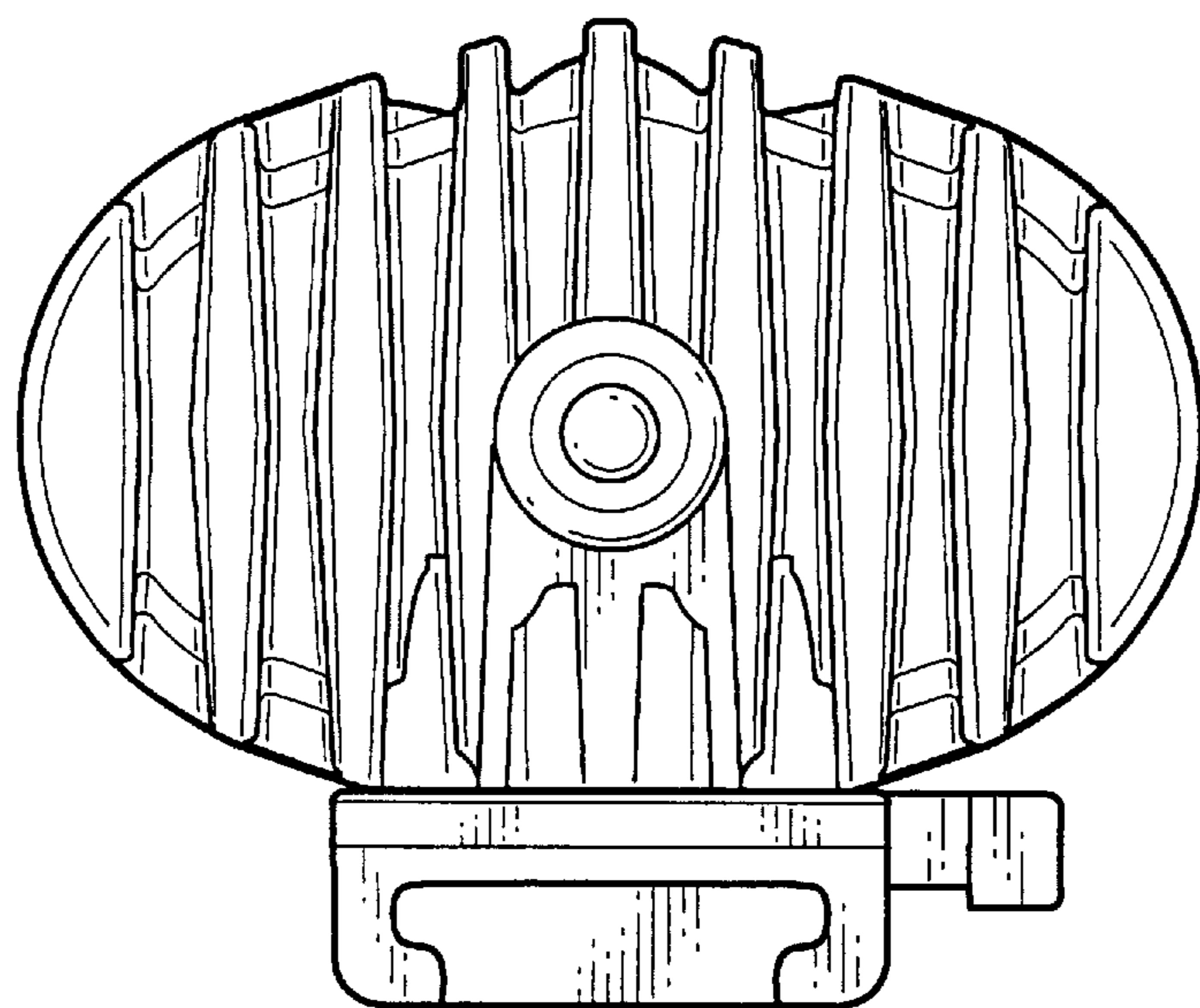


FIG. 4

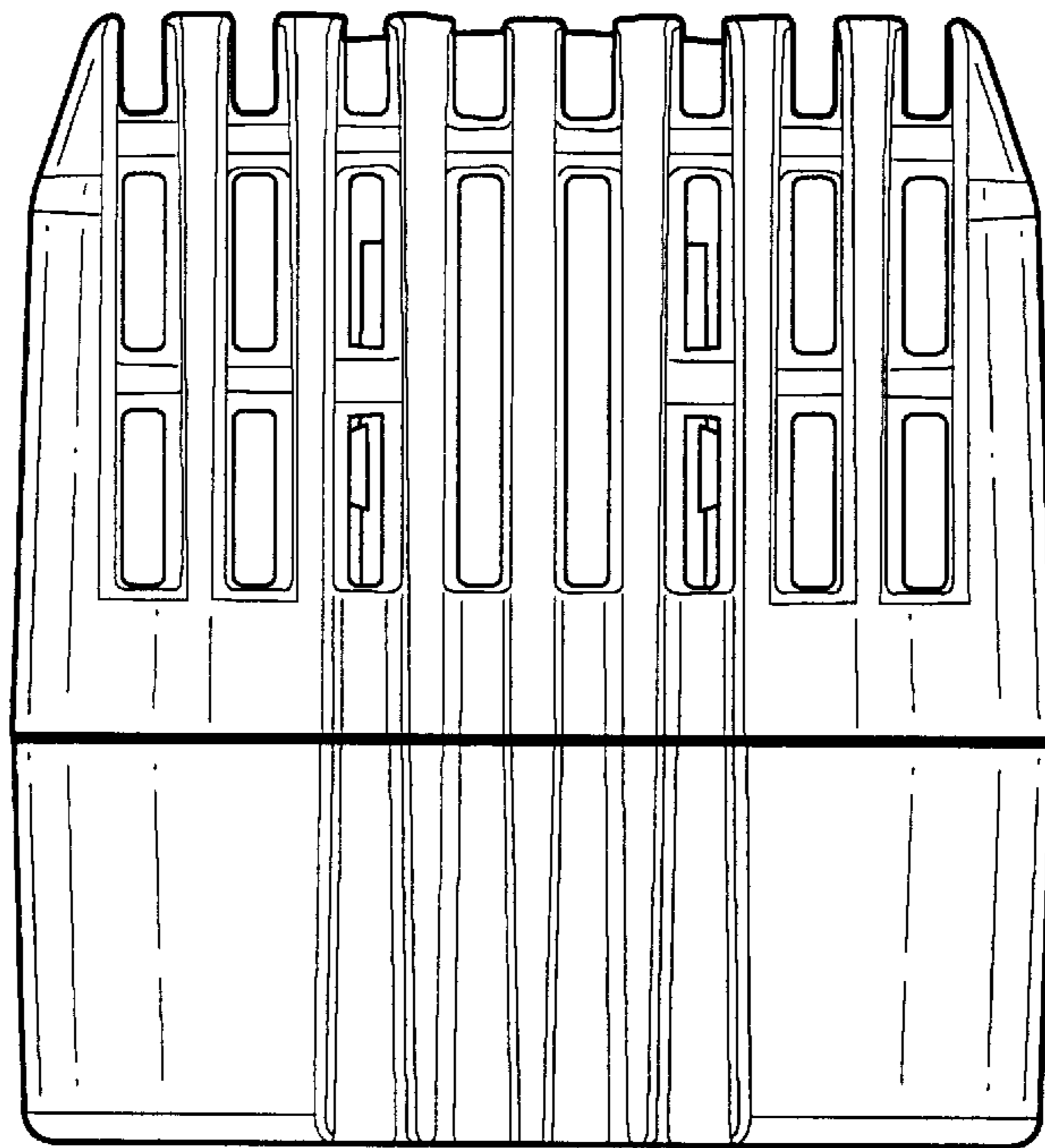


FIG. 5

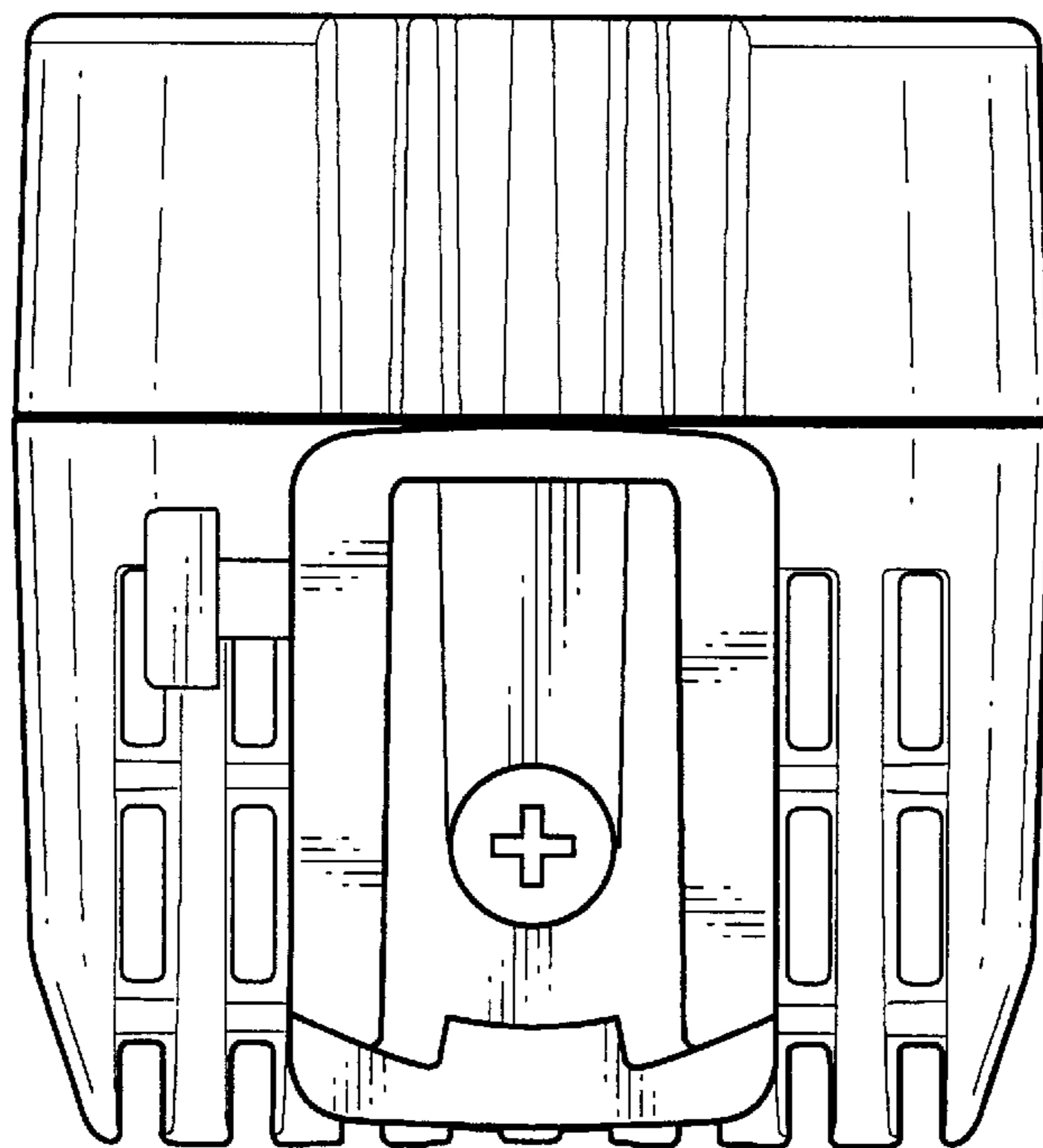


FIG. 6

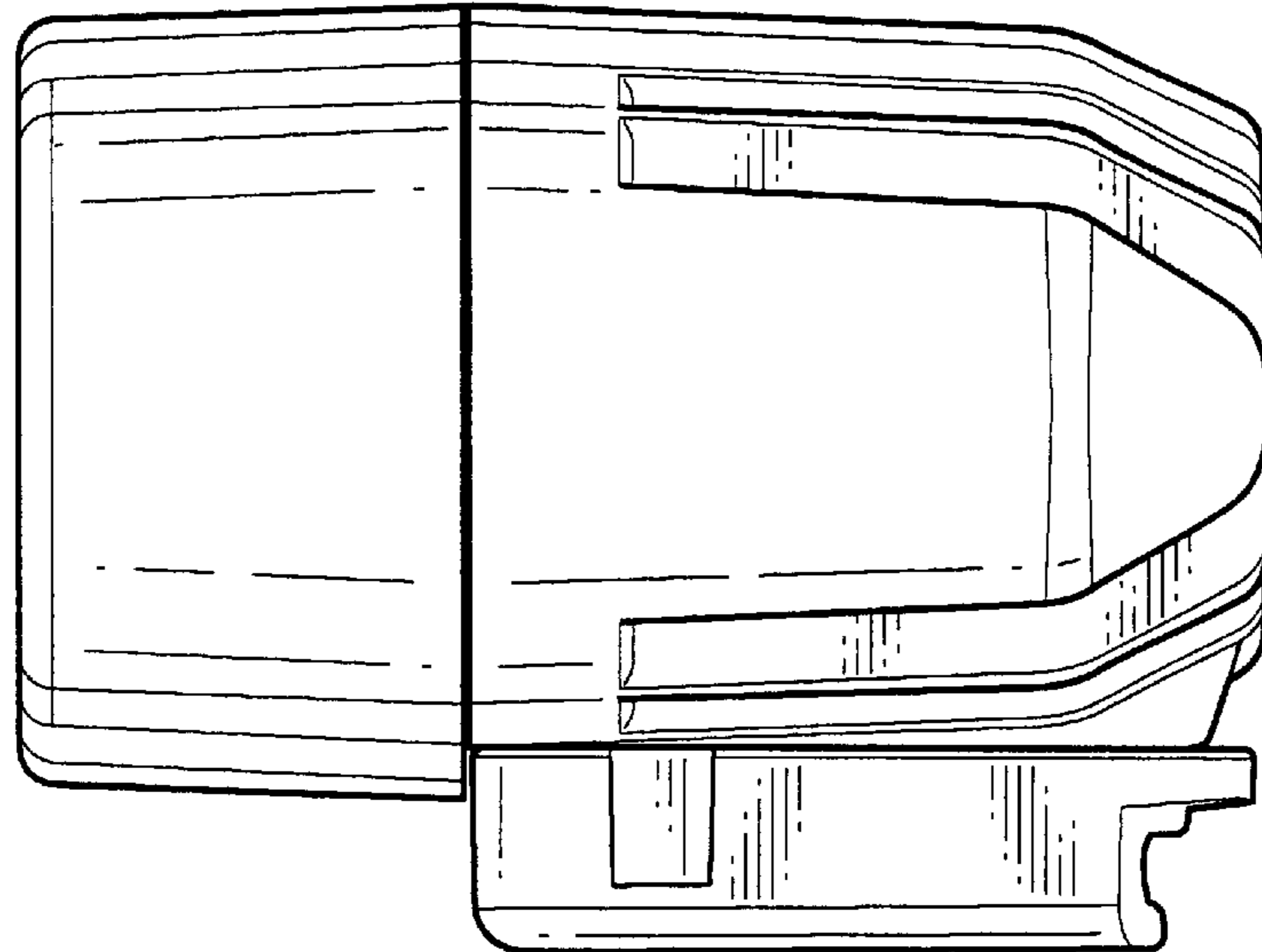


FIG. 7

