



US00D529182S

(12) **United States Design Patent**  
**Loyd**

(10) **Patent No.:** **US D529,182 S**  
(45) **Date of Patent:** **\*\* Sep. 26, 2006**

- (54) **SPA**
- (76) Inventor: **Casey Loyd**, 1462 E. 9th St., Pomona, CA (US) 91766
- (\*\*) Term: **14 Years**
- (21) Appl. No.: **29/223,806**
- (22) Filed: **Feb. 16, 2005**
- (51) **LOC (8) Cl.** ..... **24-04**
- (52) **U.S. Cl.** ..... **D24/204**
- (58) **Field of Classification Search** ..... D24/201, D24/204, 205; D23/277; 601/154-158; 4/541.1-541.6, 4/547, 578.1, 579  
See application file for complete search history.

(56) **References Cited**

**U.S. PATENT DOCUMENTS**

D267,043 S	*	11/1982	Kingsley et al.	.....	D24/204
D436,178 S	*	1/2001	Larsen et al.	.....	D24/204
D446,309 S	*	8/2001	Bower	.....	D24/204
D446,310 S	*	8/2001	Bower	.....	D24/204
D511,837 S	*	11/2005	Loyd	.....	D24/204
D513,325 S	*	12/2005	Loyd	.....	D24/204
D518,181 S	*	3/2006	Loyd	.....	D24/204

**OTHER PUBLICATIONS**

- Catalogue page for Nautilus Spa (date 2000).
- Catalogue pages for Nautilus Spa (date 2000).
- Catalogue pages for Sojourn HP Spa (date 2001).

Catalogue pages for Hamilton Spa (date 2001).

\* cited by examiner

*Primary Examiner*—Ian Simmons  
*Assistant Examiner*—Melanie Levy  
(74) *Attorney, Agent, or Firm*—Denton L. Anderson; Sheldon & Mak PC

(57) **CLAIM**

The ornamental design for a spa, as shown and described.

**DESCRIPTION**

FIG. 1 is a front perspective view of the spa of the invention; FIG. 2 is a left side perspective view of the spa illustrated in FIG. 1;

FIG. 3 is a top plan view of the spa illustrated in FIG. 1;

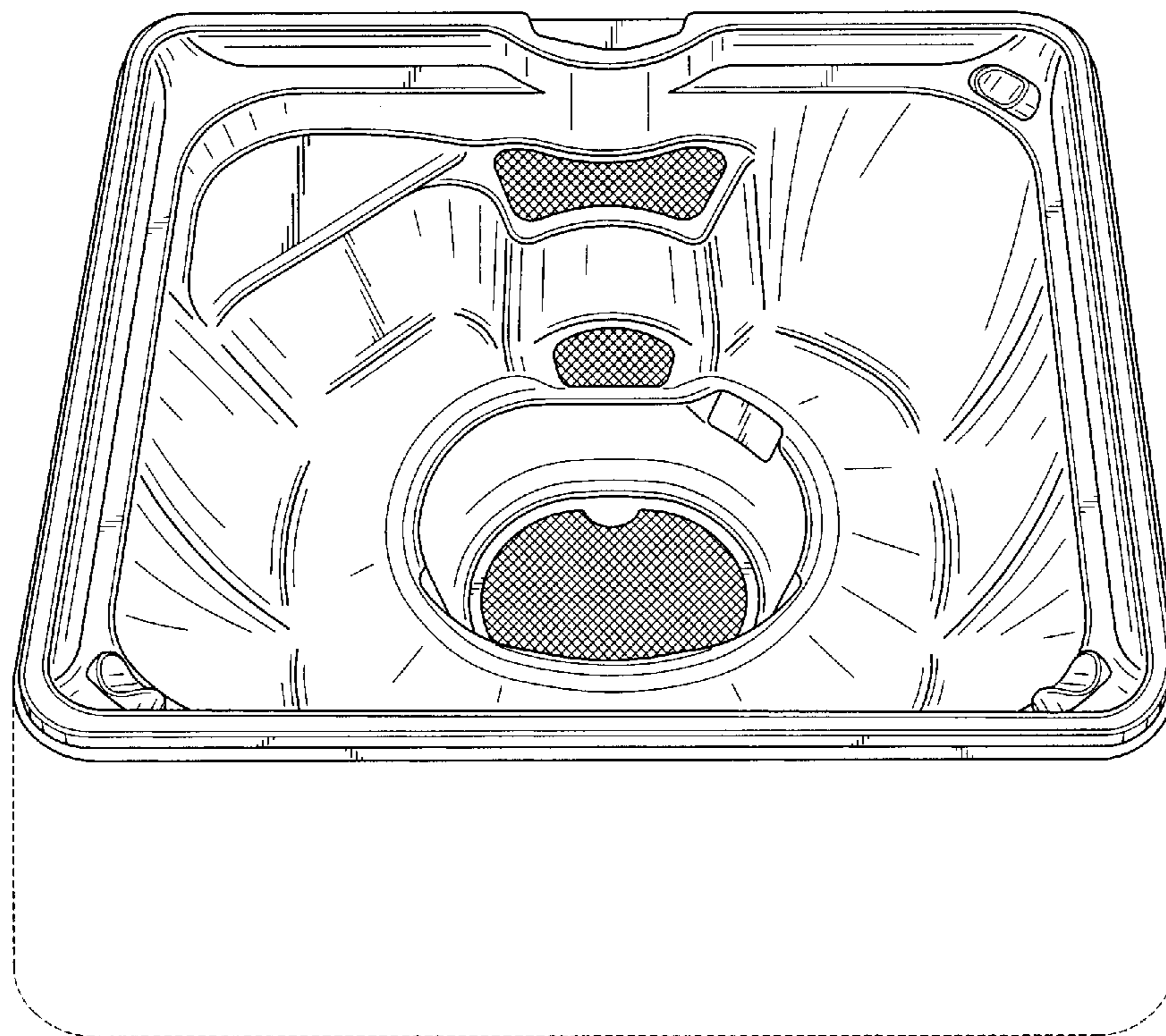
FIG. 4 is a front elevation view of the spa illustrated in FIG. 1;

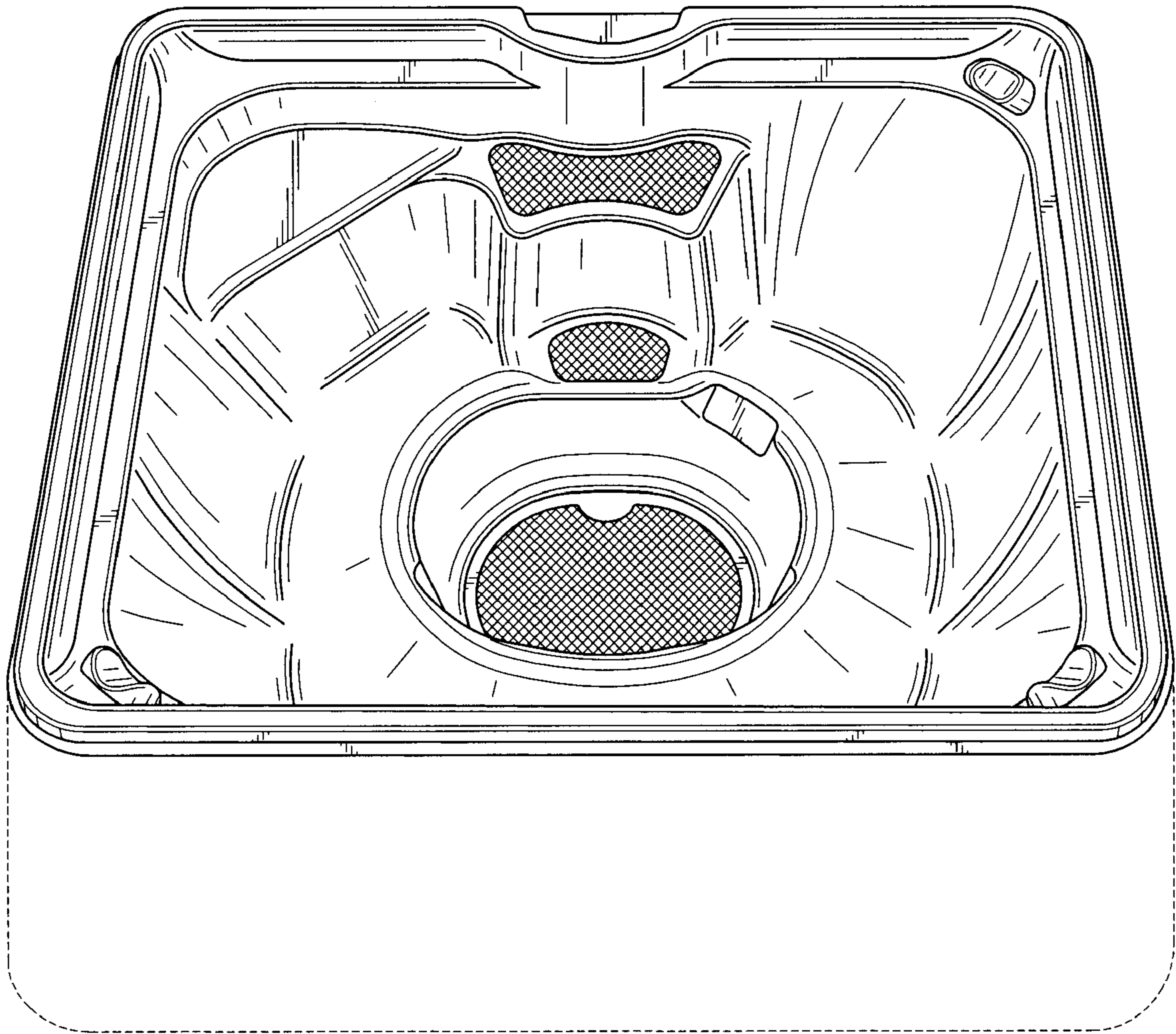
FIG. 5 is a left and right elevation view of the spa illustrated in FIG. 1; and,

FIG. 6 is a rear elevation view of the spa illustrated in FIG. 1.

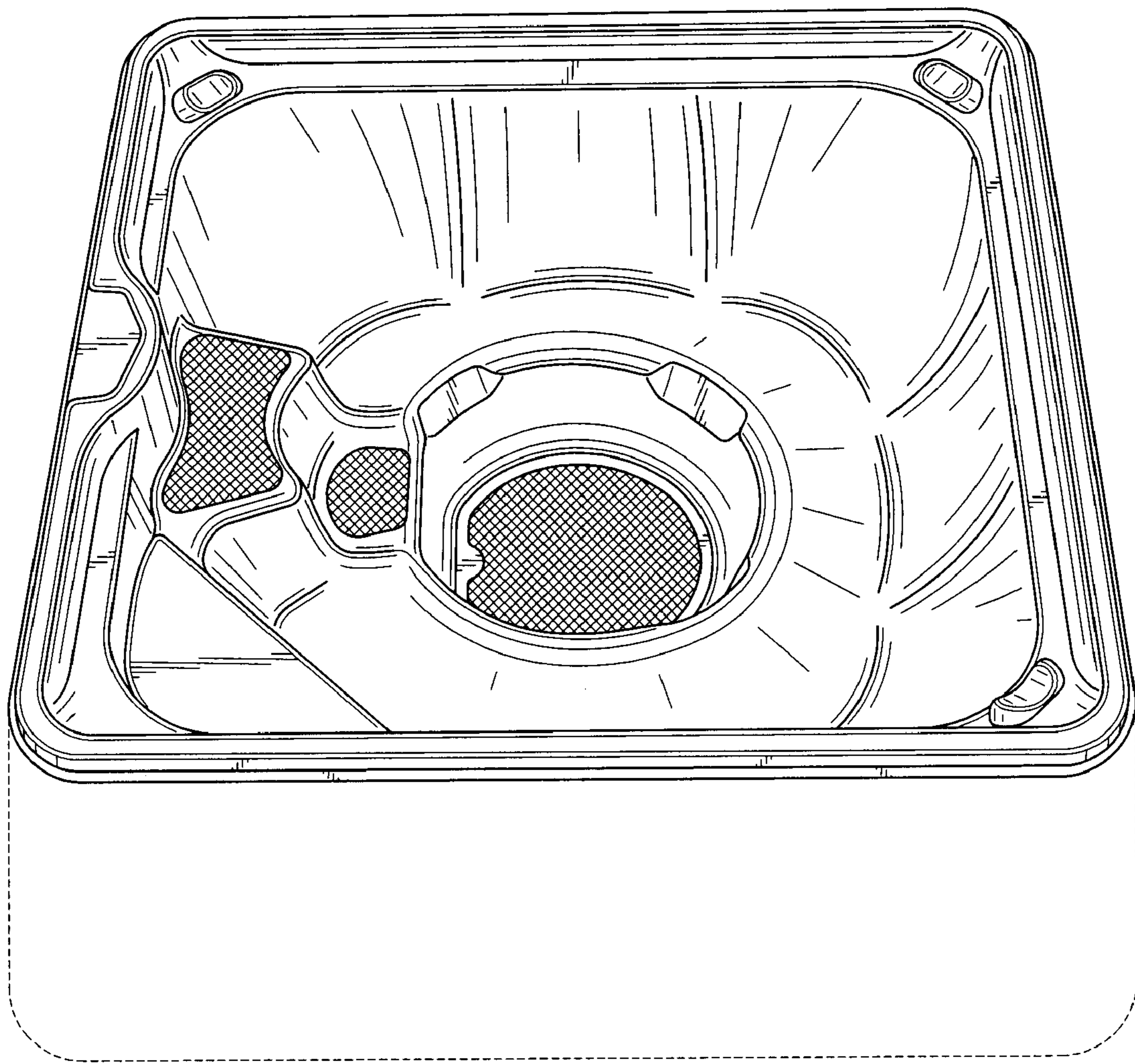
The broken lines are for illustrative purposes only and form no part of the claimed design.

**1 Claim, 4 Drawing Sheets**

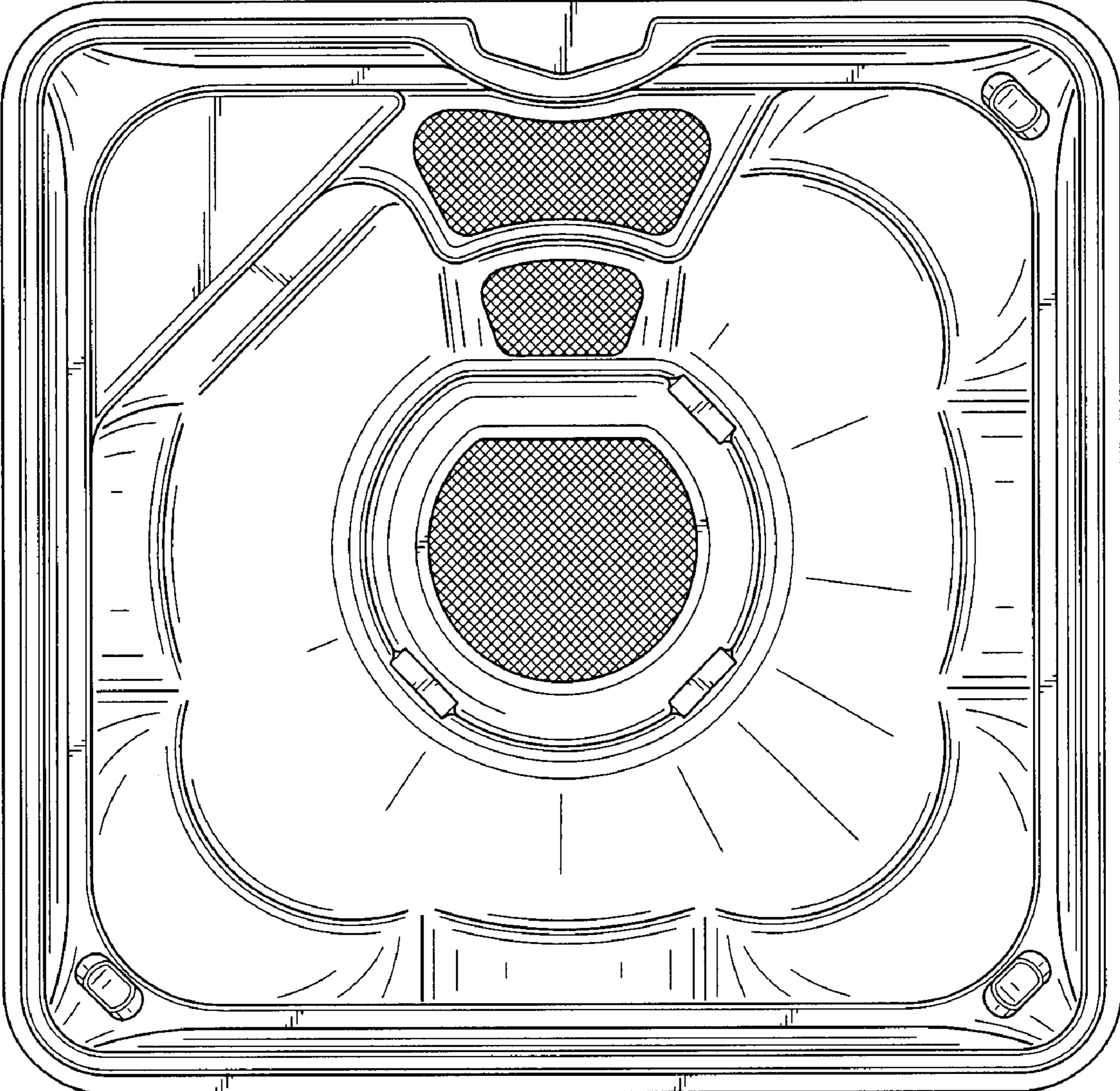




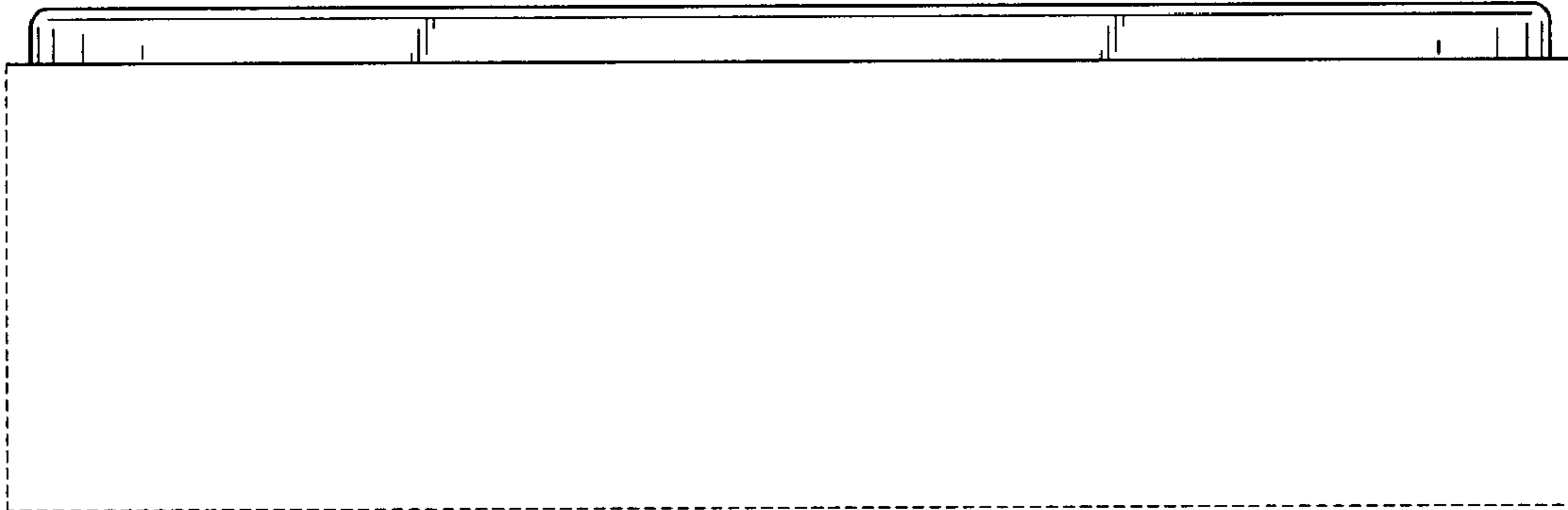
*FIG. 1*



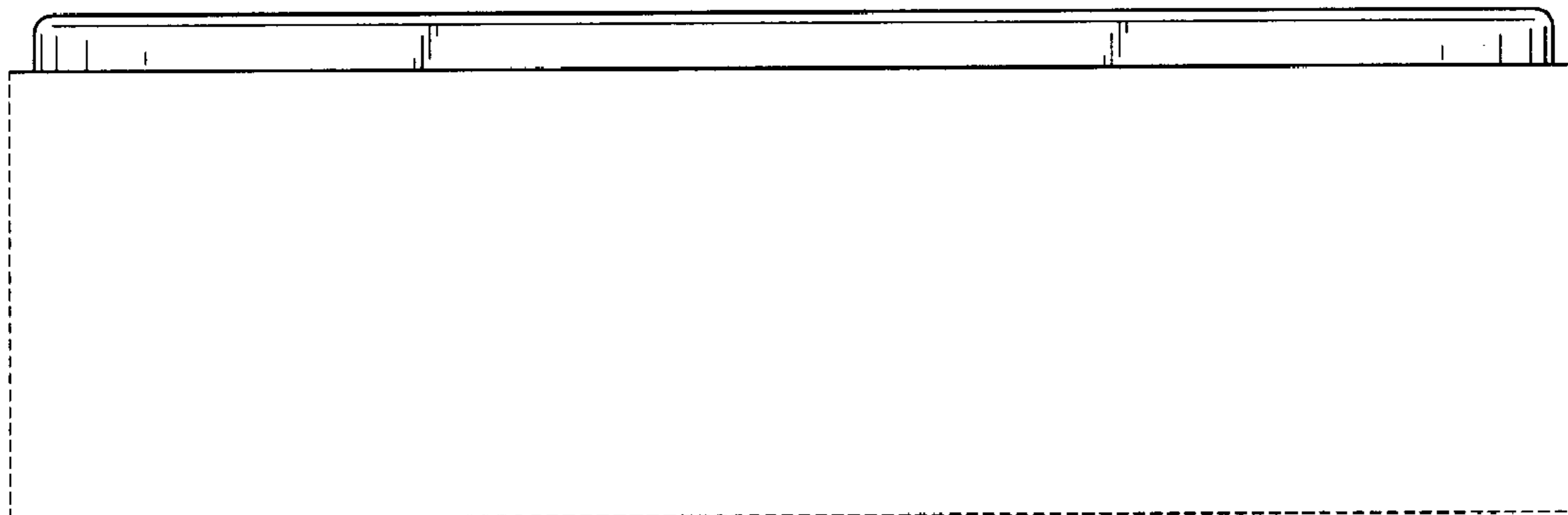
*FIG. 2*



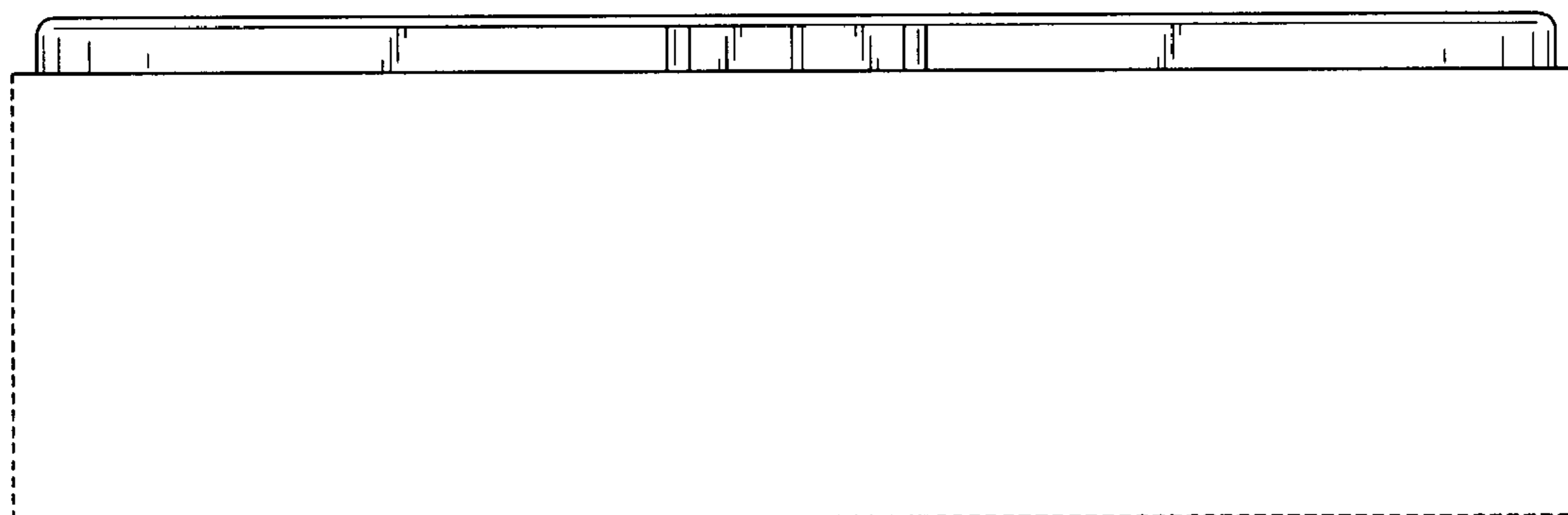
*FIG. 3*



*FIG. 4*



*FIG. 5*



*FIG. 6*