

US00D529178S

(12) **United States Design Patent** (10) **Patent No.:** **US D529,178 S**  
**Huffman** (45) **Date of Patent:** **\*\* Sep. 26, 2006**

(54) **OPPOSING DENTAL MODEL BASE**  
 (75) Inventor: **Ronald E. Huffman**, P.O. Box 68440,  
 Oro Valley, AZ (US) 85737  
 (73) Assignee: **Ronald E. Huffman**, Oro Valley, AZ  
 (US)  
 (\*\*) Term: **14 Years**  
 (21) Appl. No.: **29/231,950**  
 (22) Filed: **Jun. 10, 2005**  
 (51) **LOC (8) Cl.** ..... **24-03**  
 (52) **U.S. Cl.** ..... **D24/176**  
 (58) **Field of Classification Search** ..... D24/156,  
 D24/152, 155, 176, 180, 181, 197; 249/124;  
 433/34, 54, 60, 61, 64, 74, 213  
 See application file for complete search history.

DE	3 505 680 A1	7/1985
DE	3 521 137 A1	12/1986
DE	3 825 014 A1	1/1990
DE	295 06 480 U1	8/1995
DE	296 13 916 U1	1/1998
DE	4 01 05 710.0	10/2001
EP	0 210 484 A2	2/1985
EP	0 151 086 A2	8/1985
EP	0 277 026 A2	8/1988
EP	0 291 821 A1	11/1988
EP	0 528 335 A1	2/1993
FR	2 750 851 A1	1/1998
FR	2 770 994	5/1999
FR	653652T0653664	2/2002
GB	866118	4/1961
GB	886118	1/1962
GB	2102229 A	1/1983
GB	2105427	3/1983
JP	1175348	4/2003
JP	1178837	5/2003
WO	WO 88/10101	12/1988
WO	WO 97/16130	5/1997
WO	WO 01/01881 A2	1/2001

(56) **References Cited**

U.S. PATENT DOCUMENTS

921,791 A	5/1909	Benson	
967,086 A	8/1910	Tuttle	
1,013,028 A	12/1911	Lee	
1,745,570 A	2/1930	Dimelow	
1,772,027 A	8/1930	Baumgarten	
1,780,117 A	10/1930	Craig	
2,031,996 A	2/1936	Zelesnick	
2,398,671 A	4/1946	Saffir	
2,585,857 A	2/1952	Schwartz	
2,827,899 A *	3/1958	Altieri	D24/176
2,842,845 A	7/1958	Carlson	
3,236,235 A *	2/1966	Jacobs	D24/176
3,247,844 A *	4/1966	Berghash	D24/176
D210,278 S *	2/1968	White	D24/181
3,453,736 A	7/1969	Waltke	
3,478,428 A	11/1969	Stengel	
3,510,947 A	5/1970	Tuccillo	
3,518,761 A	7/1970	Susman et al.	
3,581,398 A	6/1971	Thomas	

(Continued)

FOREIGN PATENT DOCUMENTS

DE	3 436 094 A1	3/1985
----	--------------	--------

Primary Examiner—Charles A. Rademaker

(74) Attorney, Agent, or Firm—Merchant & Gould PC

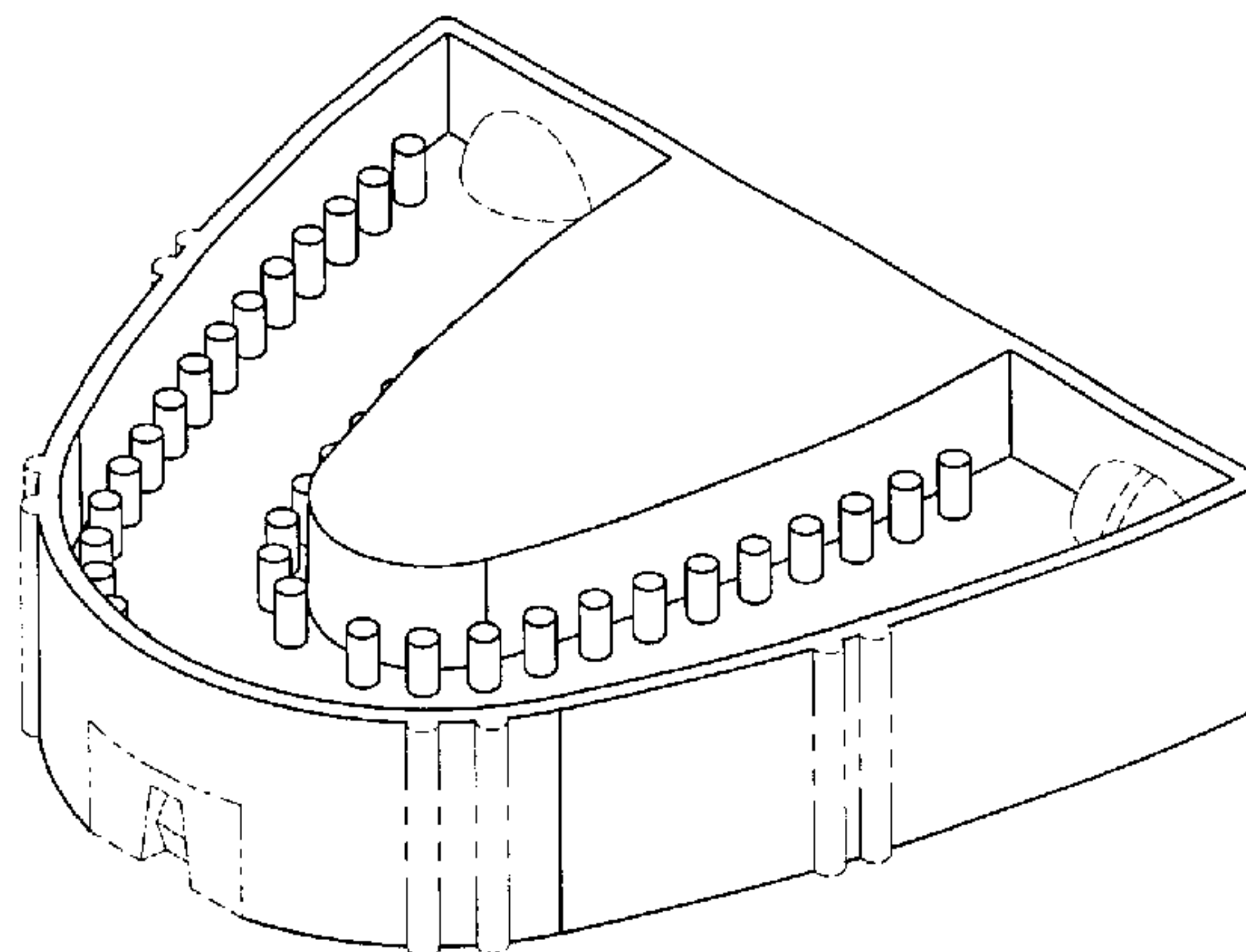
(57) **CLAIM**

The ornamental design for opposing dental model base, as shown and described.

**DESCRIPTION**

FIG. 1 is a front perspective view of an opposing dental model base showing my new design;  
 FIG. 2 is a rear top perspective view thereof.  
 FIG. 3 is a front bottom perspective view thereof.  
 FIG. 4 is a rear bottom perspective view thereof.  
 FIG. 5 is a top view thereof.  
 FIG. 6 is a bottom view thereof.  
 FIG. 7 is a front view thereof.  
 FIG. 8 is a rear view thereof; and,  
 FIG. 9 is a right side view thereof, the left side view being a mirror image of the right side view.  
 The broken line showing of environment in the figure drawings is for illustrative purposes only and forms no part of the claimed design.

**1 Claim, 4 Drawing Sheets**



# US D529,178 S

U.S. PATENT DOCUMENTS					
3,934,348 A	1/1976	Janjic	4,980,124 A	12/1990	Dimmer
3,937,773 A	2/1976	Huffman	5,028,235 A	7/1991	Smith
3,969,820 A	7/1976	Kulig et al.	5,049,075 A	9/1991	Barrut
4,021,916 A	5/1977	Spalten	5,076,789 A	12/1991	Tanaka
4,022,419 A	5/1977	Haker	5,098,290 A	3/1992	Honstein et al.
4,116,416 A	9/1978	Segura	5,100,317 A	3/1992	Darnand
4,122,606 A	10/1978	Roman	5,197,874 A	3/1993	Silva et al.
4,127,939 A	12/1978	Samuel et al.	5,207,574 A	5/1993	Garland
4,203,219 A	5/1980	Wiener	5,352,117 A	10/1994	Silva
D257,387 S	* 10/1980	Skarky ..... D24/181	5,393,227 A	2/1995	Nooning
4,240,605 A	12/1980	Waltke	5,403,185 A	4/1995	Presswood
4,242,812 A	1/1981	Randoll et al.	5,466,152 A	11/1995	Walter
4,265,619 A	5/1981	Lucki et al.	5,470,231 A	11/1995	Stern
4,283,173 A	8/1981	Browne et al.	5,501,600 A	3/1996	Johnson
4,301,357 A	11/1981	Huffman	5,622,497 A	4/1997	Cho
4,319,875 A	3/1982	Beckwith	5,766,007 A	6/1998	Huffman
4,359,464 A	11/1982	Weinstock	5,769,634 A	6/1998	Choi
4,371,339 A	2/1983	Zeiser	5,775,899 A	7/1998	Huffman
4,378,929 A	4/1983	Huffman	5,788,489 A	8/1998	Huffman
4,382,787 A	5/1983	Huffman	5,788,490 A	8/1998	Huffman
4,398,884 A	8/1983	Huffman	5,800,166 A	9/1998	Huffman
4,439,151 A	3/1984	Whelan	5,807,099 A	9/1998	Johnson
4,443,192 A	4/1984	Blitz	5,868,569 A	2/1999	Huffman
4,449,930 A	5/1984	Huffman	5,934,901 A	8/1999	Huffman
4,449,931 A	5/1984	Saito	D429,815 S	8/2000	Huffman
4,459,110 A	7/1984	Jackson	D430,672 S	9/2000	Huffman
4,473,353 A	9/1984	Greggs	D433,136 S	10/2000	Huffman
4,481,162 A	11/1984	Huffman	D433,754 S	11/2000	Huffman
4,494,934 A	1/1985	Huffman	6,149,428 A	* 11/2000	Mogensen ..... 433/74
D278,274 S	* 4/1985	Levine ..... D24/181	6,193,511 B1	* 2/2001	Hudson ..... 433/54
4,521,188 A	6/1985	Metzler	D443,363 S	6/2001	Huffman
4,533,323 A	8/1985	Huffman	D444,559 S	7/2001	Huffman
4,538,987 A	9/1985	Weissman	D452,009 S	12/2001	Huffman
4,548,581 A	10/1985	Huffman	D452,010 S	12/2001	Huffman
D283,541 S	4/1986	Huffman	D452,319 S	12/2001	Huffman
D283,542 S	4/1986	Huffman	D452,320 S	12/2001	Huffman
D283,639 S	4/1986	Huffman	D452,321 S	12/2001	Huffman
D283,730 S	5/1986	Huffman	D452,322 S	12/2001	Huffman
4,608,016 A	8/1986	Zeiser	D452,566 S	12/2001	Huffman
D286,179 S	10/1986	Huffman	D452,567 S	12/2001	Huffman
D286,436 S	10/1986	Huffman	D452,568 S	12/2001	Huffman
4,645,454 A	2/1987	Amdur et al.	D456,902 S	5/2002	Huffman
D289,924 S	5/1987	Huffman	D456,903 S	5/2002	Huffman
4,671,770 A	6/1987	Bell et al.	D456,904 S	5/2002	Huffman
4,708,648 A	11/1987	Weissman	D457,243 S	5/2002	Huffman
4,708,835 A	11/1987	Kiefer	D457,636 S	5/2002	Huffman
4,721,464 A	1/1988	Roden et al.	D457,637 S	5/2002	Huffman
4,734,033 A	3/1988	Huffman	D457,963 S	5/2002	Huffman
4,767,330 A	8/1988	Burger	D457,964 S	5/2002	Huffman
4,767,331 A	8/1988	Hoe	6,425,759 B1	* 7/2002	Cronin ..... 433/34
4,786,253 A	11/1988	Morais	D464,431 S	10/2002	Huffman
4,834,651 A	5/1989	Fenick	D464,432 S	10/2002	Huffman
4,842,242 A	6/1989	Huffman	D464,732 S	10/2002	Huffman
D302,456 S	7/1989	Huffman	D464,733 S	10/2002	Huffman
D302,587 S	8/1989	Huffman	D465,027 S	10/2002	Huffman
D302,724 S	8/1989	Huffman	6,471,513 B1	10/2002	Huffman
D302,725 S	8/1989	Huffman	D468,018 S	12/2002	Huffman
RE33,099 E	10/1989	Shoher et al.	D468,431 S	1/2003	Huffman
D305,361 S	1/1990	Huffman	D468,432 S	1/2003	Huffman
D305,362 S	1/1990	Huffman	D469,537 S	1/2003	Huffman
D306,206 S	2/1990	Huffman	6,511,318 B1	* 1/2003	Kim ..... 433/74
4,898,359 A	2/1990	Gopon	D481,797 S	11/2003	Huffman
4,917,347 A	4/1990	Fenick	6,726,477 B1	* 4/2004	Gittleman ..... 433/34
RE33,271 E	7/1990	Shoher et al.	6,884,068 B1	* 4/2005	Huffman ..... 433/60
4,940,409 A	7/1990	Nordin	D512,148 S	* 11/2005	Kwok ..... D24/181

\* cited by examiner



FIG. 1

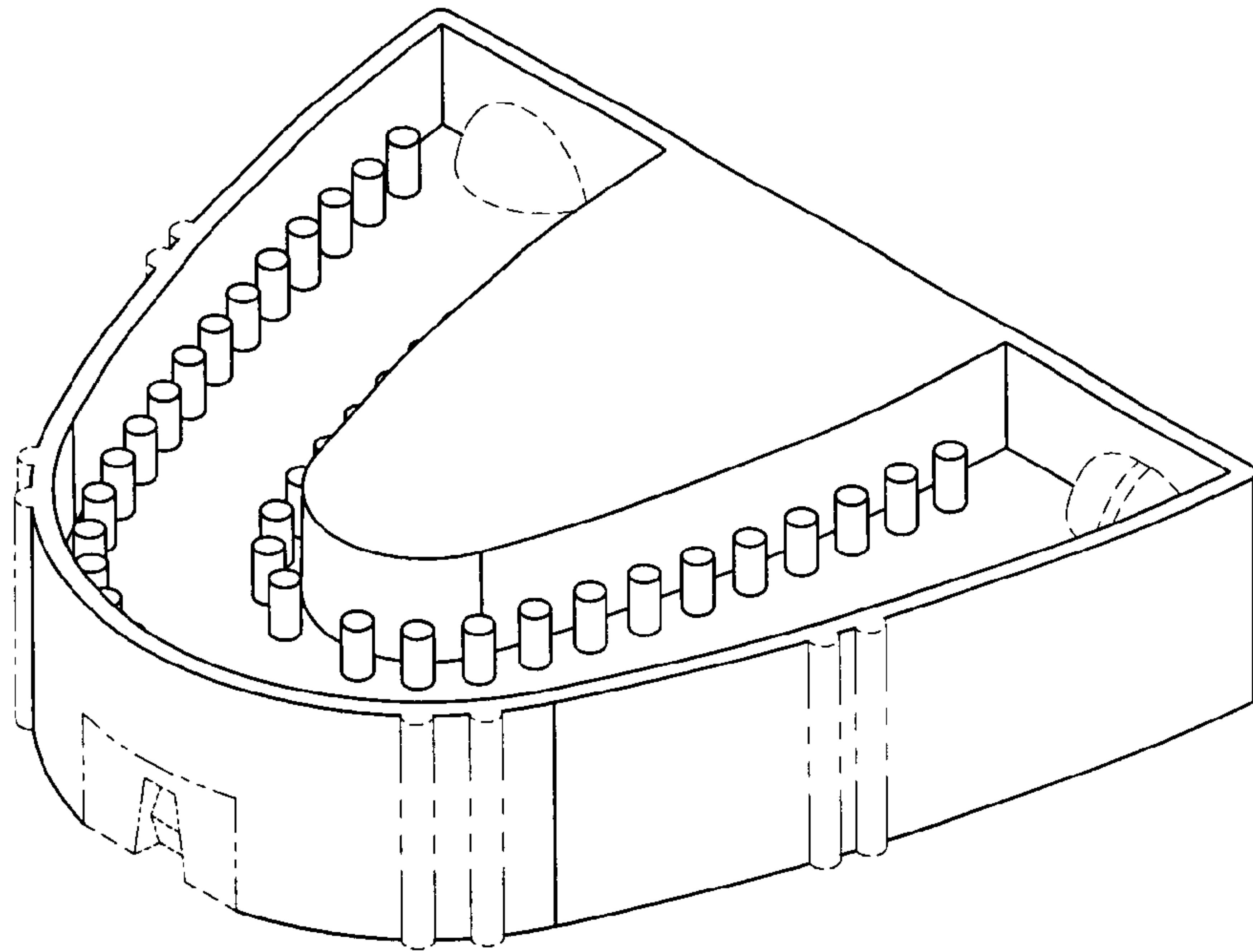


FIG. 2

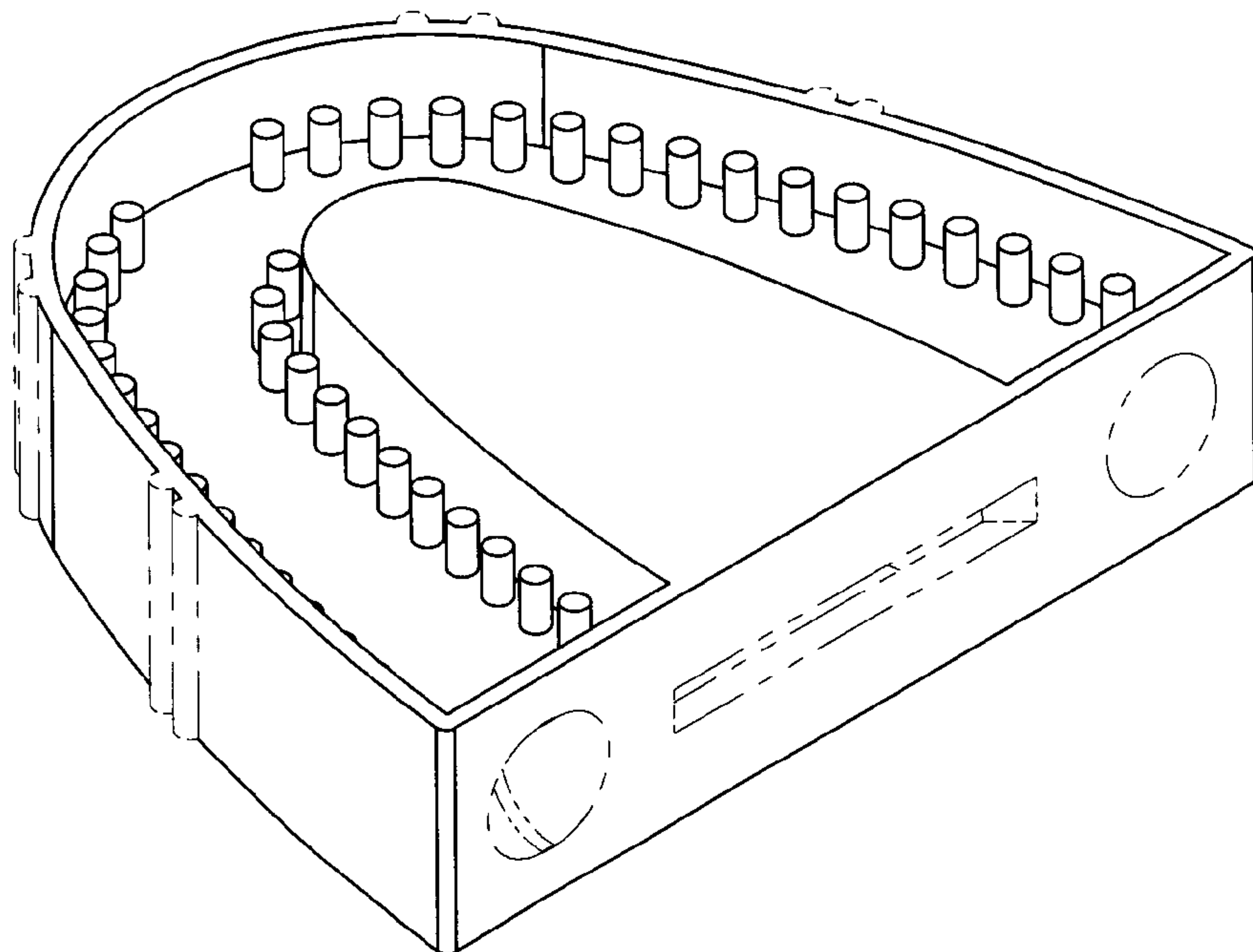


FIG. 3

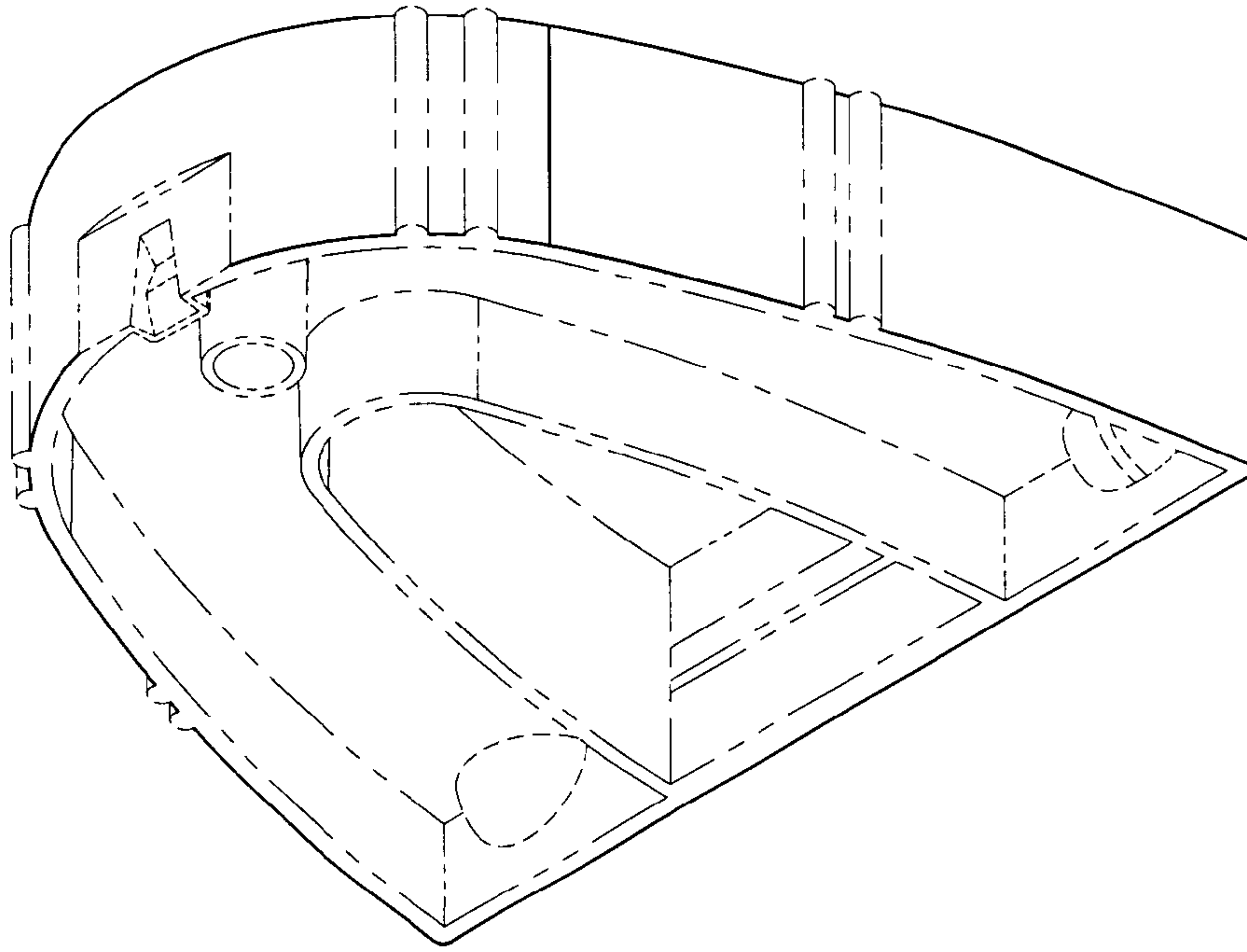


FIG. 4

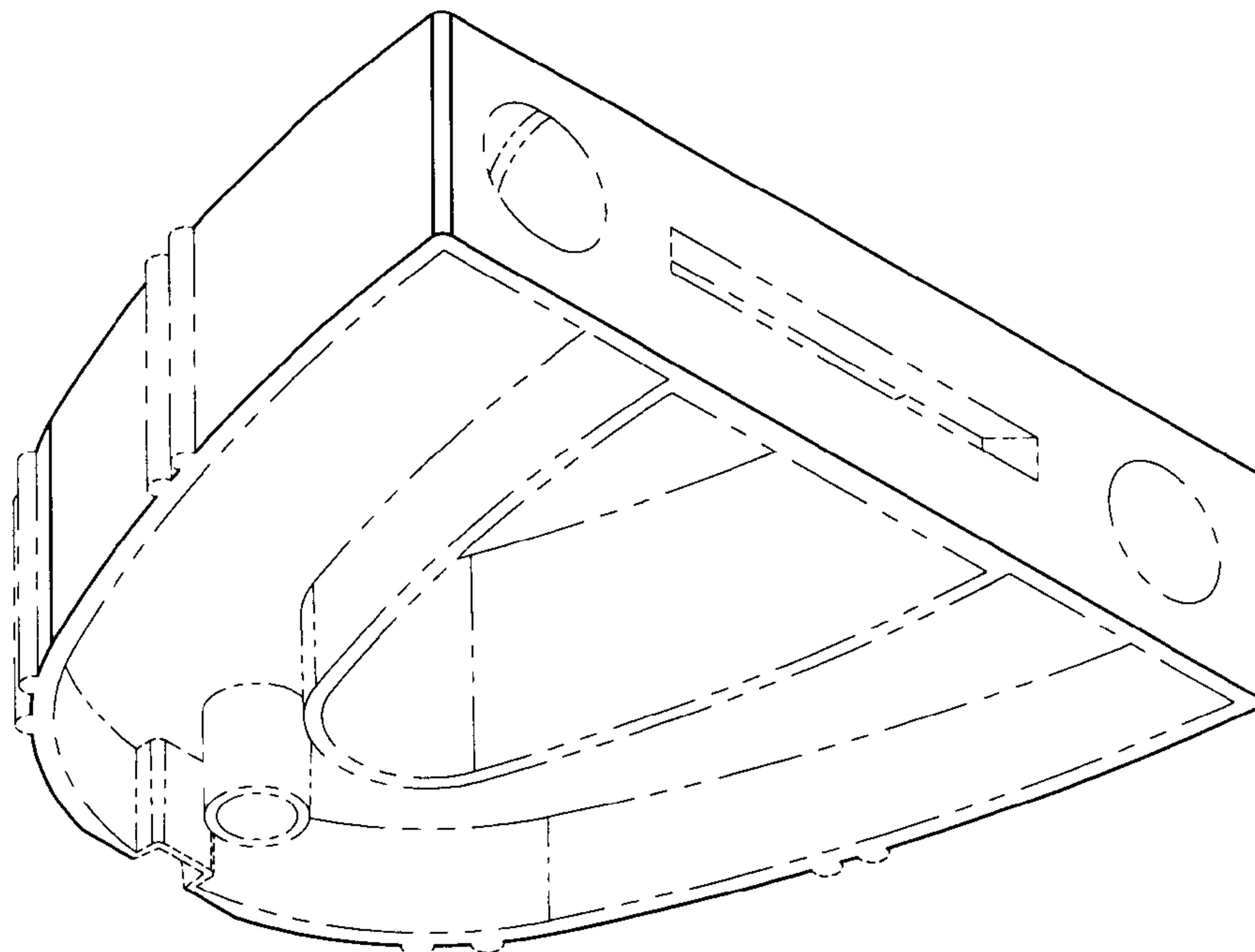


FIG. 6

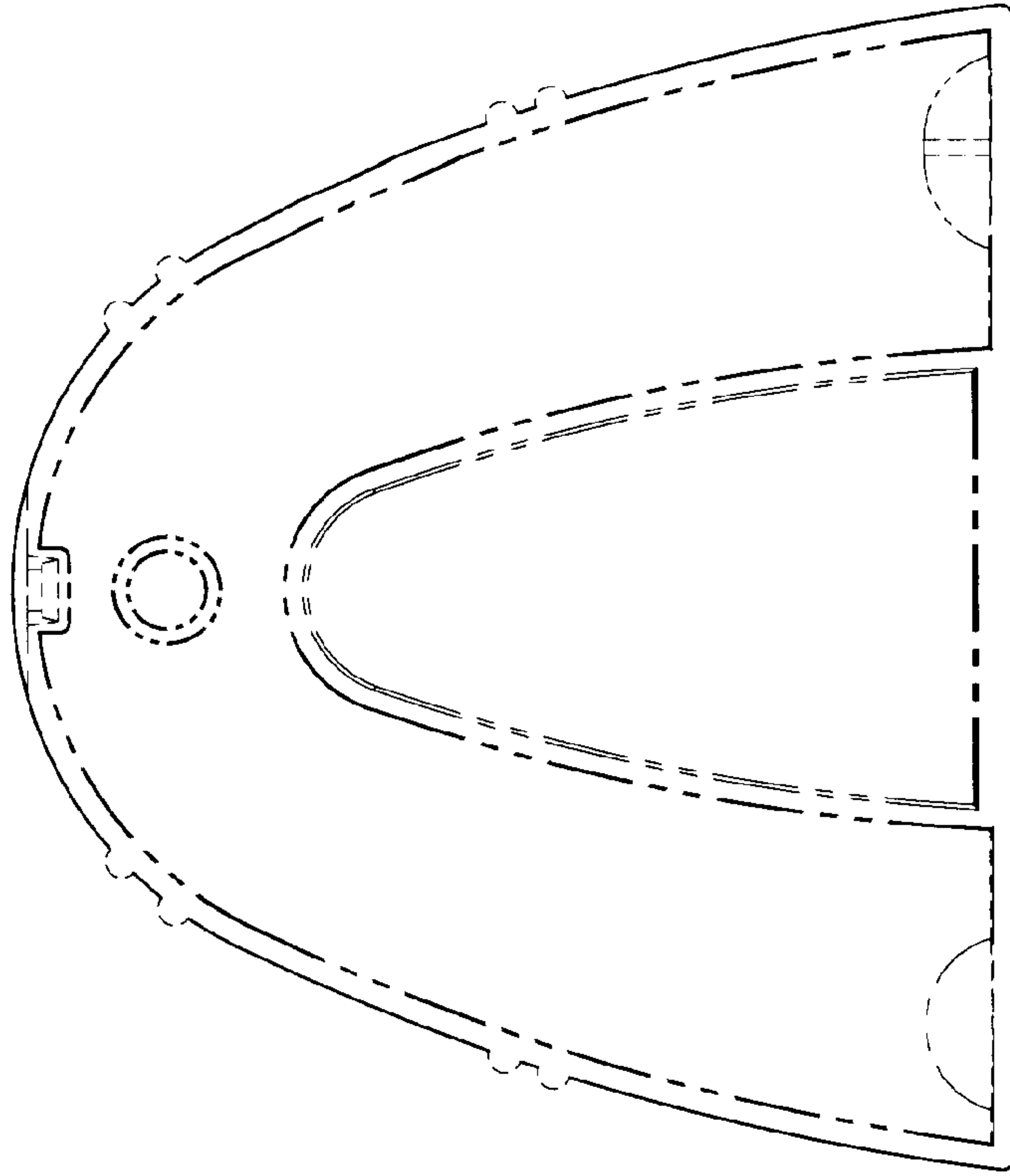


FIG. 5

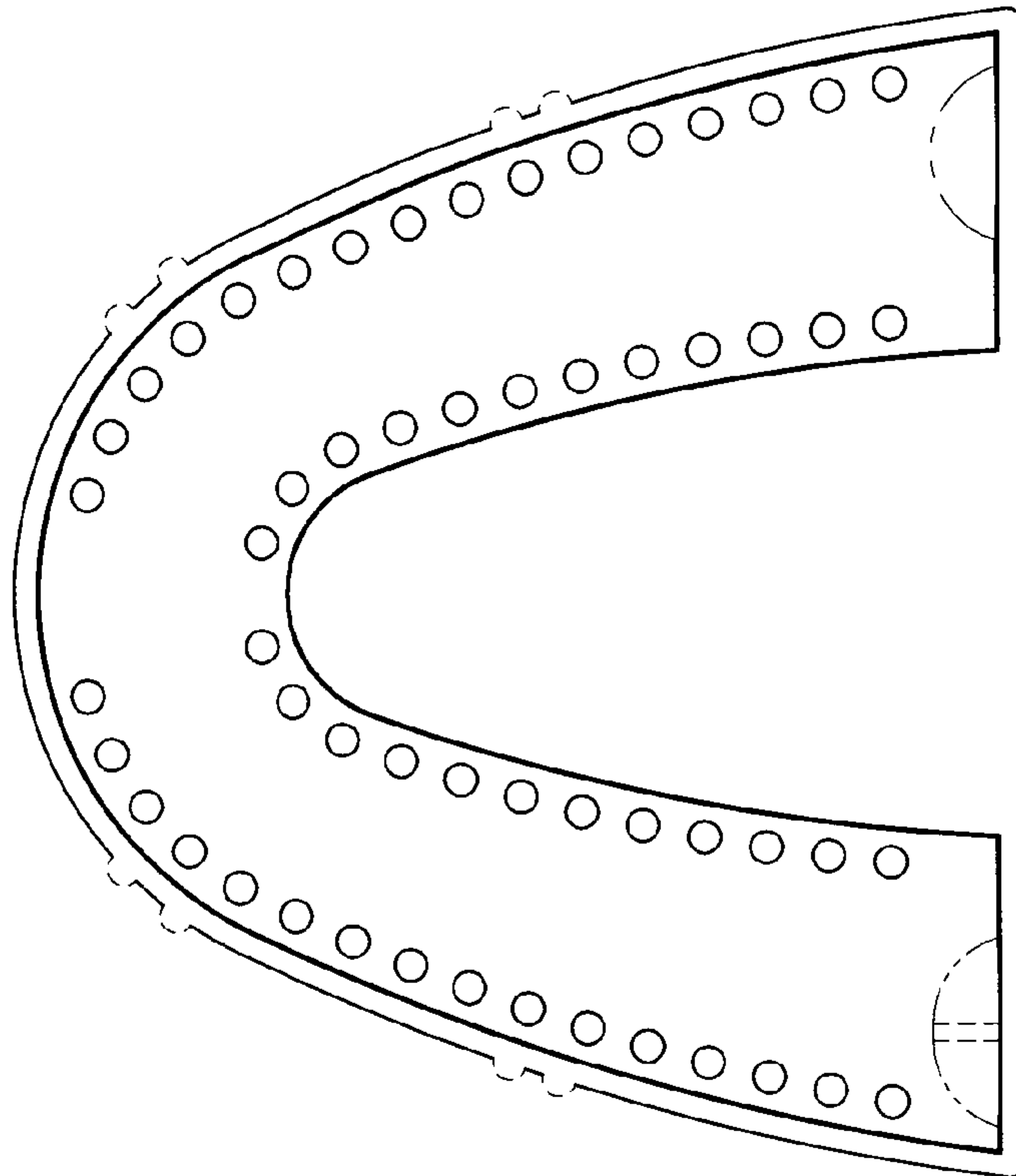


FIG. 7

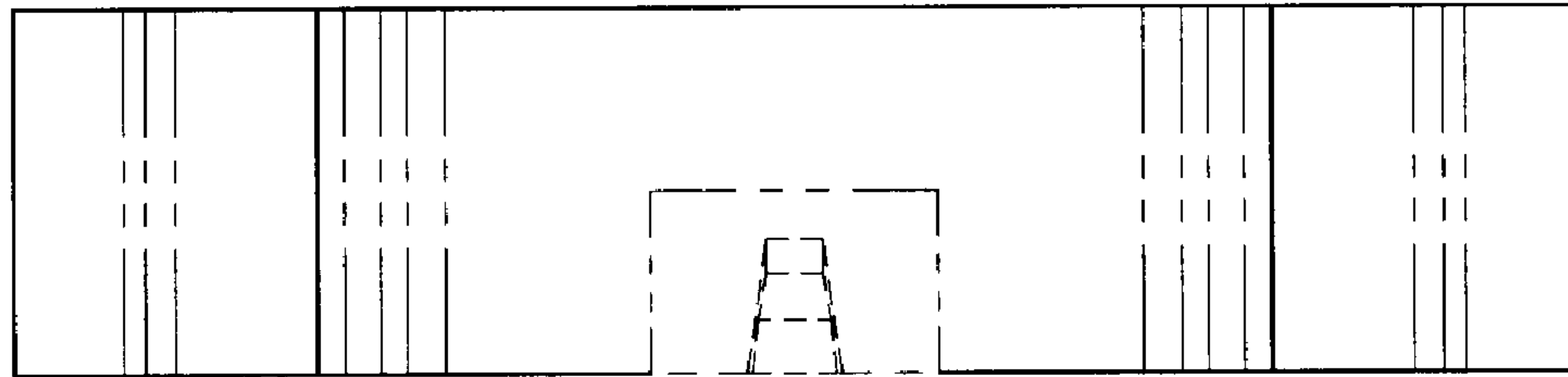


FIG. 8

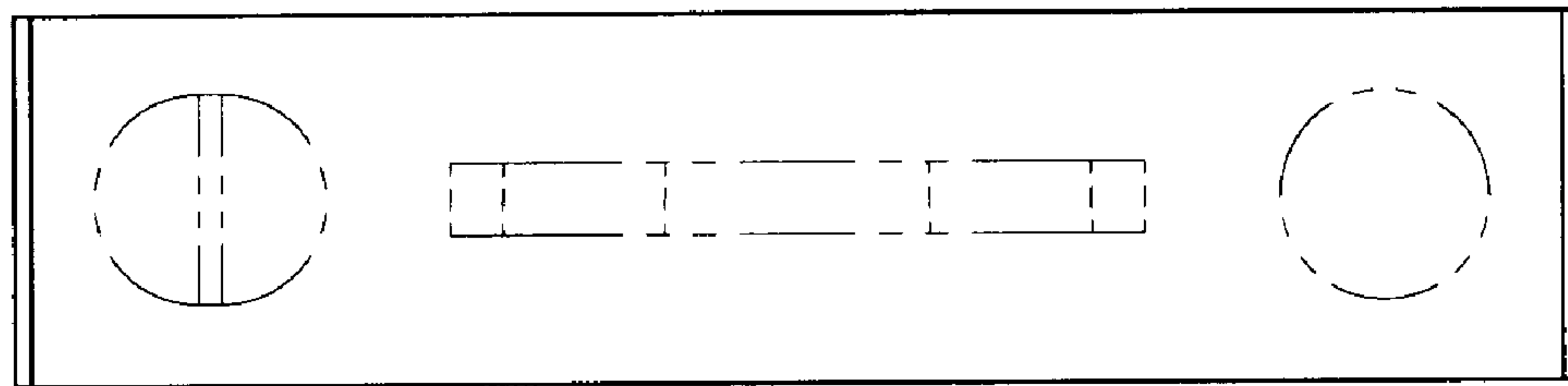


FIG. 9

