



US00D529177S

(12) **United States Design Patent**
Huffman

(10) **Patent No.:** **US D529,177 S**

(45) **Date of Patent:** **** Sep. 26, 2006**

(54) **DENTAL MODEL BASE WITH A PLURALITY OF INDEXING PINS**

(75) Inventor: **Ronald E. Huffman**, P.O. Box 68440, Oro Valley, AZ (US) 85737

(73) Assignee: **Ronald E. Huffman**, Oro Valley, AZ (US)

(**) Term: **14 Years**

(21) Appl. No.: **29/216,697**

(22) Filed: **Nov. 5, 2004**

(51) **LOC (8) Cl.** **24-03**

(52) **U.S. Cl.** **D24/176**

(58) **Field of Classification Search** D24/156, D24/152, 155, 176, 180, 181, 197; 249/124; 433/34, 54, 60, 61, 64, 74, 213

See application file for complete search history.

| | | |
|----|----------------|---------|
| DE | 3 505 680 A1 | 7/1985 |
| DE | 3 521 137 A1 | 12/1986 |
| DE | 3 825 014 A1 | 1/1990 |
| DE | 295 06 480 U1 | 8/1995 |
| DE | 296 13 916 U1 | 1/1998 |
| DE | 4 01 05 710.0 | 10/2001 |
| EP | 0 210 484 A2 | 2/1985 |
| EP | 0 151 086 A2 | 8/1985 |
| EP | 0 277 026 A2 | 8/1988 |
| EP | 0 291 821 A1 | 11/1988 |
| EP | 0 528 335 A1 | 2/1993 |
| FR | 2 750 851 A1 | 1/1998 |
| FR | 2 770 994 | 5/1999 |
| FR | 653652TO653664 | 2/2002 |
| GB | 866118 | 4/1961 |
| GB | 886118 | 1/1962 |
| GB | 2101229 A | 1/1983 |
| GB | 2105427 | 3/1983 |
| JP | 1175348 | 4/2003 |
| JP | 1178837 | 5/2003 |
| WO | WO 88/10101 | 12/1988 |
| WO | WO 97/16130 | 5/1997 |
| WO | WO 01/01881 A2 | 1/2001 |

(56) **References Cited**

U.S. PATENT DOCUMENTS

| | | | |
|---------------|---------|---------------|---------|
| 921,791 A | 5/1909 | Benson | |
| 967,086 A | 8/1910 | Tuttle | |
| 1,013,028 A | 12/1911 | Lee | |
| 1,745,570 A | 2/1930 | Dimelow | |
| 1,772,027 A | 8/1930 | Baumgarten | |
| 1,780,117 A | 10/1930 | Craigo | |
| 2,031,996 A | 2/1936 | Zelesnick | |
| 2,398,671 A | 4/1946 | Saffir | |
| 2,585,857 A | 2/1952 | Schwartz | |
| 2,827,899 A * | 3/1958 | Altieri | D24/176 |
| 2,842,845 A | 7/1958 | Carlson | |
| D210,278 S * | 2/1968 | White | D24/181 |
| 3,416,527 A * | 12/1968 | Hoef | D24/176 |
| 3,453,736 A | 7/1969 | Waltke | |
| 3,478,428 A | 11/1969 | Stengel | |
| 3,510,947 A | 5/1970 | Tuccillo | |
| 3,518,761 A | 7/1970 | Susman et al. | |

(Continued)

FOREIGN PATENT DOCUMENTS

| | | |
|----|--------------|--------|
| DE | 3 436 094 A1 | 3/1985 |
|----|--------------|--------|

Primary Examiner—Charles A. Rademaker

(74) *Attorney, Agent, or Firm*—Merchant & Gould PC

(57) **CLAIM**

The ornamental design for a dental model base with a plurality of indexing pins, as shown and described.

DESCRIPTION

FIG. 1 is a front perspective view of a dental model base with a plurality of indexing pins showing my new design; FIG. 2 is a rear perspective view thereof.

FIG. 3 is a top view thereof.

FIG. 4 is a left side view thereof.

FIG. 5 is a right side view thereof.

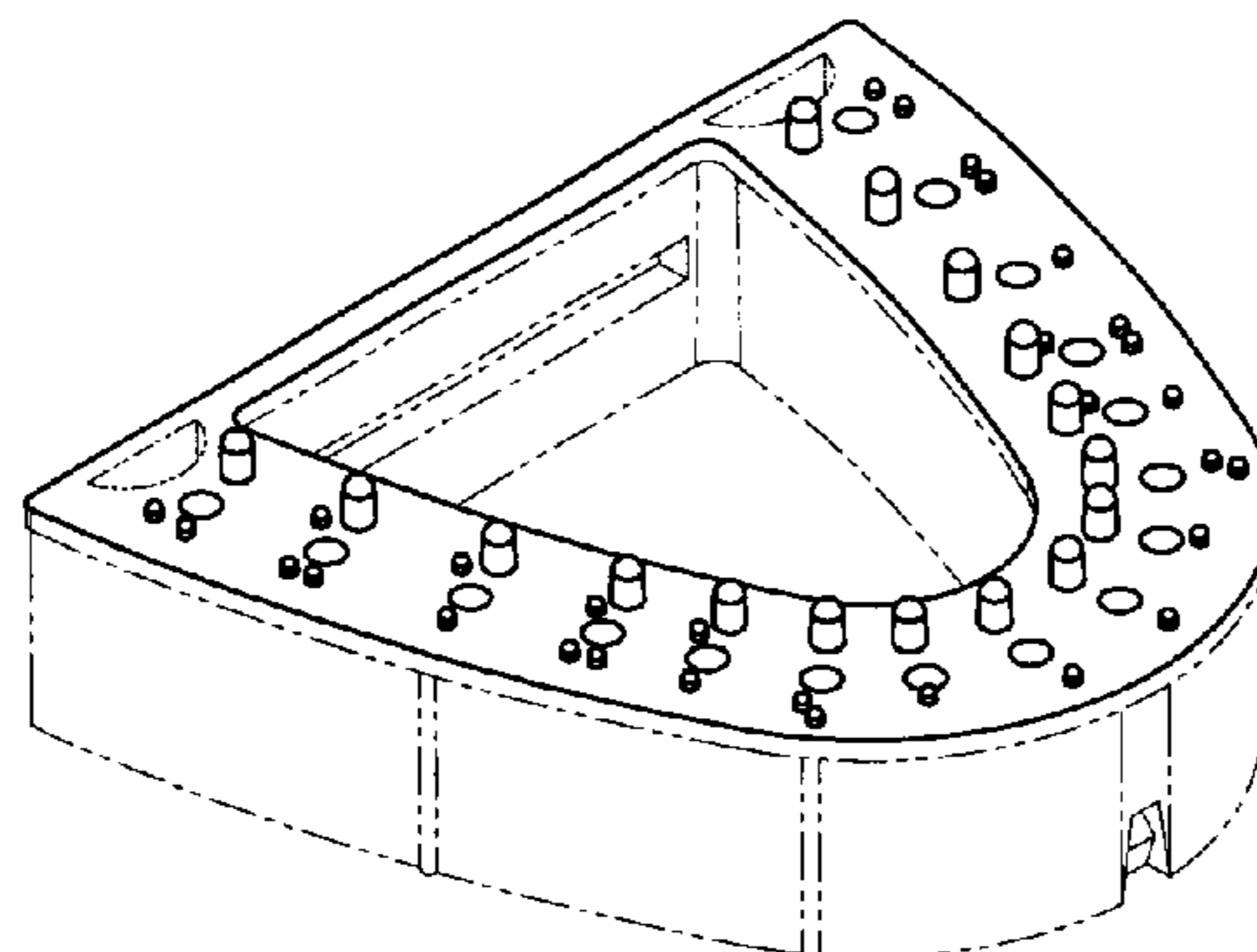
FIG. 6 is a rear view thereof.

FIG. 7 is a front view thereof; and,

FIG. 8 is a rear perspective view thereof.

The broken line showing of environment in the figure drawings is for illustrative purposes only and forms no part of the claimed design.

1 Claim, 5 Drawing Sheets



US D529,177 S

| U.S. PATENT DOCUMENTS | | | | | |
|-----------------------|-----------|----------------------|--------------|-----------|------------------------------|
| 3,581,398 A | 6/1971 | Thomas | 4,980,124 A | 12/1990 | Dimmer |
| 3,934,348 A | 1/1976 | Janjic | 5,028,235 A | 7/1991 | Smith |
| 3,937,773 A | 2/1976 | Huffman | 5,049,075 A | 9/1991 | Barrut |
| 3,969,820 A | 7/1976 | Kulig et al. | 5,076,789 A | 12/1991 | Tanaka |
| 4,021,916 A | 5/1977 | Spalten | 5,098,290 A | 3/1992 | Honstein et al. |
| 4,022,419 A | 5/1977 | Haker | 5,100,317 A | 3/1992 | Darnand |
| 4,116,416 A | 9/1978 | Segura | 5,197,874 A | 3/1993 | Silva et al. |
| 4,122,606 A | 10/1978 | Roman | 5,207,574 A | 5/1993 | Garland |
| 4,127,939 A | 12/1978 | Samuel et al. | 5,352,117 A | 10/1994 | Silva |
| 4,203,219 A | 5/1980 | Wiener | 5,393,227 A | 2/1995 | Nooning |
| D257,387 S | * 10/1980 | Skarky D24/181 | 5,403,185 A | 4/1995 | Presswood |
| 4,240,605 A | 12/1980 | Waltke | 5,466,152 A | 11/1995 | Walter |
| 4,242,812 A | 1/1981 | Randoll et al. | 5,470,231 A | 11/1995 | Stern |
| 4,265,619 A | 5/1981 | Lucki et al. | 5,501,600 A | 3/1996 | Johnson |
| 4,283,173 A | 8/1981 | Browne et al. | 5,622,497 A | 4/1997 | Cho |
| 4,301,357 A | 11/1981 | Huffman | 5,766,007 A | 6/1998 | Huffman |
| 4,319,875 A | 3/1982 | Beckwith | 5,769,634 A | 6/1998 | Choi |
| 4,359,464 A | 11/1982 | Weinstock | 5,775,899 A | 7/1998 | Huffman |
| 4,371,339 A | 2/1983 | Zeiser | 5,788,489 A | 8/1998 | Huffman |
| 4,378,929 A | 4/1983 | Huffman | 5,788,490 A | 8/1998 | Huffman |
| 4,382,787 A | 5/1983 | Huffman | 5,800,166 A | 9/1998 | Huffman |
| 4,398,884 A | 8/1983 | Huffman | 5,807,099 A | 9/1998 | Johnson |
| 4,439,151 A | 3/1984 | Whelan | 5,868,569 A | 2/1999 | Huffman |
| 4,443,192 A | 4/1984 | Blitz | 5,934,901 A | 8/1999 | Huffman |
| 4,449,930 A | 5/1984 | Huffman | D429,815 S | 8/2000 | Huffman |
| 4,449,931 A | 5/1984 | Saito | D430,672 S | 9/2000 | Huffman |
| 4,459,110 A | 7/1984 | Jackson | D433,136 S | 10/2000 | Huffman |
| 4,473,353 A | 9/1984 | Greggs | D433,754 S | 11/2000 | Huffman |
| 4,481,162 A | 11/1984 | Huffman | 6,149,428 A | * 11/2000 | Mogensen 433/74 |
| 4,494,934 A | 1/1985 | Huffman | 6,193,511 B1 | * 2/2001 | Hudson 433/54 |
| D278,274 S | * 4/1985 | Levine D24/181 | D443,363 S | 6/2001 | Huffman |
| 4,521,188 A | 6/1985 | Metzler | D444,559 S | 7/2001 | Huffman |
| 4,533,323 A | 8/1985 | Huffman | D452,009 S | 12/2001 | Huffman |
| 4,538,987 A | 9/1985 | Weissman | D452,010 S | 12/2001 | Huffman |
| 4,548,581 A | 10/1985 | Huffman | D452,319 S | 12/2001 | Huffman |
| D283,541 S | 4/1986 | Huffman | D452,320 S | 12/2001 | Huffman |
| D283,542 S | 4/1986 | Huffman | D452,321 S | 12/2001 | Huffman |
| D283,639 S | 4/1986 | Huffman | D452,322 S | 12/2001 | Huffman |
| D283,730 S | 5/1986 | Huffman | D452,566 S | 12/2001 | Huffman |
| 4,608,016 A | 8/1986 | Zeiser | D452,567 S | 12/2001 | Huffman |
| D286,179 S | 10/1986 | Huffman | D452,568 S | 12/2001 | Huffman |
| D286,436 S | 10/1986 | Huffman | D456,902 S | 5/2002 | Huffman |
| 4,645,454 A | 2/1987 | Amdur et al. | D456,903 S | 5/2002 | Huffman |
| D289,924 S | 5/1987 | Huffman | D456,904 S | 5/2002 | Huffman |
| 4,671,770 A | 6/1987 | Bell et al. | D457,243 S | 5/2002 | Huffman |
| 4,708,648 A | 11/1987 | Weissman | D457,636 S | 5/2002 | Huffman |
| 4,708,835 A | 11/1987 | Kiefer | D457,637 S | 5/2002 | Huffman |
| 4,721,464 A | 1/1988 | Roden et al. | D457,963 S | 5/2002 | Huffman |
| 4,734,033 A | 3/1988 | Huffman | D457,964 S | 5/2002 | Huffman |
| 4,767,330 A | 8/1988 | Burger | 6,425,759 B1 | * 7/2002 | Cronin 433/34 |
| 4,767,331 A | 8/1988 | Hoe | D464,431 S | 10/2002 | Huffman |
| 4,786,253 A | 11/1988 | Morais | D464,432 S | 10/2002 | Huffman |
| 4,834,651 A | 5/1989 | Fenick | D464,732 S | 10/2002 | Huffman |
| 4,842,242 A | 6/1989 | Huffman | D464,733 S | 10/2002 | Huffman |
| D302,456 S | 7/1989 | Huffman | D465,027 S | 10/2002 | Huffman |
| D302,587 S | 8/1989 | Huffman | 6,471,513 B1 | 10/2002 | Huffman |
| D302,724 S | 8/1989 | Huffman | D468,018 S | 12/2002 | Huffman |
| D302,725 S | 8/1989 | Huffman | D468,431 S | 1/2003 | Huffman |
| RE33,099 E | 10/1989 | Shoher et al. | D468,432 S | 1/2003 | Huffman |
| D305,361 S | 1/1990 | Huffman | D469,537 S | 1/2003 | Huffman |
| D305,362 S | 1/1990 | Huffman | 6,511,318 B1 | * 1/2003 | Kim 433/74 |
| D306,206 S | 2/1990 | Huffman | D481,797 S | 11/2003 | Huffman |
| 4,898,359 A | 2/1990 | Gopon | 6,726,477 B1 | * 4/2004 | Gittleman 433/34 |
| 4,917,347 A | 4/1990 | Fenick | 6,884,068 B1 | * 4/2005 | Huffman 433/60 |
| RE33,271 E | 7/1990 | Shoher et al. | 6,932,608 B1 | * 8/2005 | Gagliano et al. 433/213 |
| 4,940,409 A | 7/1990 | Nordin | D512,148 S | * 11/2005 | Kwok D24/181 |

* cited by examiner

FIG. 1

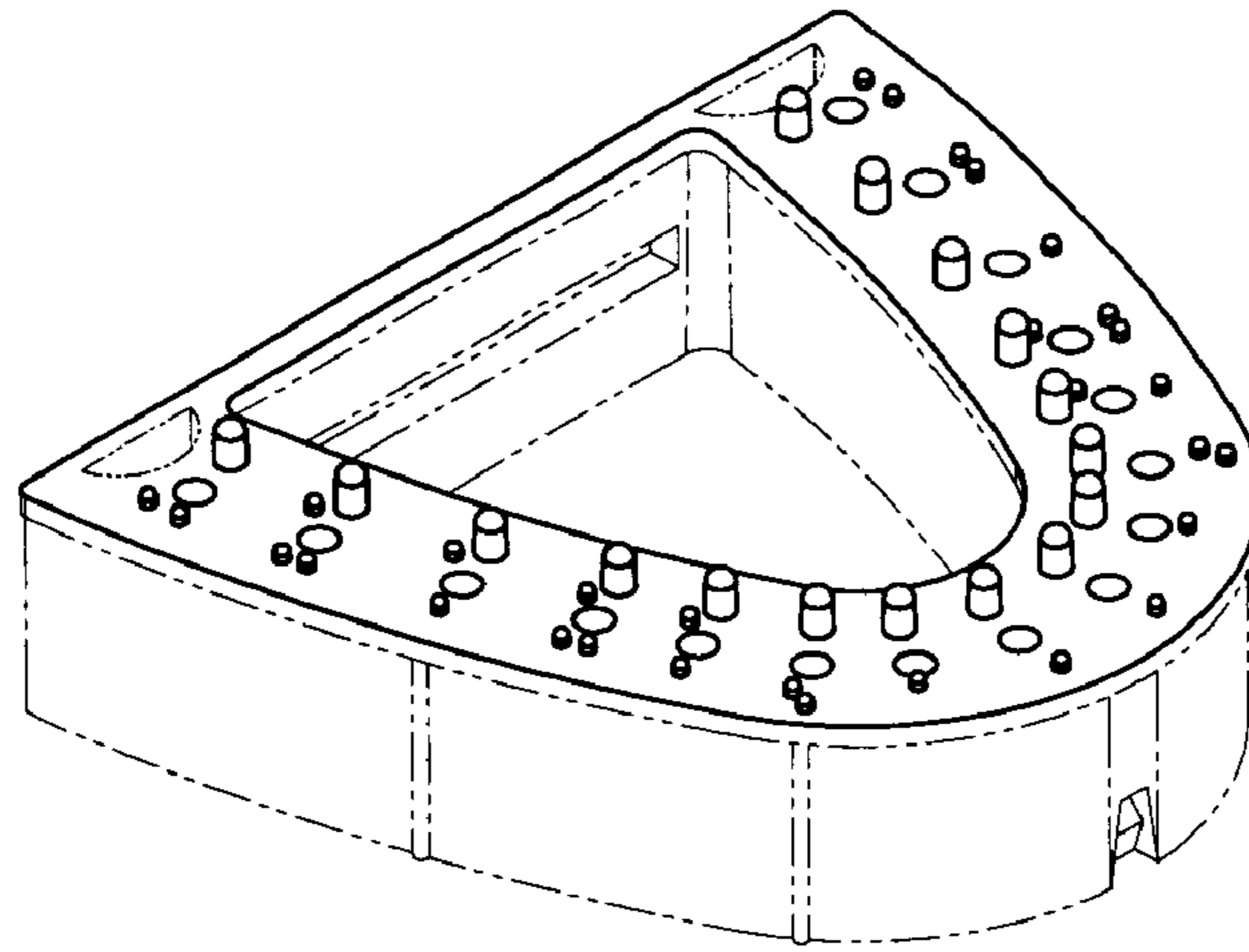


FIG. 2

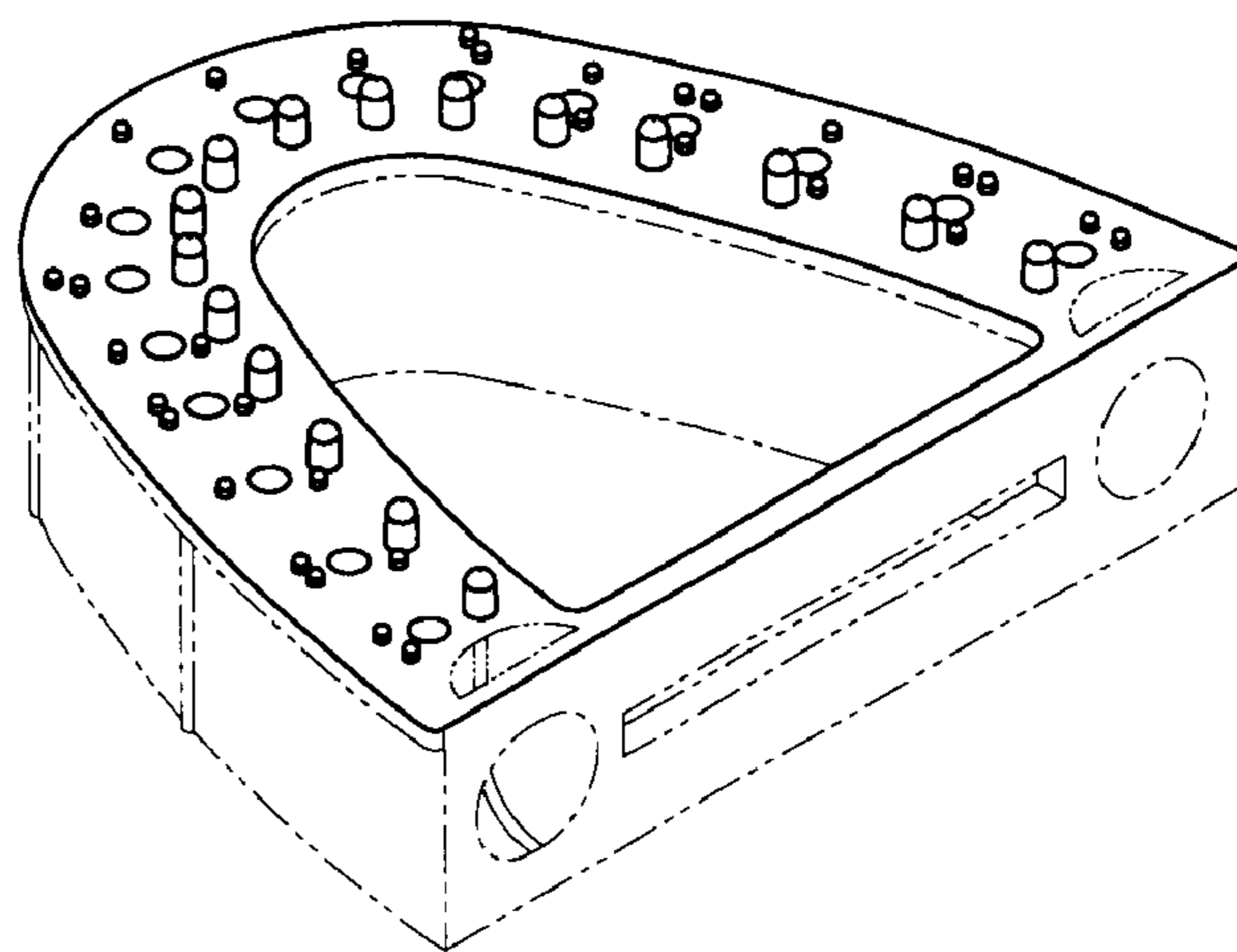


FIG.3

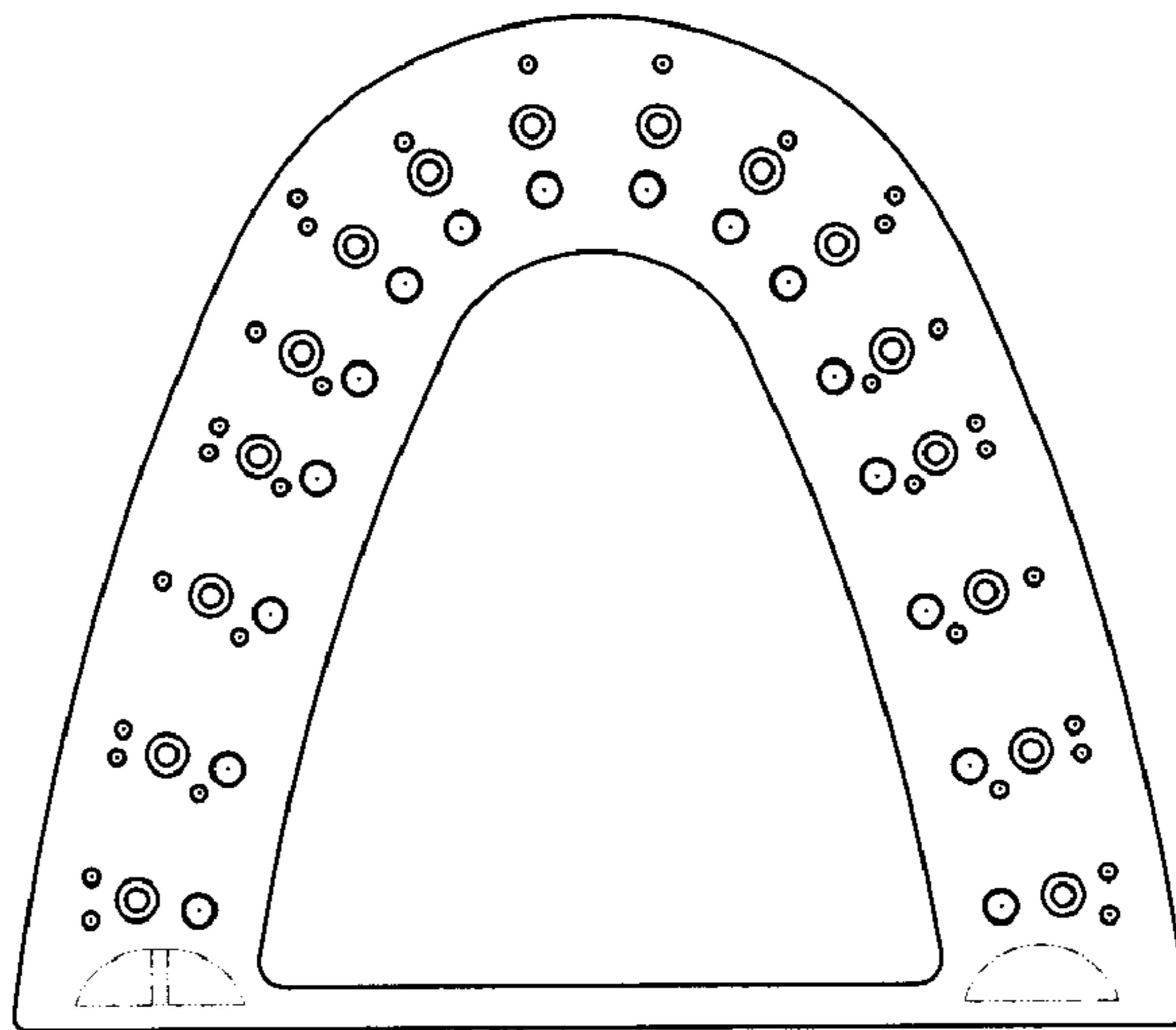


FIG.4

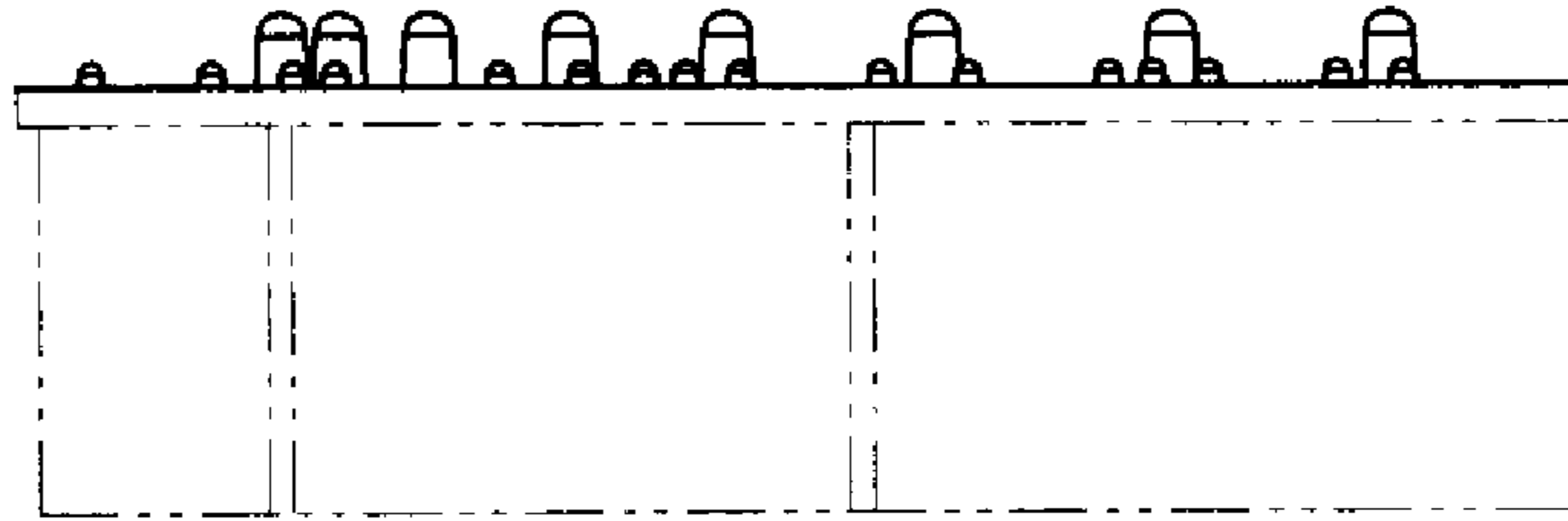


FIG.5

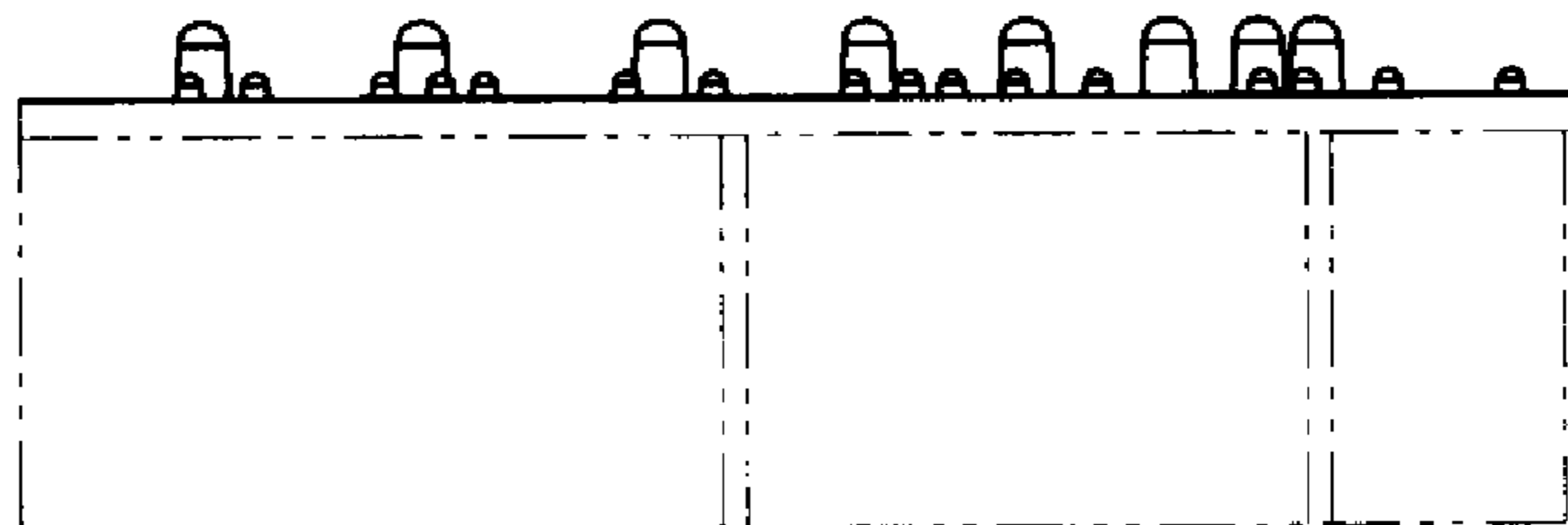


FIG.6

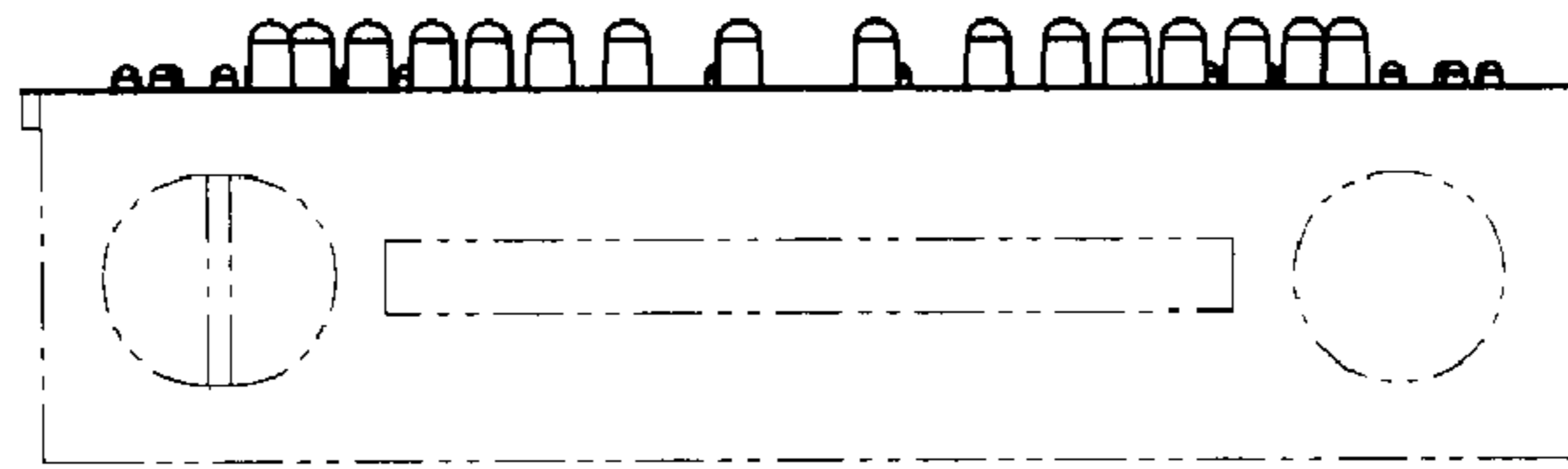


FIG.7

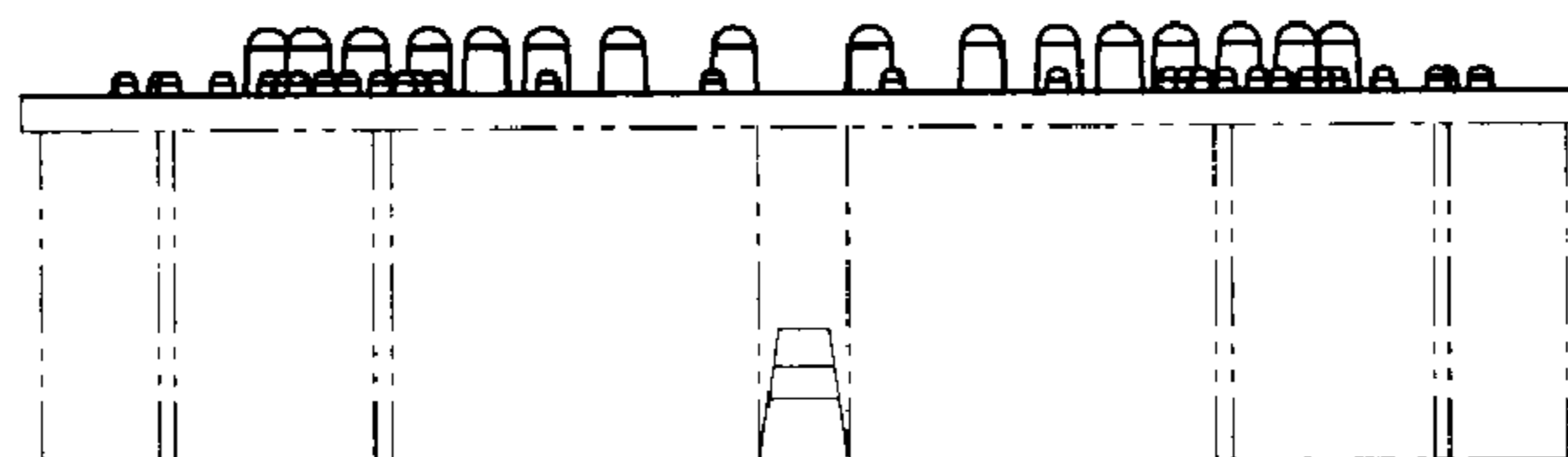


FIG.8

