



US00D529176S

(12) **United States Design Patent**
Moriyama

(10) **Patent No.:** **US D529,176 S**

(45) **Date of Patent:** **** Sep. 26, 2006**

(54) **ULTRASONIC MOUTH WASHING TOOL**

D495,799 S * 9/2004 Hirsch et al. D24/152
D509,028 S * 8/2005 Farrell D29/108

(75) Inventor: **Toshio Moriyama**, Kanagawa (JP)

OTHER PUBLICATIONS

(73) Assignee: **K. M. Sangyo Co., Ltd.**, Tokyo (JP)

U.S. Appl. No. 29/229,997, filed May 13, 2005, Inventor:
Toshio Moriyama.

(**) Term: **14 Years**

* cited by examiner

(21) Appl. No.: **29/229,998**

Primary Examiner—Charles A. Rademaker

(22) Filed: **May 13, 2005**

(74) *Attorney, Agent, or Firm*—Flynn, Thiel, Boutell &
Tanis, P.C.

(30) **Foreign Application Priority Data**

Nov. 15, 2004 (JP) 2004-034831

(57) **CLAIM**

(51) **LOC (8) Cl.** **24-02**

The ornamental design for an ultrasonic mouth washing
tool, as shown and described.

(52) **U.S. Cl.** **D24/152**

(58) **Field of Classification Search** D24/180–181,
D24/176, 152–156, 107; 433/37–43, 76,
433/165, 213–214, 102; 173/76; 606/130,
606/2; 623/17.11; D29/108; 128/859–862
See application file for complete search history.

DESCRIPTION

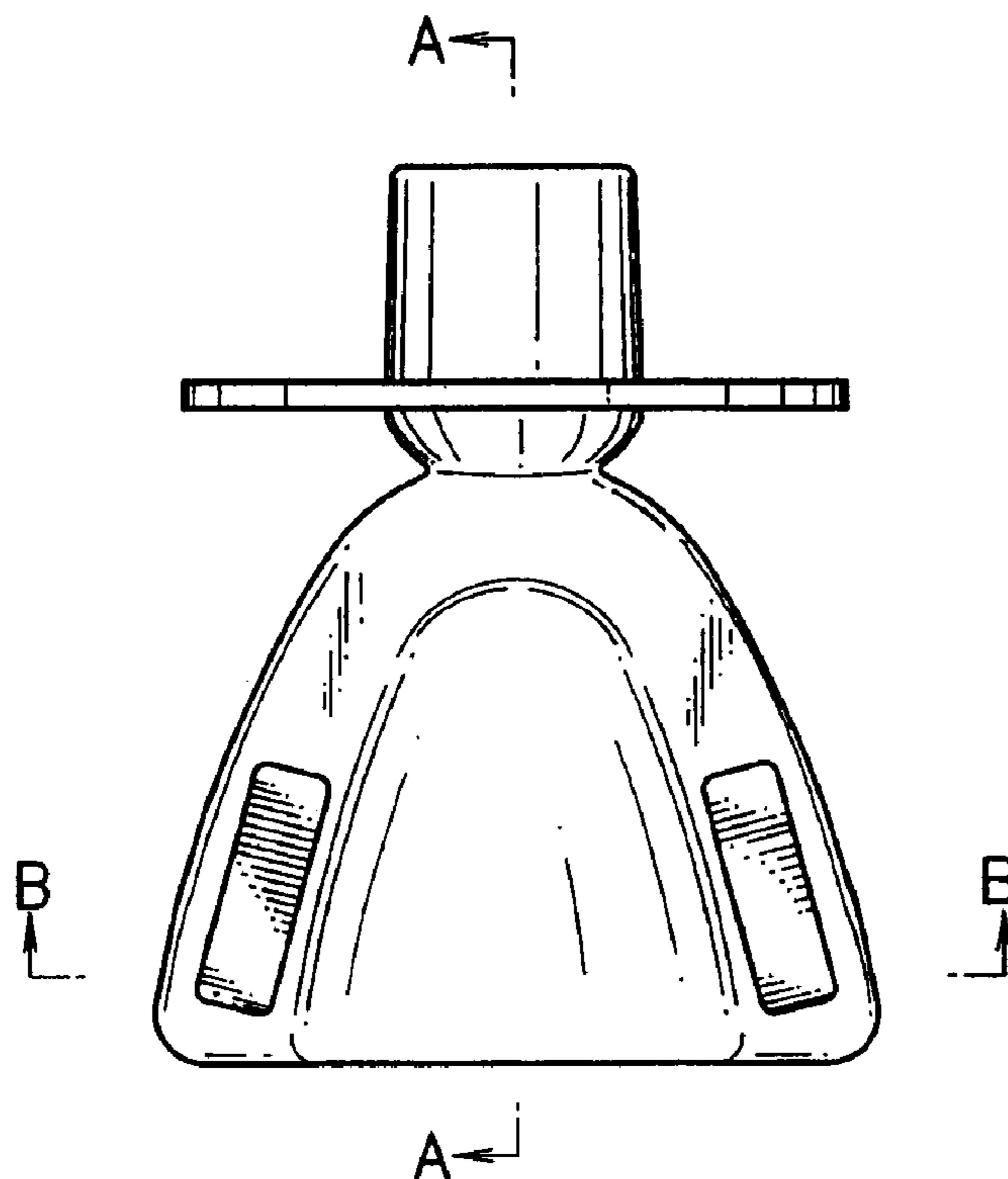
FIG. 1 is a front elevation of an ultrasonic mouth washing
tool showing my new design;
FIG. 2 is a rear elevation thereof;
FIG. 3 is a top plan view thereof;
FIG. 4 is a bottom plan thereof;
FIG. 5 is a left side elevation thereof, the side opposite being
a mirror image;
FIG. 6 is a cross sectional view thereof taken along line
A—A in FIG. 1; and,
FIG. 7 is a cross sectional view thereof taken along line
B—B in FIG. 1.

(56) **References Cited**

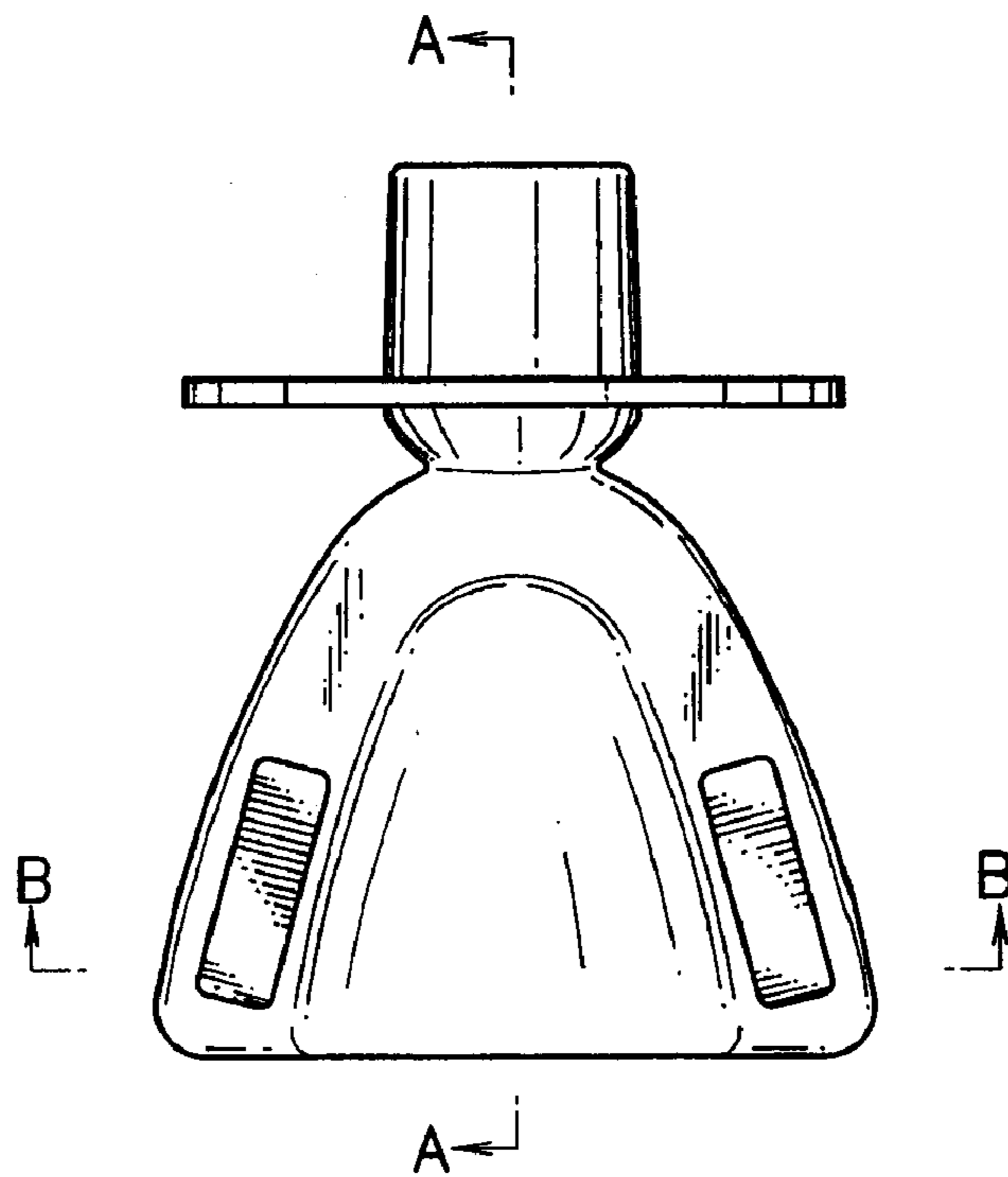
U.S. PATENT DOCUMENTS

- D300,059 S * 2/1989 Pier D24/181
- D328,494 S * 8/1992 Schwendeman et al. ... D24/176
- D358,889 S * 5/1995 Wong D24/181
- D383,845 S * 9/1997 Mitchell et al. D24/181
- D408,919 S * 4/1999 Cooley D24/181
- D434,501 S * 11/2000 Redhage D24/181
- D452,011 S * 12/2001 Redhage D24/181

1 Claim, 4 Drawing Sheets



F I G. 1



F I G. 2

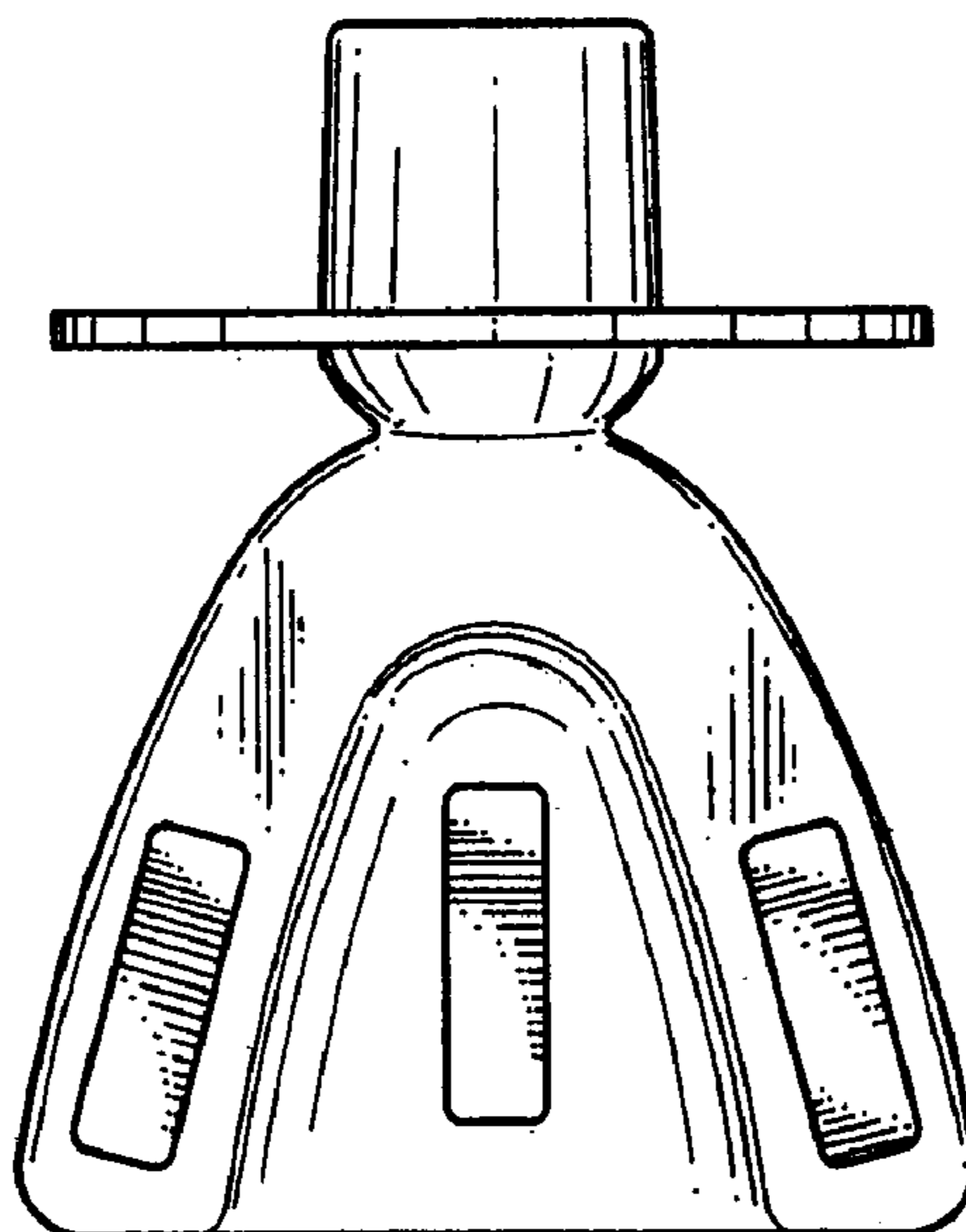


FIG. 3

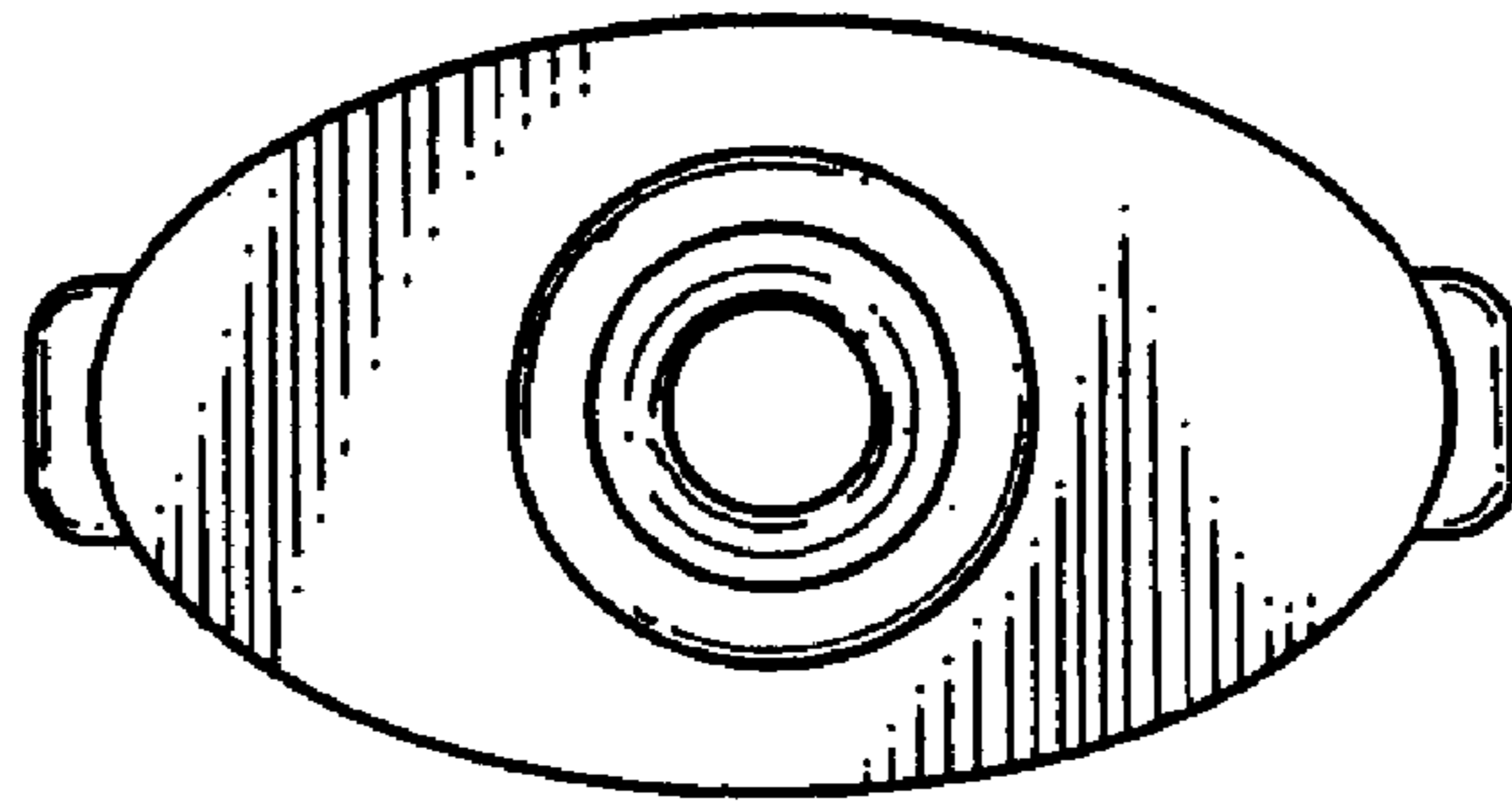


FIG. 4

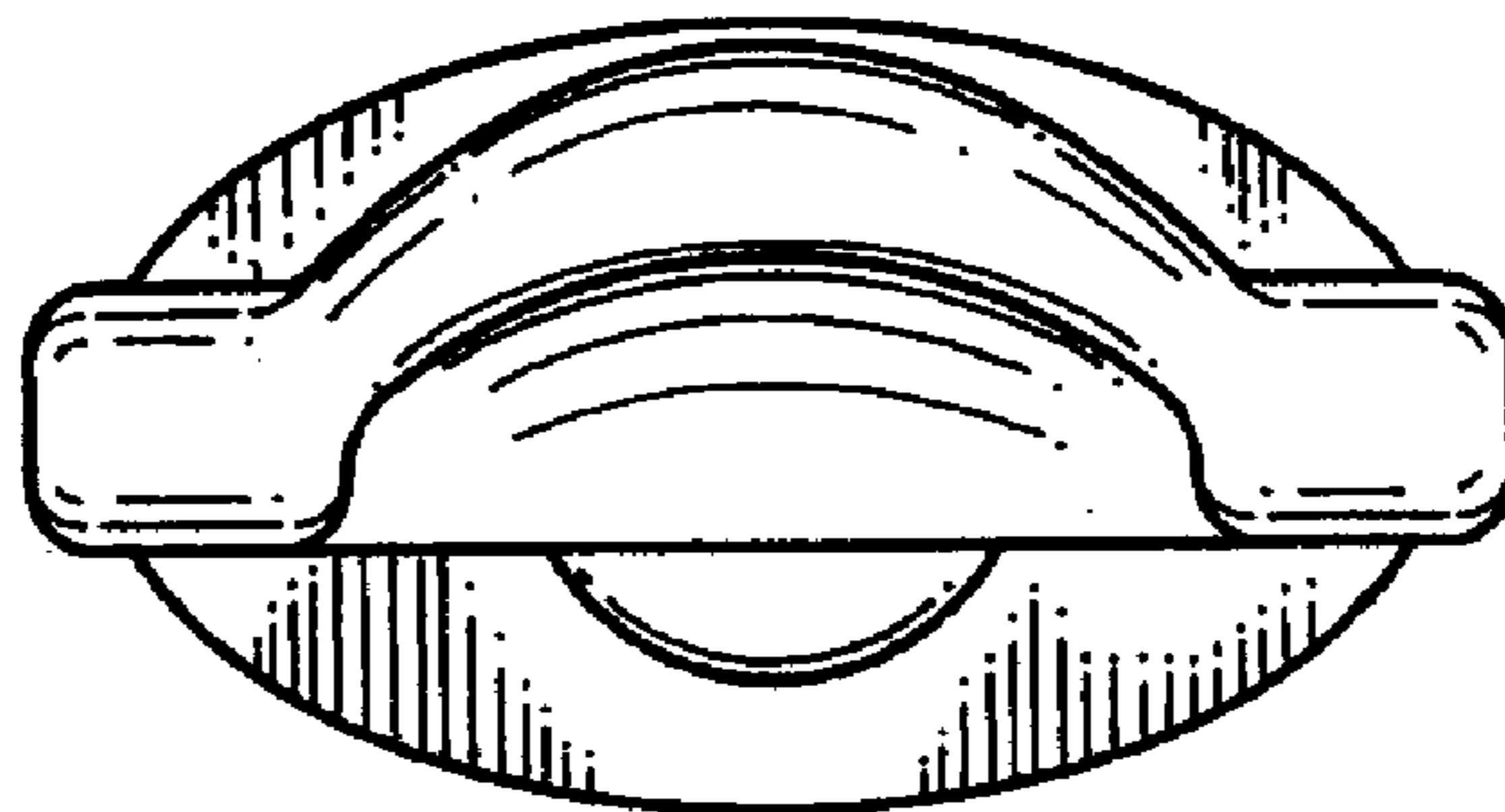
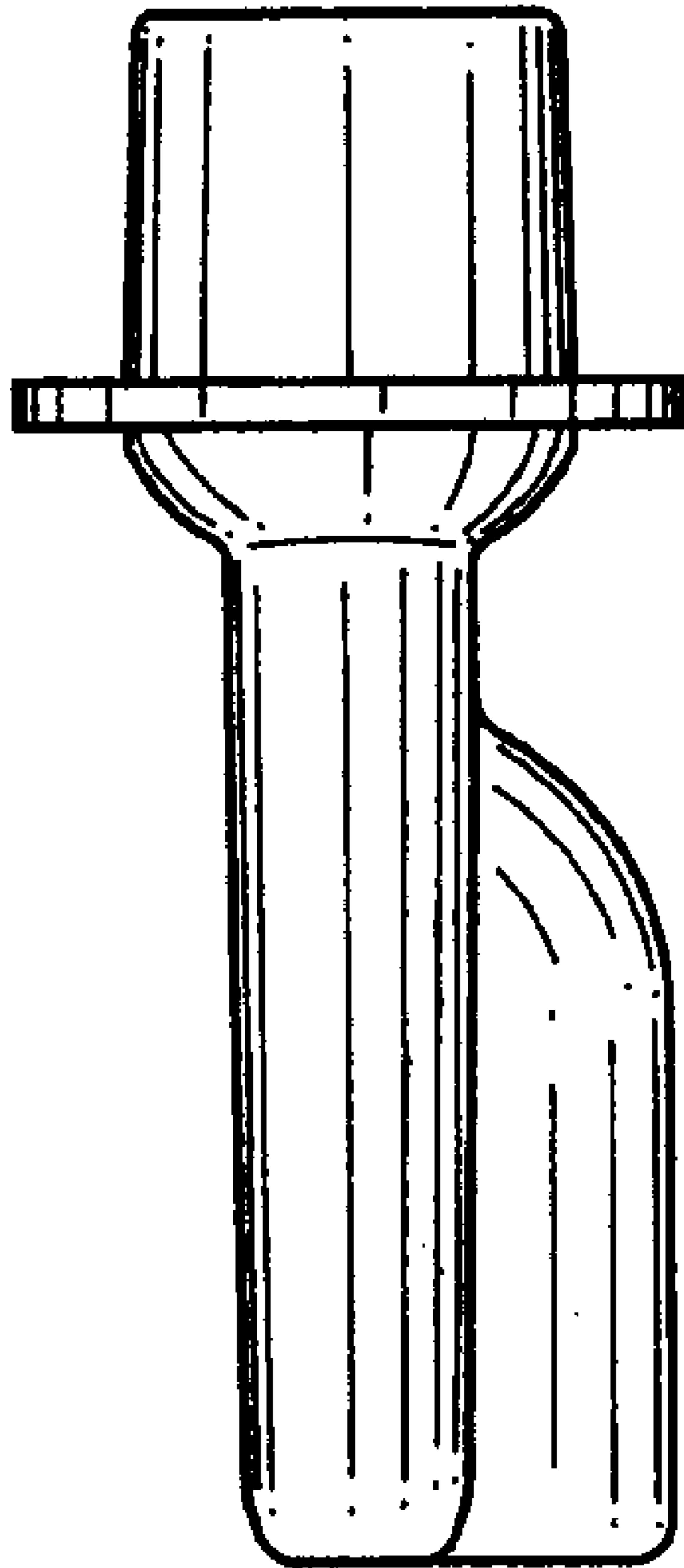
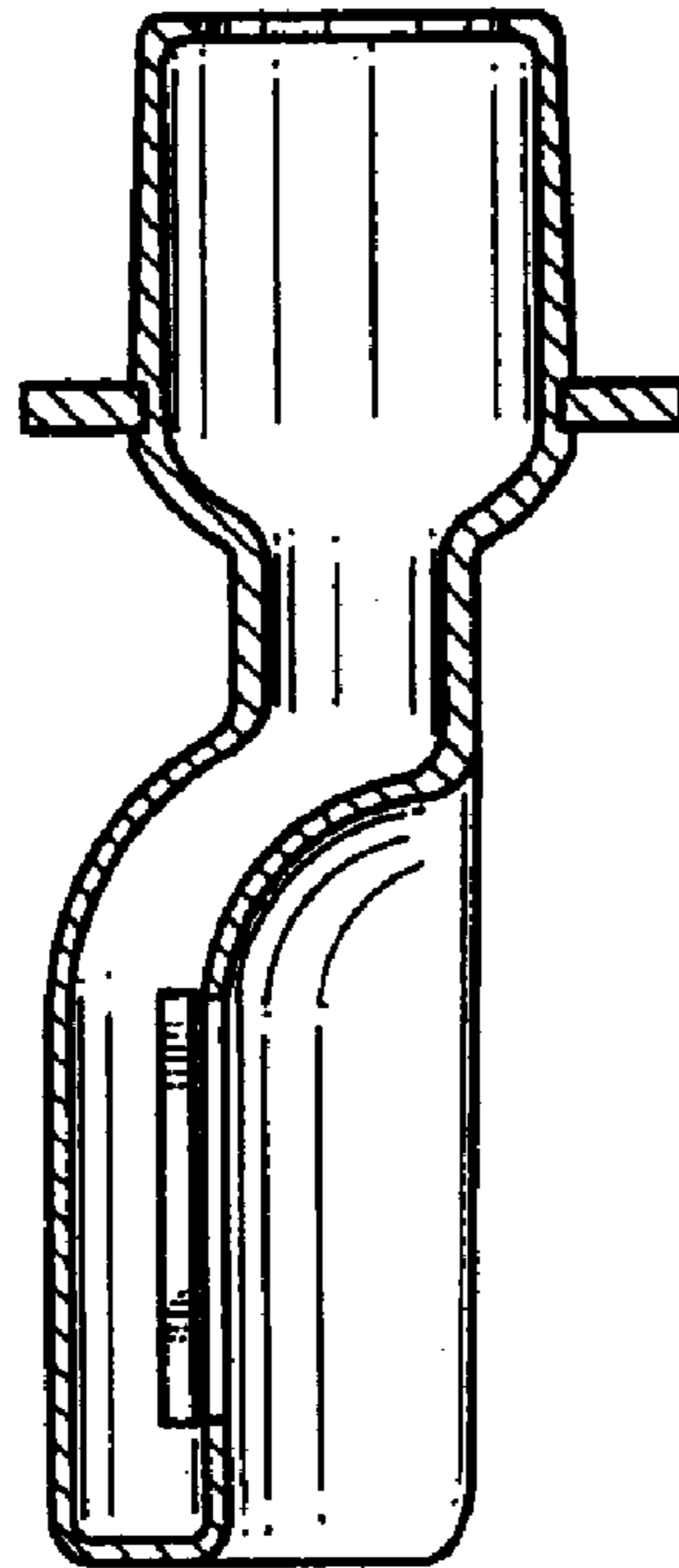


FIG. 5



F I G. 6



F I G. 7

