

US00D529173S

(12) **United States Design Patent**  
**Weisel**

(10) **Patent No.:** **US D529,173 S**

(45) **Date of Patent:** **\*\* \*Sep. 26, 2006**

(54) **SUTURE NEEDLE**

(75) Inventor: **Tom Weisel**, Ventura, CA (US)

(73) Assignee: **Depuy Mitek, Inc.**, New Brunswick, NJ (US)

(\*) Notice: This patent is subject to a terminal disclaimer.

(\*\*) Term: **14 Years**

(21) Appl. No.: **29/236,656**

(22) Filed: **Aug. 18, 2005**

**Related U.S. Application Data**

(63) Continuation of application No. 10/255,523, filed on Sep. 25, 2002.

(51) **LOC (8) Cl.** ..... **24-02**

(52) **U.S. Cl.** ..... **D24/145; D24/146**

(58) **Field of Classification Search** ..... D24/145,  
D24/146; 606/144, 145, 146, 147, 148, 272,  
606/223; 223/102; 112/224

See application file for complete search history.

(56) **References Cited**

**U.S. PATENT DOCUMENTS**

2,738,790	A	3/1956	Todt Sr., et al.	
3,372,477	A *	3/1968	Hoppe	606/138
3,842,840	A	10/1974	Schweizer	
3,901,244	A	8/1975	Schweizer	
4,890,615	A	1/1990	Caspari	
5,059,201	A *	10/1991	Asnis	606/144

5,222,977	A	6/1993	Esser	
5,312,422	A	5/1994	Trott	
5,474,565	A *	12/1995	Trott	606/144
D368,776	S *	4/1996	Toy et al.	D24/145
5,522,820	A	6/1996	Caspari	
5,573,542	A *	11/1996	Stevens	606/144
5,908,428	A	6/1999	Scirica	
5,980,538	A	11/1999	Fuchs	
6,254,620	B1 *	7/2001	Koh et al.	606/167
6,770,084	B1	8/2004	Bain et al.	
6,984,237	B1 *	1/2006	Hatch et al.	606/144

\* cited by examiner

*Primary Examiner*—Ian Simmons

*Assistant Examiner*—Christopher Lee

(74) *Attorney, Agent, or Firm*—Myers Dawes Andras & Sherman LLP; Joseph C. Andras

(57) **CLAIM**

The ornamental design for a suture needle, as shown and described.

**DESCRIPTION**

FIG. 1 is a perspective view of the suture needle of the present invention;

FIG. 2 is a right side elevational view thereof;

FIG. 3 is a top plan view thereof;

FIG. 4 is a back end view thereof;

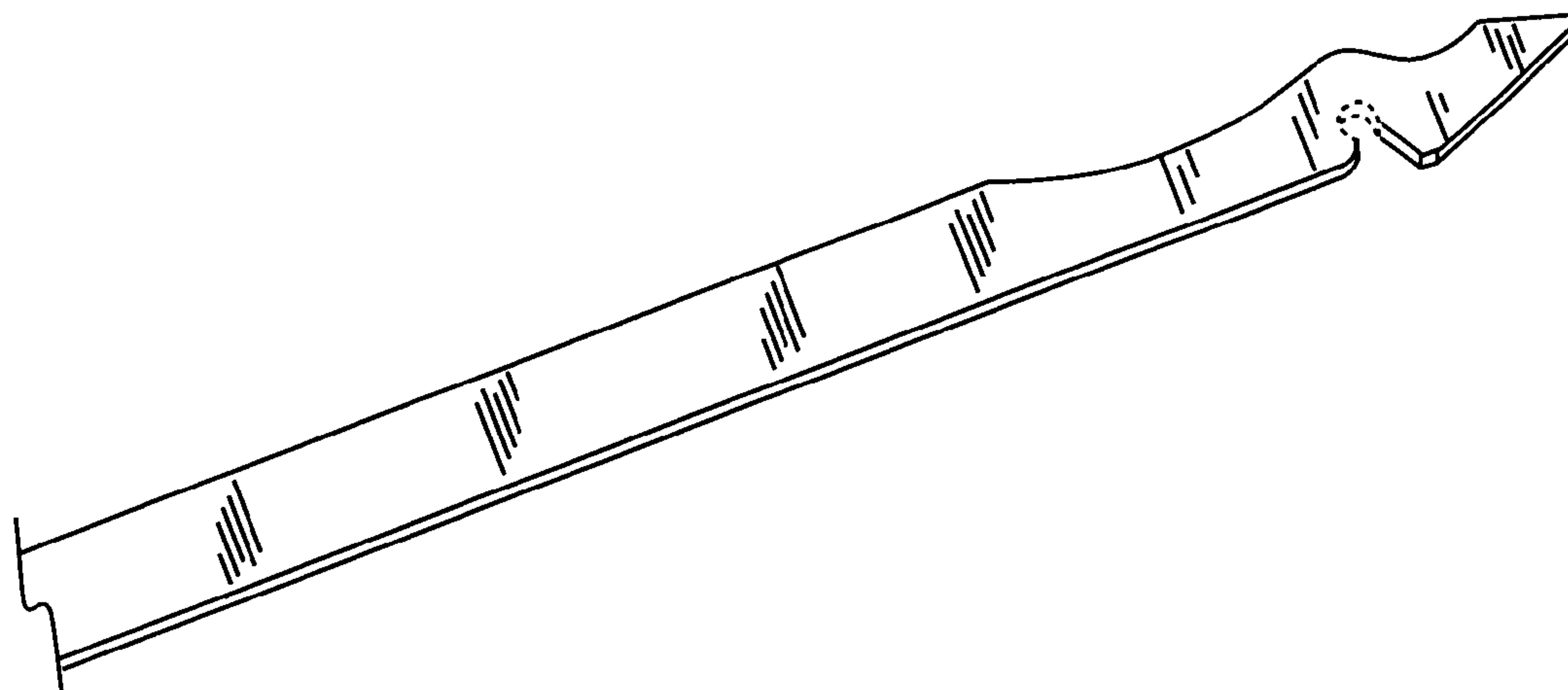
FIG. 5 is a front end view thereof;

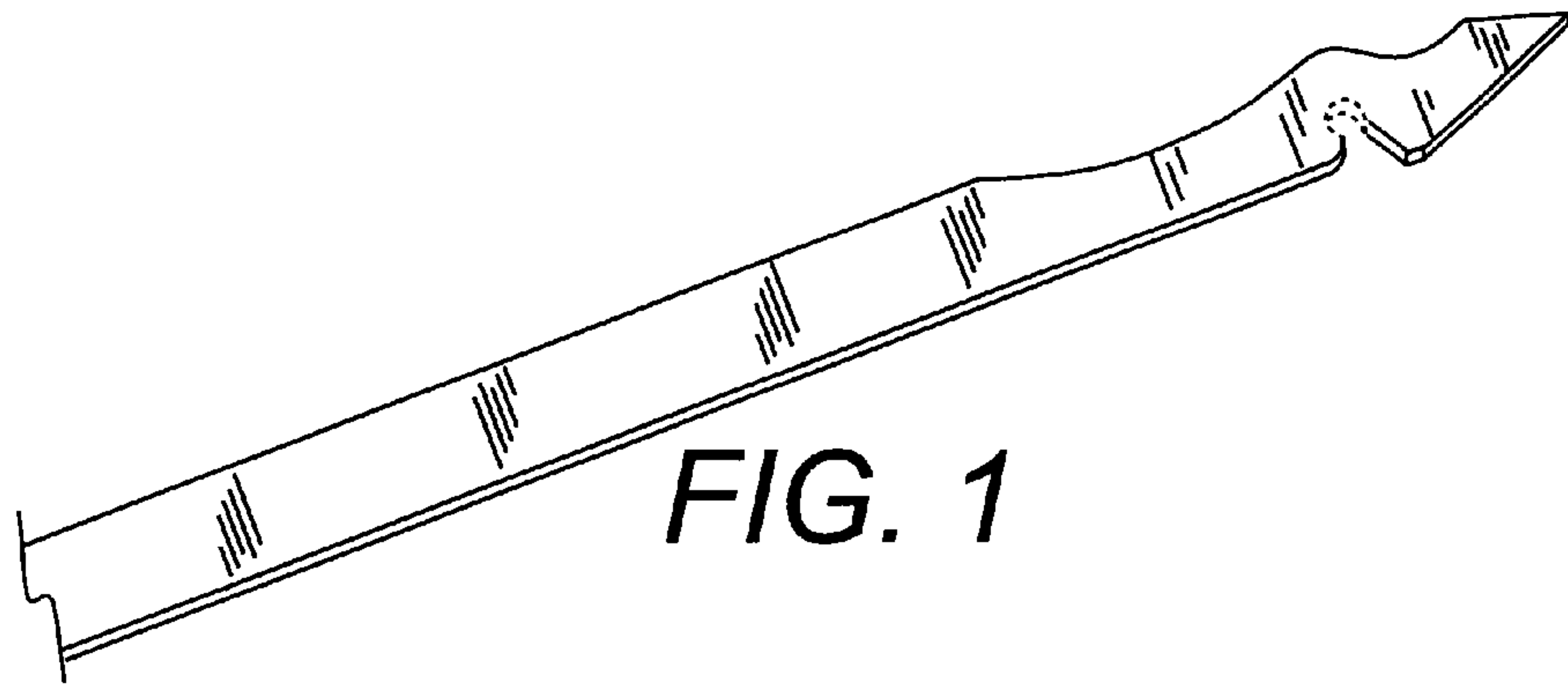
FIG. 6 is a left side elevational view thereof; and,

FIG. 7 is a bottom plan view of the suture needle of the present invention.

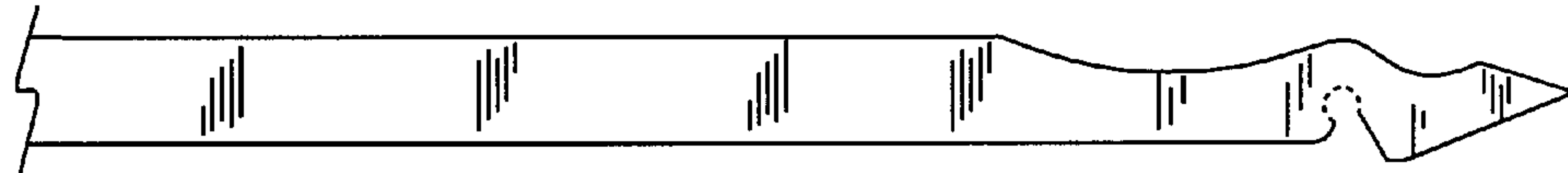
The broken line showing is for illustrative purposes only and forms no part of the claimed design.

**1 Claim, 1 Drawing Sheet**

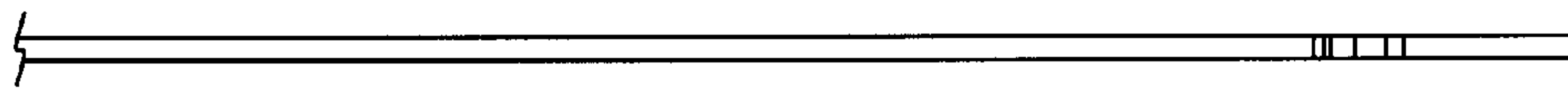




**FIG. 1**



**FIG. 2**



**FIG. 3**



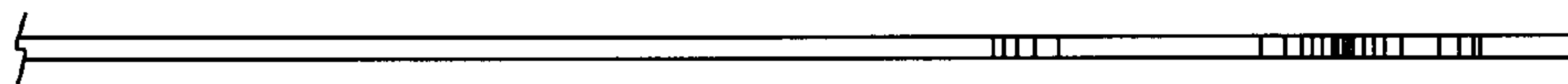
**FIG. 4**



**FIG. 5**



**FIG. 6**



**FIG. 7**