



US00D529170S

(12) **United States Design Patent**  
**Wang**

(10) **Patent No.:** **US D529,170 S**

(45) **Date of Patent:** **\*\* Sep. 26, 2006**

(54) **SPECIMEN CUP**

(75) **Inventor:** **Naishu Wang**, San Diego, CA (US)

(73) **Assignee:** **Alfa Scientific Designs, Inc.**, Poway, CA (US)

(\*\*) **Term:** **14 Years**

(21) **Appl. No.:** **29/204,856**

(22) **Filed:** **May 4, 2004**

(51) **LOC (8) Cl.** ..... **24-04**

(52) **U.S. Cl.** ..... **D24/122**

(58) **Field of Classification Search** ..... D24/122,  
D24/216, 224, 121; 604/317-319; 600/573;  
422/58, 61, 939, 940; 206/363, 438, 210;  
435/283.1, 288.1, 299.2, 304.1-304.2  
See application file for complete search history.

(56) **References Cited**

**U.S. PATENT DOCUMENTS**

D258,311 S \* 2/1981 Peterson ..... D24/121  
D425,984 S \* 5/2000 Niermann et al. .... D24/122

6,152,902 A \* 11/2000 Christian et al. .... 604/319  
6,572,827 B1 \* 6/2003 Wilkinson et al. .... 422/102  
D497,425 S \* 10/2004 McQuaid ..... D24/122

\* cited by examiner

*Primary Examiner*—Louis S. Zarfaz

*Assistant Examiner*—Daniel Yu

(74) *Attorney, Agent, or Firm*—Charmasson, Buchaca & Leach, LLP

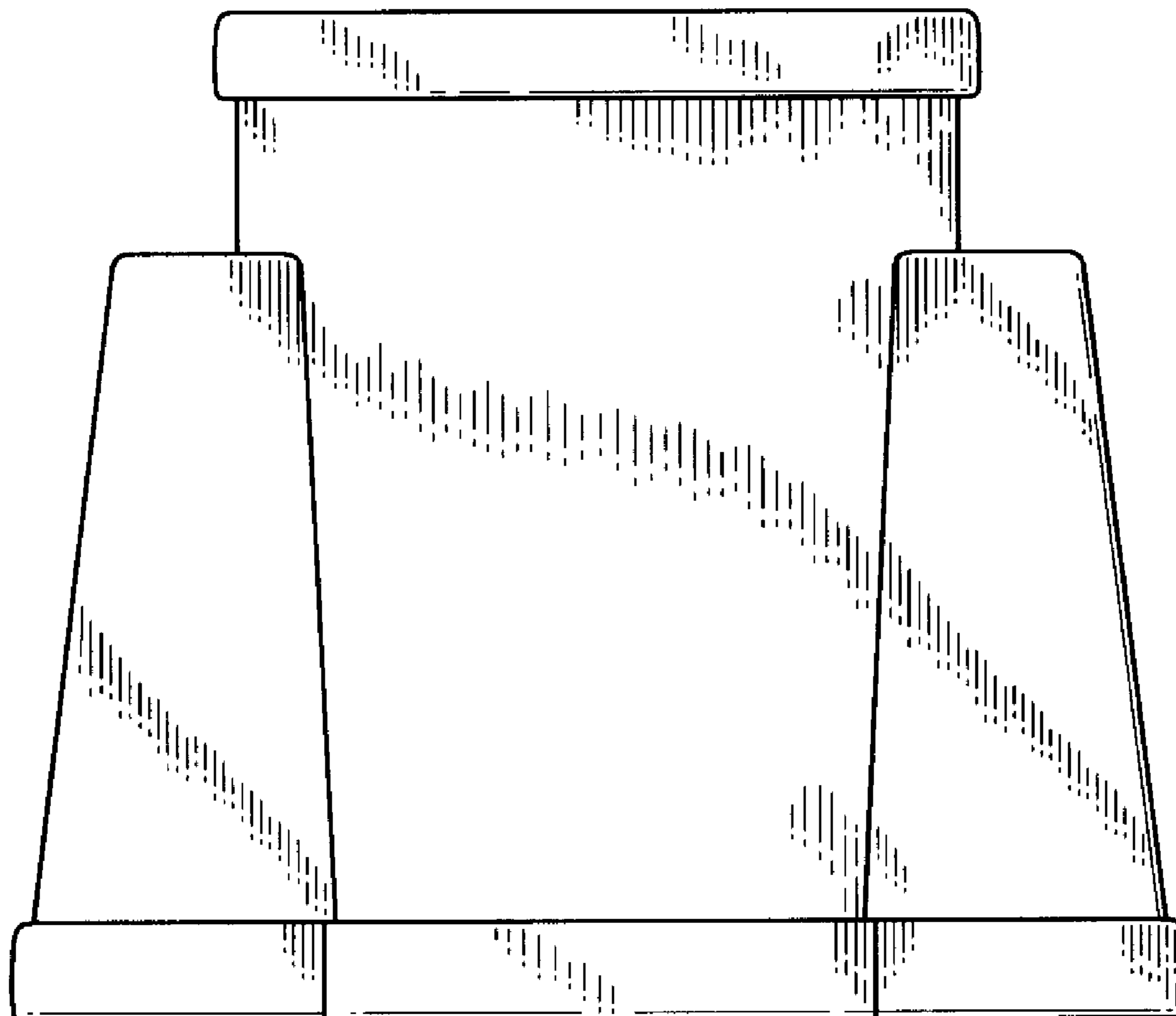
(57) **CLAIM**

The ornamental design for a specimen cup, as shown and described.

**DESCRIPTION**

FIG. 1 is a front elevational view of a specimen cup showing my new design;  
FIG. 2 is a top plan view thereof;  
FIG. 3 is a back elevational view thereof;  
FIG. 4 is a bottom plan view thereof; and,  
FIG. 5 is a left side elevational view thereof, the right side being a mirror image.

**1 Claim, 3 Drawing Sheets**



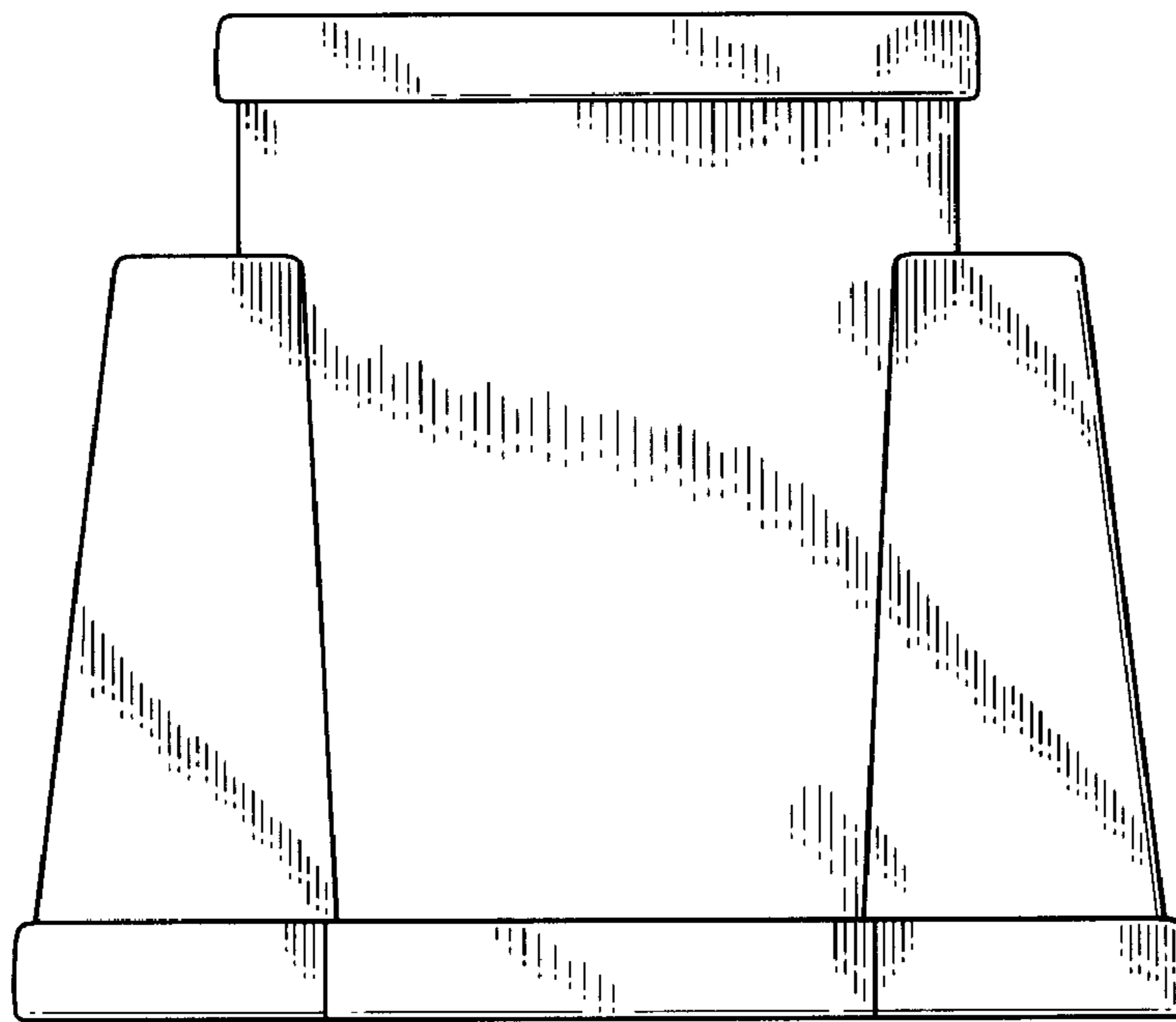


FIG. 1

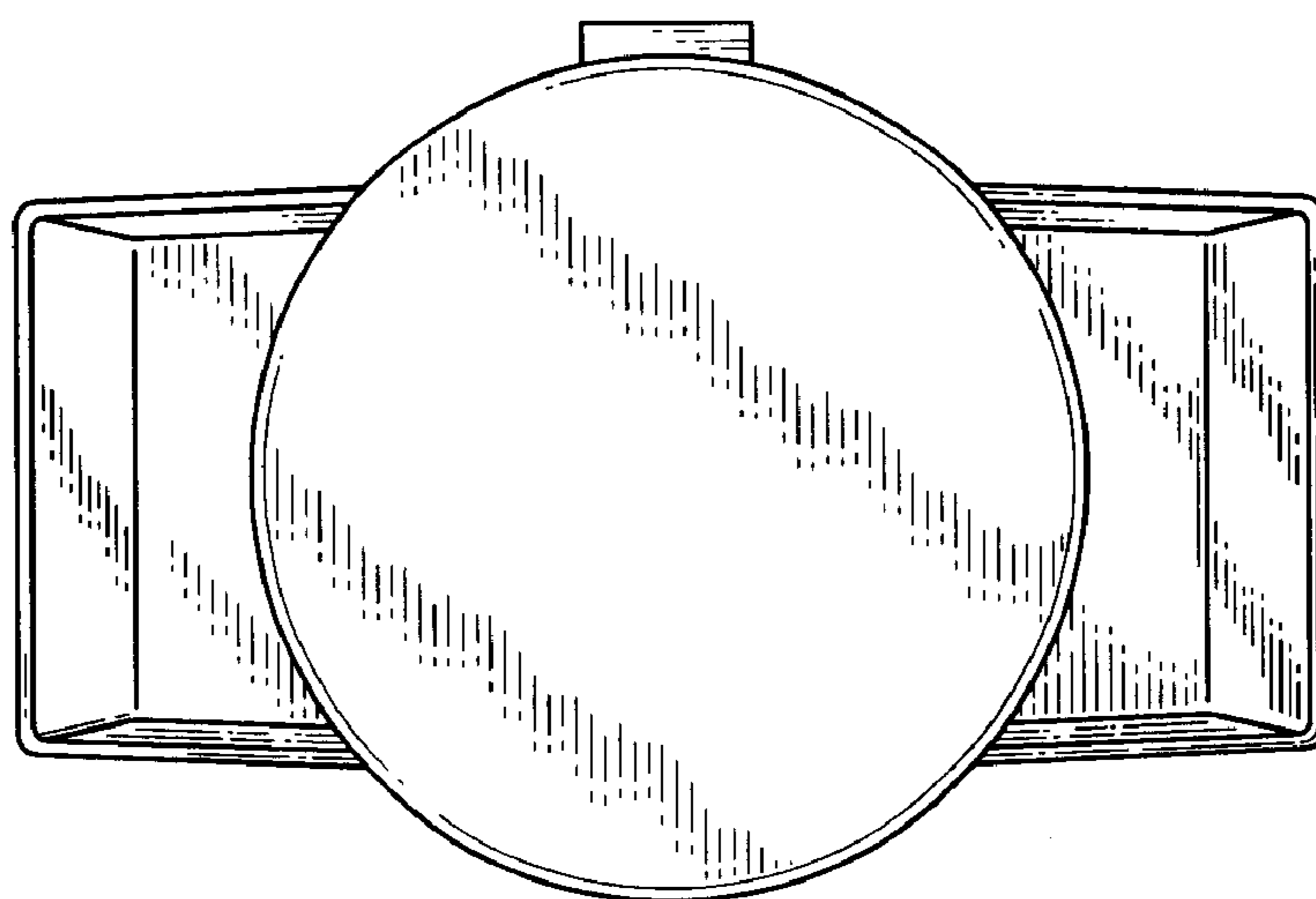


FIG. 2

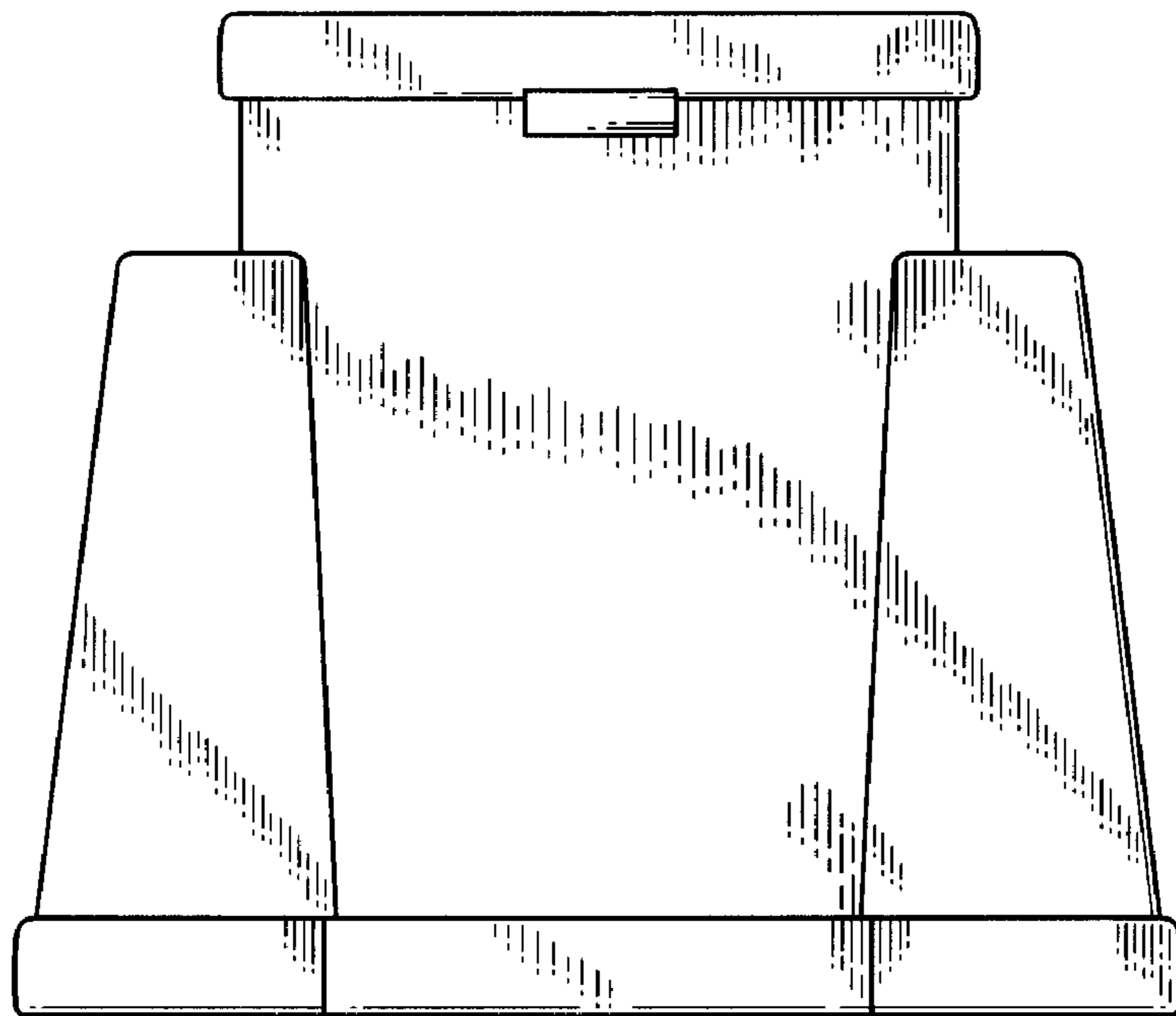


FIG. 3

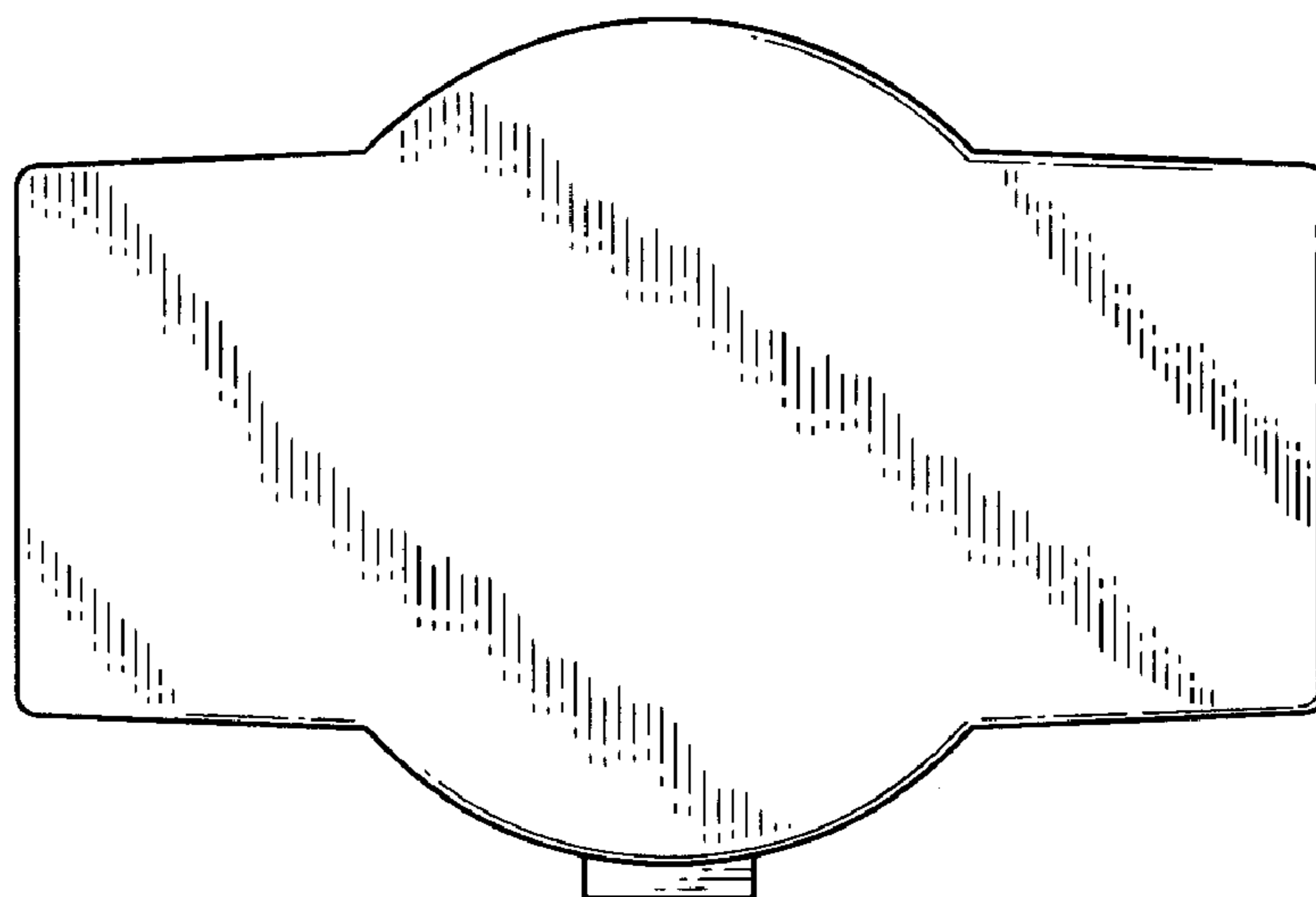


FIG. 4

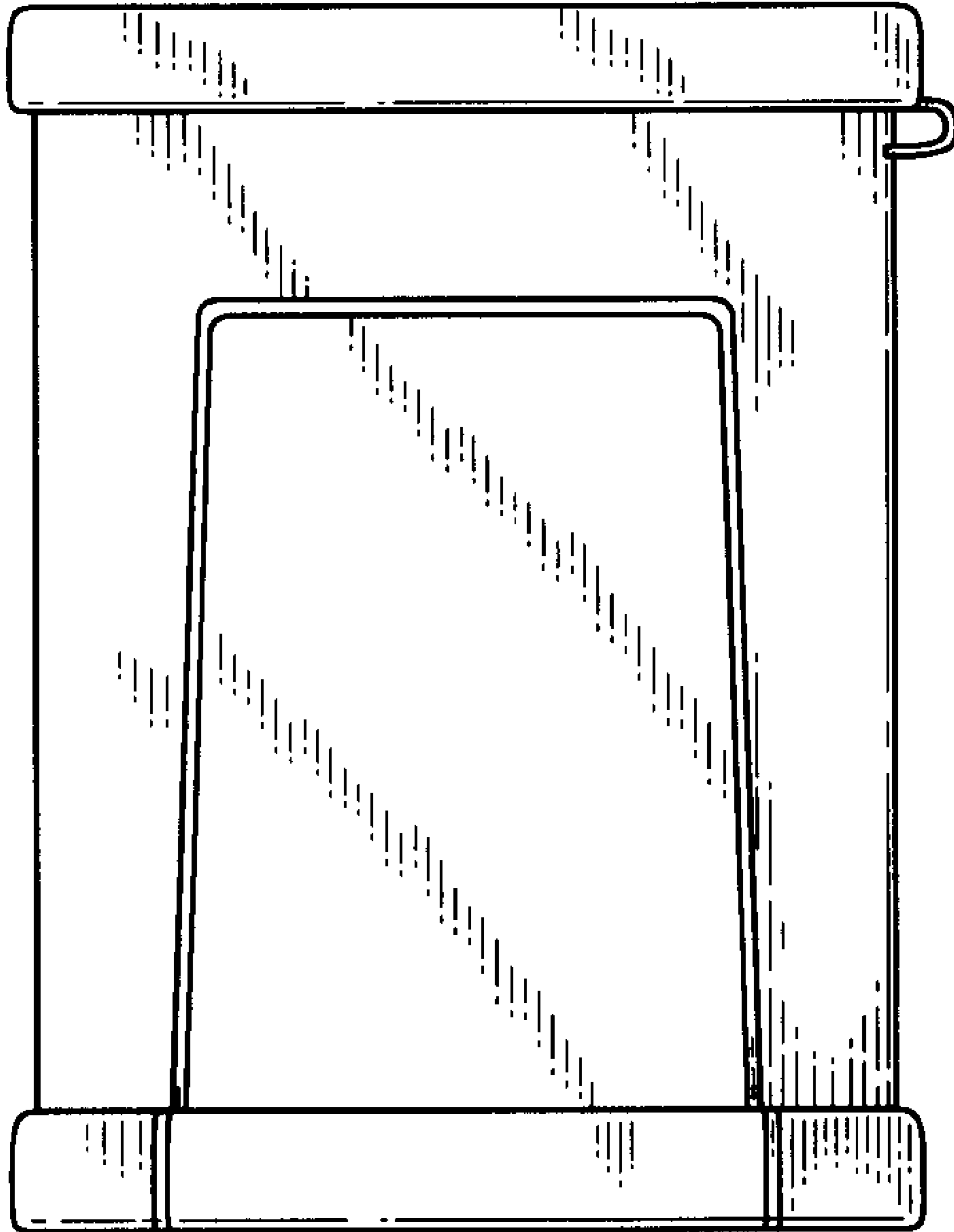


FIG. 5