



US00D529168S

(12) **United States Design Patent**  
**Hidalgo**

(10) **Patent No.:** **US D529,168 S**

(45) **Date of Patent:** **\*\* Sep. 26, 2006**

(54) **CEILING MOUNT**

(75) Inventor: **Rolando Hidalgo**, Orange, CA (US)

(73) Assignee: **Minka Lighting, Inc.**, Corona, CA (US)

(\*\*) Term: **14 Years**

(21) Appl. No.: **29/235,860**

(22) Filed: **Aug. 8, 2005**

(51) **LOC (8) Cl.** ..... **23-04**

(52) **U.S. Cl.** ..... **D23/411**

(58) **Field of Classification Search** ..... D23/411,  
D23/377, 379, 385; 416/5; 392/364  
See application file for complete search history.

(56) **References Cited**

**U.S. PATENT DOCUMENTS**

D513,315 S \* 12/2005 Hidalgo ..... D23/377

**OTHER PUBLICATIONS**

Fanimation Internet Catalog; Belize; Model # FP2920AR; printed from www.fanshack.com on Apr. 27, 2005.

Casablanca Internet Catalog; Nouvelle; Model # 96U52T; printed from www.hansenwholesale.com on Apr. 27, 2005.

Hunter Internet Catalog; Pienza; Model # 28871; printed from www.fanshack.com on Jul. 7, 2005.

Minka Lighting, Inc.; MinkaAire 2005 catalog; Jan. 2005; p. 16; Minka Lighting, Inc.; U.S.A.

\* cited by examiner

*Primary Examiner*—Lisa Lichtenstein

(74) *Attorney, Agent, or Firm*—Baker & McKenzie LLP

(57) **CLAIM**

The ornamental design for a ceiling mount, as shown and described.

**DESCRIPTION**

FIG. 1 is a perspective view from below of a ceiling mount in accordance with my design;

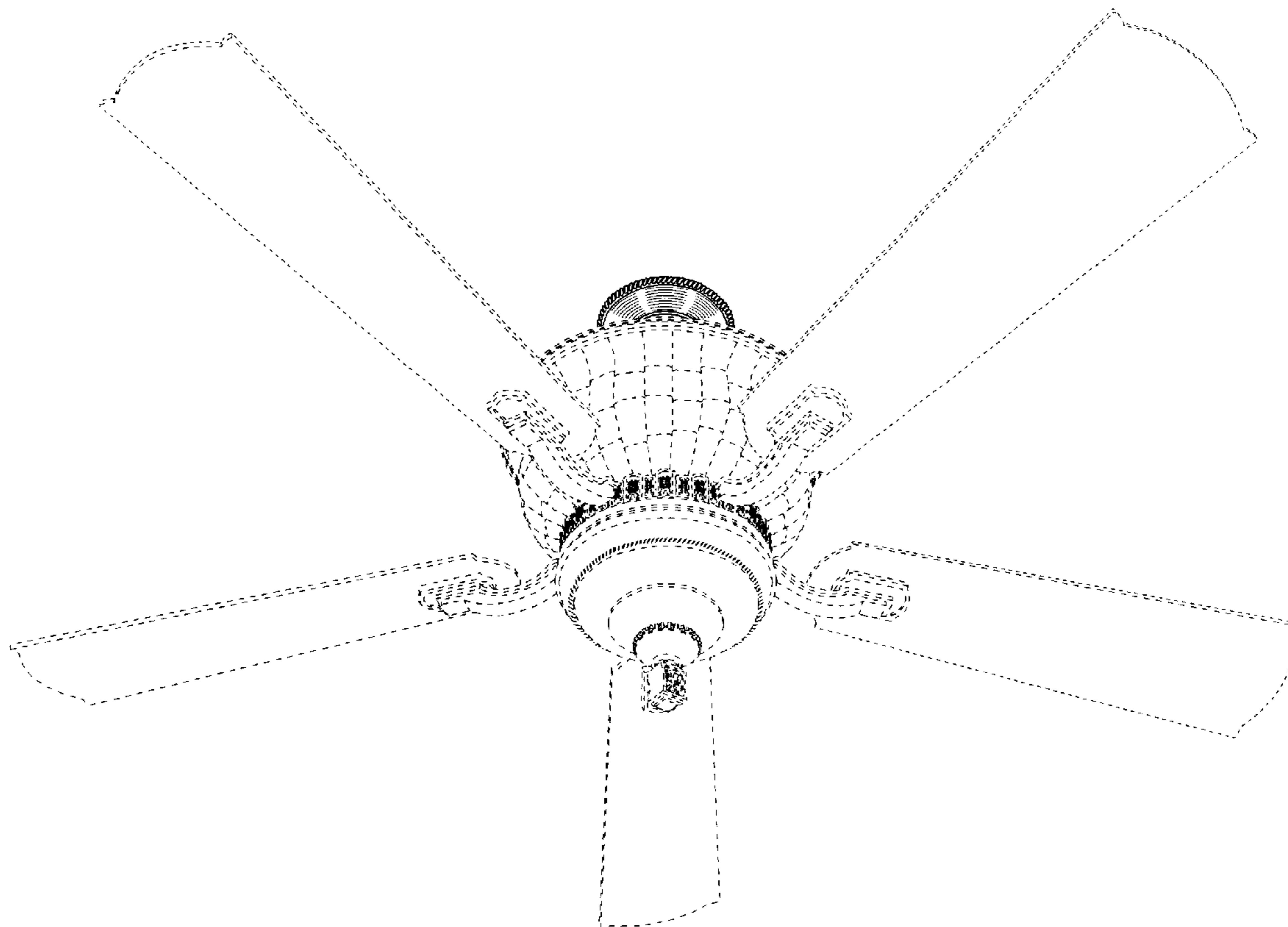
FIG. 2 is an enlarged perspective view of the ceiling mount in accordance with my design;

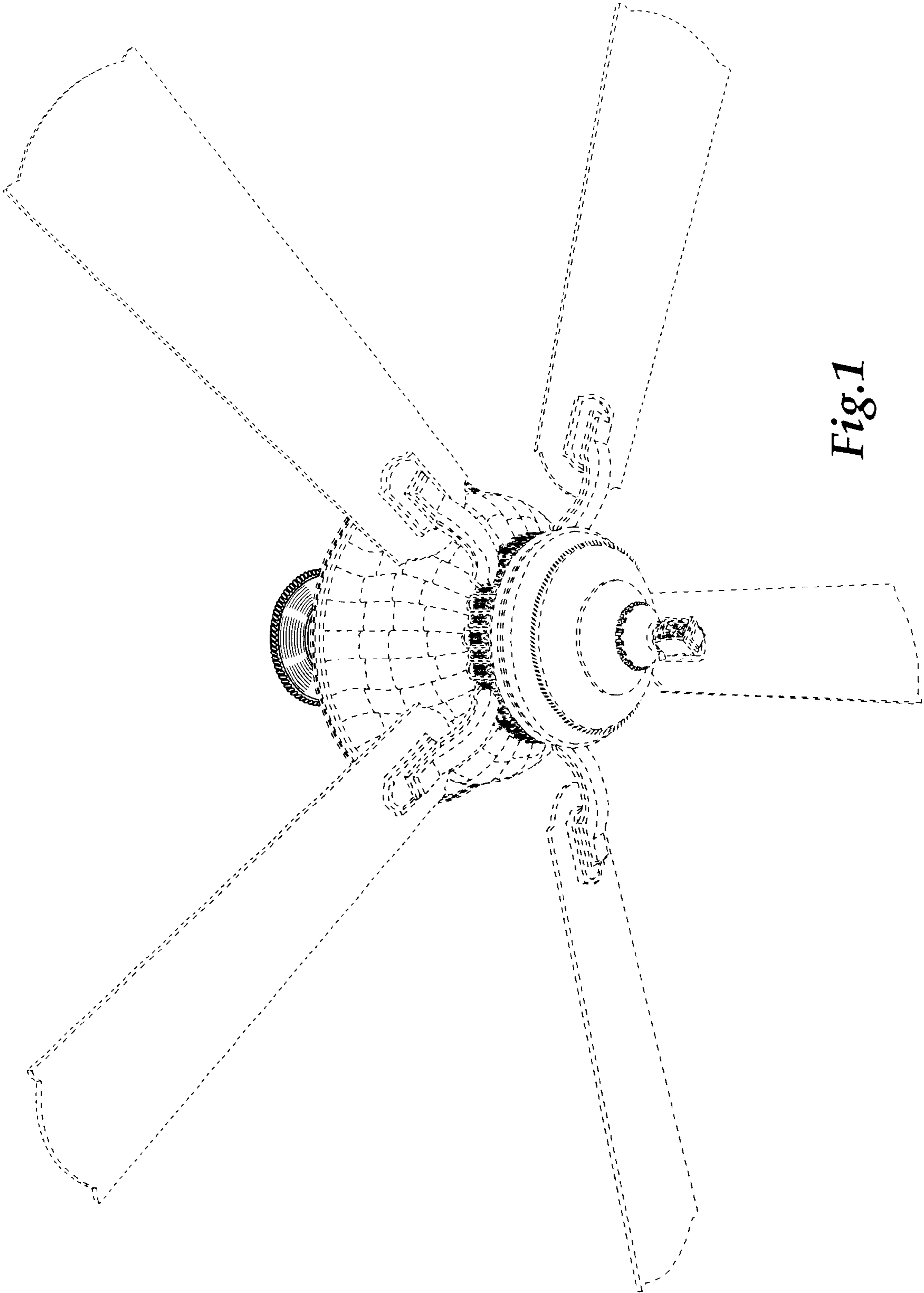
FIG. 3 is an enlarged side elevation view of the ceiling mount in accordance with my design, the opposite side being a mirror image of that shown; and,

FIG. 4 is an enlarged bottom plan view of the ceiling mount in accordance with my design.

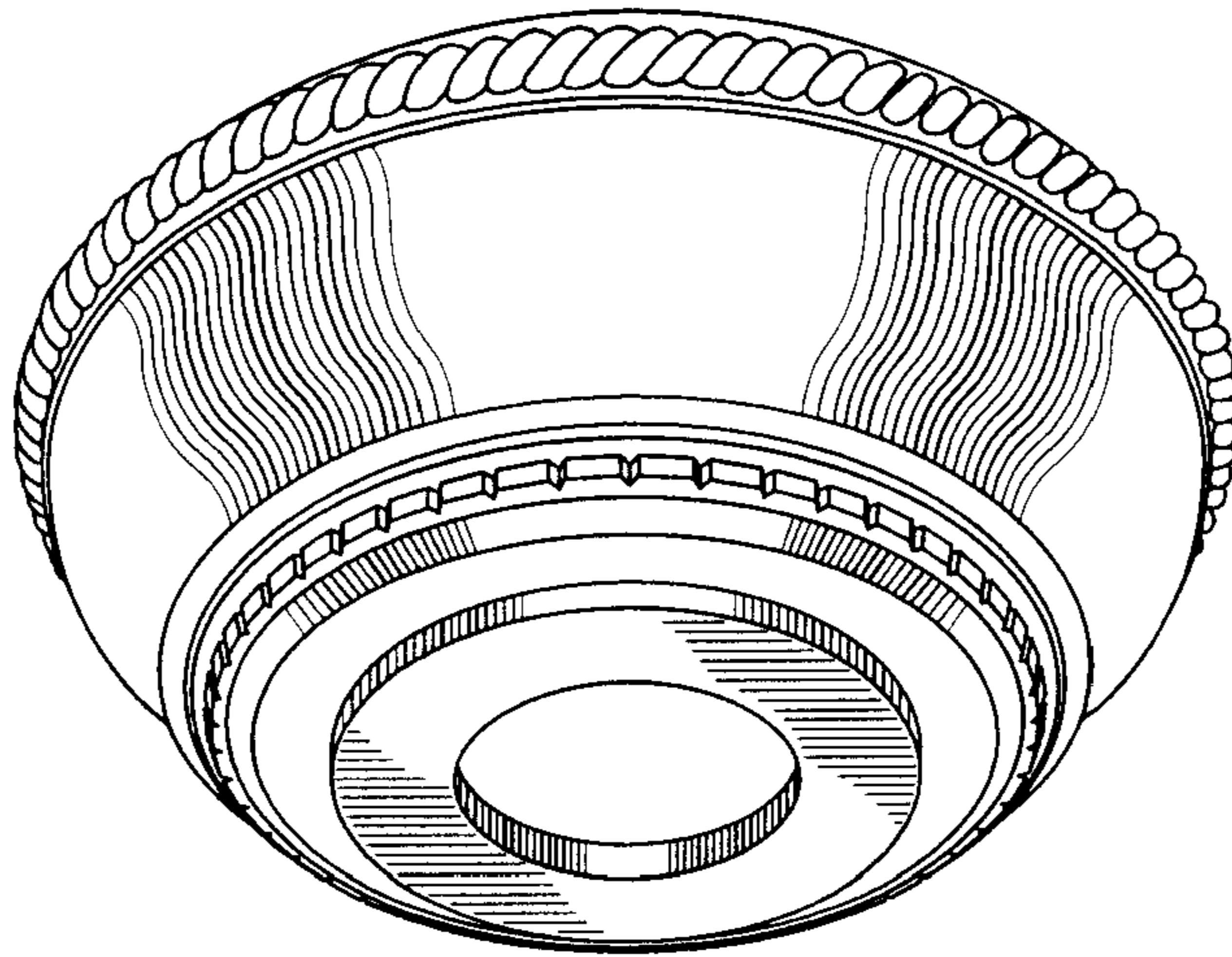
The broken lines showing environmental structure are for illustrative purposes and form no part of the claimed invention.

**1 Claim, 2 Drawing Sheets**

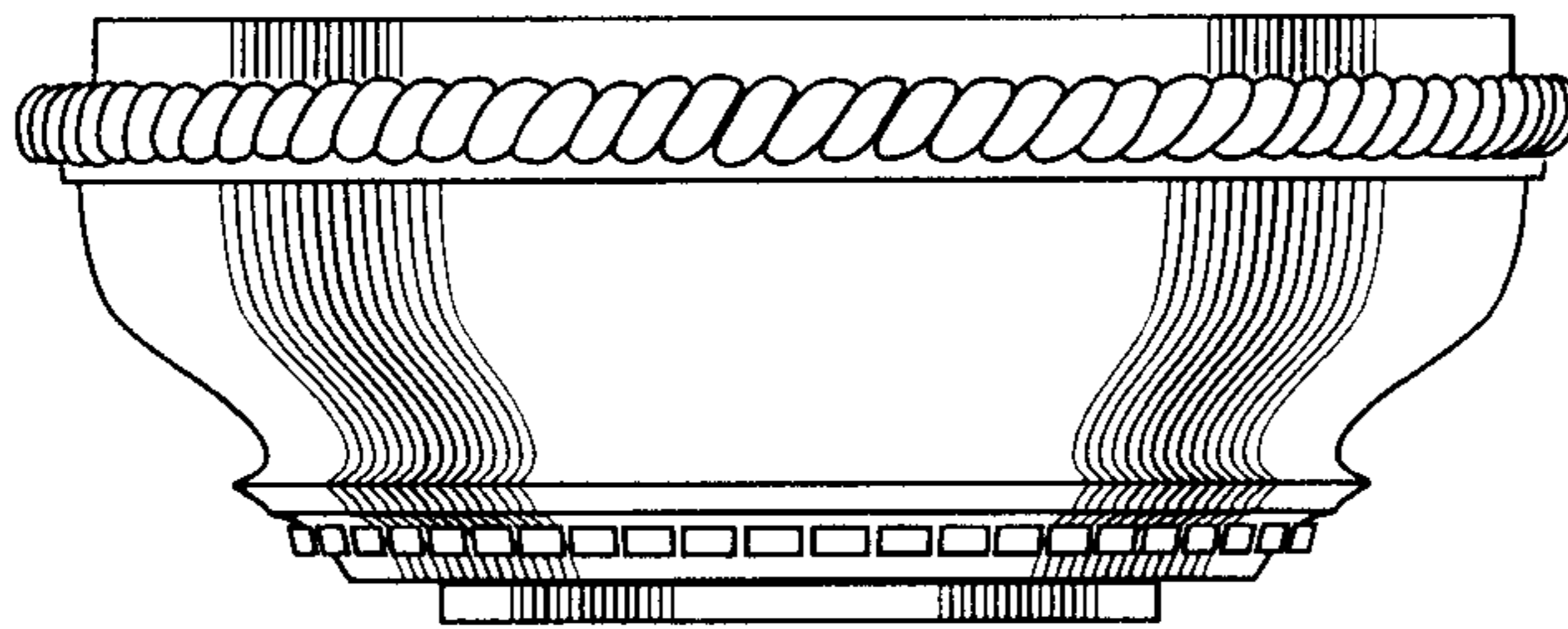




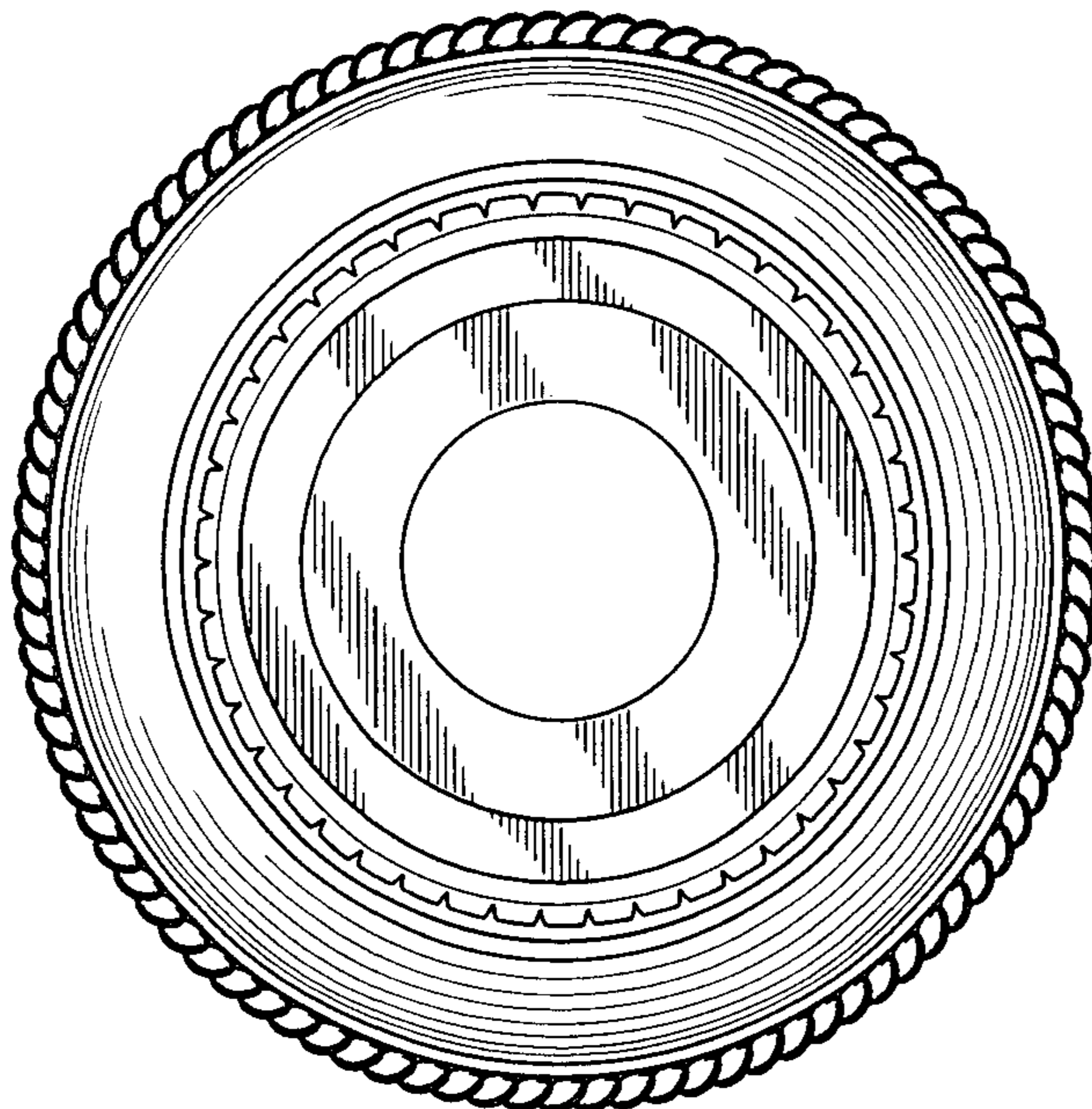
*Fig. 1*



*Fig.2*



*Fig.3*



*Fig.4*